



US00D925971S

(12) **United States Design Patent** (10) **Patent No.:** **US D925,971 S**
Dai (45) **Date of Patent:** **** Jul. 27, 2021**

(54) **CONTAINER LID**
(71) Applicant: **Yi Dai**, Shenzhen (CN)
(72) Inventor: **Yi Dai**, Shenzhen (CN)
(73) Assignee: **ShenZhen YiHong Technology Co., LTD**, ShenZhen (CN)
(**) Term: **15 Years**
(21) Appl. No.: **29/663,962**
(22) Filed: **Sep. 20, 2018**
(51) **LOC (13) Cl.** **07-02**
(52) **U.S. Cl.**
USPC **D7/391**
(58) **Field of Classification Search**
USPC D7/391, 392, 392.1, 393, 397, 591,
D7/601-605, 615, 629-630, 538-542;
D9/414, 424-432, 435, 439, 449,
D9/451-452
CPC A47J 36/027; A47J 36/06; A47J 37/10;
A47J 37/101; B65D 21/0209; B65D
39/12; B65D 43/00; B65D 43/02; B65D
43/0206; B65D 43/022; B65D 43/161;
B65D 43/162; B65D 45/00; B65D 45/16;
B65D 45/18; B65D 51/16; B65D
51/1683; B65D 51/1688; B65D 51/1694;
B65D 2251/00; B65F 1/1615
See application file for complete search history.

(56) **References Cited**
U.S. PATENT DOCUMENTS
D326,391 S * 5/1992 Verchere D34/7
D619,424 S * 7/2010 Yang D7/615
8,186,527 B2 * 5/2012 Liu B65D 39/12
215/317
D673,808 S * 1/2013 Grider D7/391
D708,486 S * 7/2014 Terracciano D7/629

D759,434 S * 6/2016 Duvigneau D7/629
D773,931 S * 12/2016 Liu D9/449
D807,692 S * 1/2018 Yao D7/392.1
D828,754 S * 9/2018 Liu D9/439
D859,084 S * 9/2019 Lee D7/591
D878,202 S * 3/2020 Benishai D9/439

OTHER PUBLICATIONS

Airtight Food Storage Containers,Vtopmart 7 Pieces BPA Free Plastic Cereal Containers with Easy Lock Lids. Date First Available on Amazon.com Apr. 16, 2018. <https://www.amazon.com/dp/B07C79SGBC> (Year: 2018).*

* cited by examiner

Primary Examiner — Ricky Pham
(74) *Attorney, Agent, or Firm* — iPA & iPM

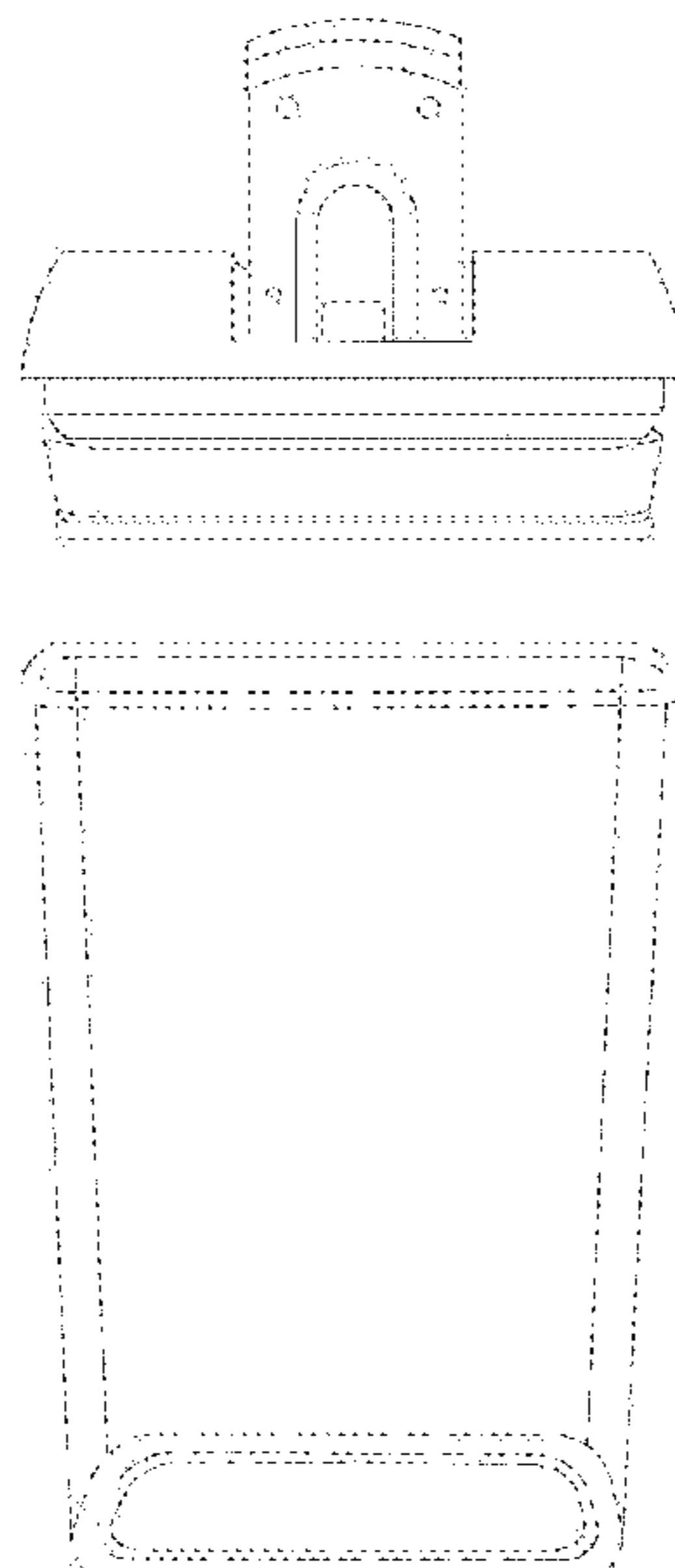
(57) **CLAIM**

The ornamental design of a container lid, as shown and described.

DESCRIPTION

FIG. 1 is a front perspective view of a container lid according to my new design;
FIG. 2 is a top plan view of the container lid shown in FIG. 1;
FIG. 3 is a right side elevational view of the container lid shown in FIG. 1;
FIG. 4 is a bottom plan view of the container lid shown in FIG. 1;
FIG. 5 is a left side elevational view of the container lid shown in FIG. 1; and,
FIG. 6 is an enlarged rear elevational view of the container lid shown in FIG. 1.
The broken lines shown in the drawings are for illustrative purposes only and form no part of the claimed design.

1 Claim, 6 Drawing Sheets



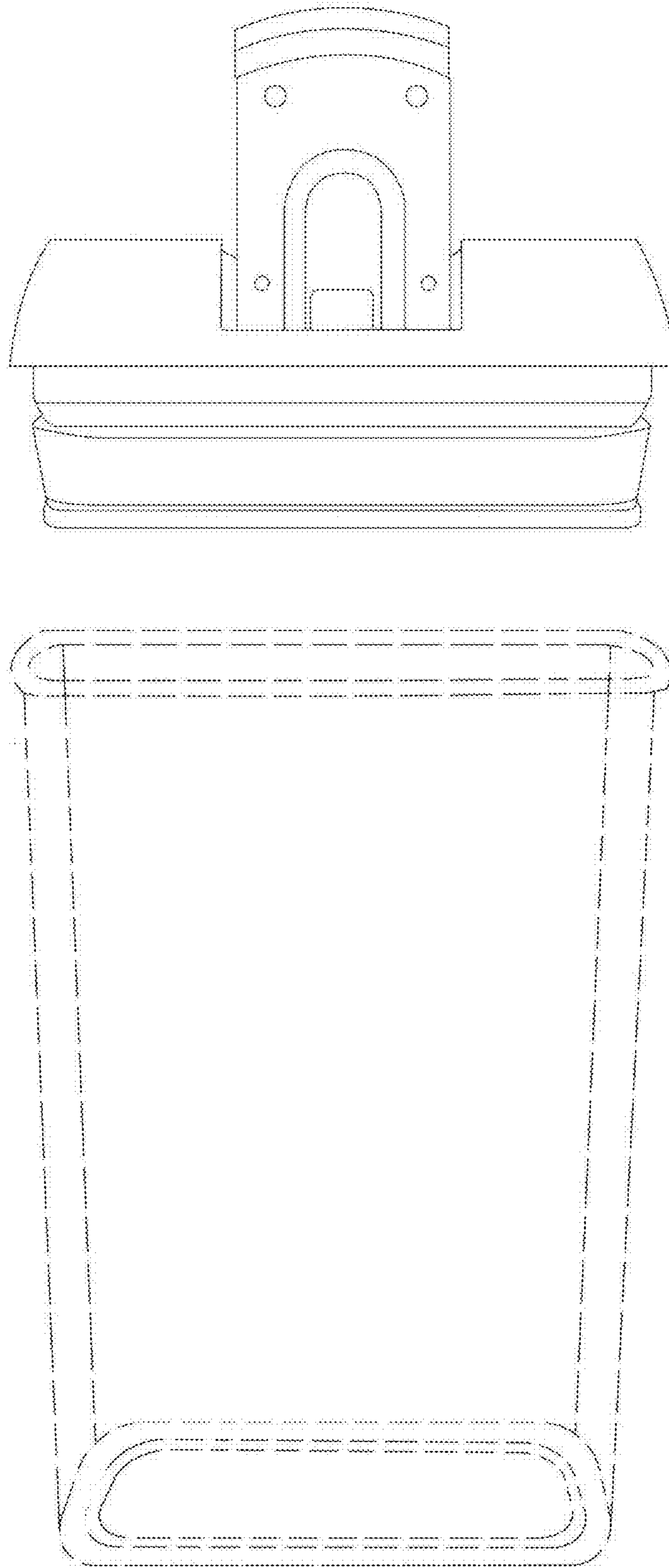


Figure 1

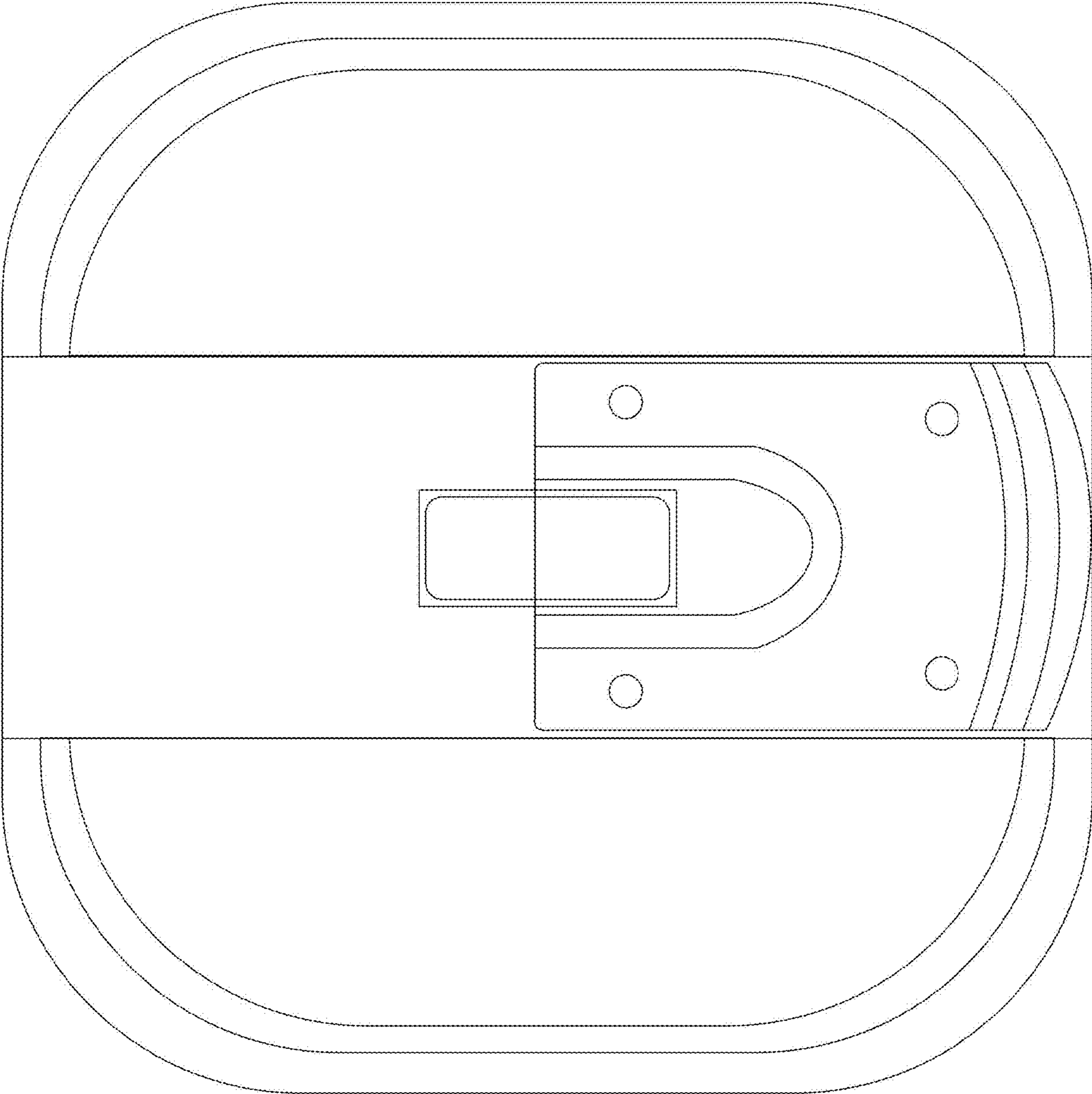


Figure 2

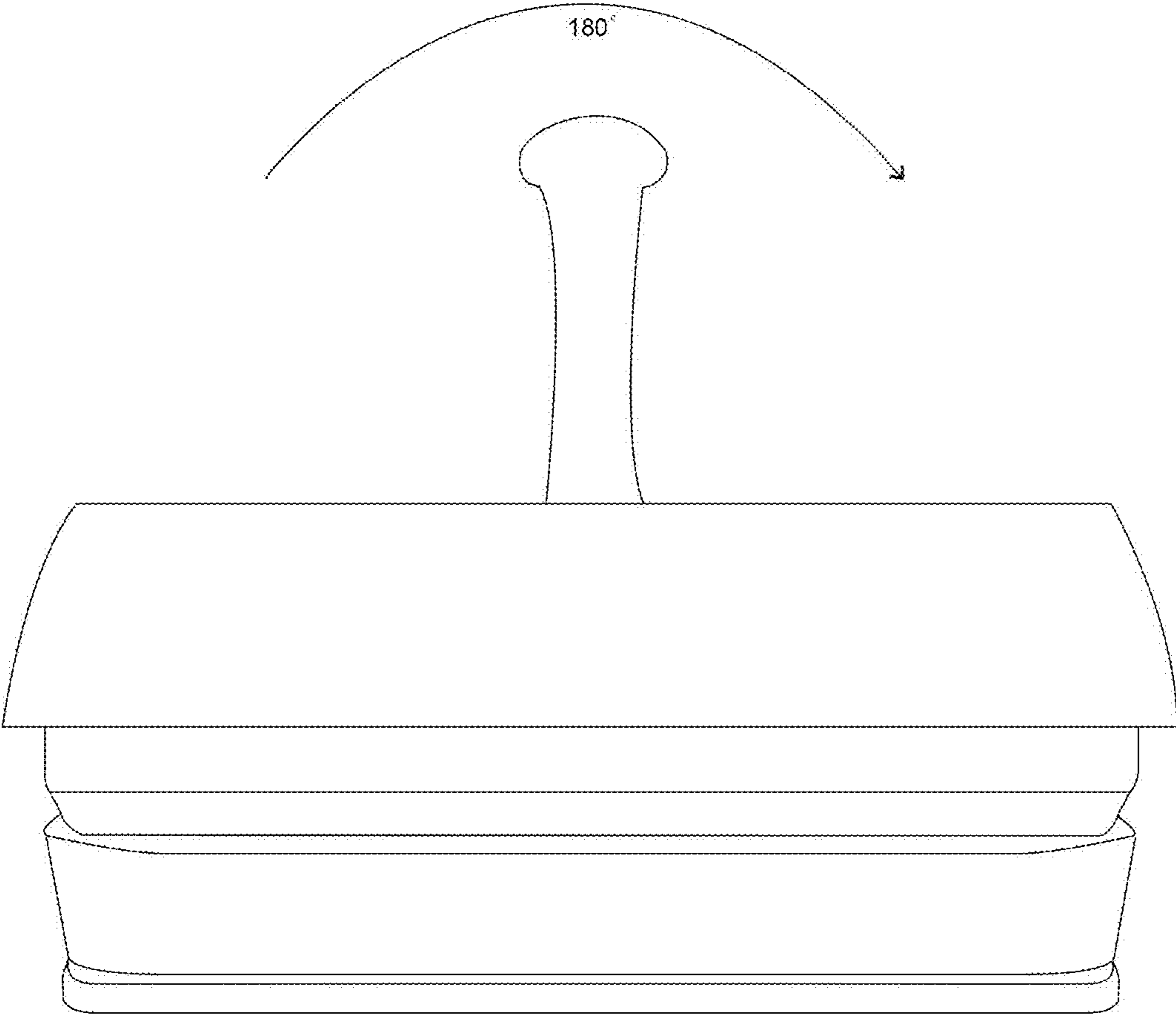


Figure 3

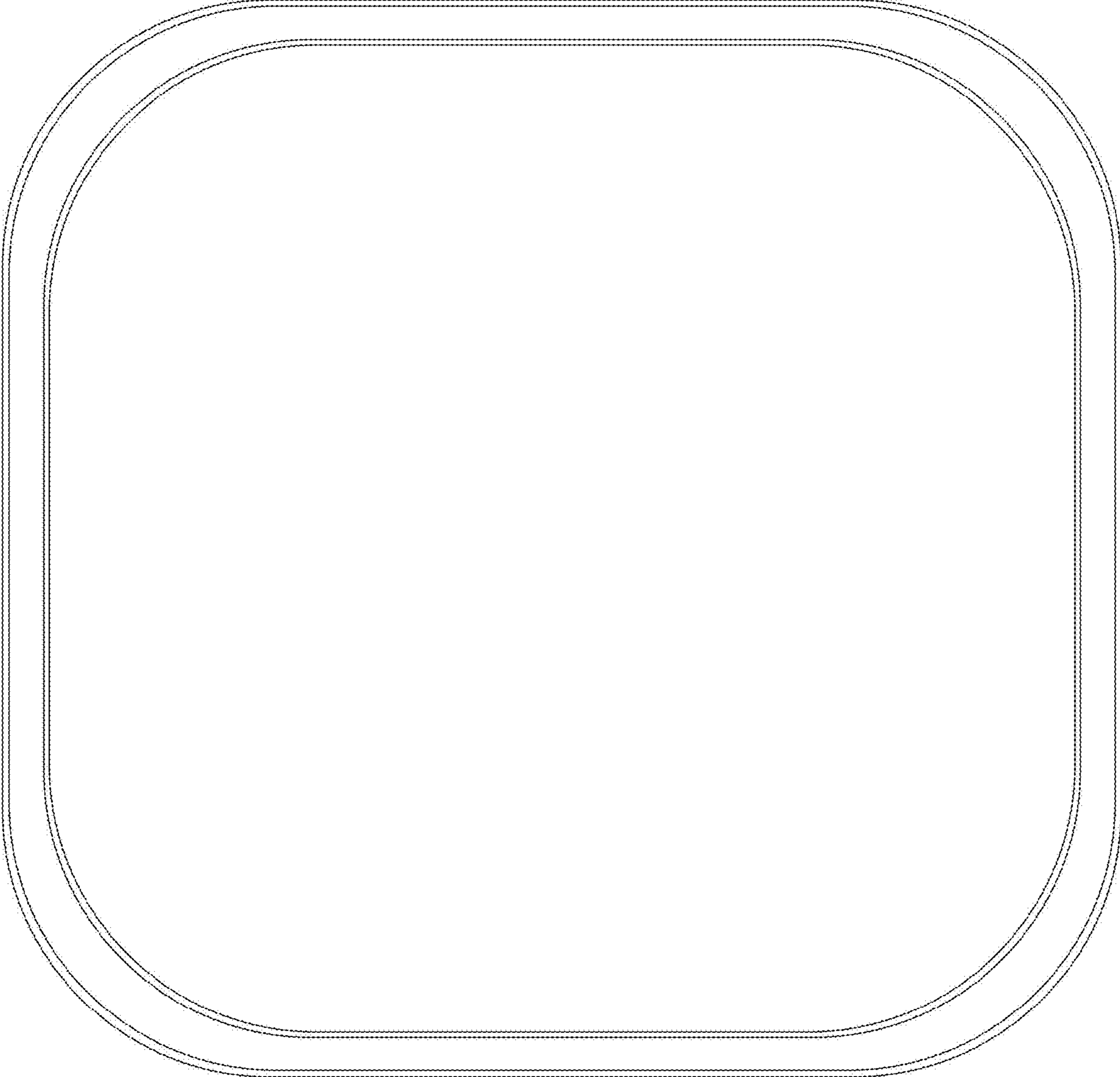


Figure 4

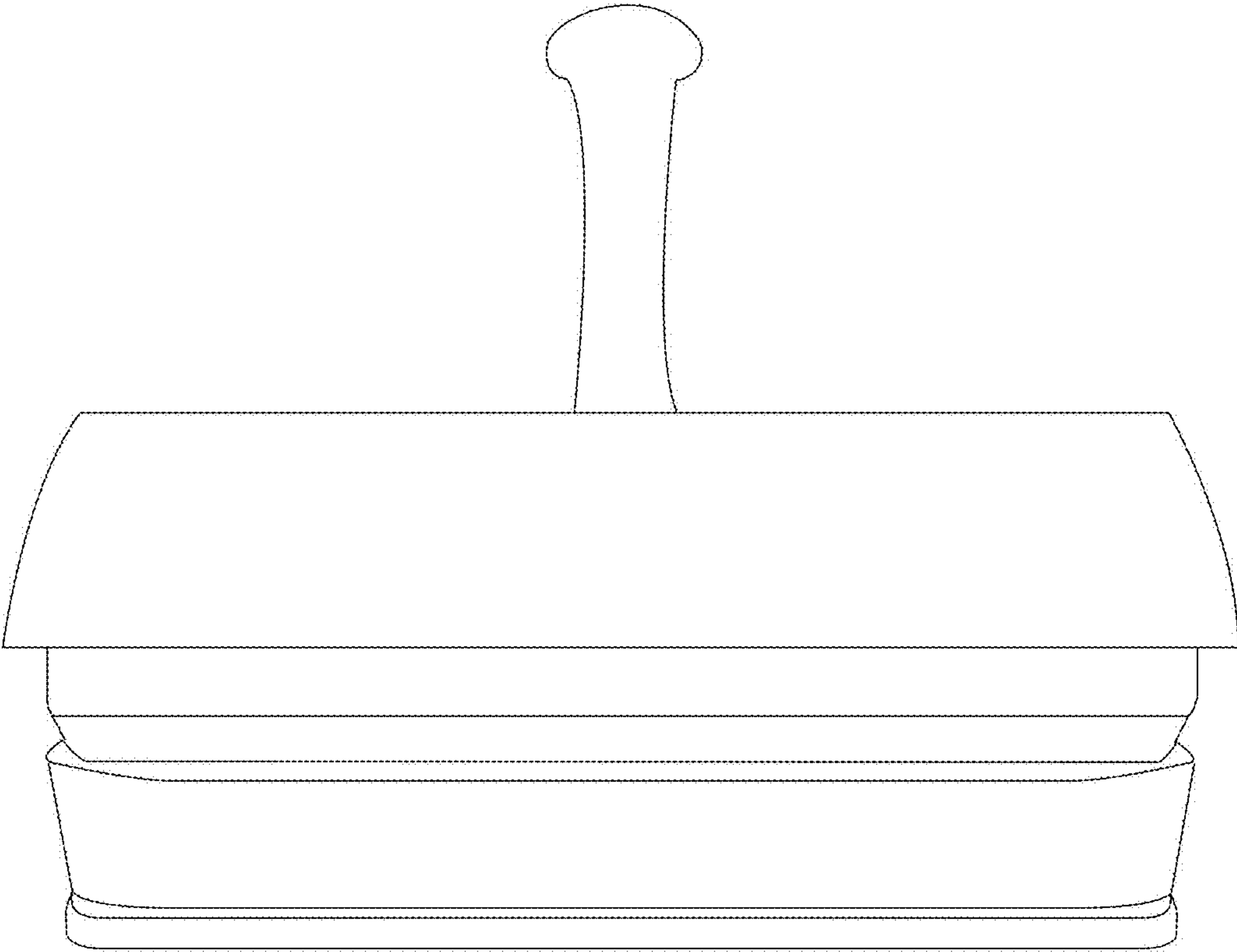


Figure 5

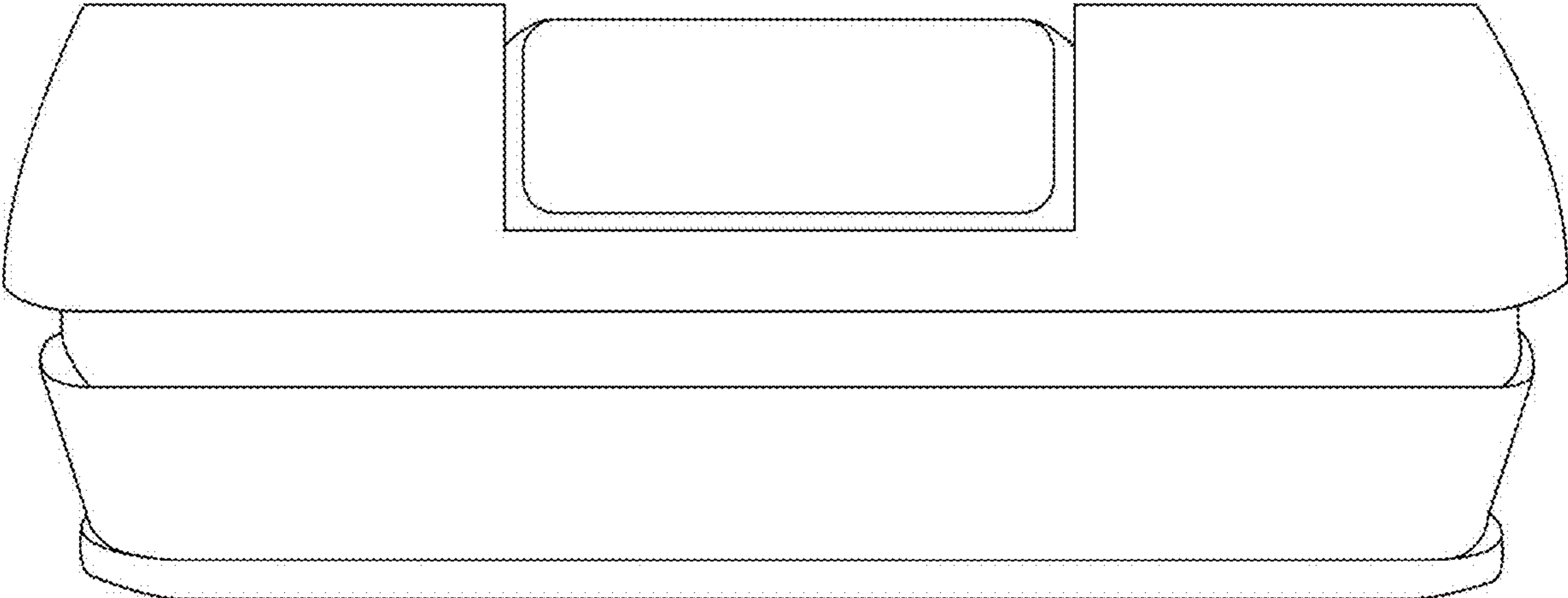


Figure 6