



US00D925970S

(12) **United States Design Patent** (10) **Patent No.:** **US D925,970 S**
McConnell et al. (45) **Date of Patent:** **** Jul. 27, 2021**

(54) **BEATER ATTACHMENT FOR AN ELECTRIC MIXER**

(56) **References Cited**

(71) Applicant: **WHIRLPOOL CORPORATION**,
Benton Harbor, MI (US)

(72) Inventors: **John W. McConnell**, St. Joseph, MI
(US); **Yifan Wang**, St. Joseph, MI
(US); **Wenkai Wu**, Aurora, IL (US)

(73) Assignee: **Whirlpool Corporation**, Benton
Harbor, MI (US)

(**) Term: **15 Years**

(21) Appl. No.: **29/764,410**

(22) Filed: **Dec. 30, 2020**

U.S. PATENT DOCUMENTS

2,552,972 A	5/1951	Jepson	
D170,884 S	11/1953	Morgan	
D173,624 S	* 12/1954	Madl	D7/379
D178,266 S	7/1956	Swann	
D178,543 S	* 8/1956	Seyfried	D7/379
D204,408 S	4/1966	Fischer	
D210,682 S	4/1968	De Fano et al.	
D255,760 S	7/1980	Ernest et al.	

(Continued)

FOREIGN PATENT DOCUMENTS

EP	2488288 A1	8/2012
WO	2015022169 A1	2/2015

OTHER PUBLICATIONS

Elechomes Hand Mixer Electric. Date First reviewed on Amazon.com Jul. 13, 2020 <https://www.amazon.com/dp/B089GL8HZ2/ref> (Year: 2020).*

Primary Examiner — Ricky Pham

(74) *Attorney, Agent, or Firm* — Price Heneveld LLP

(57) **CLAIM**

The ornamental design for a beater attachment for an electric mixer, as shown and described.

DESCRIPTION

FIG. 1 is a perspective view of a beater attachment for an electric mixer according to the design; FIG. 2 is a front elevation view thereof, a back elevation view being identical thereto; FIG. 3 is a right side elevation view thereof, a left side elevation view being identical thereto; FIG. 4 is a top plan view thereof; and, FIG. 5 is a bottom plan view thereof. The portions of the article shown in broken line form no part of the claimed design.

Related U.S. Application Data

(63) Continuation of application No. 29/741,998, filed on Jul. 17, 2020, now Pat. No. Des. 911,096, which is a continuation of application No. 29/682,091, filed on Mar. 1, 2019, now Pat. No. Des. 892,539.

(51) **LOC (13) Cl.** **31-00**

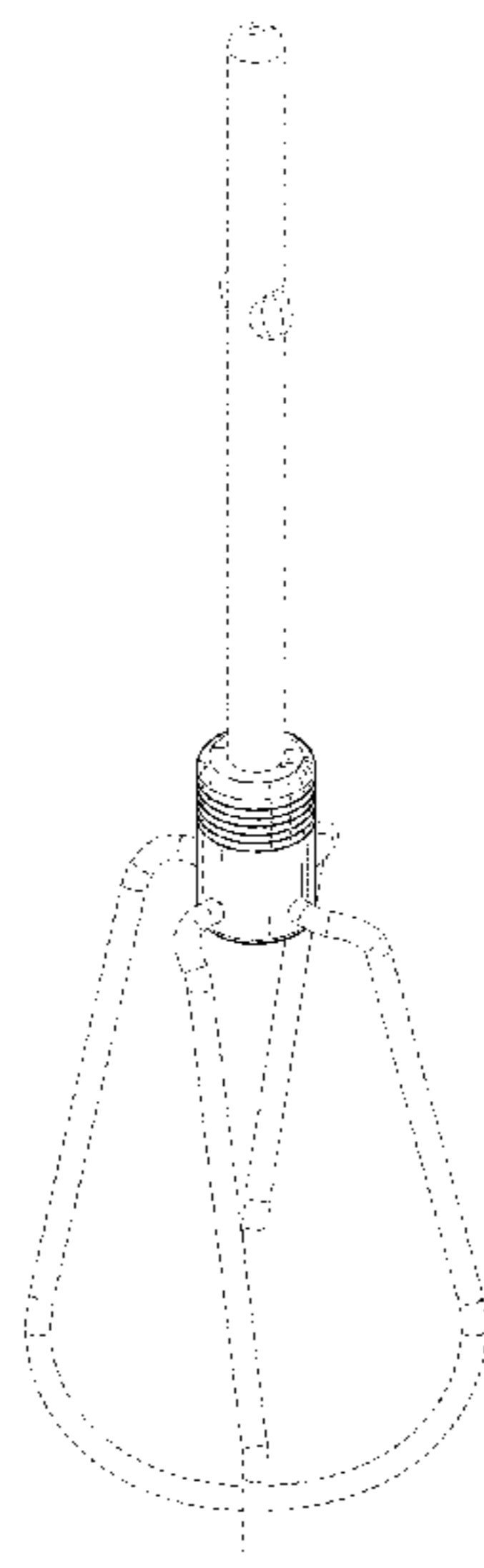
(52) **U.S. Cl.**
USPC **D7/379**; D7/376

(58) **Field of Classification Search**

USPC D7/372, 376–386, 412–413, 602, 629,
D7/665–666, 669, 679, 693–694
CPC A21C 1/02; A21C 1/04; A23N 1/00; A23N
1/02; A47J 43/04; A47J 43/25; A47J
43/27; A47J 43/042; A47J 43/044; A47J
43/046; A47J 43/075; A47J 43/0722;
A47J 43/0727; B01F 3/00; B01F 3/0807;
B01F 3/0853; B01F 13/0059; B01F
13/0064; B02C 1/08; B02C 2/04; B02C
4/42; B02C 4/142; B02C 4/143; B02C
4/423; B02C 13/1835; B28C 5/10; B28C
5/12; B28C 5/14; B28C 5/16

See application file for complete search history.

1 Claim, 4 Drawing Sheets



(56)

References Cited

U.S. PATENT DOCUMENTS

4,568,193	A	2/1986	Contri et al.	D478,467	S	8/2003	Holderfield et al.	
D329,165	S	9/1992	Doggett	6,637,925	B1	10/2003	Beaudet et al.	
D329,166	S	9/1992	Doggett	6,726,353	B1	4/2004	Beaudet et al.	
D336,405	S	6/1993	Maass	D504,592	S	5/2005	Wanat	
D337,667	S	7/1993	Lovett	D539,603	S	4/2007	Holderfield et al.	
D362,783	S	10/1995	Cruz	D540,115	S	4/2007	Picozza et al.	
D367,400	S	2/1996	Viemeister et al.	7,314,308	B2	1/2008	Fallowes et al.	
D387,244	S	12/1997	Ivy et al.	D588,865	S	3/2009	Ferraby	
D392,505	S	3/1998	Tanaka et al.	D593,360	S	6/2009	Lee	
D396,991	S	8/1998	Lallemand	7,690,836	B2	4/2010	Busick	
D400,049	S	10/1998	Wanat et al.	D628,012	S	11/2010	Bodum	
D416,168	S	11/1999	Huang	D665,223	S	8/2012	Haley et al.	
5,979,850	A	11/1999	Hippen et al.	D665,224	S	8/2012	Benoit et al.	
D418,010	S	12/1999	Chan	D665,618	S	8/2012	Ho	
D419,365	S	1/2000	Endres	D703,480	S	* 4/2014	Lownds D7/379	
D419,366	S	1/2000	Tse	D756,165	S	5/2016	Lee et al.	
D433,593	S	11/2000	Mattijssen	D807,109	S	1/2018	Ho et al.	
6,234,663	B1	5/2001	Lecerf et al.	D818,762	S	* 5/2018	Carlson D7/379	
D471,758	S	3/2003	Wilson	D845,697	S	4/2019	Gordon et al.	
D475,264	S	6/2003	Kondo et al.	D859,912	S	* 9/2019	Powell D7/379	
6,572,254	B1	6/2003	Marriere et al.	D892,539	S	8/2020	McConnell et al.	
6,585,403	B2	7/2003	Krall et al.	D911,096	S	* 2/2021	McConnell D7/379	
				D911,767	S	* 3/2021	Koszylko D7/379	
				2005/0007867	A1	1/2005	Wanat	
				2017/0055775	A1	3/2017	Hoare et al.	

* cited by examiner

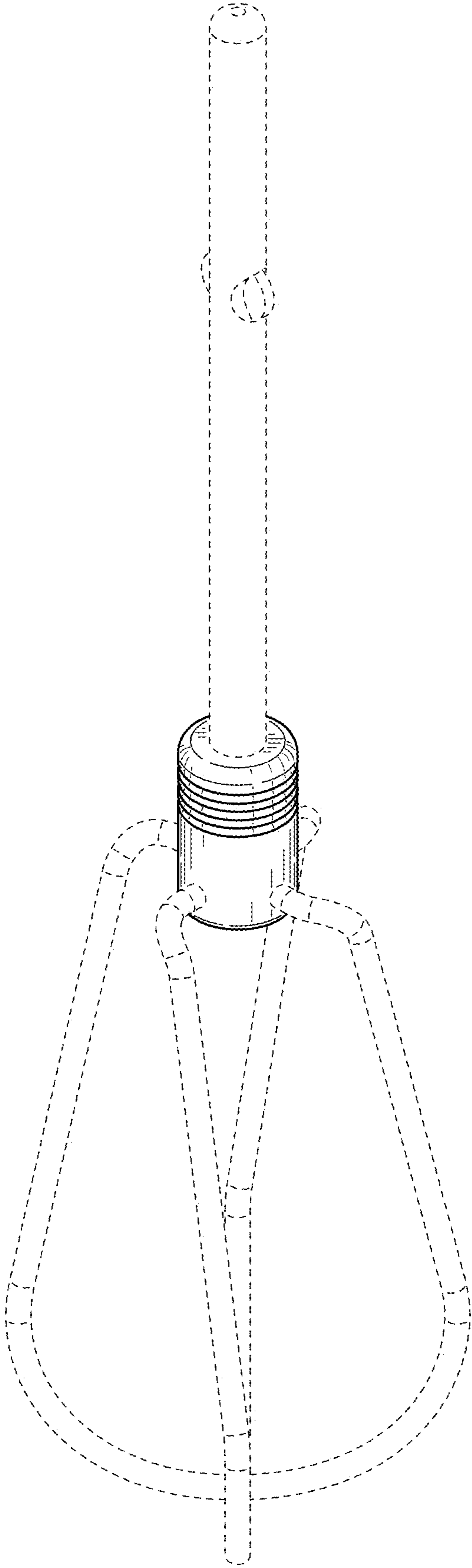


FIG. 1

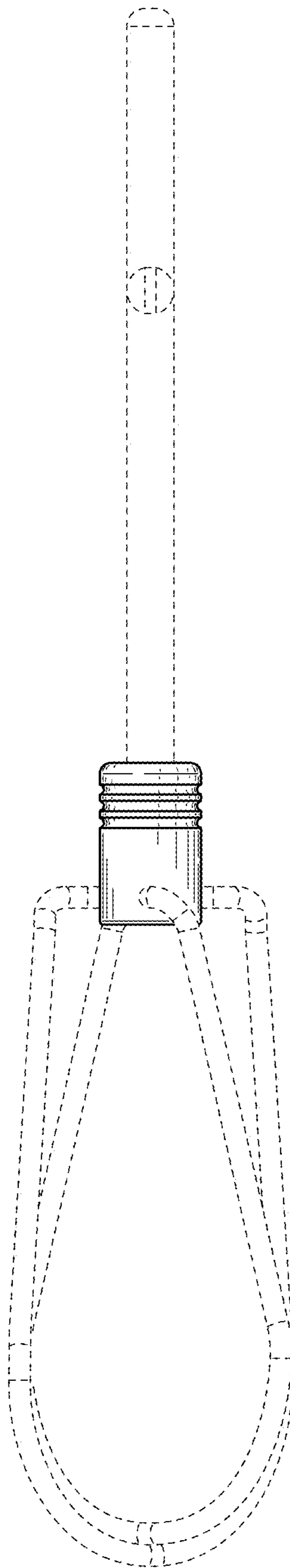


FIG. 2

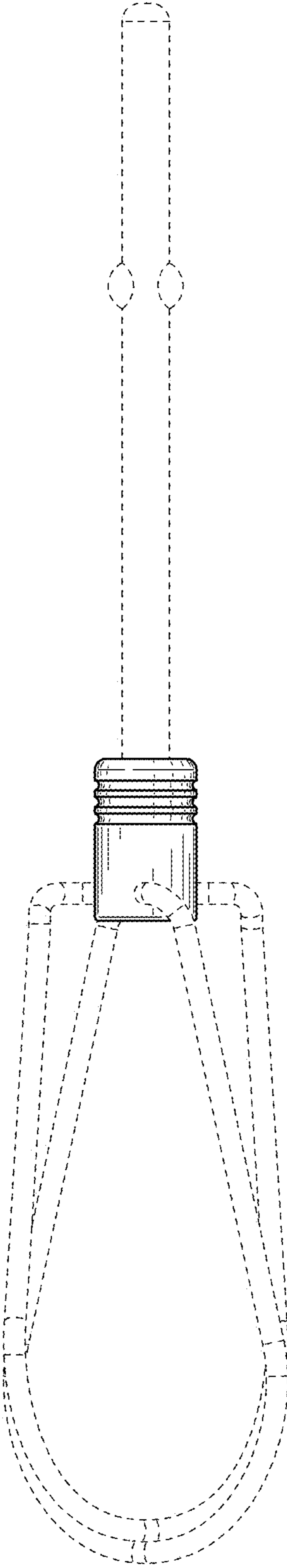


FIG. 3

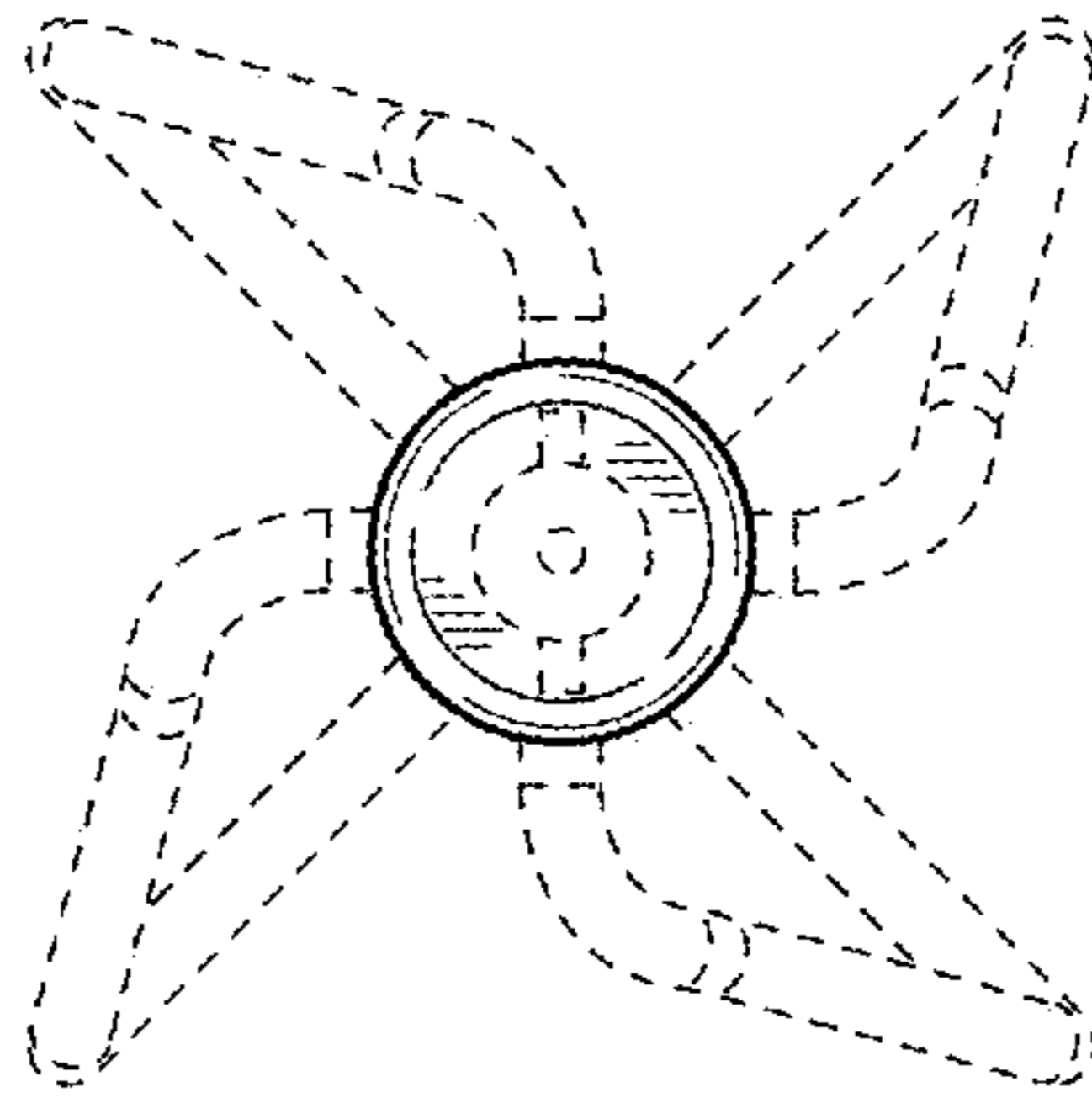


FIG. 4

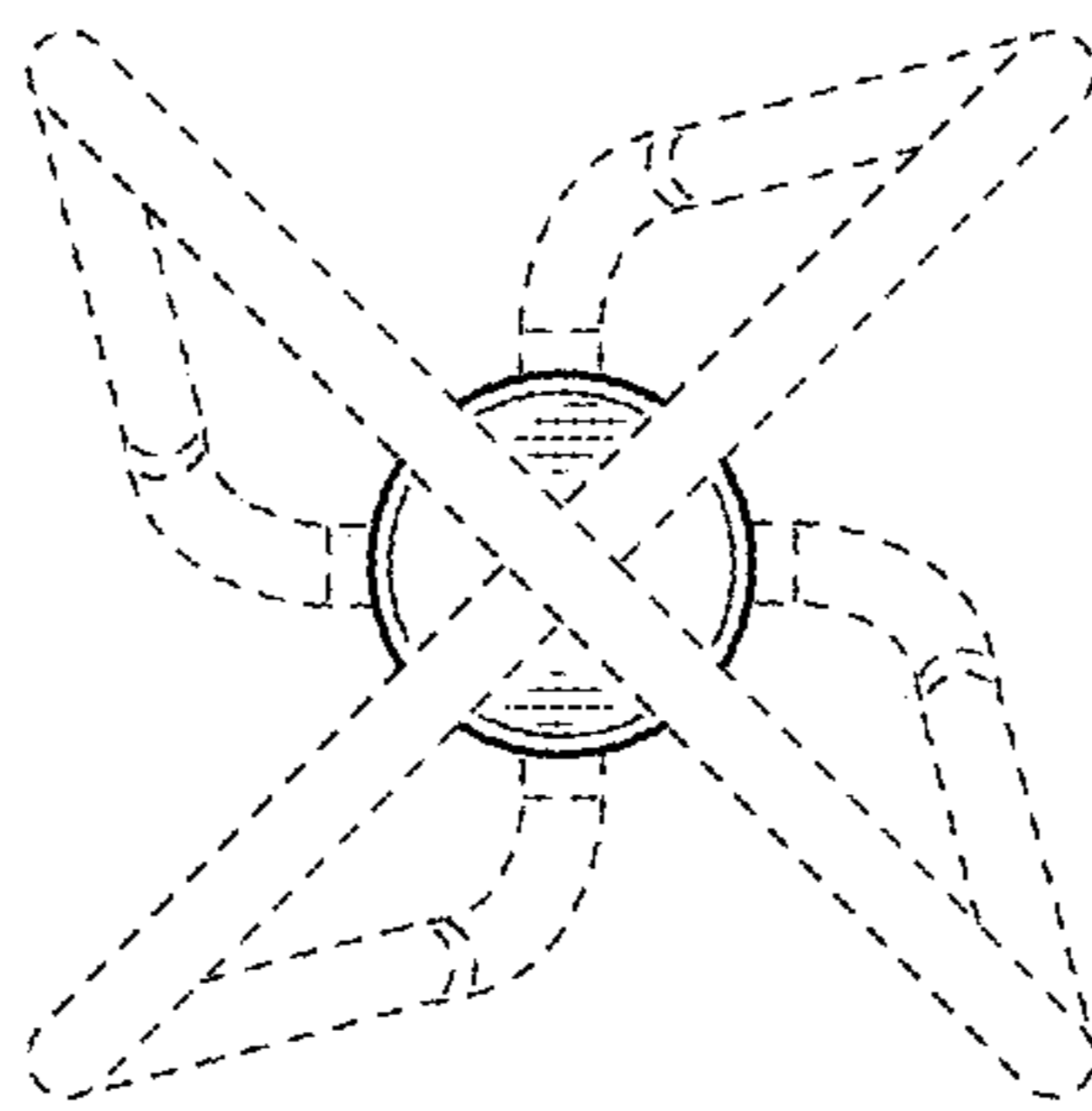


FIG. 5