

US00D925969S

(12) **United States Design Patent** (10) **Patent No.:** **US D925,969 S**
McConnell et al. (45) **Date of Patent:** **** Jul. 27, 2021**

(54) **FOOD GRINDER**

(56)

References Cited

(71) Applicant: **WHIRLPOOL CORPORATION**,
Benton Harbor, MI (US)

(72) Inventors: **John W. McConnell**, St. Joseph, MI
(US); **Nicholas H. Schutte**, St. Joseph,
MI (US); **Brandon T. Mock**, St.
Joseph, MI (US)

(73) Assignee: **Whirlpool Corporation**, Benton
Harbor, MI (US)

(**) Term: **15 Years**

(21) Appl. No.: **29/767,205**

(22) Filed: **Jan. 21, 2021**

U.S. PATENT DOCUMENTS

62,184 A	2/1867	Coe	
100,280 A	3/1870	Gerhard	
243,035 A	6/1881	Geer	
256,214 A	4/1882	Heizmann	
256,800 A	4/1882	Holton	
273,418 A	3/1883	Whittemore	
310,196 A	1/1885	Goodell	
319,905 A	6/1885	Hudson	
360,527 A	4/1887	Hudson	
959,137 A	5/1910	Hinchliffe	
1,006,621 A	10/1911	Arnold	
1,008,555 A	11/1911	Mower	
1,826,242 A	10/1931	Dehuff	
1,956,492 A	4/1934	China	
2,001,036 A	5/1935	Prince	
2,056,843 A	10/1936	Erro	
2,125,859 A	8/1938	Liebelt	
2,146,710 A	2/1939	Bloomfield	
2,156,645 A	5/1939	Waller	
D118,270 S	* 12/1939	Strauss	D7/372
2,284,155 A	5/1942	Landgraf	
2,305,288 A	12/1942	Cavalleri	
2,409,067 A	10/1946	Reed	
2,410,683 A	11/1946	Marquez	
2,464,993 A	3/1949	Ross	
2,508,868 A	5/1950	Ross	
2,510,934 A	6/1950	Schildknecht	
2,585,255 A	2/1952	Kochner et al.	
2,600,281 A	6/1952	Stichelber	
2,664,002 A	12/1953	Anderson	
2,693,210 A	11/1954	Gustafson	
2,699,737 A	1/1955	Stichelber	
2,722,114 A	11/1955	Kochner	
2,759,830 A	8/1956	Touceda	
2,794,627 A	6/1957	Rodwick	
D181,157 S	* 10/1957	Madl	D7/372
2,905,452 A	9/1959	Appleton	
D186,728 S	11/1959	Talge	
2,946,299 A	7/1960	Clifford	
2,965,145 A	12/1960	Gutfreund	
D192,704 S	5/1962	Giunta	
3,180,627 A	4/1965	Belonga	
3,211,202 A	10/1965	Mason	
3,220,450 A	11/1965	Aronson, II et al.	
3,268,342 A	8/1966	Yatuni	
3,357,469 A	12/1967	Pease et al.	
3,440,150 A	4/1969	Kramer et al.	
RE26,684 E	10/1969	Mason	
D222,209 S	10/1971	Dykes	

Related U.S. Application Data

(63) Continuation of application No. 29/750,558, filed on
Sep. 15, 2020, now Pat. No. Des. 909,118, which is
a continuation of application No. 29/734,669, filed on
May 14, 2020, now Pat. No. Des. 899,179, which is
a continuation of application No. 29/673,407, filed on
Dec. 14, 2018, now Pat. No. Des. 885,822.

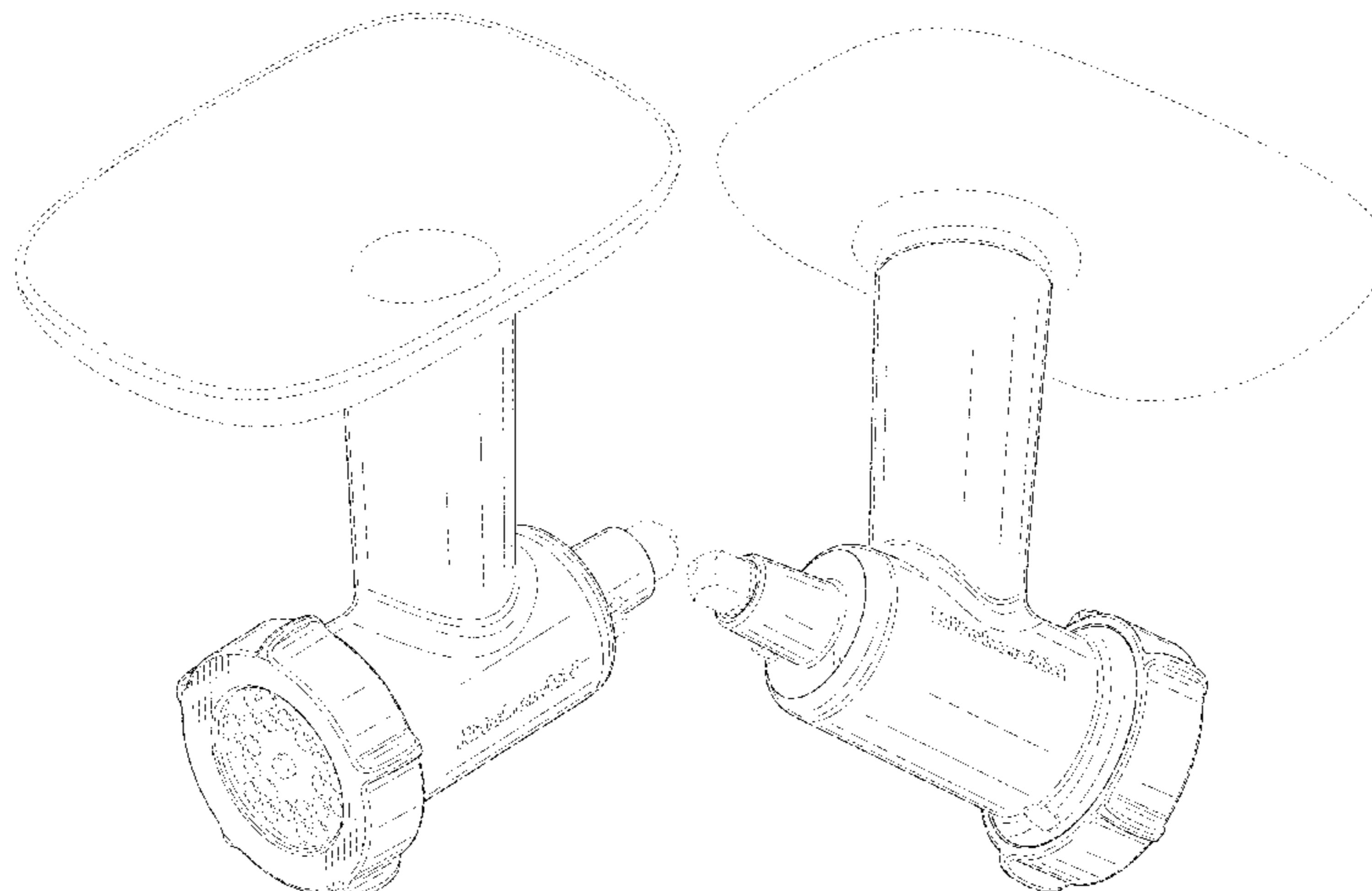
(51) **LOC (13) Cl.** **31-00**

(52) **U.S. Cl.**
USPC **D7/372**

(58) **Field of Classification Search**

USPC D7/372, 376-386, 412-413, 602, 629,
D7/665-666, 669, 679, 693-694
CPC A21C 1/02; A21C 1/04; A23N 1/00; A23N
1/02; A47J 43/04; A47J 43/25; A47J
43/27; A47J 43/042; A47J 43/044; A47J
43/046; A47J 43/07; A47J 43/075; A47J
43/0722; A47J 43/0727; B01F 3/00; B01F
3/0807; B01F 3/0853; B01F 13/0059;
B01F 13/0064; B02C 1/08; B02C 2/04;
B02C 4/42; B02C 4/142; B02C 4/143;
B02C 4/423; B02C 13/1835; B02C 18/36;
B02C 18/2291; B02C 18/305; B28C 5/10;
B28C 5/12; B28C 5/14; B28C 5/16

See application file for complete search history.



US D925,969 S

3,635,147 A	1/1972	Lee		6,053,098 A	4/2000	Yamamoto	
3,838,023 A	9/1974	Friedemann		6,113,966 A	9/2000	Belongia et al.	
D233,123 S	* 10/1974	Rigamonti	D7/372	6,148,169 A	11/2000	Tsukamoto	
3,883,283 A	5/1975	Herrera		6,163,095 A	12/2000	Shams et al.	
D236,283 S	8/1975	McCue		6,188,046 B1	2/2001	Barrow	
D236,425 S	8/1975	McCue		D444,669 S	7/2001	Prot	
3,952,621 A	4/1976	Chambos		6,259,068 B1	7/2001	Barrow	
3,956,517 A	5/1976	Curry et al.		6,270,826 B1	8/2001	Kashulines, Jr. et al.	
3,960,369 A	6/1976	Sommer		6,297,479 B1	10/2001	Wefers	
4,078,481 A	3/1978	Wunderlin		6,321,641 B1	11/2001	Wang	
4,083,756 A	4/1978	Tajkowski		6,373,031 B1	4/2002	Barrow	
4,213,569 A	7/1980	Amiot		6,442,866 B2	9/2002	Wefers	
4,216,917 A	8/1980	Clare et al.		D475,253 S	6/2003	Yip	
4,234,605 A	11/1980	Takeuchi		6,609,455 B2	8/2003	Fouquet	
4,277,181 A	7/1981	Stahly et al.		D484,738 S	1/2004	Wong	
D260,351 S	8/1981	Shun		6,698,338 B2	3/2004	Ancona et al.	
4,332,539 A	6/1982	Zani		6,743,007 B2	6/2004	Backus et al.	
4,337,000 A	6/1982	Lehmann		D495,921 S	9/2004	Lallemand	
4,348,166 A	9/1982	Fowler		6,805,312 B2	10/2004	Capp	
4,390,133 A	6/1983	Wanat		6,854,383 B2	2/2005	Wang	
4,429,624 A	2/1984	Linn		6,948,609 B2	9/2005	Finger et al.	
D276,202 S	11/1984	Shun		7,029,714 B2	4/2006	Mihalos et al.	
4,487,509 A	12/1984	Boyce		7,032,491 B2	4/2006	Fischer	
4,512,522 A	4/1985	Williams		7,063,009 B2	6/2006	Lin	
4,569,851 A	2/1986	Schultz		7,083,040 B2	8/2006	Finger et al.	
4,581,990 A	4/1986	Matsumoto		D531,850 S	11/2006	Wong	
4,619,192 A	10/1986	Cycyk et al.		7,169,450 B2	1/2007	Bunick	
4,628,808 A	12/1986	Simon		7,207,510 B2	4/2007	Wong	
4,649,810 A	3/1987	Wong		7,238,017 B2	7/2007	Marcato	
4,693,610 A	9/1987	Weiss		D551,493 S	9/2007	Marcato	
4,704,959 A	11/1987	Scallen		D553,427 S	10/2007	Ball	
4,714,203 A	12/1987	Williams		7,314,308 B2	1/2008	Fallowes et al.	
4,770,619 A	9/1988	Rijkaart		7,318,666 B1	1/2008	Lin	
D300,400 S	3/1989	Kelly et al.		7,461,589 B2	12/2008	Sinton	
4,817,512 A	4/1989	Vangen		D586,625 S	2/2009	Robins et al.	
4,820,054 A	4/1989	Wong		D610,396 S	2/2010	Chiang	
4,854,717 A	8/1989	Crane et al.		7,775,705 B2	8/2010	Kozlowski et al.	
4,878,627 A	11/1989	Otto		7,827,906 B1	11/2010	Carter	
4,942,807 A	7/1990	Wong		7,887,314 B2	2/2011	Ruhe et al.	
4,959,517 A	9/1990	Jump et al.		D643,265 S	8/2011	Kim et al.	
4,984,512 A	1/1991	Takahashi et al.		7,993,694 B2	8/2011	Goderiaux et al.	
5,022,315 A	6/1991	Bertram et al.		8,091,473 B2	1/2012	Kim	
5,037,382 A	8/1991	Kvorning et al.		8,122,821 B2	2/2012	Sands	
5,054,383 A	10/1991	Cho		8,162,653 B2	4/2012	Marcato	
5,091,046 A	2/1992	Hunter et al.		D660,660 S	5/2012	Kim	
5,272,961 A	12/1993	Campbell et al.		8,210,737 B2	7/2012	Wong	
5,289,760 A	3/1994	Barradas		D665,632 S	8/2012	Kim et al.	
5,363,746 A	11/1994	Gordon		D669,324 S	10/2012	Bodum	
5,402,710 A	4/1995	Chen		D670,138 S	11/2012	Hu	
D362,597 S	9/1995	Kim		D677,975 S	3/2013	Jin et al.	
5,460,506 A	10/1995	Price, IV et al.		8,438,971 B1	5/2013	Thurley	
5,463,937 A	11/1995	Belongia et al.		D683,577 S	6/2013	Cohen	
5,469,782 A	11/1995	Wong		D700,477 S	3/2014	Kim	
5,470,599 A	11/1995	Ruhe		D712,696 S	9/2014	Huber	
5,486,100 A	1/1996	Hsu		D715,094 S	10/2014	Cornu et al.	
5,486,665 A	1/1996	Le Rouzic		D721,548 S	1/2015	Jin	
5,493,955 A	2/1996	Belongia et al.		D721,549 S	* 1/2015	Li	D7/666
5,513,557 A	5/1996	Chiang		D725,439 S	3/2015	Kim	
D370,383 S	6/1996	Brefka		D725,440 S	3/2015	Kim	
5,558,011 A	9/1996	Heim		D743,737 S	7/2015	Ahn et al.	
5,690,022 A	11/1997	Chai		D744,792 S	12/2015	Kim	
5,758,963 A	6/1998	Xie et al.		D747,916 S	1/2016	Wong	
5,770,239 A	6/1998	Ancona		D772,023 S	11/2016	Fritsch et al.	
5,771,784 A	6/1998	Sham		9,500,235 B2	11/2016	Kanning	
5,786,016 A	7/1998	Campbell et al.		D775,491 S	1/2017	Brinkley	
5,816,136 A	10/1998	Stallings		9,775,467 B2	10/2017	Sapire	
5,823,675 A	10/1998	Myerly		9,827,336 B2	11/2017	Bonge-Hansen et al.	
5,839,356 A	11/1998	Dornbush et al.		D811,158 S	2/2018	Yuan	
RE36,155 E	3/1999	Scallen		D834,383 S	11/2018	Bazzicalupo et al.	
5,878,643 A	3/1999	Hwang		D867,051 S	11/2019	McConnell et al.	
5,919,493 A	7/1999	Sheppard et al.		D868,530 S	12/2019	Zhan	
5,935,656 A	8/1999	Koemer et al.		D878,146 S	3/2020	McConnell et al.	
5,950,528 A	9/1999	Wang		D885,822 S	6/2020	McConnell et al.	
5,957,045 A	9/1999	He et al.		D891,853 S	* 8/2020	McConnell	D7/372
D414,983 S	10/1999	Wong		D899,179 S	10/2020	McConnell et al.	
5,970,860 A	* 10/1999	Yip	A47J 43/07 241/169.1	D900,532 S	* 11/2020	Chen	D7/381
				D902,640 S	11/2020	McConnell et al.	
6,024,554 A	2/2000	Lawrence		D909,118 S	* 2/2021	McConnell	D7/372
6,035,766 A	3/2000	Schirmer		2001/0019778 A1	9/2001	Gardaz et al.	

2001/0028909	A1	10/2001	Kashulines, Jr. et al.	
2001/0032856	A1	10/2001	Casey	
2002/0006464	A1	1/2002	Wefers	
2002/0181322	A1	12/2002	Brunswick et al.	
2004/0001387	A1	1/2004	Haller et al.	
2004/0145965	A1	7/2004	Chan et al.	
2005/0058018	A1	3/2005	Hooper et al.	
2005/0120888	A1	6/2005	Wang	
2005/0257692	A1	11/2005	Marcato	
2006/0044935	A1	3/2006	Benelli et al.	
2006/0117961	A1	6/2006	Guo	
2006/0243837	A1*	11/2006	Wong	B02C 18/305 241/82.1
2006/0254429	A1	11/2006	Sinton	
2008/0213447	A1	9/2008	Payen et al.	
2008/0271609	A1	11/2008	Pahl et al.	
2009/0064875	A1	3/2009	Trovinger	
2009/0090254	A1	4/2009	Herren	
2009/0120301	A1	5/2009	Severnak	
2009/0310436	A1	12/2009	Huang et al.	
2010/0012639	A1	1/2010	Merrell et al.	
2010/0028514	A1	2/2010	Goderiaux et al.	
2010/0147160	A1	6/2010	Oochi	
2010/0196529	A1	8/2010	Marcato	
2010/0308142	A1	12/2010	Krasznai et al.	
2011/0017750	A1	1/2011	Fortkamp	
2011/0063941	A1	3/2011	Seidler et al.	
2011/0185917	A1	8/2011	Goderiaux et al.	
2011/0214574	A1	9/2011	Chang	
2011/0248108	A1	10/2011	Carriere	
2012/0042786	A1	2/2012	Fedell	
2012/0138716	A1	6/2012	Taguchi et al.	
2012/0216687	A1*	8/2012	Trovinger	A23N 1/02 99/510
2012/0227592	A1	9/2012	Lim et al.	
2013/0074700	A1	3/2013	Cheung	
2013/0074707	A1	3/2013	Asbury et al.	
2015/0000534	A1	1/2015	Hager et al.	
2015/0098299	A1	4/2015	Sapire	
2015/0201787	A1	7/2015	Holzbauer et al.	
2015/0238042	A1	8/2015	Tonelli et al.	
2016/0143484	A1*	5/2016	Palmer	B02C 18/36 241/82.1
2016/0332166	A1	11/2016	Chen	
2017/0135526	A1	5/2017	Conti et al.	
2018/0099289	A1*	4/2018	Moore	B02C 18/2291

FOREIGN PATENT DOCUMENTS

DE	202010012730	U1	12/2010
EP	0405636	B1	9/1993

EP	1230857	A1	8/2002
EP	1430824	A1	6/2004
EP	2269491	A1	1/2011
EP	2508110	A1	10/2012
FR	2447703		8/1980
FR	2939298	A1	6/2010
JP	2010029103	A	2/2010
WO	9415511	A1	7/1994
WO	2009016465	A2	2/2009
WO	2009141699	A2	11/2009

OTHER PUBLICATIONS

“Fulfilling Finishing Needs in the Auto Industry”; Electro Polish; Black Oxide, Aluminum Anodizing, Passivation; Dayton, Ohio; pp. 1-3; 2013.
Charles A. Grubbs; “Anodizing of Aluminum”; Consultant, Alpharetta, GA.; pp. 478-493; date unknown.

* cited by examiner

Primary Examiner — Ricky Pham

(74) Attorney, Agent, or Firm — Price Heneveld LLP

(57) CLAIM

The ornamental design for a food grinder, as shown and described.

DESCRIPTION

FIG. 1 is a top-front perspective view of a food grinder according to our design;
FIG. 2 is a front elevation view thereof;
FIG. 3 is a back elevation view thereof;
FIG. 4 is a right side elevation view thereof;
FIG. 5 is a left side elevation view thereof;
FIG. 6 is a top plan view thereof; and
FIG. 7 is a bottom plan view thereof; and,
FIG. 8 is a bottom-back perspective view thereof.
The portions of the article shown in even broken line form no part of the claimed design.
Dash-dot-dash broken lines adjacent un-shaded areas represent bounds of the claimed design and form no part of the claimed design themselves.

1 Claim, 8 Drawing Sheets

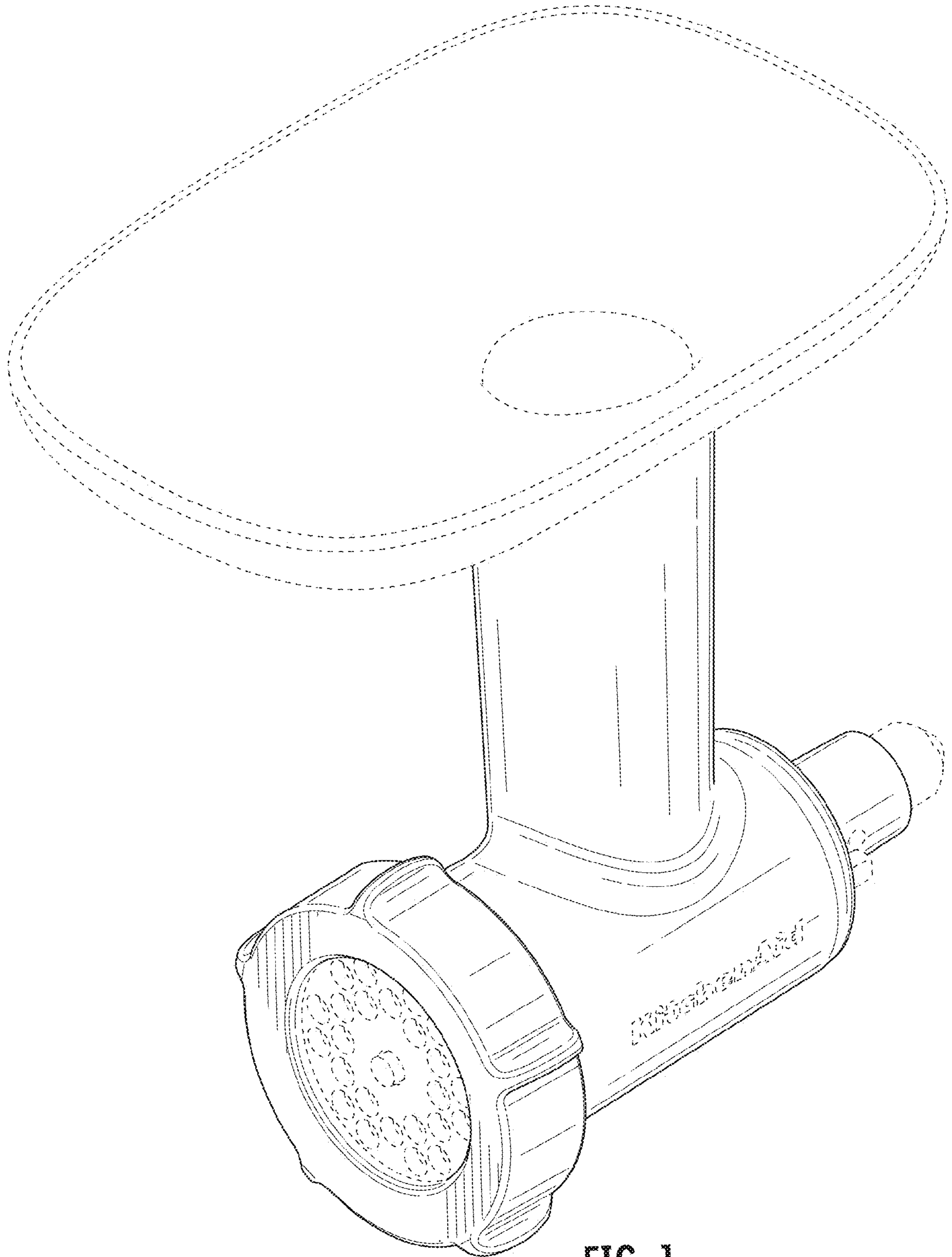


FIG. 1

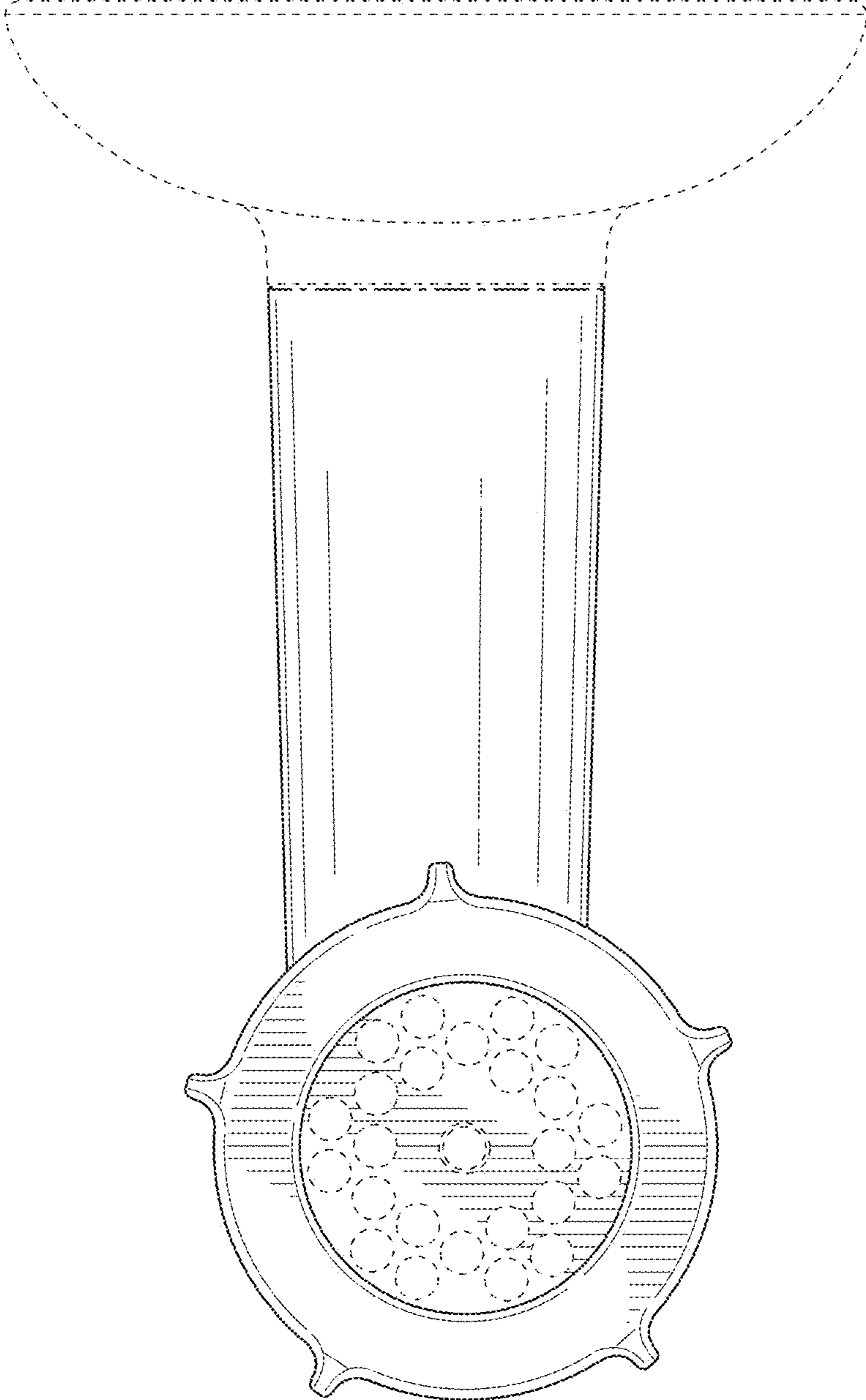


FIG. 2

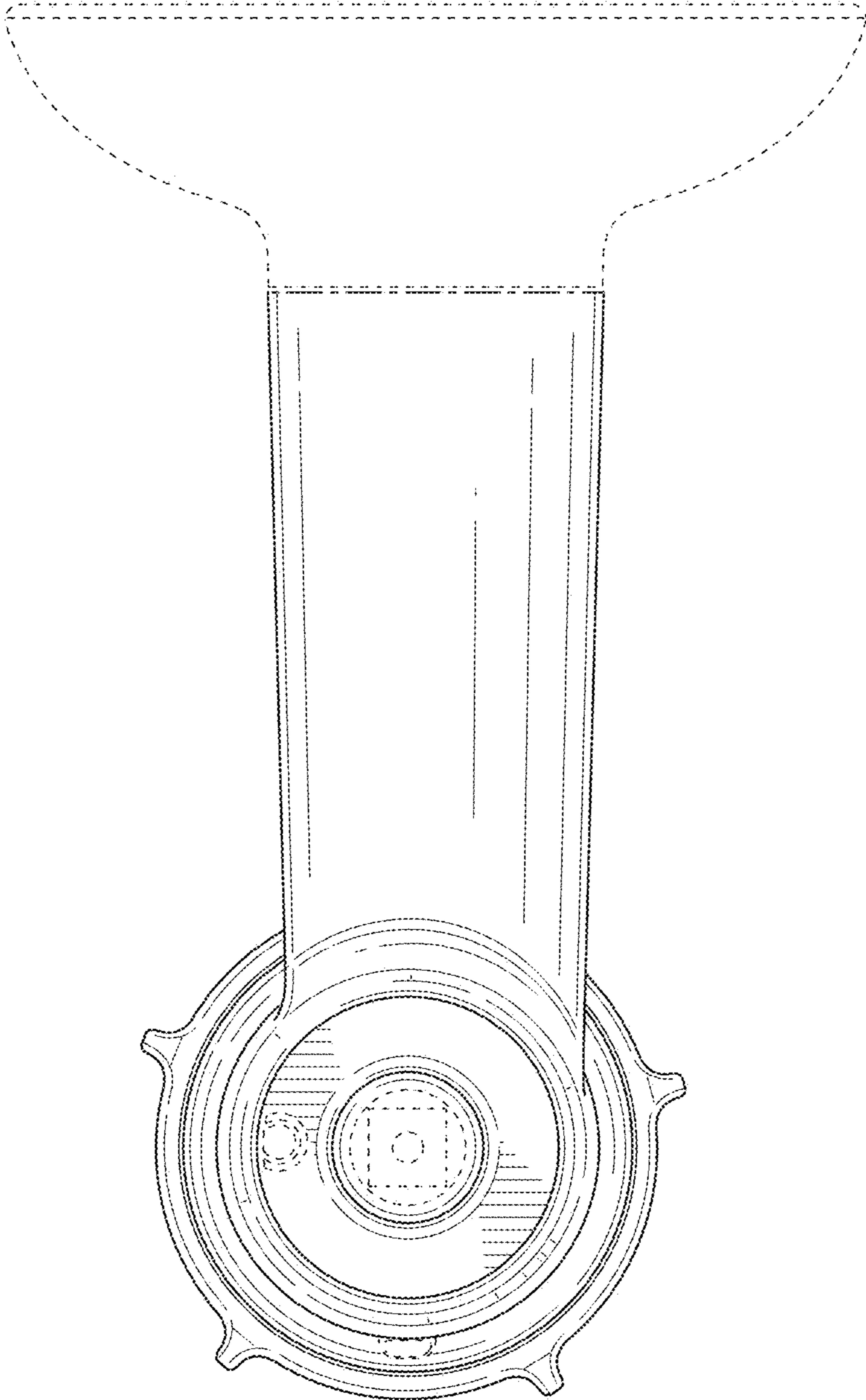


FIG. 3

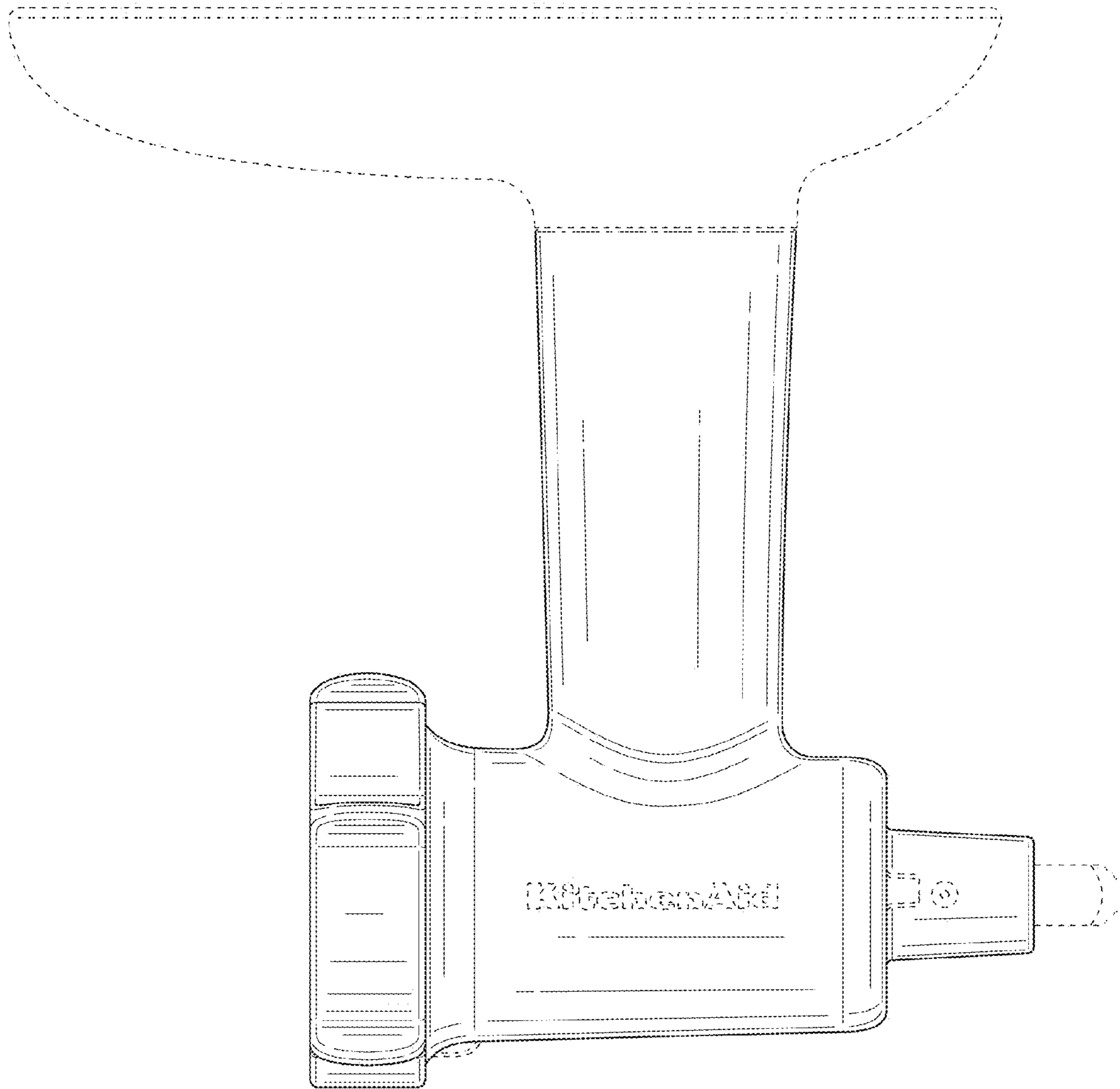


FIG. 4

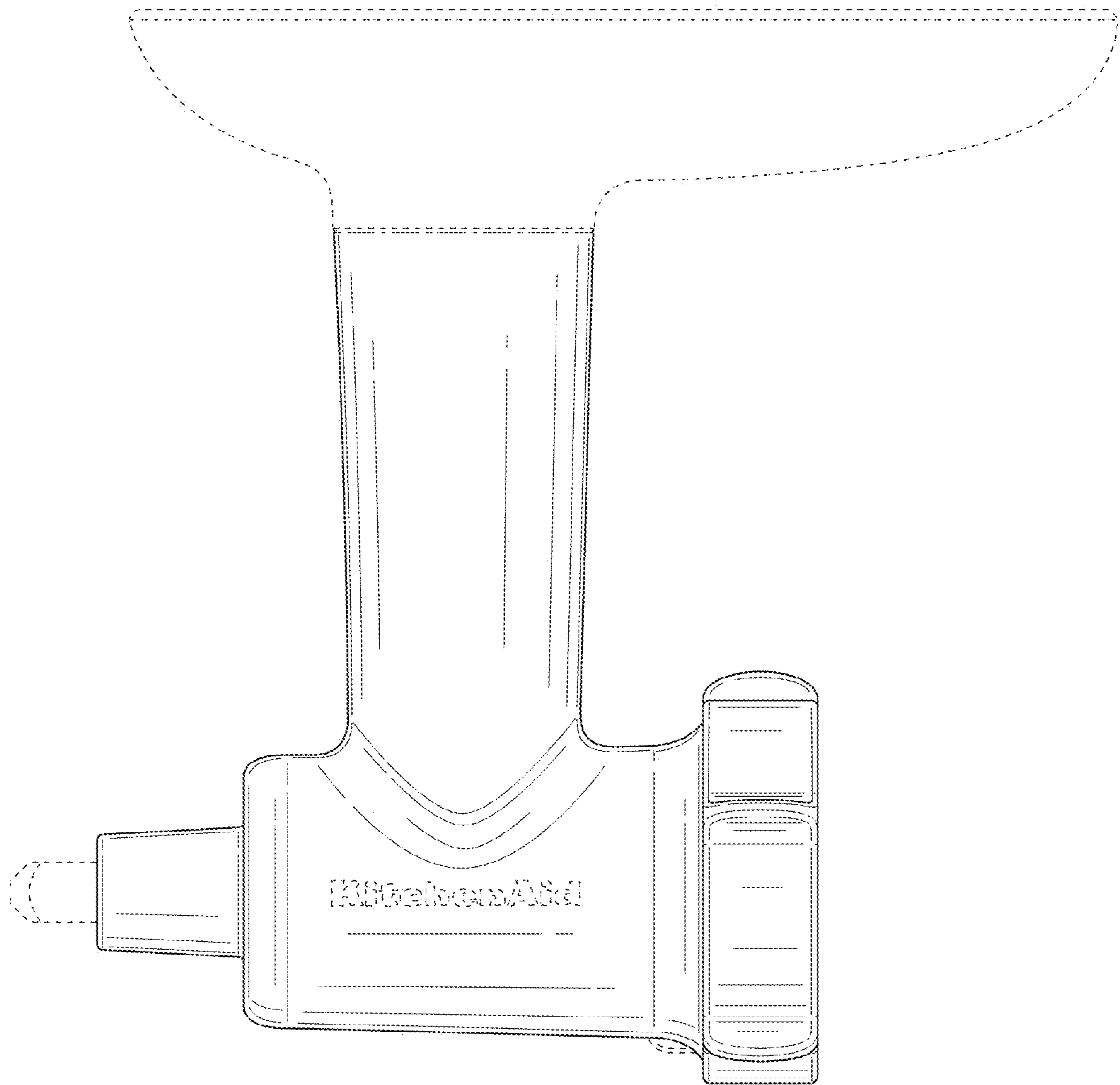


FIG. 5

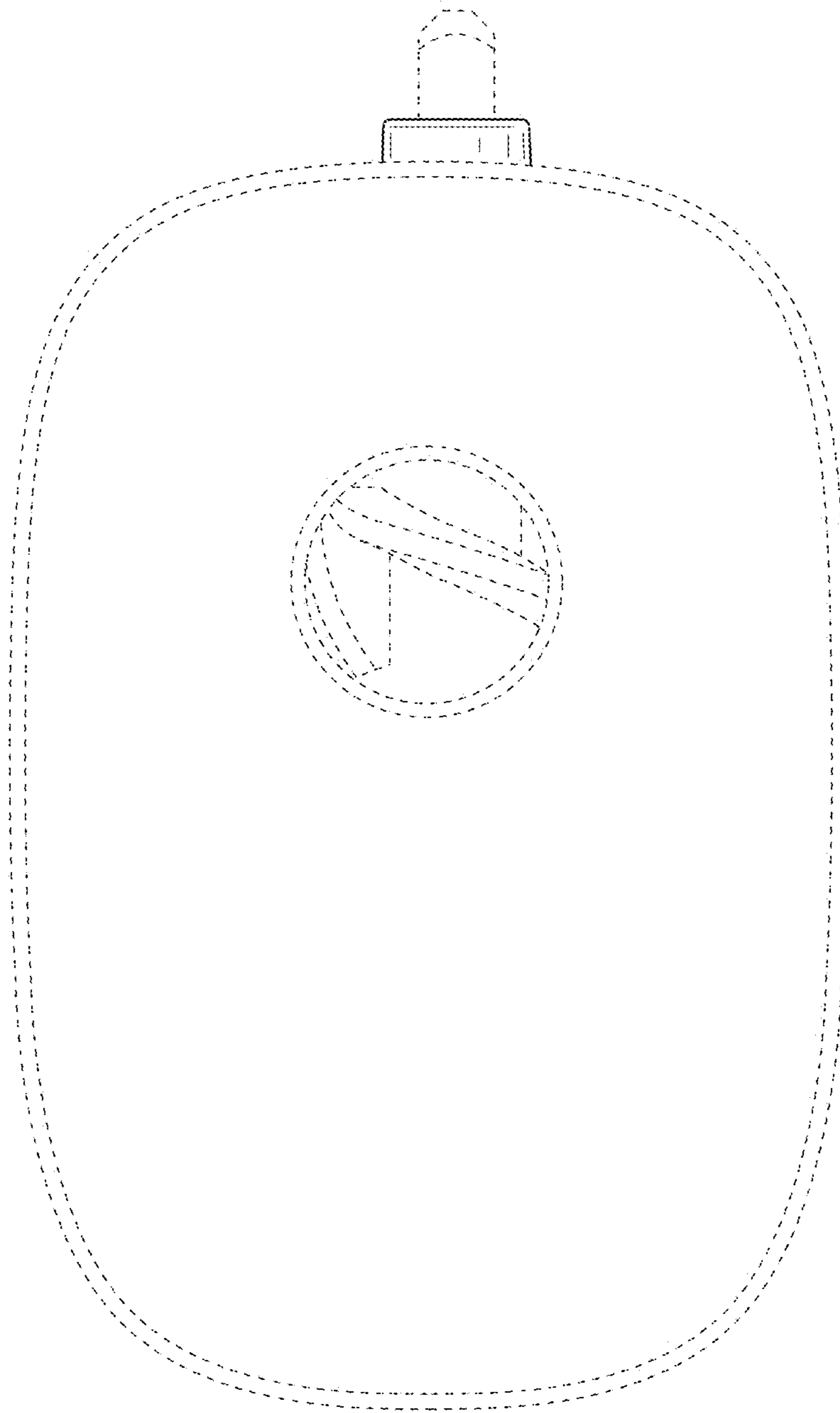


FIG. 6

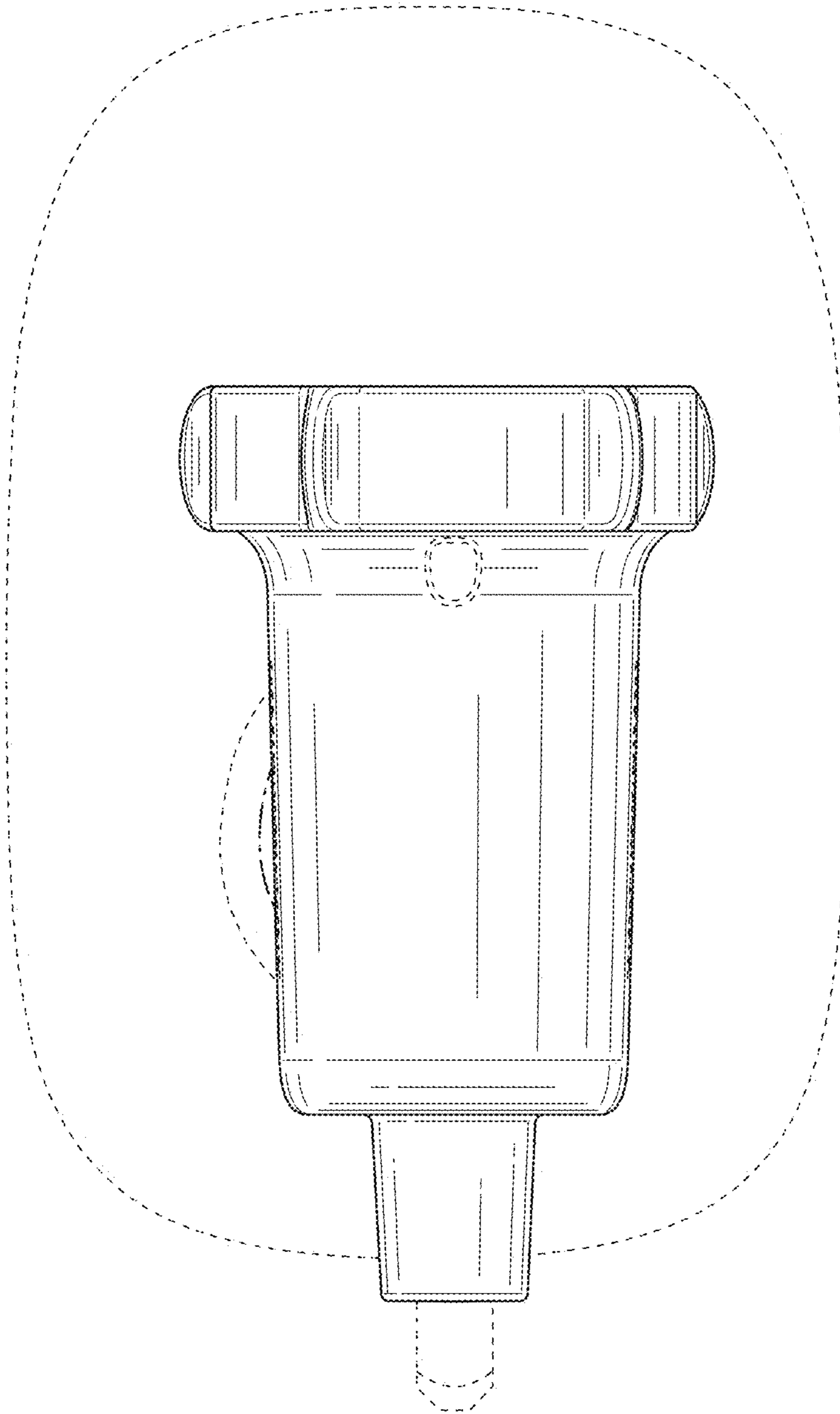


FIG. 7

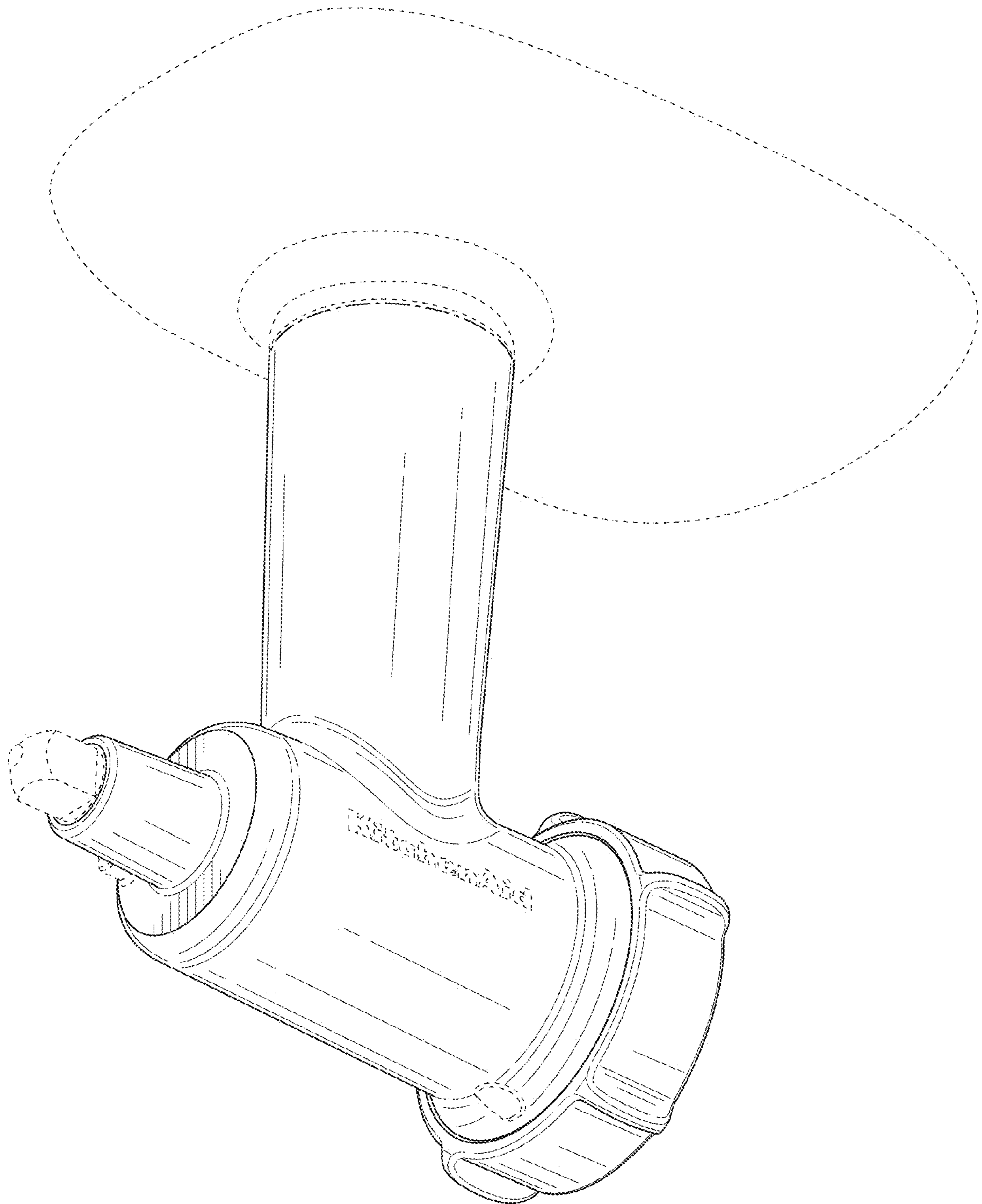


FIG. 8