



US00D925967S

(12) **United States Design Patent**
Lee

(10) **Patent No.:** **US D925,967 S**
(45) **Date of Patent:** **** Jul. 27, 2021**

- (54) **POT**
- (71) Applicant: **Winnington Metal & Plastic Manufacturing Company Limited, Hong Kong (CN)**
- (72) Inventor: **Stuart Harvey Lee, Hong Kong (CN)**
- (73) Assignee: **Winnington Metal & Plastic Manufacturing Company Limited, Hong Kong (CN)**
- (**) Term: **15 Years**
- (21) Appl. No.: **29/722,271**
- (22) Filed: **Jan. 28, 2020**
- (51) **LOC (13) Cl.** **07-02**
- (52) **U.S. Cl.**
USPC **D7/361**
- (58) **Field of Classification Search**
USPC D7/323, 338, 352, 354, 355, 356, 357, D7/358, 359, 360, 361, 362, 363, 364, D7/365, 366, 367, 402, 407, 409
CPC .. A21B 3/00; A21B 3/13; A21B 3/131; A21B 3/132; A21B 3/135; A21B 3/136; A21B 3/137; A21B 3/15; A21B 5/00; A21B 5/02; A21B 5/04; A47J 27/00; A47J 36/00; A47J 36/02; A47J 36/06; A47J 36/16; A47J 36/24; A47J 36/022; A47J 36/027; A47J 37/00; A47J 37/01; A47J 37/04; A47J 37/06; A47J 37/10; A47J 37/07; A47J 37/0781; A47J 43/20
See application file for complete search history.

D472,759 S *	4/2003	Teisen-Simony	D7/360
D506,350 S *	6/2005	Cheng	D7/360
D579,714 S *	11/2008	Cheng	D7/360
D639,109 S *	6/2011	Molayem	D7/356
D677,517 S *	3/2013	Dichraff	D7/361
D677,518 S *	3/2013	Dichraff	D7/361
D680,803 S *	4/2013	Varakian	D7/360
D811,800 S *	3/2018	Workman	D7/360
D843,774 S *	3/2019	Lam	D7/354
D895,346 S *	9/2020	Chang	D7/352
2009/0321446 A1 *	12/2009	Cheung	A47J 45/062 220/212.5

- (56) **References Cited**
U.S. PATENT DOCUMENTS
D190,962 S * 7/1961 Quistgaard D7/542
D370,826 S * 6/1996 Thurlow D7/360

OTHER PUBLICATIONS

Voyage 6QT Casserole, no announcement date [online], retrieved Oct. 20, 2020, retrieved from internet, https://www.housewares.org/housewaresconnect365/detail?com_uid=00004030.*

(Continued)

Primary Examiner — Dana K Weiland
Assistant Examiner — Messina L Smith
(74) *Attorney, Agent, or Firm* — Muncy, Geissler, Olds & Lowe, P.C.

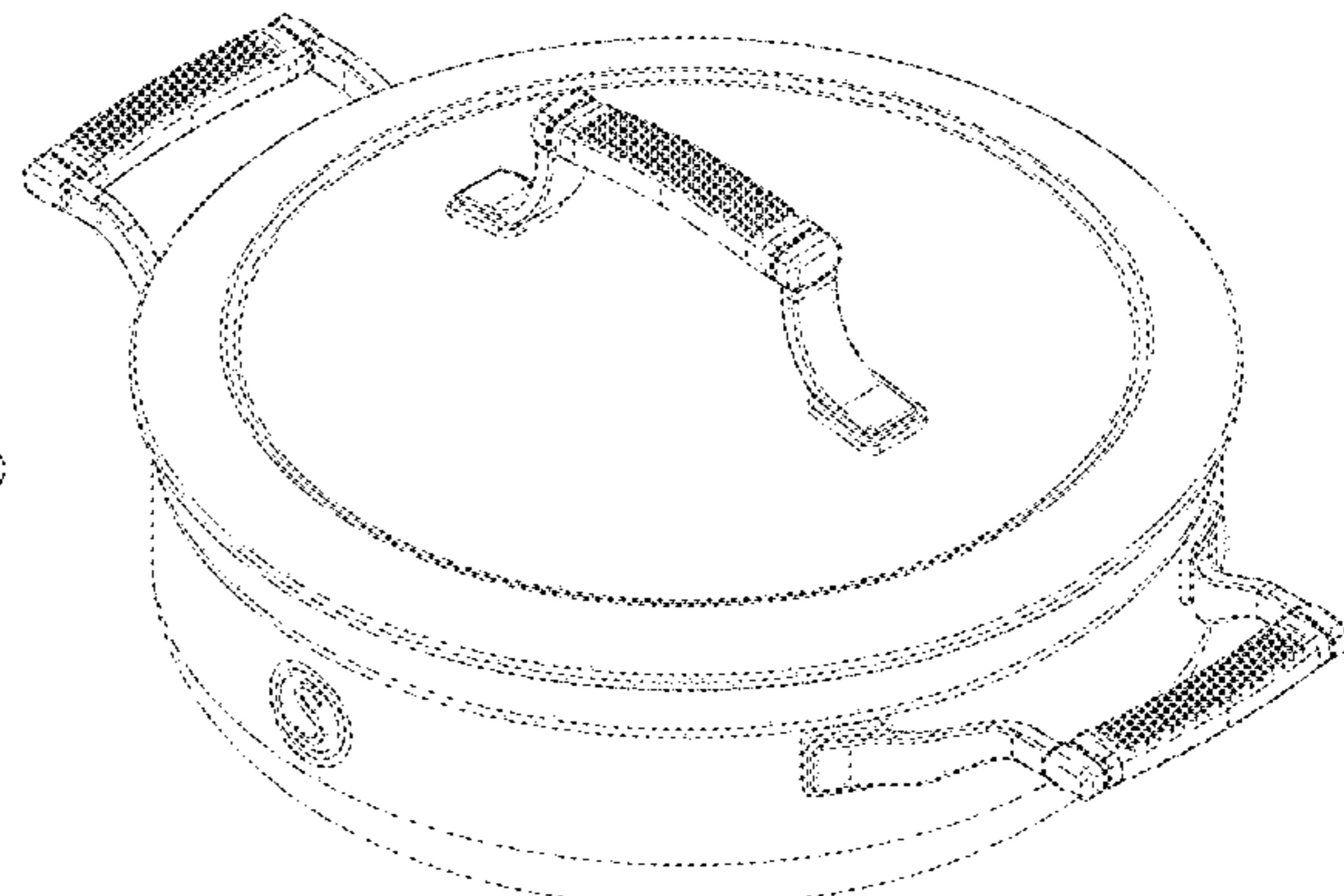
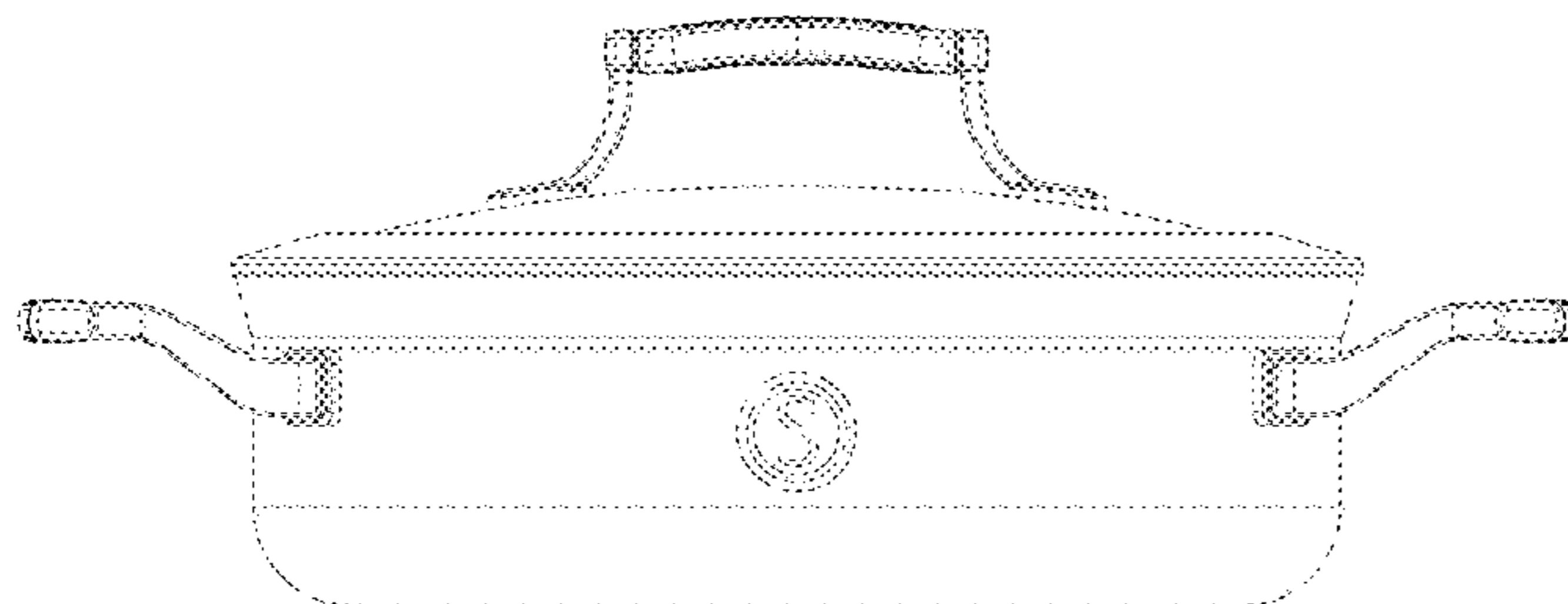
(57) **CLAIM**

The ornamental design for a pot, as shown and described.

DESCRIPTION

FIG. 1 is a front elevational view of a pot showing my new design;
FIG. 2 is a rear elevational view thereof;
FIG. 3 is a left side view thereof;
FIG. 4 is a right side view thereof;
FIG. 5 is a top plan view thereof;
FIG. 6 is a bottom plan view thereof; and,
FIG. 7 is a perspective view thereof.

1 Claim, 7 Drawing Sheets



(56)

References Cited

OTHER PUBLICATIONS

Cuisinart 4qt Stainless Steel Casserole with Cover, announced Oct. 2019 [online], retrieved Oct. 20, 2020, retrieved from internet, <https://www.target.com/p/cuisinart-4qt-stainless-steel-casserole-with-cover-8355-26/-/A-53675605>.*

Bon Chef Cucina 9 qt Round Hammered Stainless Steel Casserole Dish With Lid, announced © 1998-2020 [online], retrieved Oct. 20, 2020, retrieved from internet, <https://www.hubert.com/product/57347/Bon-Chef-Cucina-9-qt-Round-Hammered-Stainless-Steel-Casserole-Dish-With-Lid---14-58Dia-x-3-58H>.*

* cited by examiner

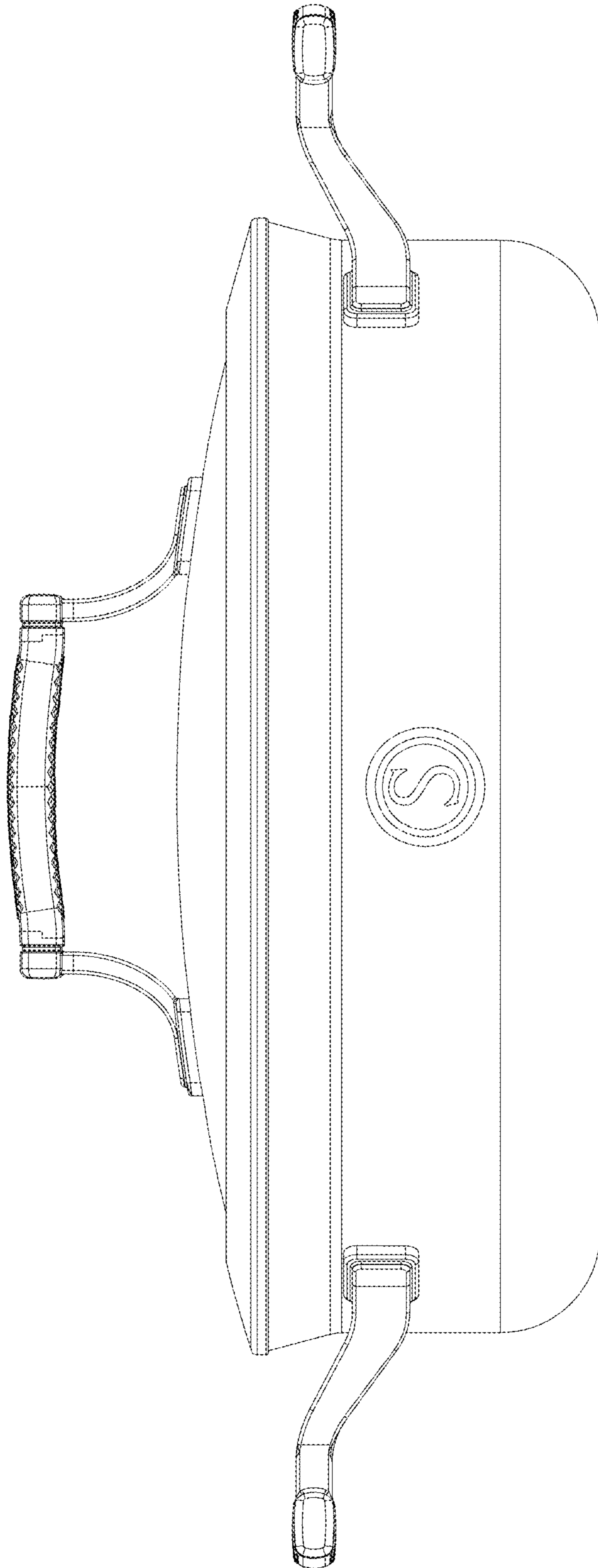


Fig. 1

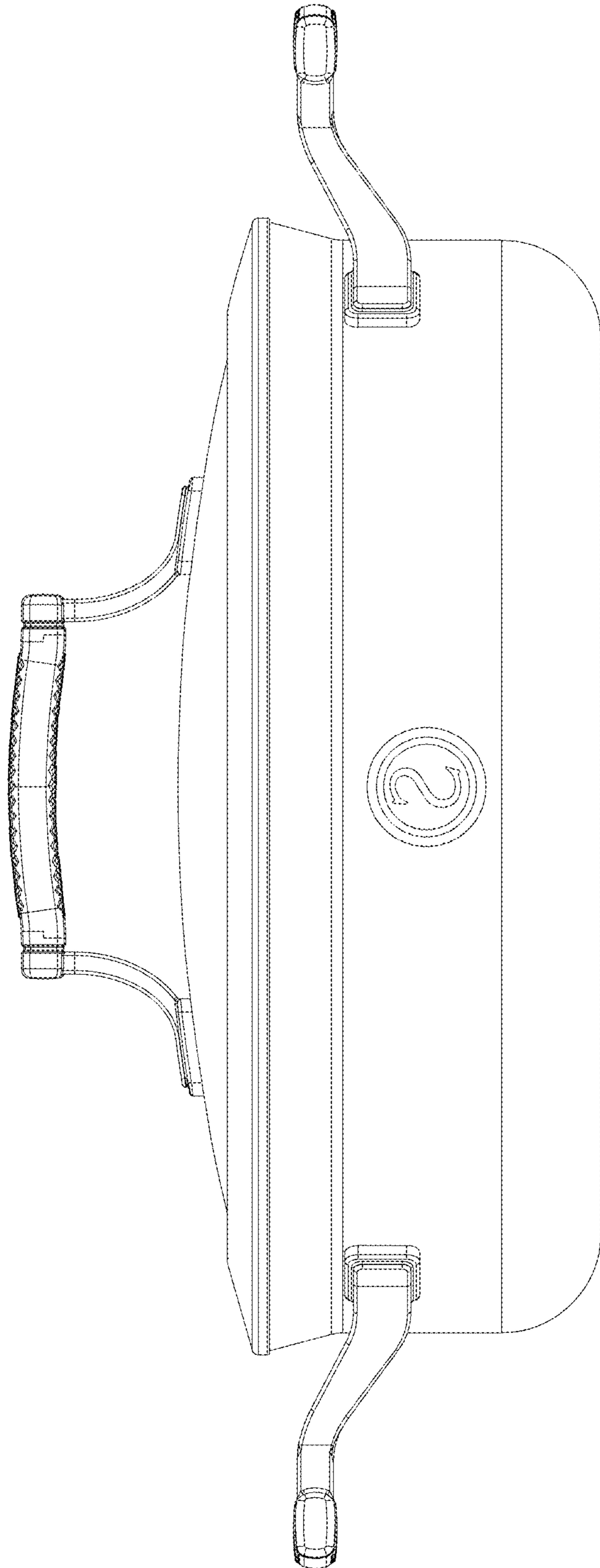


Fig. 2

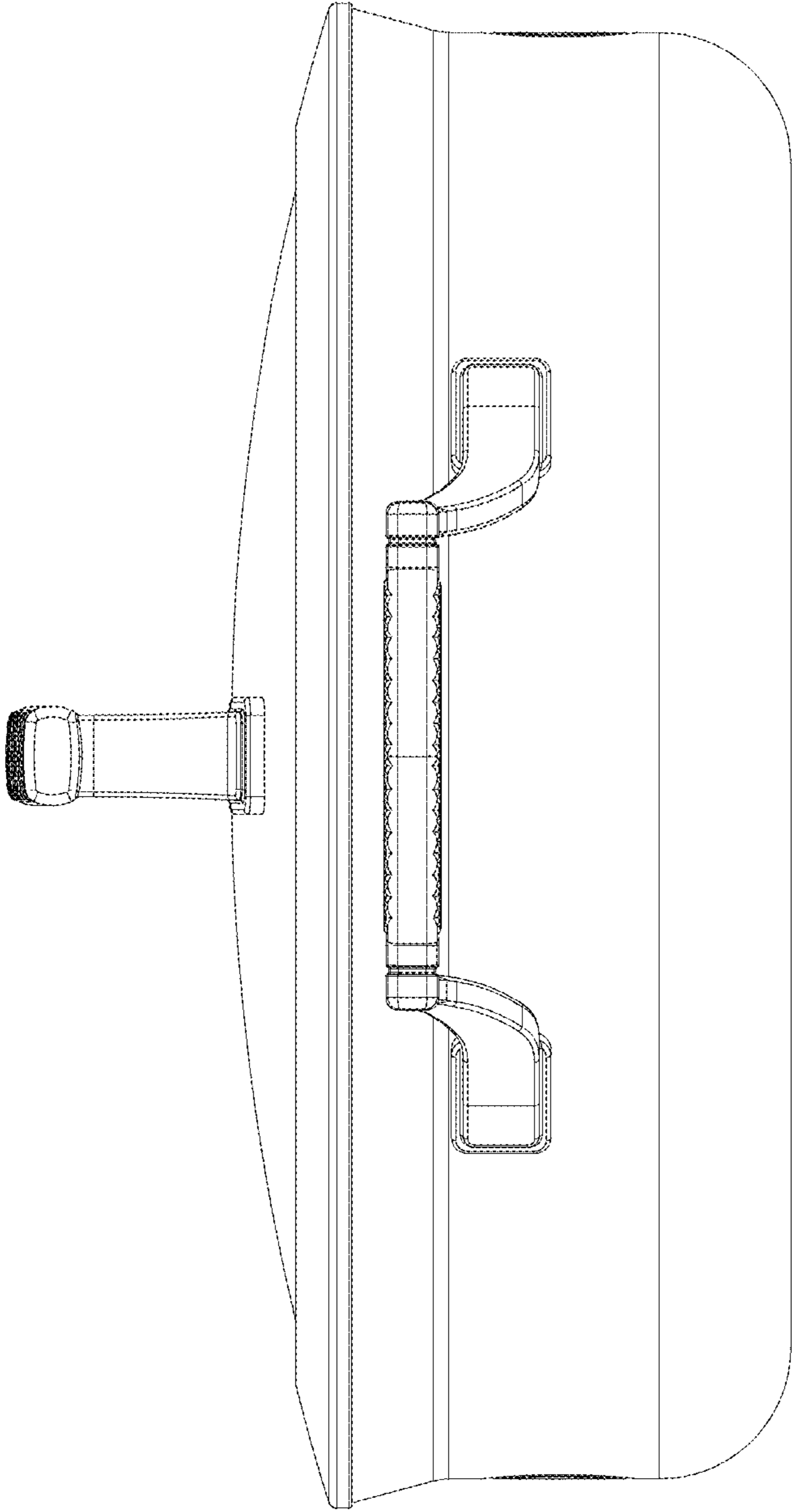


Fig. 3

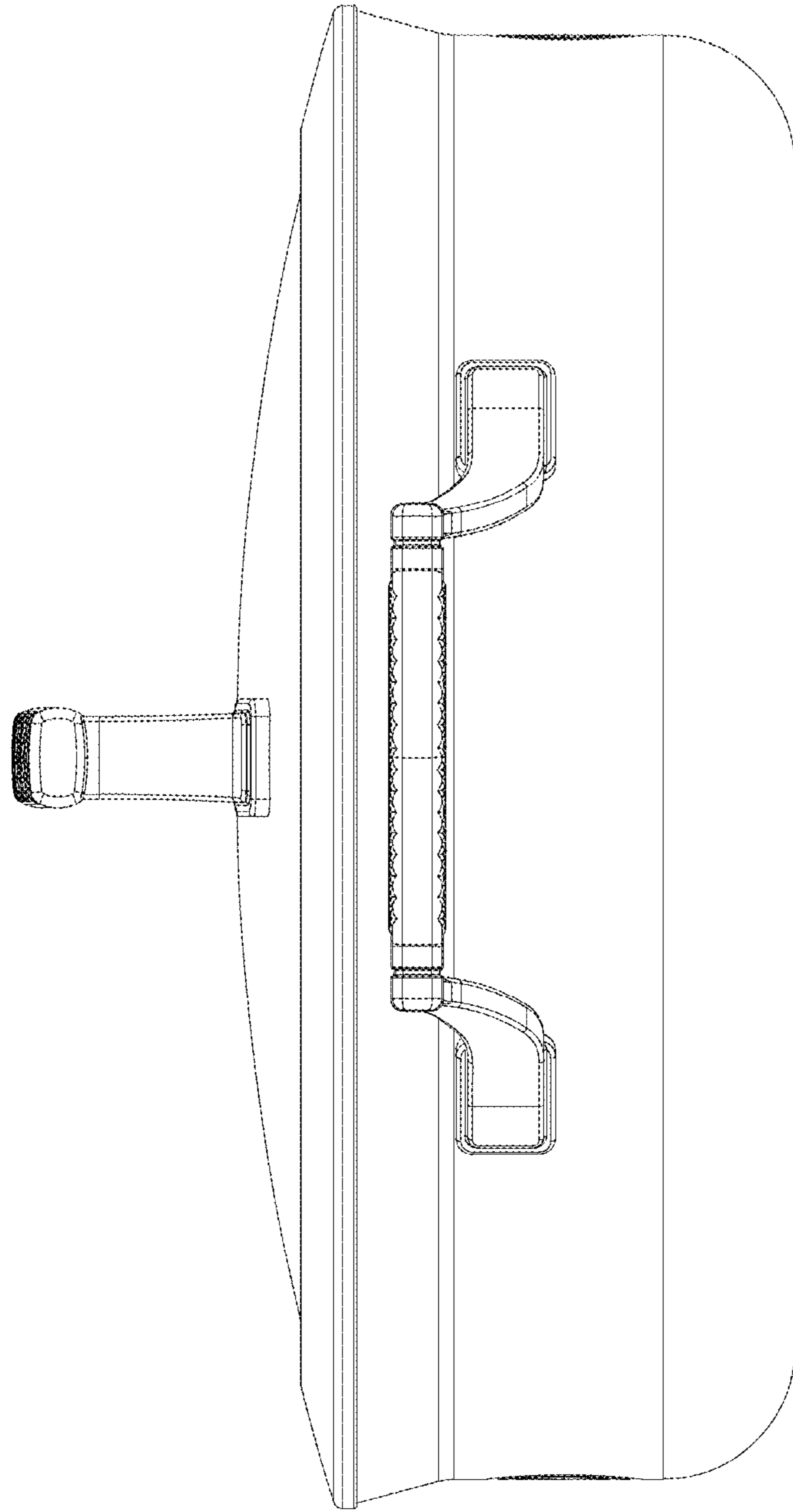


Fig. 4

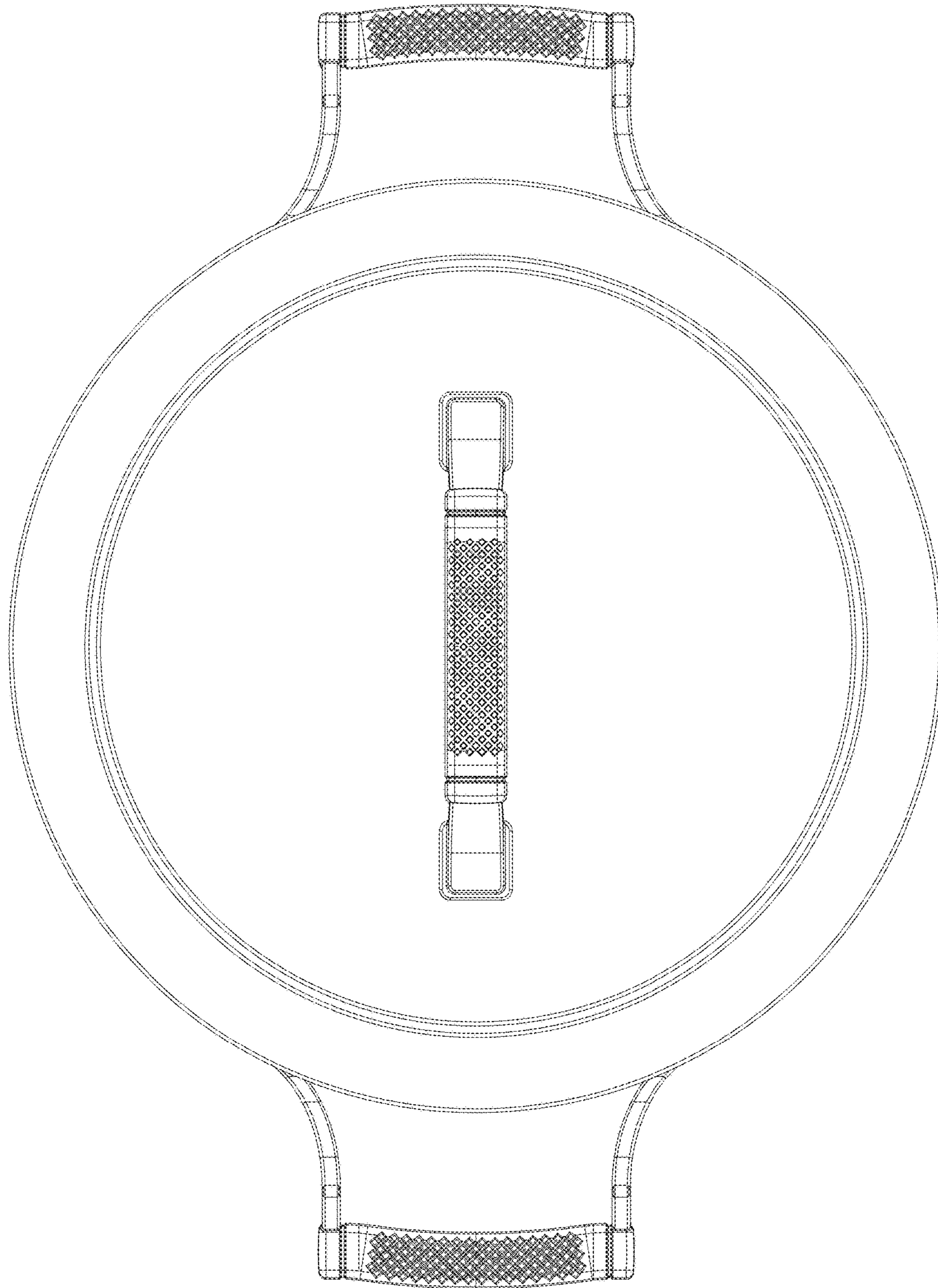


Fig. 5

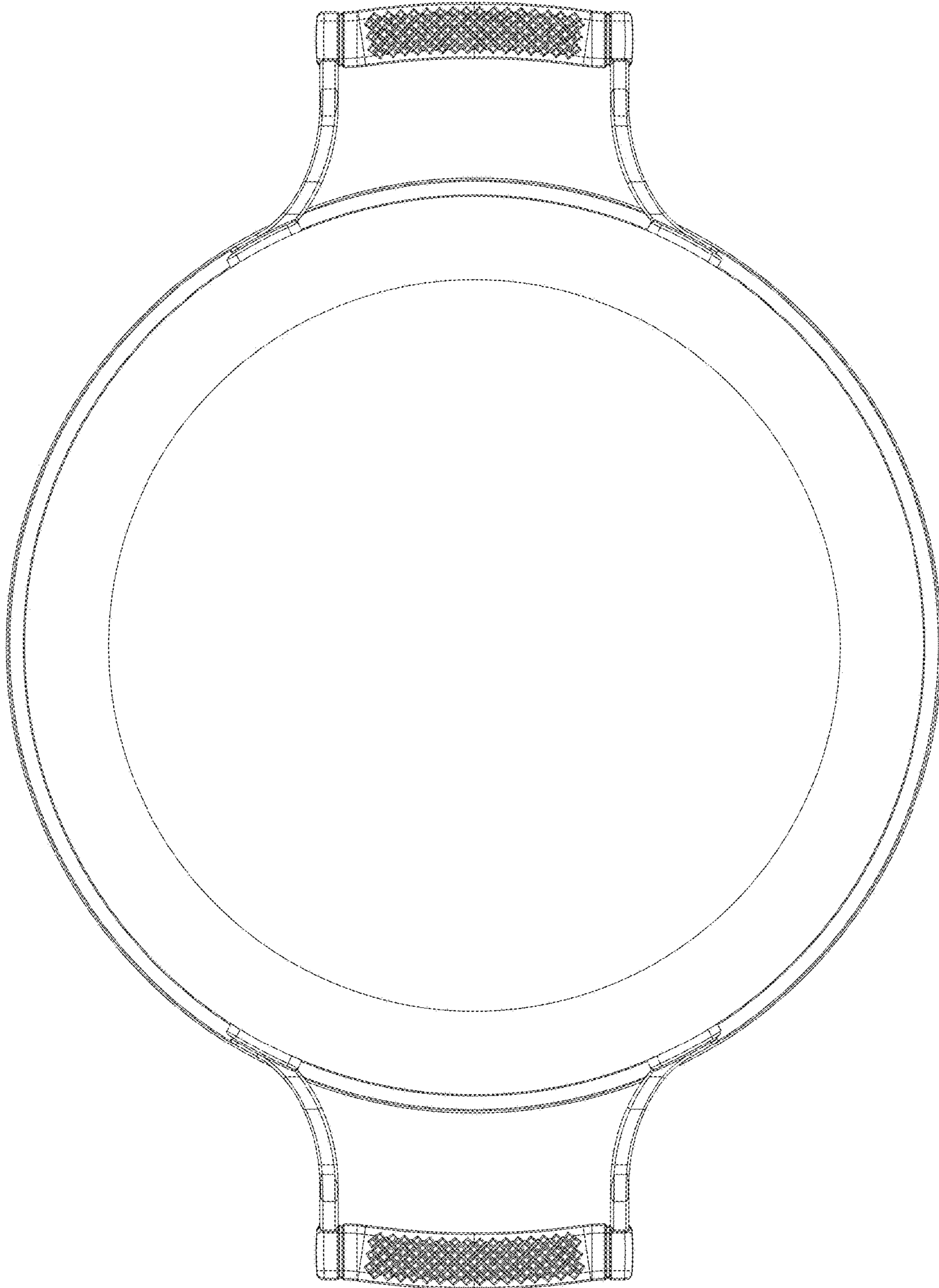


Fig. 6

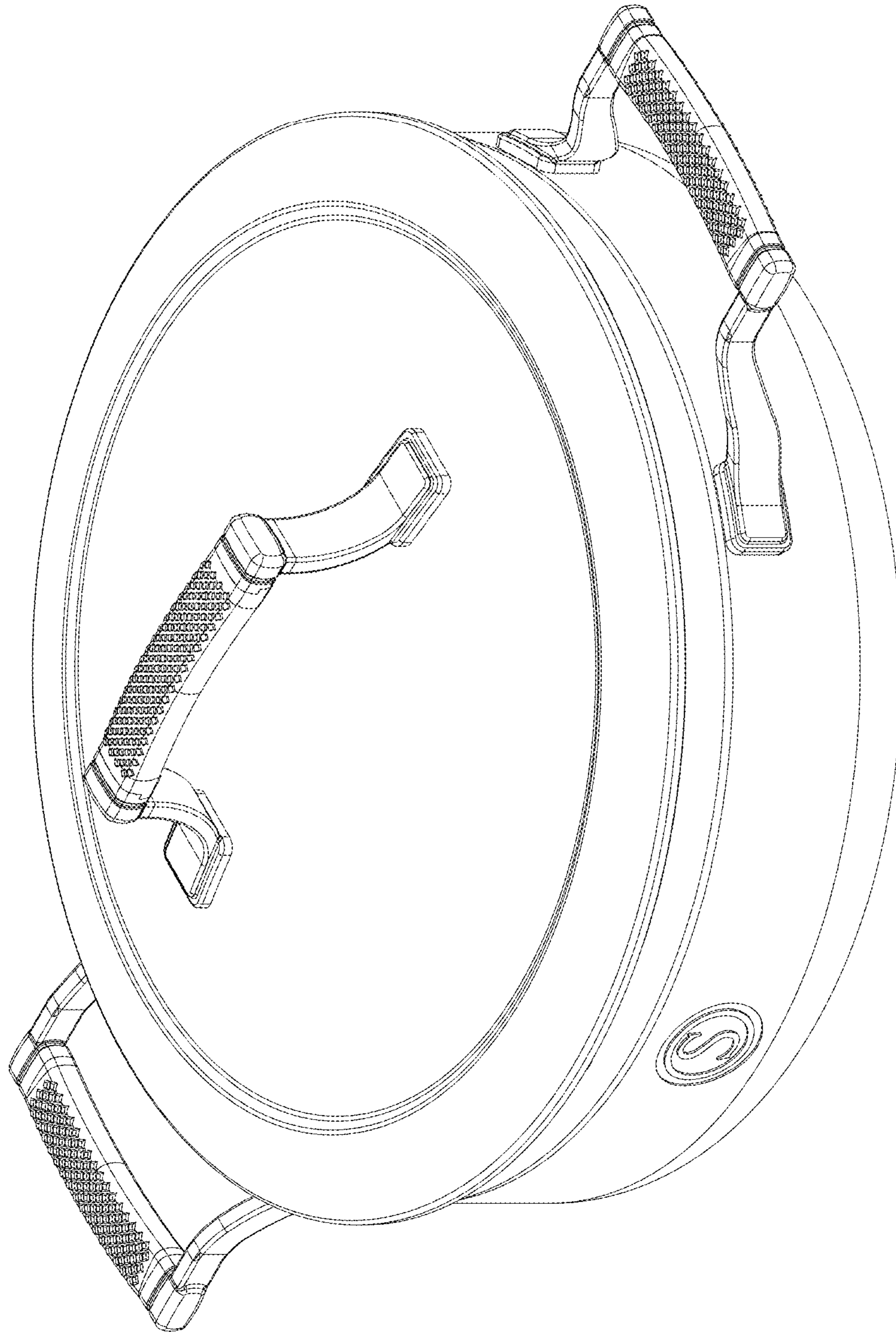


Fig. 7