



US00D925966S

(12) **United States Design Patent** (10) **Patent No.:** **US D925,966 S**
Bellini (45) **Date of Patent:** **** Jul. 27, 2021**

(54) COOKING HOBS	3,789,821 A *	2/1974	Fick	F24C 3/14 126/38
(71) Applicant: CAN SRL , Puegnago sul Garda (IT)	D231,183 S *	4/1974	Avant et al.	D7/337
(72) Inventor: Lorenzo Bellini , Puegnago sul Garda (IT)	D245,220 S *	8/1977	Chan	D7/337
(73) Assignee: CAN SRL , Bassano del Grappa (IT)	D251,893 S *	5/1979	Chan	D7/337
(**) Term: 15 Years	D326,029 S *	5/1992	Lok	D7/346
(21) Appl. No.: 29/673,431	D412,808 S *	8/1999	Hinton	D7/362
(22) Filed: Dec. 14, 2018	D614,436 S *	4/2010	Chung	D7/337
(30) Foreign Application Priority Data	D677,106 S *	3/2013	Horito	D7/337
Jun. 20, 2018 (EM)	9,127,847 B2 *	9/2015	Wylde	F24C 3/14
(51) LOC (13) Cl.	10,174,950 B2 *	1/2019	Hebert, Jr.	F24C 3/14
(52) U.S. Cl.	2005/0241630 A1 *	11/2005	May	F24C 3/14 126/38
(58) Field of Classification Search				
USPC				
CPC ..				

(51) **LOC (13) Cl.** **07-02**

(52) **U.S. Cl.** **D7/346**

(58) **Field of Classification Search**

USPC D7/323, 328-330, 332-337, 339-349, D7/362, 402-409; D8/300-306

CPC .. A21B 2/00; A23B 4/052; A47J 37/00; A47J 37/06; A47J 37/0611; A47J 37/07; A47J 37/079; A47J 37/0704; A47J 37/08; A47J 37/0807; A47J 37/0814; A47J 37/0835; A47J 37/0842; A47J 37/085; A47J 37/0864; A47J 37/0878; A47J 37/0885; A47J 37/0892; A47J 2037/0777; F24C 3/14; F24C 7/00; F24C 7/002; F24C 7/046; F24C 7/067; F24C 15/02; F24C 15/04; F24C 15/10; F24C 15/28; F24C 15/102

See application file for complete search history.

(56) **References Cited**

U.S. PATENT DOCUMENTS

3,713,432 A * 1/1973 Finley F24C 15/28
126/38

D226,872 S * 5/1973 Benson D7/337

OTHER PUBLICATIONS

Outbound Gas Camping Stove. Date First Available on Amazon.com May 7, 2020 <https://www.amazon.com/dp/B088B8G4R/ref> (Year: 2020).*

DYRABREST Gas Camping Stove. Date First Available on Amazon.com Aug. 24, 2020 <https://www.amazon.com/DYRABREST-Camping-Burners-Caravan-Motorhome/dp/B08GKQ7KJH/ref> (Year: 2020).*

* cited by examiner

Primary Examiner — Ricky Pham
(74) *Attorney, Agent, or Firm* — Birch, Stewart, Kolasch & Birch, LLP

(57) **CLAIM**

The ornamental design for a cooking hobs, as shown and described.

DESCRIPTION

FIG. 1 is a front, right perspective view of a cooking hobs showing my new design;

FIG. 2 is a top plan view thereof;

FIG. 3 is a front elevational view thereof;

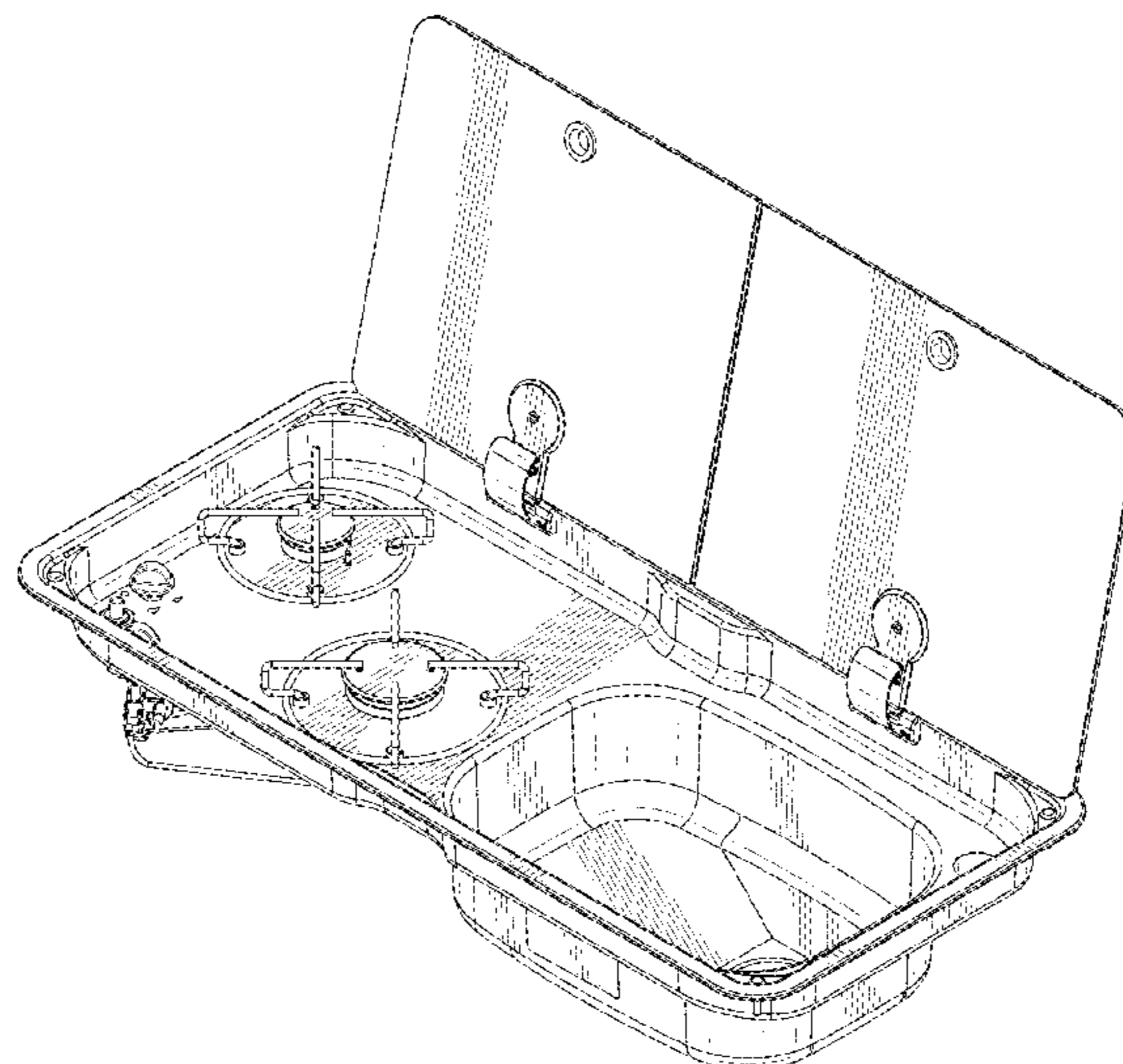
FIG. 4 is a left side elevational view thereof;

FIG. 5 is a right side elevational view thereof;

FIG. 6 is a rear elevational view thereof; and,

FIG. 7 is a bottom plan view thereof.

1 Claim, 7 Drawing Sheets



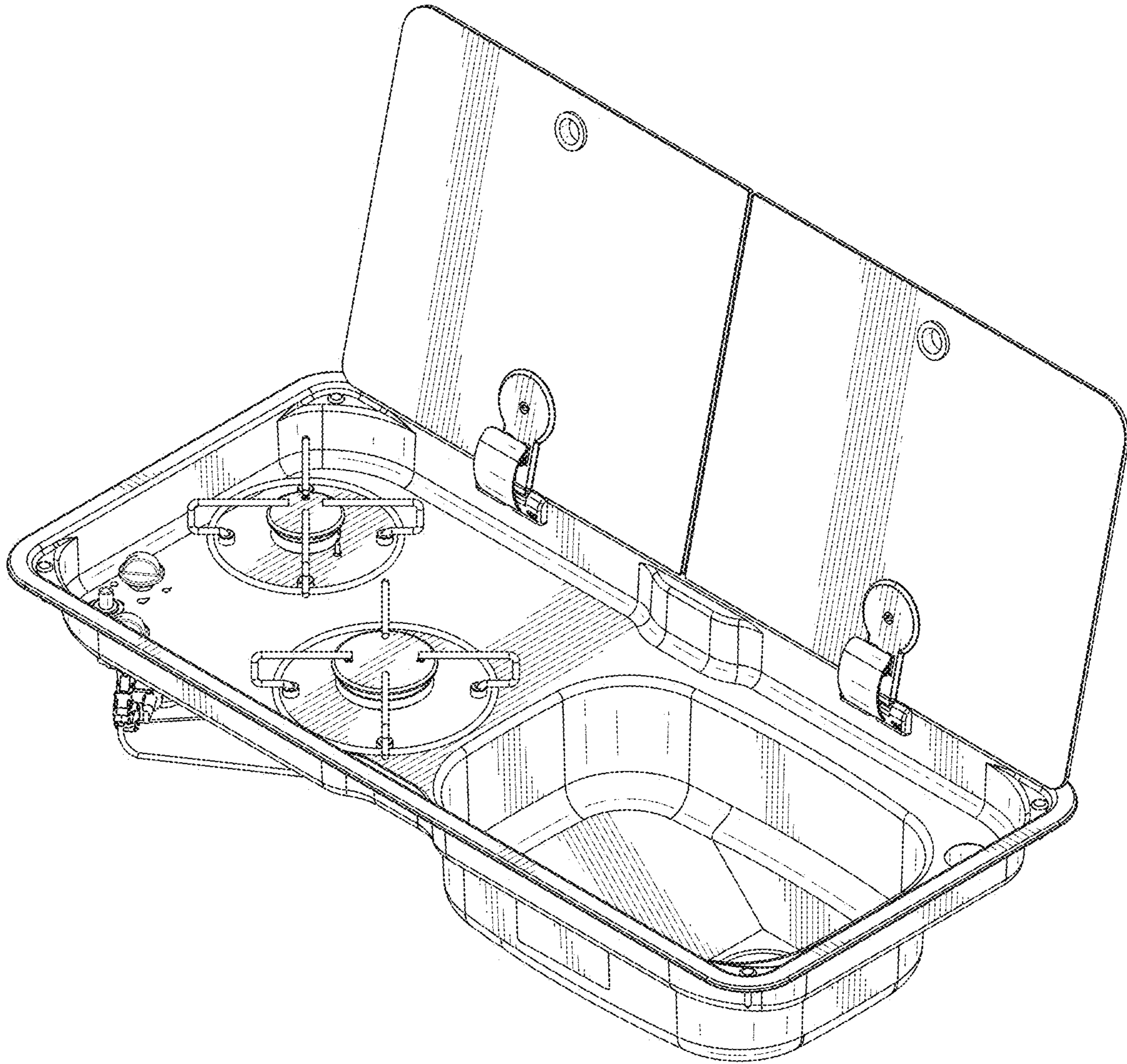


FIG.1

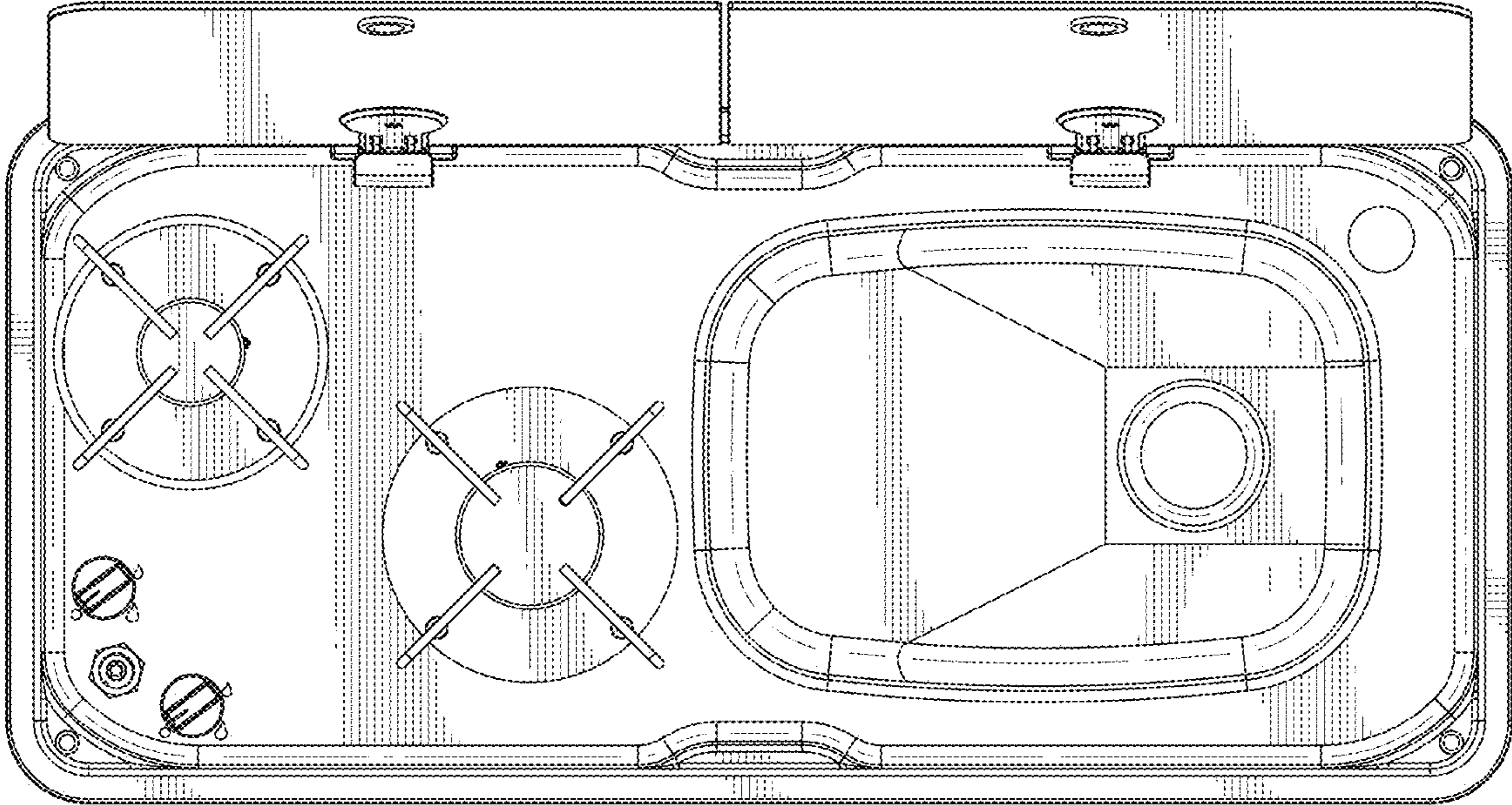


FIG.2

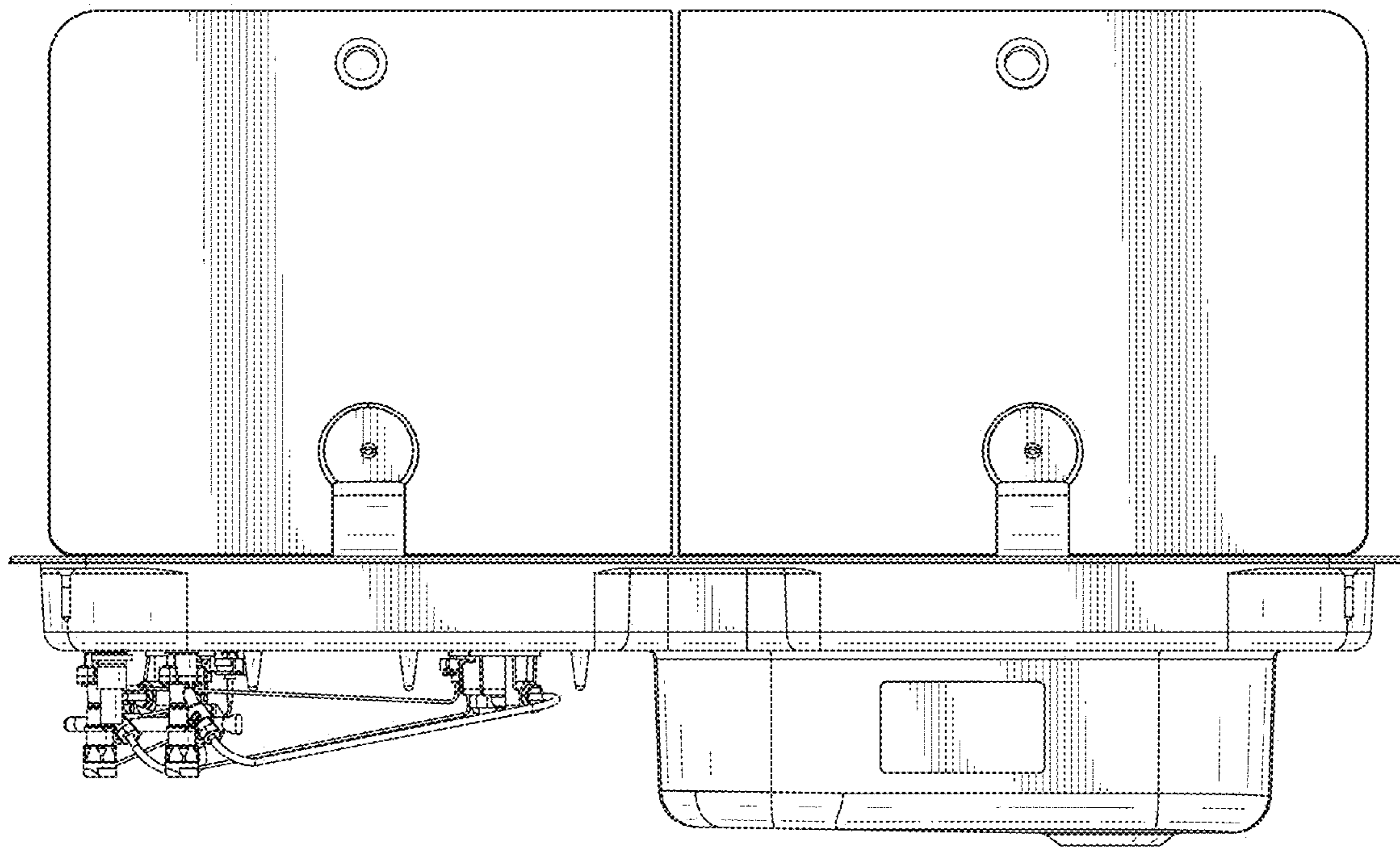


FIG.3

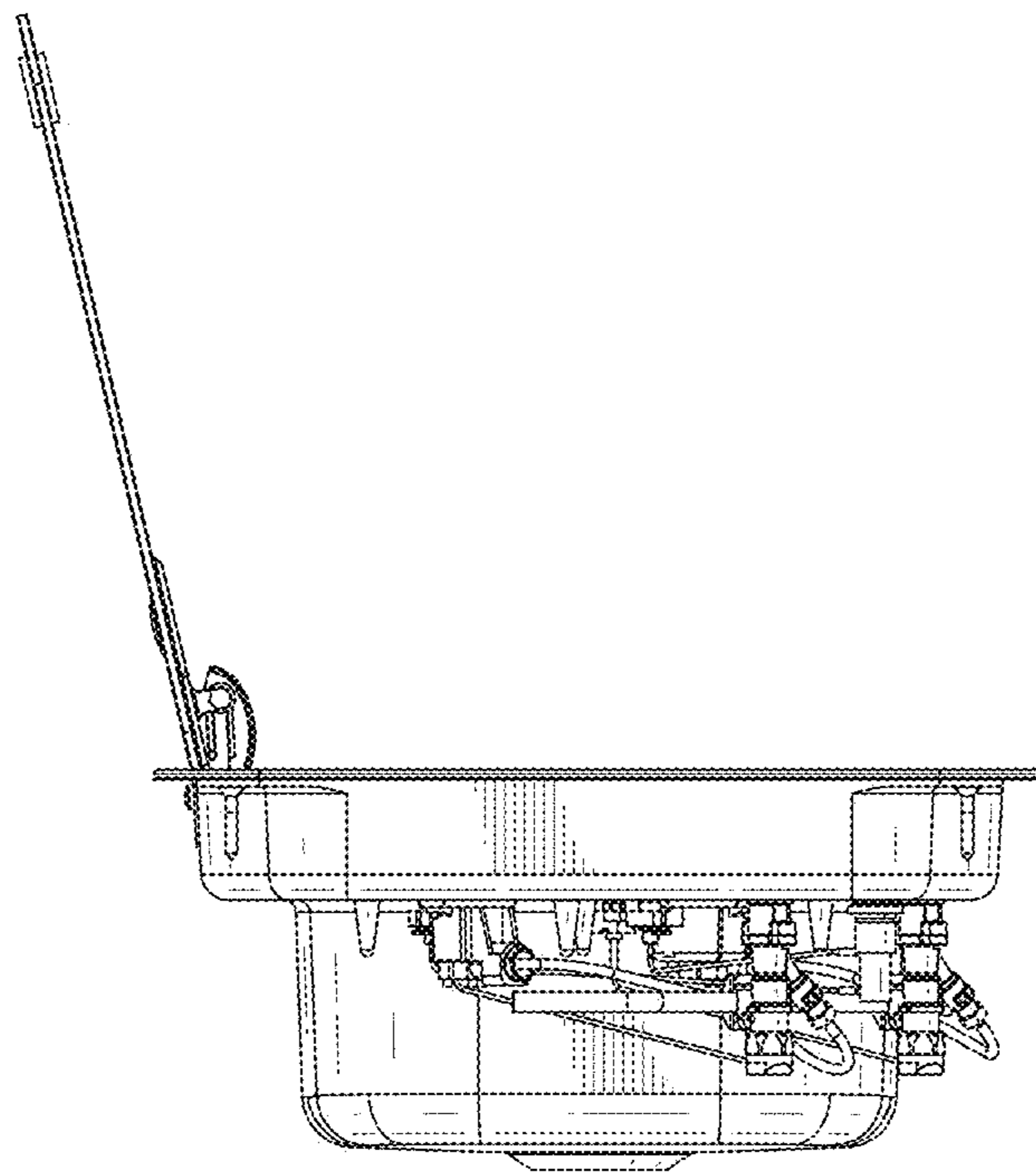


FIG.4

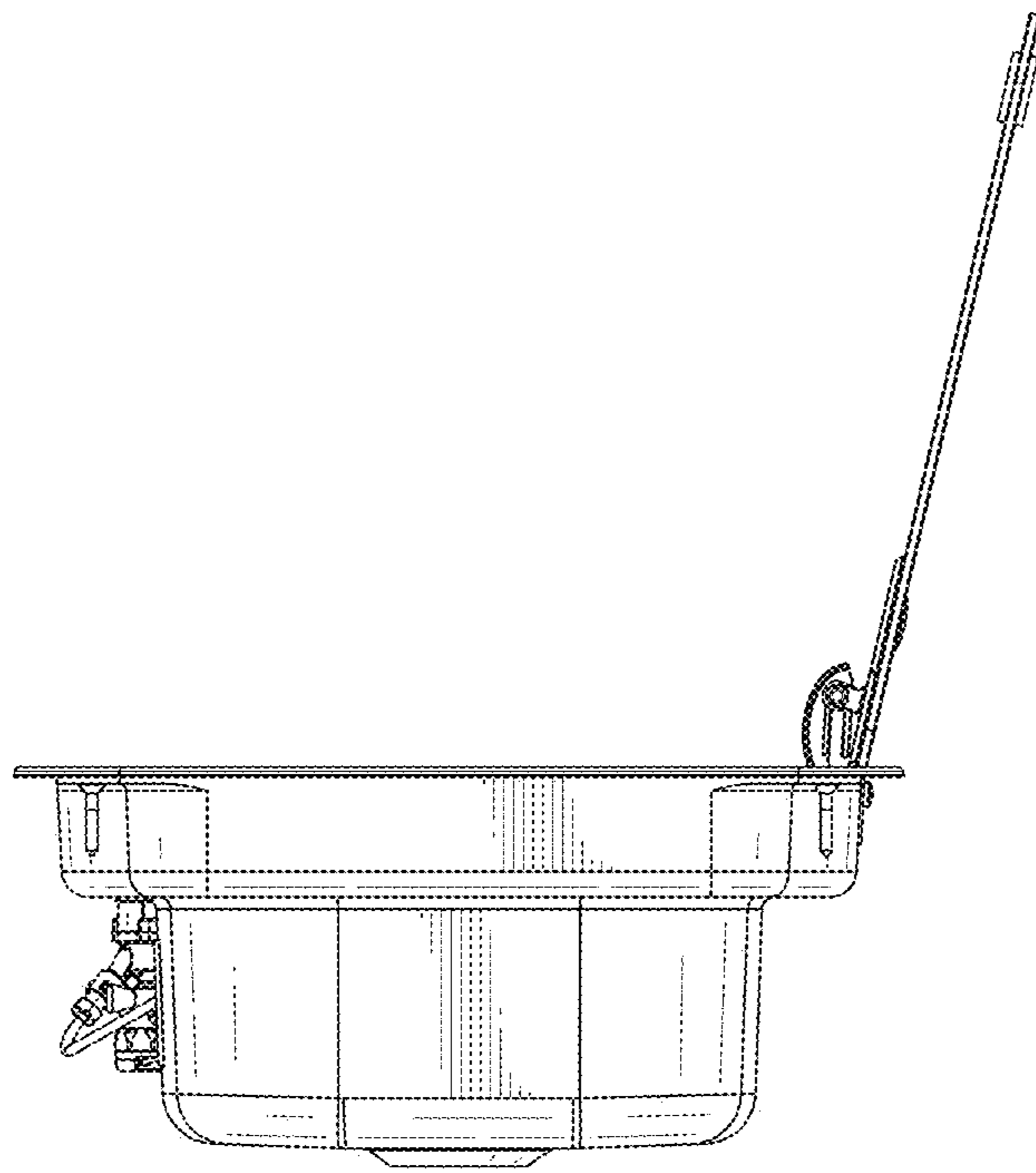


FIG.5

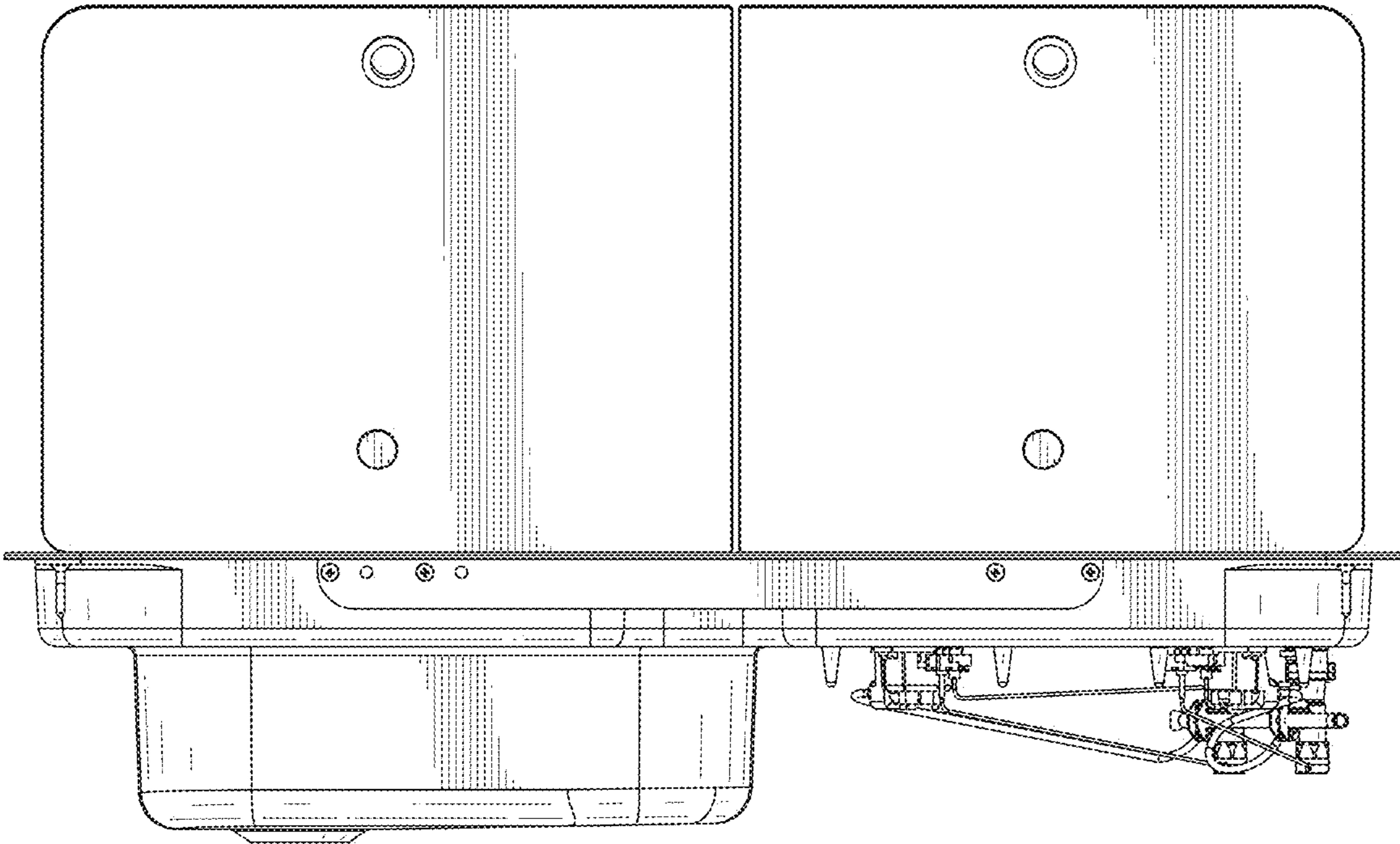


FIG.6

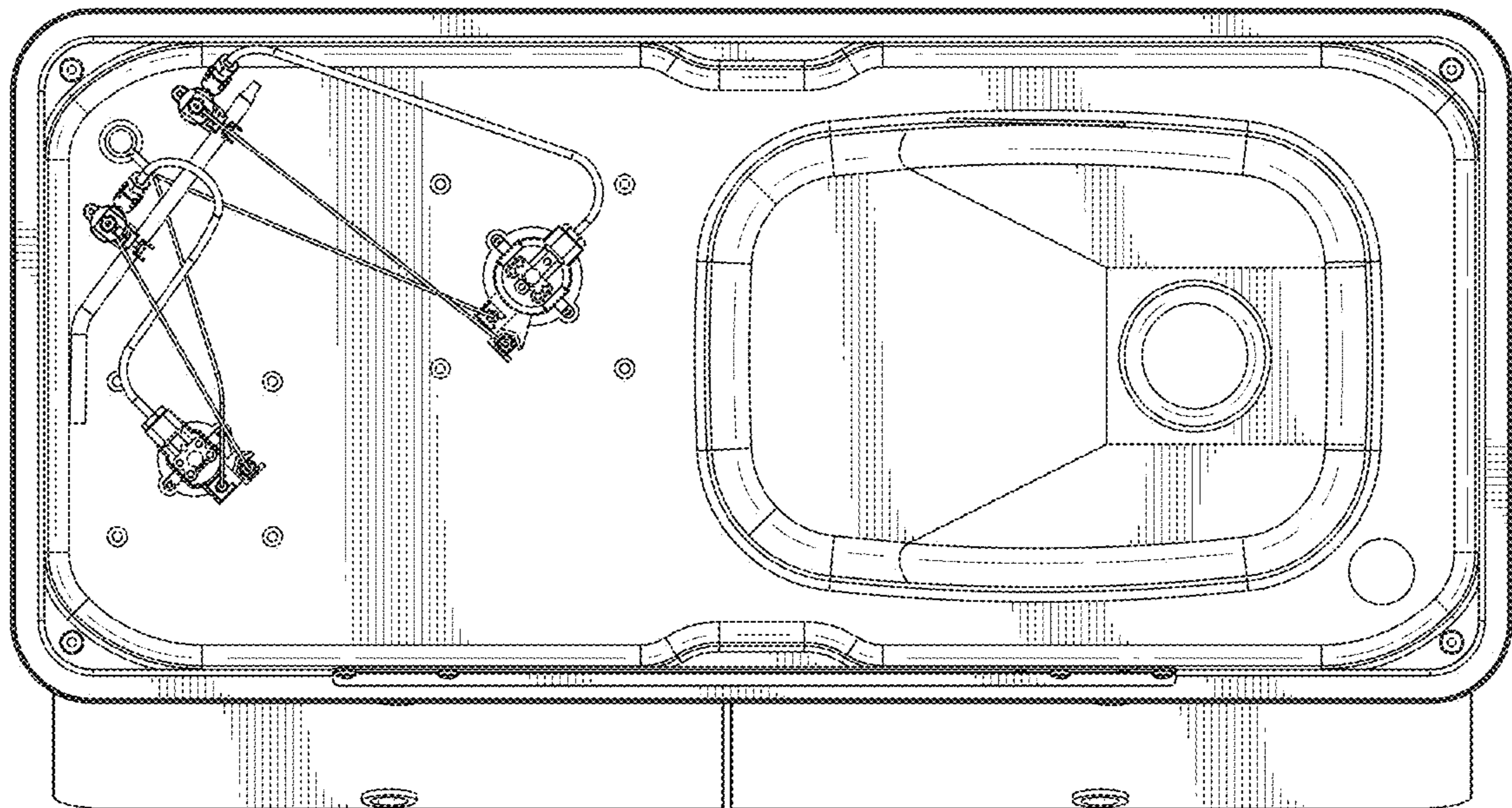


FIG.7