



US00D925965S

(12) **United States Design Patent** (10) **Patent No.:** **US D925,965 S**
Bellini (45) **Date of Patent:** **** Jul. 27, 2021**

(54) **COOKING HOBS** 3,789,821 A * 2/1974 Fick F24C 3/14
126/38

(71) Applicant: **CAN SRL**, Puegnago sul Garda (IT) D231,183 S * 4/1974 Avant et al. D7/337
D245,220 S * 8/1977 Chan D7/337

(72) Inventor: **Lorenzo Bellini**, Puegnago sul Garda (IT) D251,894 S * 5/1979 Chan D7/337
4,426,990 A * 1/1984 Shepherd F24C 3/14
126/38

(73) Assignee: **CAN SRL**, Bassano del Grappa (IT) D295,818 S * 5/1988 Chan D7/332
D614,436 S * 4/2010 Chung D7/337
D677,106 S * 3/2013 Horito D7/337

(**) Term: **15 Years** 9,127,847 B2 * 9/2015 Wylde F24C 3/14
10,174,950 B2 * 1/2019 Hebert, Jr. F24C 3/14
2005/0241630 A1 * 11/2005 May F24C 3/14
126/38

(21) Appl. No.: **29/673,344**

(22) Filed: **Dec. 13, 2018**

(30) **Foreign Application Priority Data**

Jun. 20, 2018 (EM) 005318490-0003

(51) **LOC (13) Cl.** **07-02**

(52) **U.S. Cl.**
USPC **D7/346**

(58) **Field of Classification Search**
USPC D7/323, 328-330, 332-337, 339-349,
D7/402-409; D8/300-306
CPC .. A21B 2/00; A23B 4/052; A47J 37/00; A47J
37/06; A47J 37/0611; A47J 37/07; A47J
37/079; A47J 37/0704; A47J 37/08; A47J
37/0807; A47J 37/0814; A47J 37/0835;
A47J 37/0842; A47J 37/085; A47J
37/0864; A47J 37/0878; A47J 37/0885;
A47J 37/0892; A47J 2037/0777; F24C
3/14; F24C 7/00; F24C 7/002; F24C
7/046; F24C 7/067; F24C 15/02; F24C
15/04; F24C 15/10; F24C 15/28; F24C
15/102
See application file for complete search history.

(56) **References Cited**

U.S. PATENT DOCUMENTS

3,724,441 A * 4/1973 Finley F24C 3/14
126/38
D226,872 S * 5/1973 Benson D7/337

OTHER PUBLICATIONS

Outbound Gas Camping Stove. Date First Available on Amazon.com May 7, 2020 <https://www.amazon.com/dp/B088B8G4R/ref> (Year: 2020).*

(Continued)

Primary Examiner — Ricky Pham
(74) *Attorney, Agent, or Firm* — Birch, Stewart, Kolasch & Birch, LLP

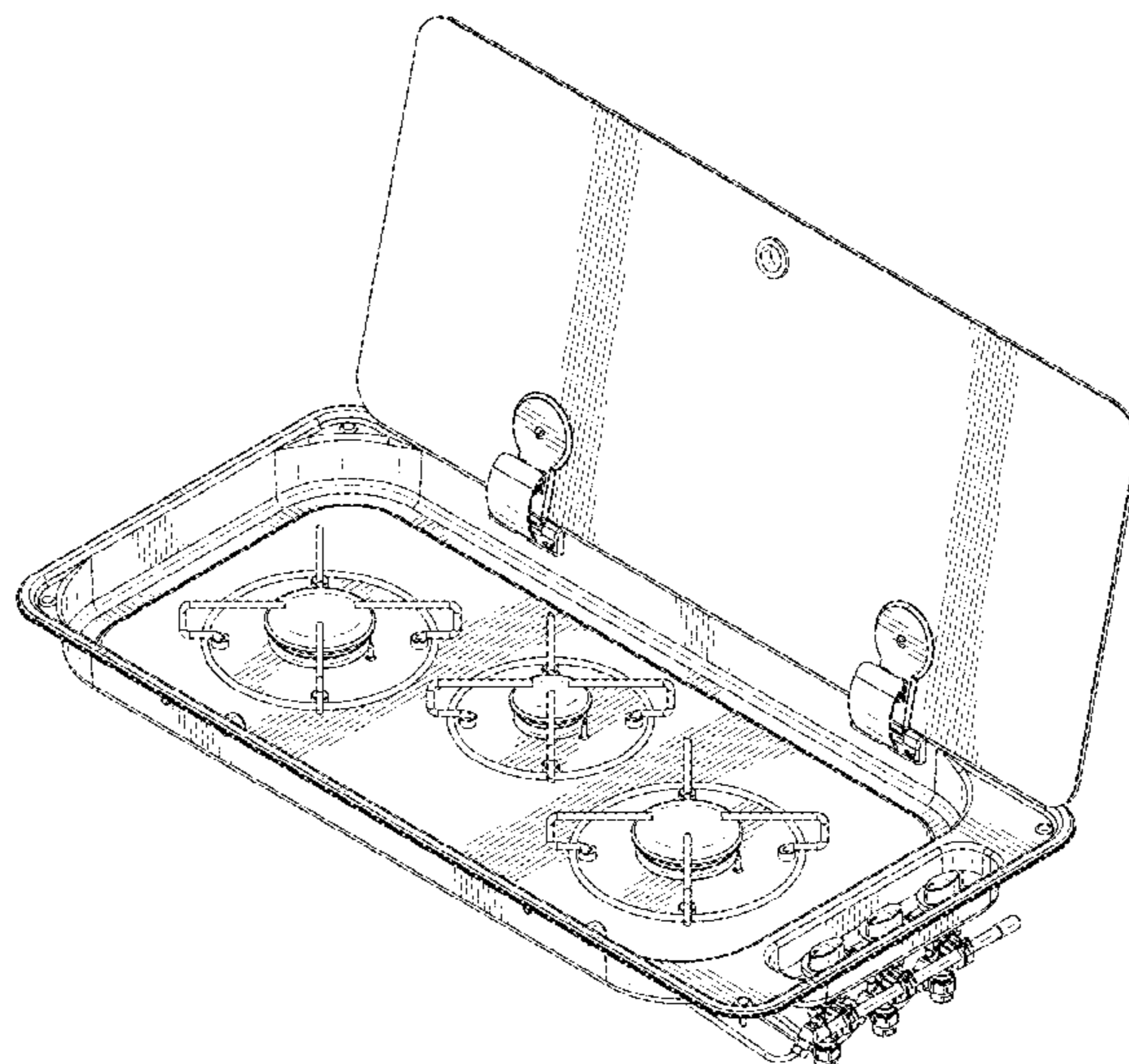
(57) **CLAIM**

The ornamental design for a cooking hobs, as shown and described.

DESCRIPTION

FIG. 1 is a front, right perspective view of a cooking hobs showing my new design;
FIG. 2 is a top plan view thereof;
FIG. 3 is a front elevational view thereof;
FIG. 4 is a left side elevational view thereof;
FIG. 5 is a right side elevational view thereof;
FIG. 6 is a rear elevational view thereof; and,
FIG. 7 is a bottom plan view thereof.

1 Claim, 7 Drawing Sheets



(56)

References Cited

OTHER PUBLICATIONS

DYRABREST Gas Camping Stove, Date First Available on Amazon.com Aug. 24, 2020 <https://www.amazon.com/DYRABREST-Camping-Burners-Caravan-Motorhome/dp/B08GKQ7KJH/ref> (Year: 2020).*

* cited by examiner

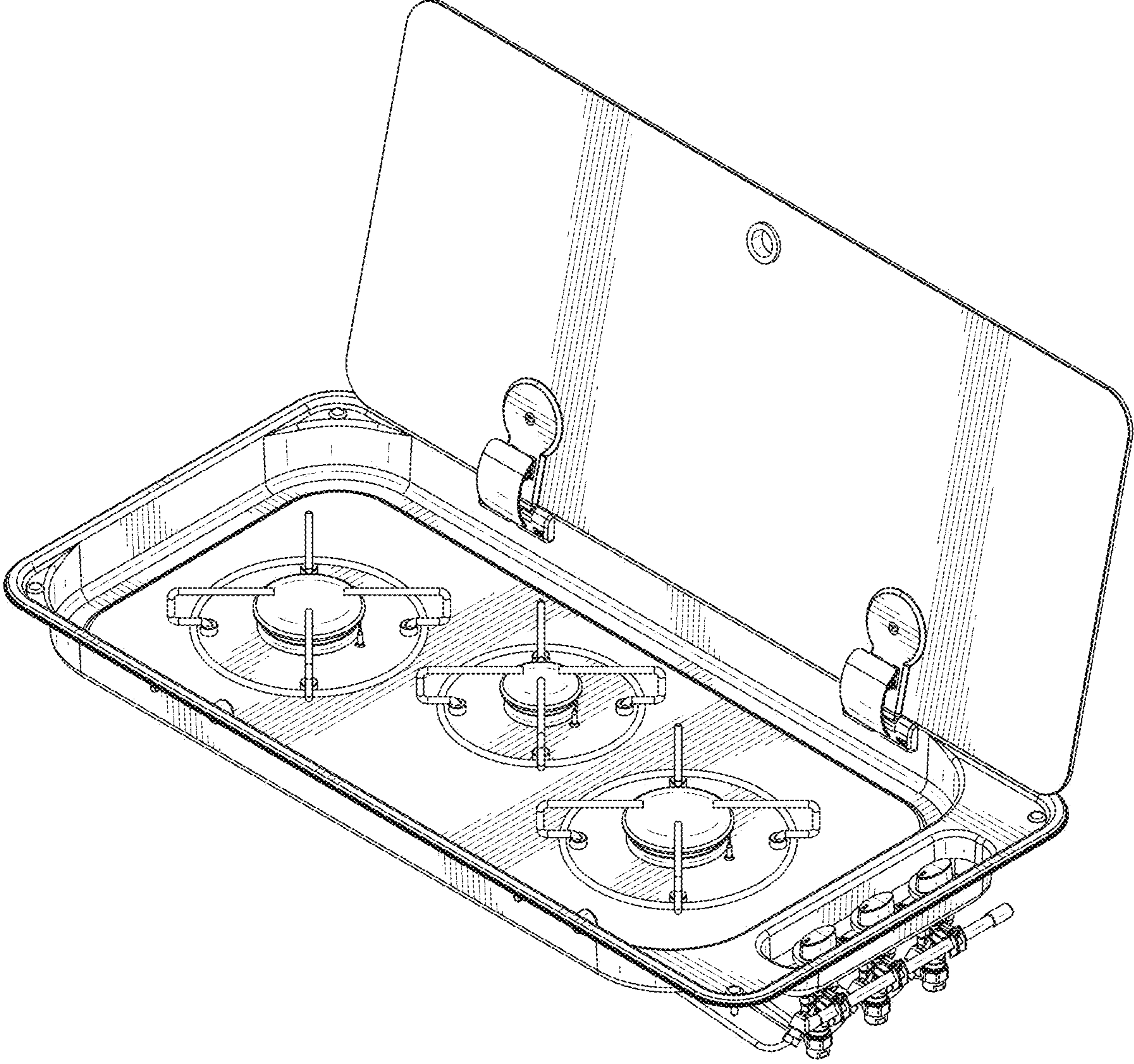


FIG.1

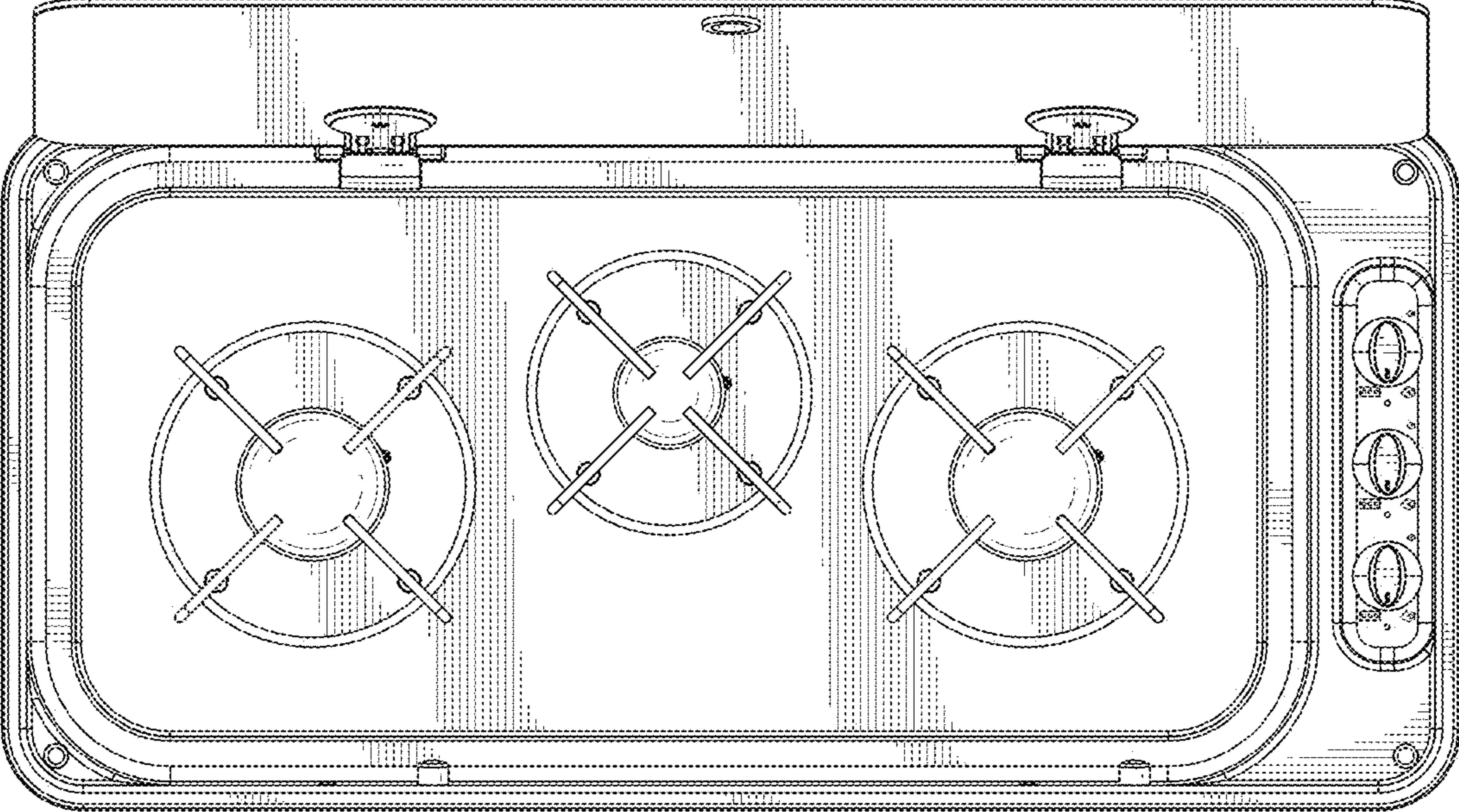


FIG.2

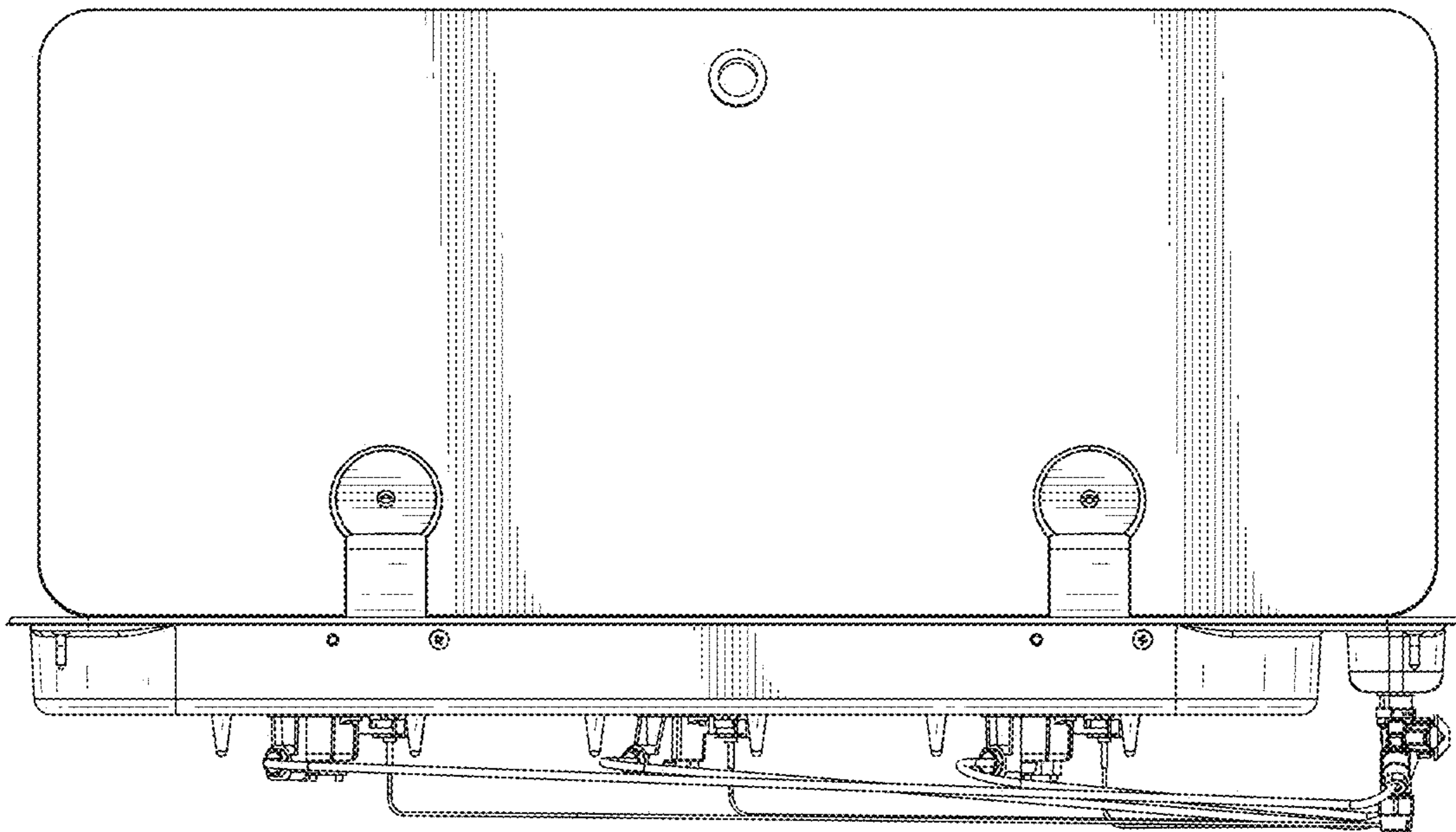


FIG.3

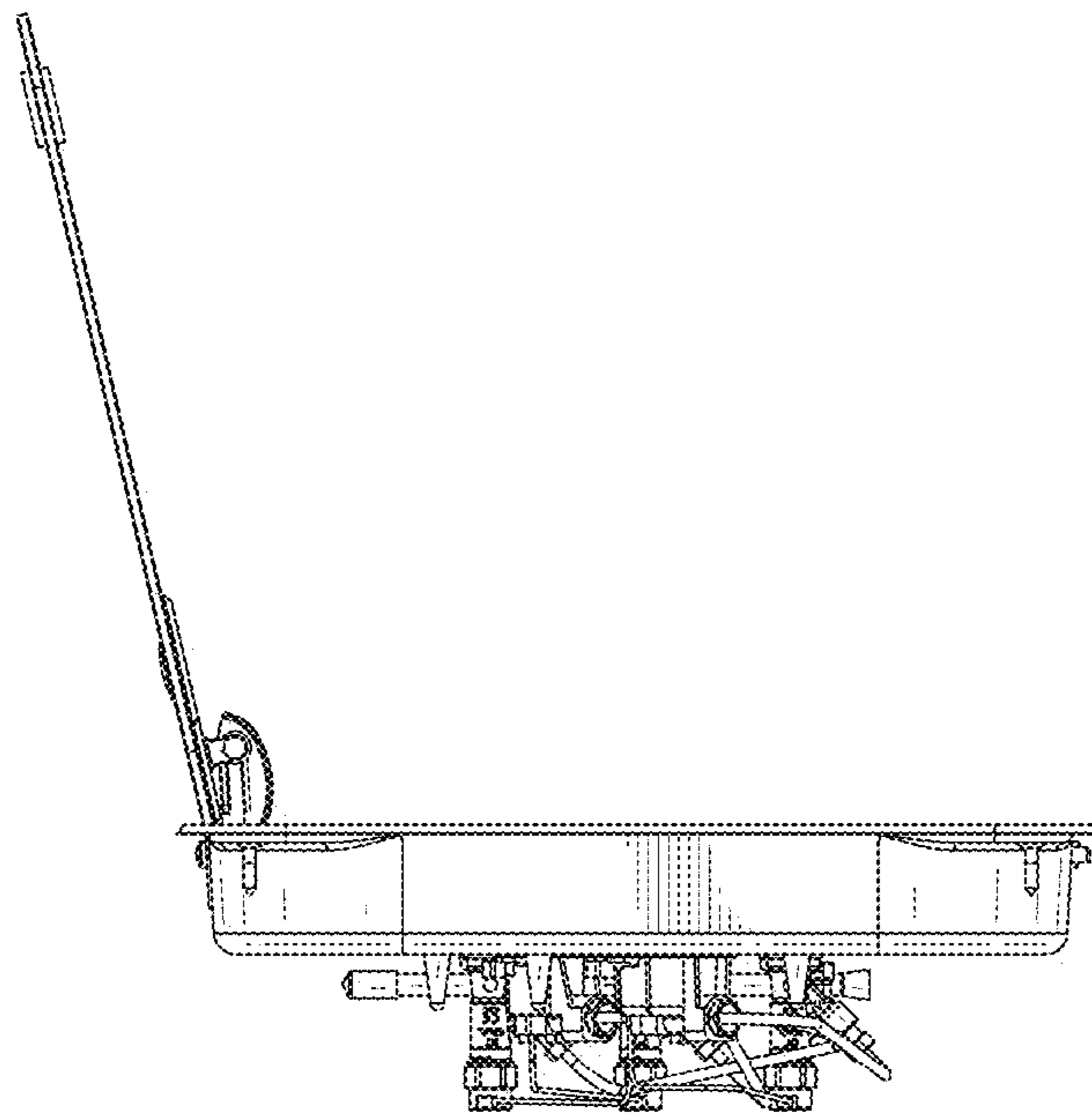


FIG.4

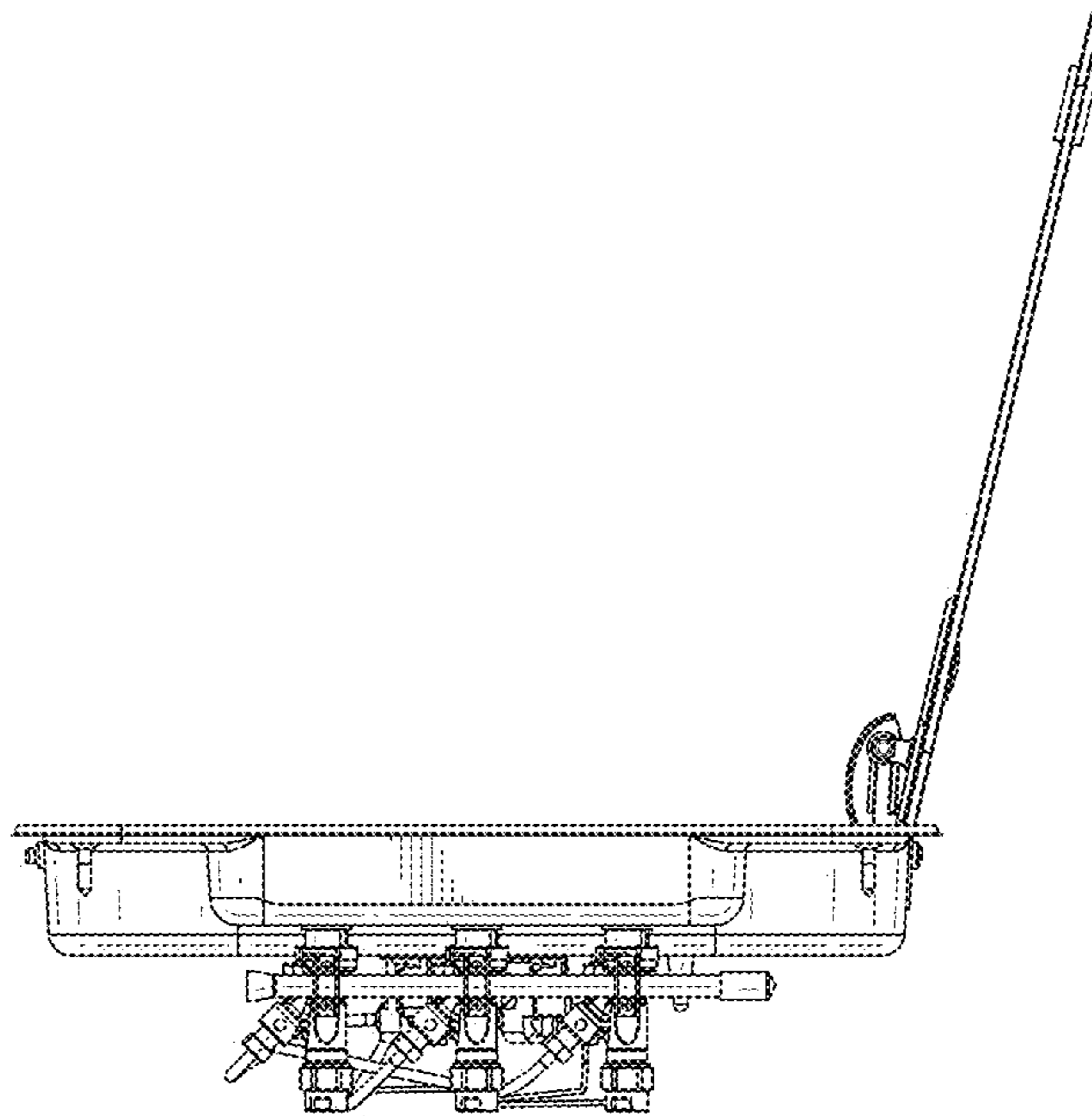


FIG.5

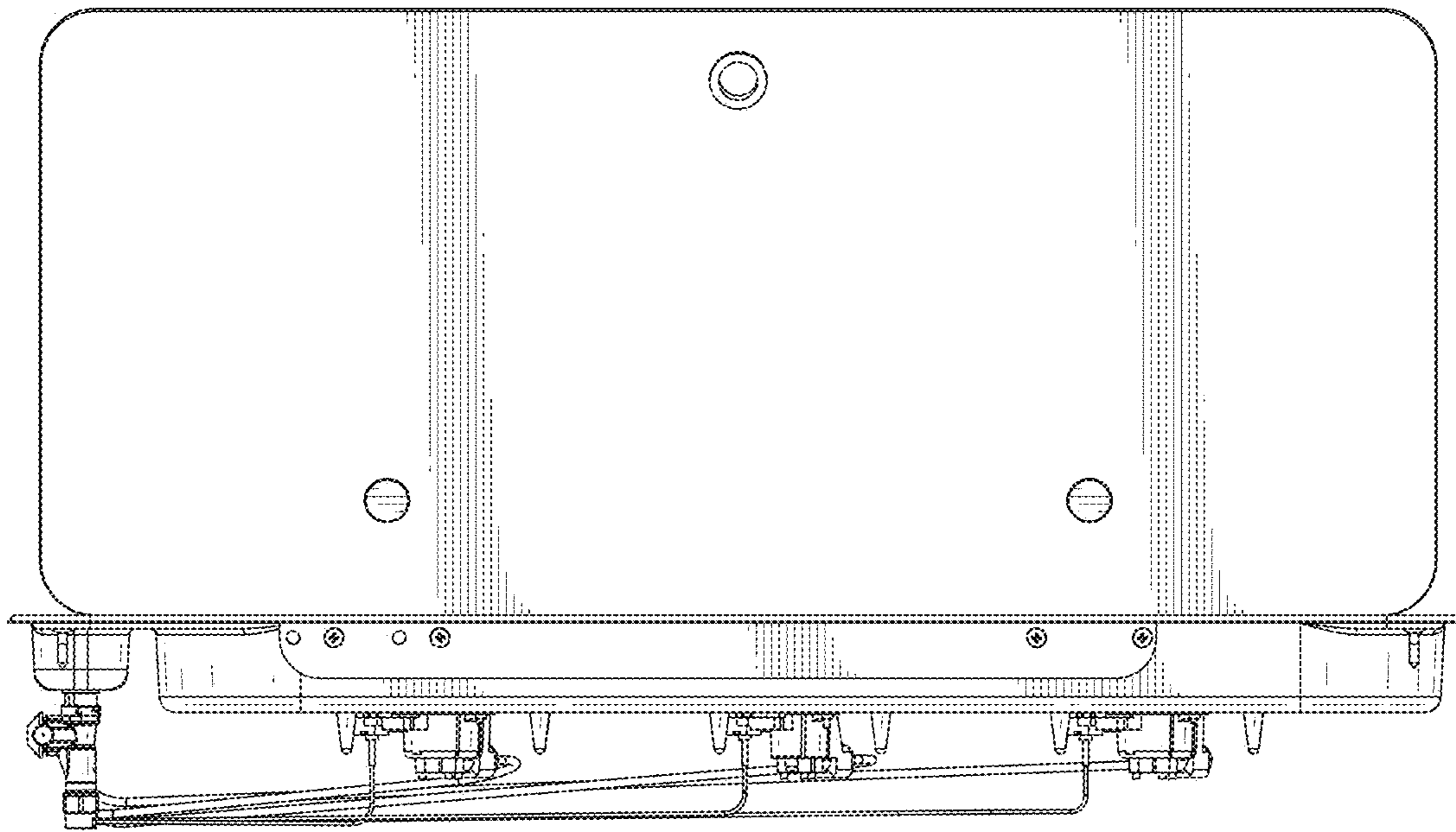


FIG.6

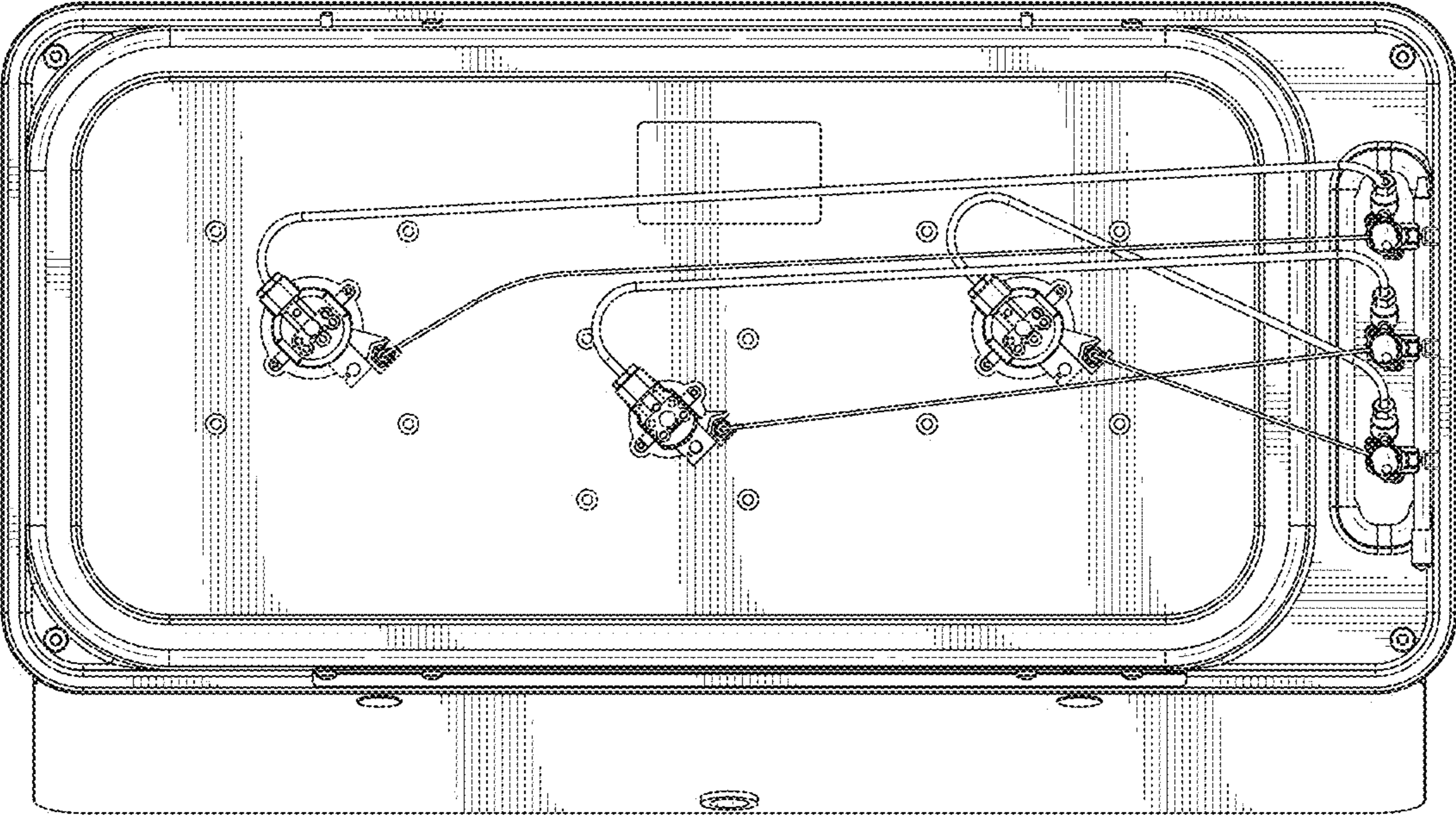


FIG.7