



US00D925964S

(12) **United States Design Patent** (10) **Patent No.:** **US D925,964 S**
Sengoku et al. (45) **Date of Patent:** **** Jul. 27, 2021**

(54) **CASSETTE STOVE**

(71) Applicant: **SENGOKU WORKS, LTD.**, Kasai (JP)

(72) Inventors: **Tadashi Sengoku**, Kasai (JP); **Takehira Sengoku**, Kasai (JP); **Akihiko Shirota**, Kasai (JP)

(73) Assignee: **SENGOKU WORKS, LTD.**, Kasai (JP)

(**) Term: **15 Years**

(21) Appl. No.: **29/707,989**

(22) Filed: **Oct. 2, 2019**

(30) **Foreign Application Priority Data**

Apr. 5, 2019 (JP) 2019-007474

(51) **LOC (13) Cl.** **07-02**

(52) **U.S. Cl.**
USPC **D7/337**

(58) **Field of Classification Search**
USPC D7/323, 332, 334-337, 339-341, D7/346-349, 350.1, 350.3, 351-353, 362, D7/363, 387, 402, 403, 405-409; D8/315-318

CPC .. A47J 33/00; A47J 36/00; A47J 36/26; A47J 37/00; A47J 37/04; A47J 37/06; A47J 37/0611; A47J 37/0623; A47J 37/0647; A47J 37/0652; A47J 37/07; A47J 37/0704; A47J 37/0713; A47J 37/0718; A47J 37/0727; A47J 37/0731; A47J 37/074; A47J 37/0754; A47J 37/0763; A47J 2037/0777; F24C 14/10; F24C 1/00; F24C 3/00; F24C 3/002; F24C 3/022; F24C 3/042; F24C 3/08; F24C 3/082; F24C 3/10; F24C 3/106; F24C 3/14; F24C 7/00; F24C 7/02; F24C 7/04; F24C 7/043; F24C 7/10; F24C 7/083; F24C 15/10; F24C 15/36

See application file for complete search history.

(56) **References Cited**

U.S. PATENT DOCUMENTS

D246,151 S * 10/1977 Chan D7/337
D762,409 S * 8/2016 Fisher D7/337
D775,888 S * 1/2017 Kim D7/337

(Continued)

FOREIGN PATENT DOCUMENTS

TW 431778 4/2001
TW D142945 10/2011

OTHER PUBLICATIONS

Coleman PowerPack Propane Stove, first available Apr. 20, 2005, Amazon, [online], [site visited Feb. 3, 2021], Available from internet URL: <https://www.amazon.com/Coleman-PowerPack-Propane-Single-Burner/dp/B0009PUS6M> (Year: 2005).*

(Continued)

Primary Examiner — Jeffrey D Asch
Assistant Examiner — Natalya M Rapundalo
(74) *Attorney, Agent, or Firm* — Edward J. Baba; Bret E. Field; Bozicevic, Field & Francis LLP

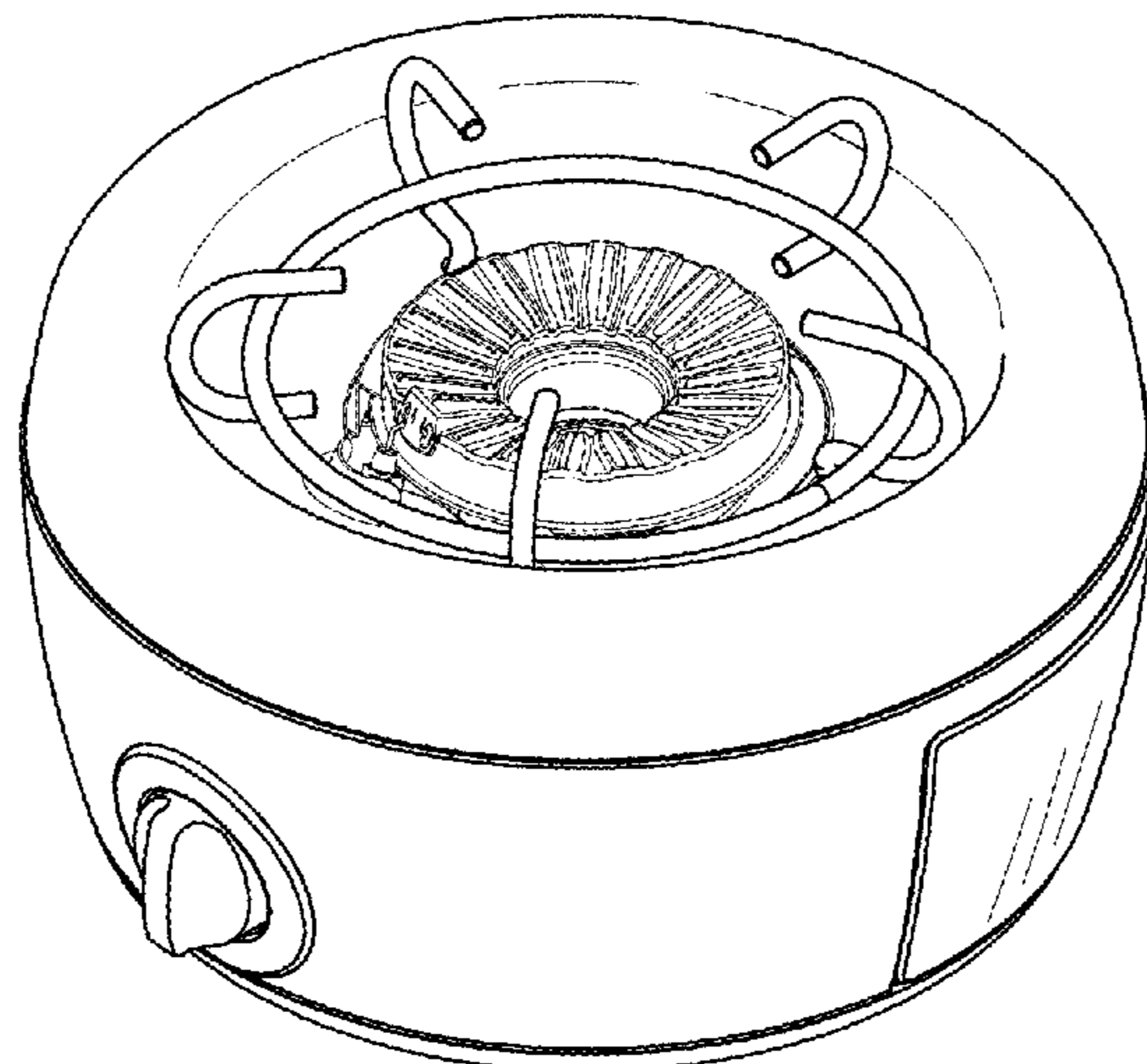
(57) **CLAIM**

The ornamental design for a cassette stove, as shown and described.

DESCRIPTION

FIG. 1 is a front view;
FIG. 2 is a rear view;
FIG. 3 is a right side view;
FIG. 4 is a left side view;
FIG. 5 is a top view;
FIG. 6 is a bottom view; and,
FIG. 7 is a perspective view.

1 Claim, 4 Drawing Sheets



(56)

References Cited

U.S. PATENT DOCUMENTS

2017/0150847 A1* 6/2017 Feng A47J 37/0763

OTHER PUBLICATIONS

Design No. D1562096, Sep. 30, 2016—Japan Patent Office Publication Date—Oct. 31, 2016 Owner—Sengoku Co Ltd, Designer—Sengoku Tadashi et. al. WIPO, available at <https://www3.wipo.int/designdb/en/index.jsp> (Year: 2016).*

Design No. D1643434, Sep. 20, 2019—Japan Patent Office Publication Date—Oct. 15, 2019 Owner—Sengoku Co Ltd, Designer—Yuji Sengoku et. al. WIPO, available at <https://www3.wipo.int/designdb/en/index.jsp> (Year: 2019).*

Design No. 305798517, May 22, 2020—China National Intellectual Property Administration (CNIPA) Publication Date—May 22, 2020 Owner—Sengoku Co Ltd, Designer—Sengoku Tadashi et. al. WIPO, available at <https://www3.wipo.int/designdb/en/index.jsp> (Year: 2020).*

* cited by examiner

FIG. 1

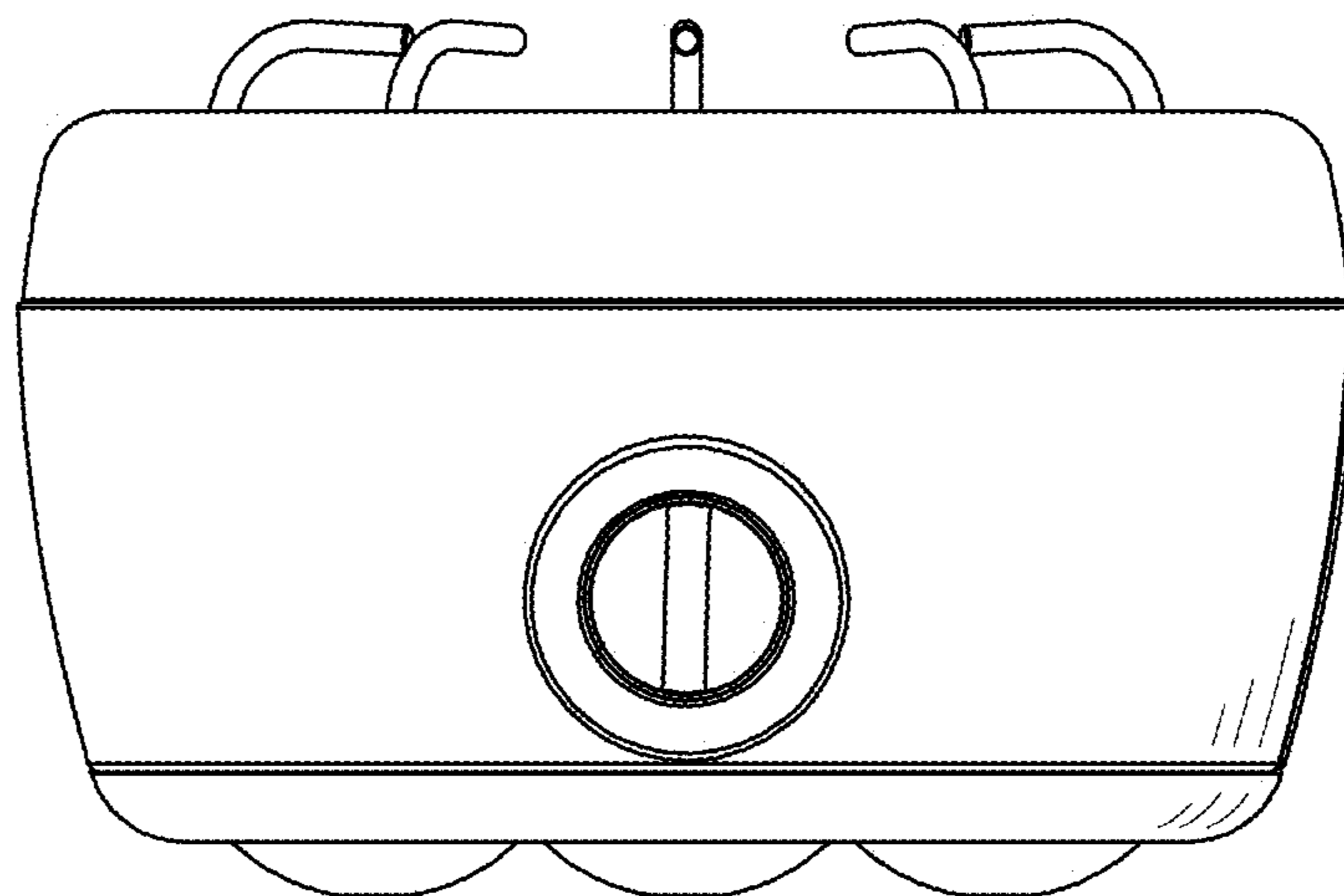


FIG. 2

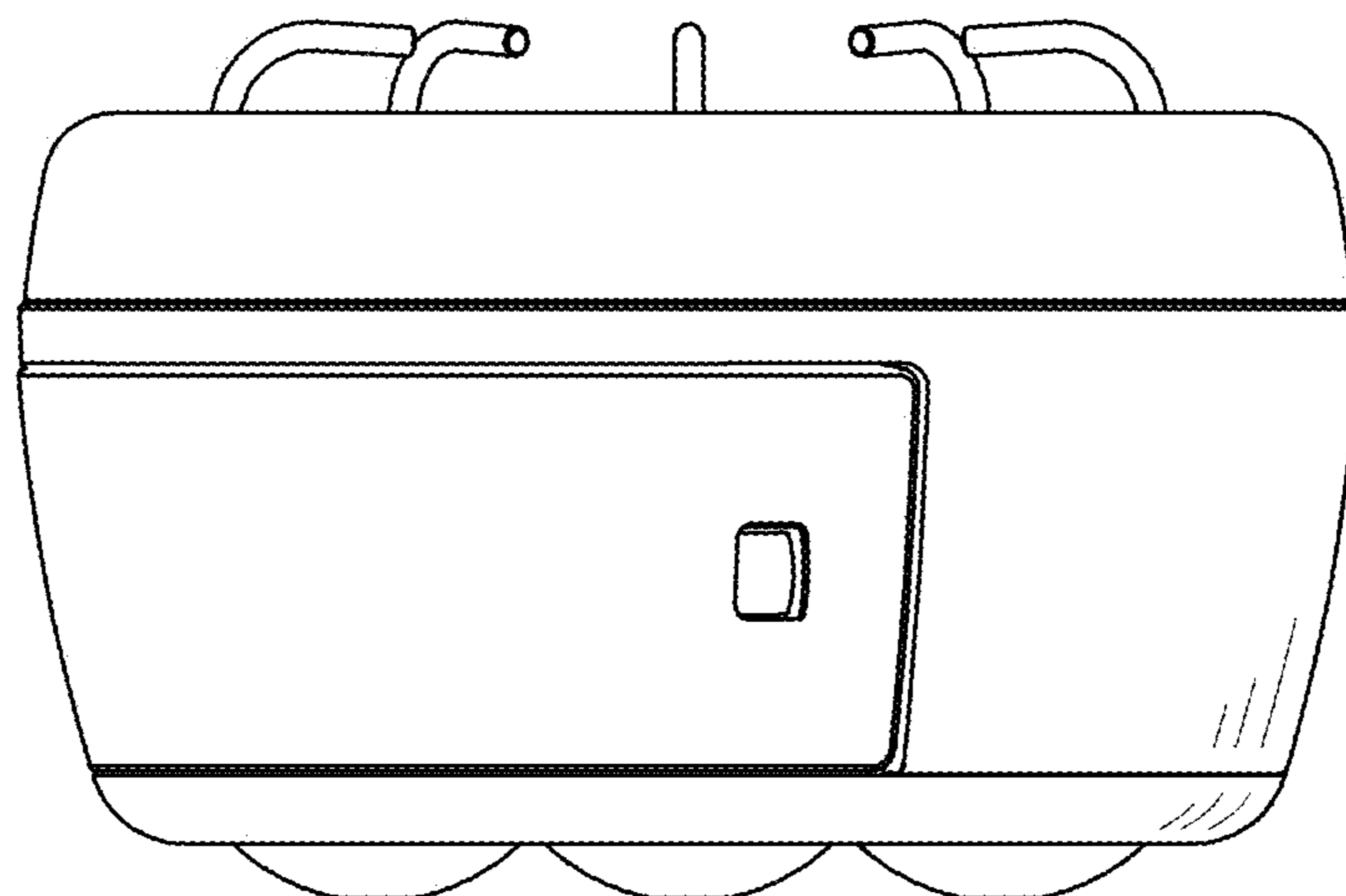


FIG. 3

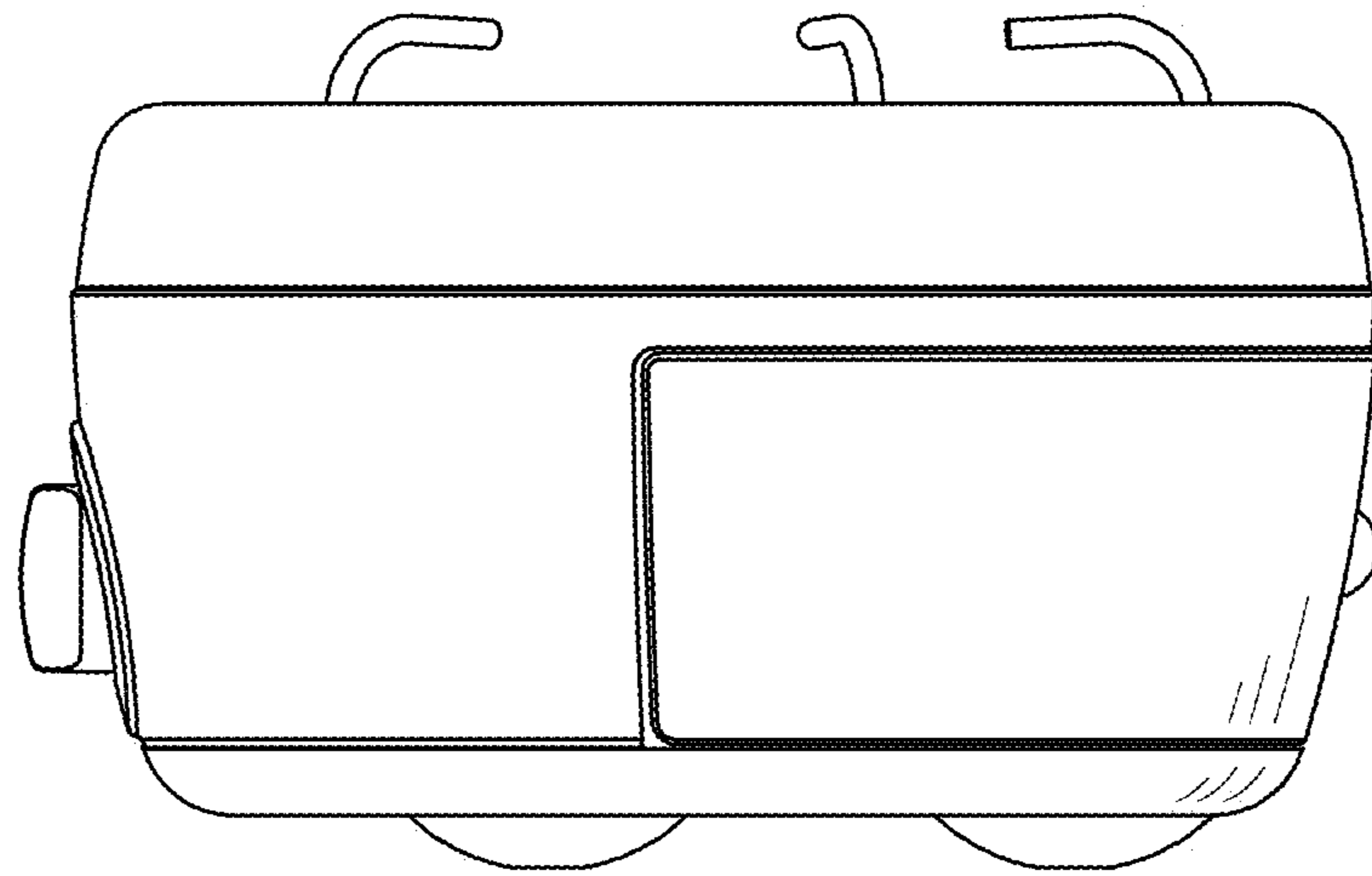


FIG. 4

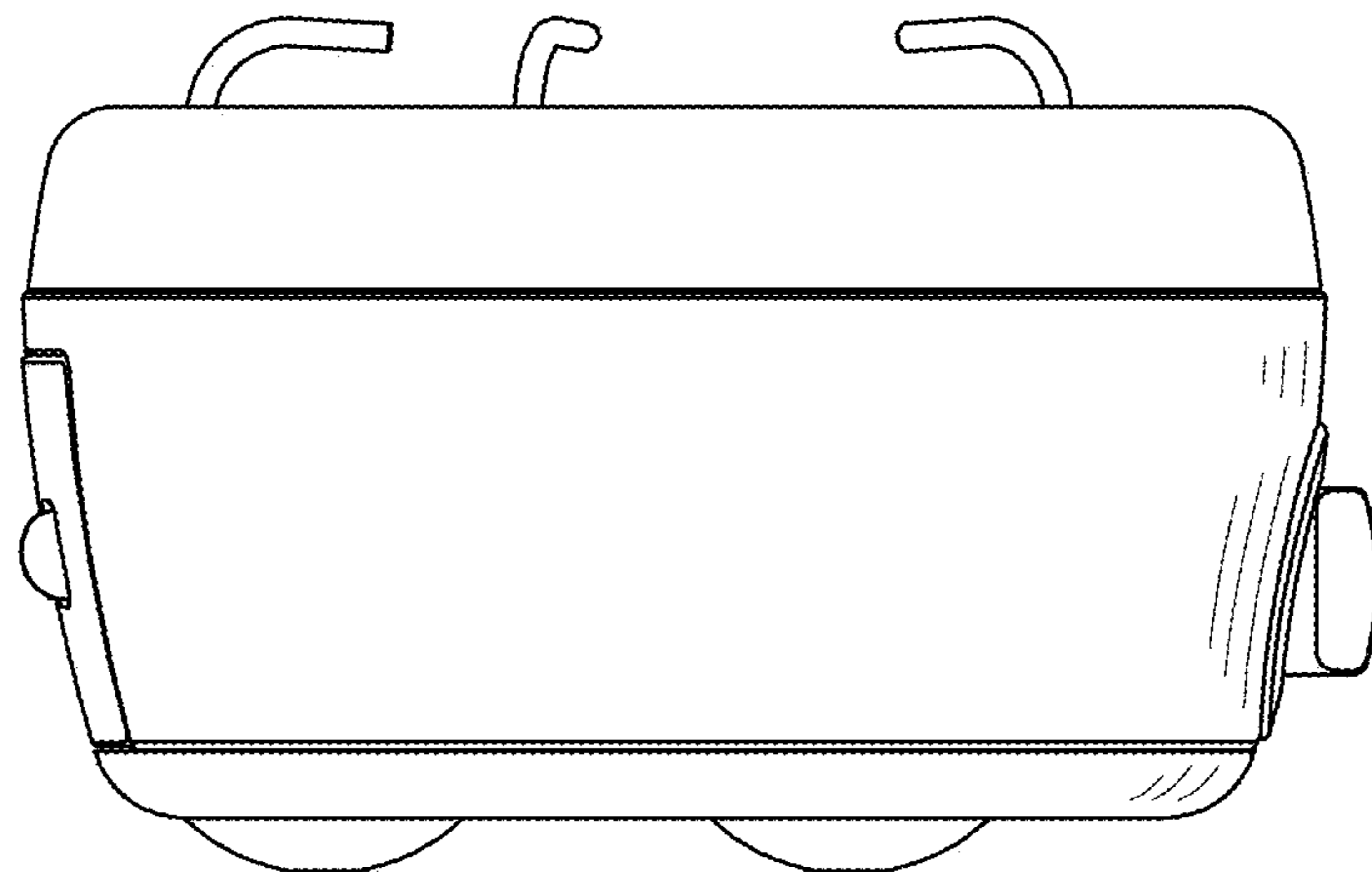


FIG. 5

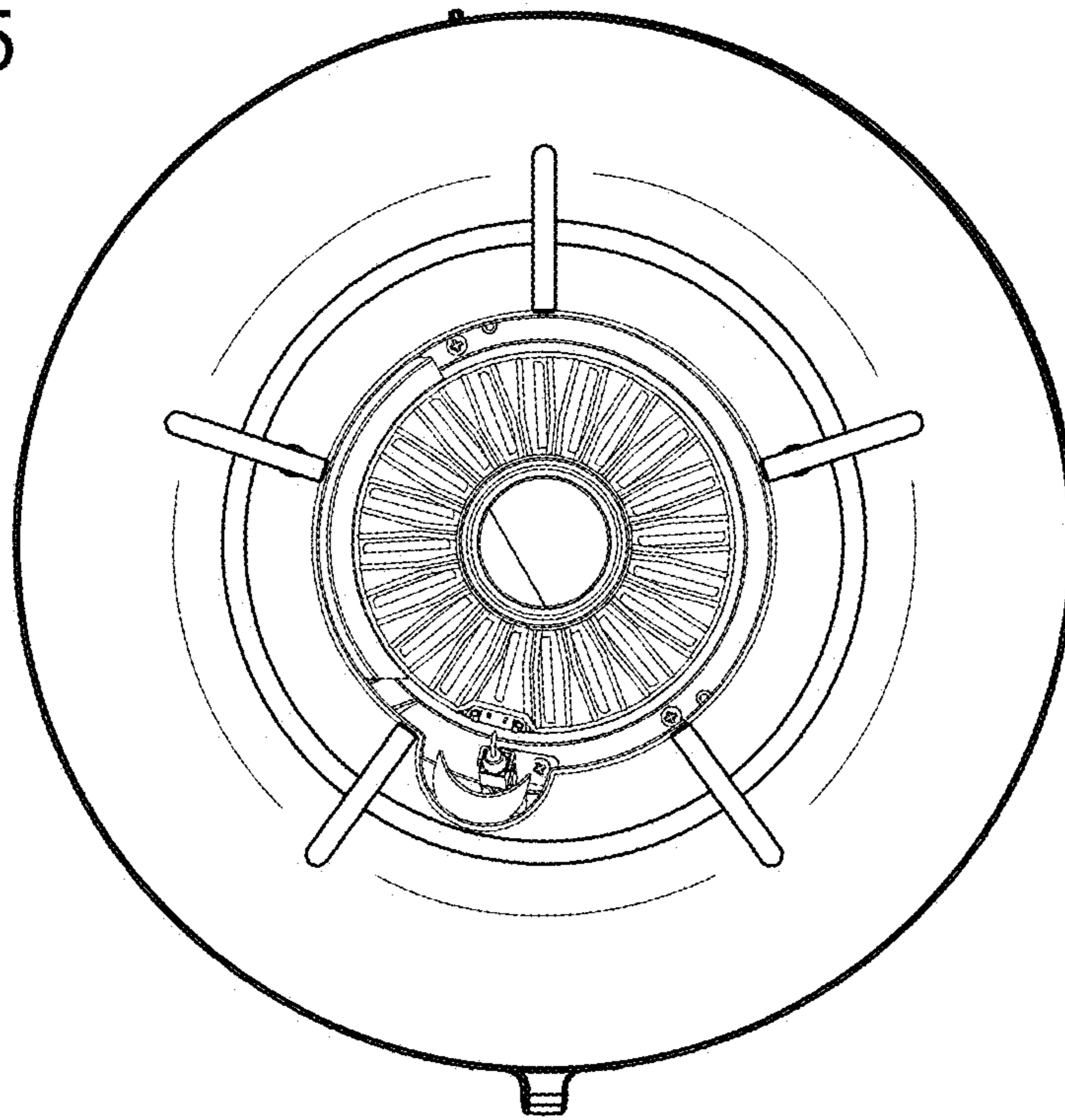


FIG. 6

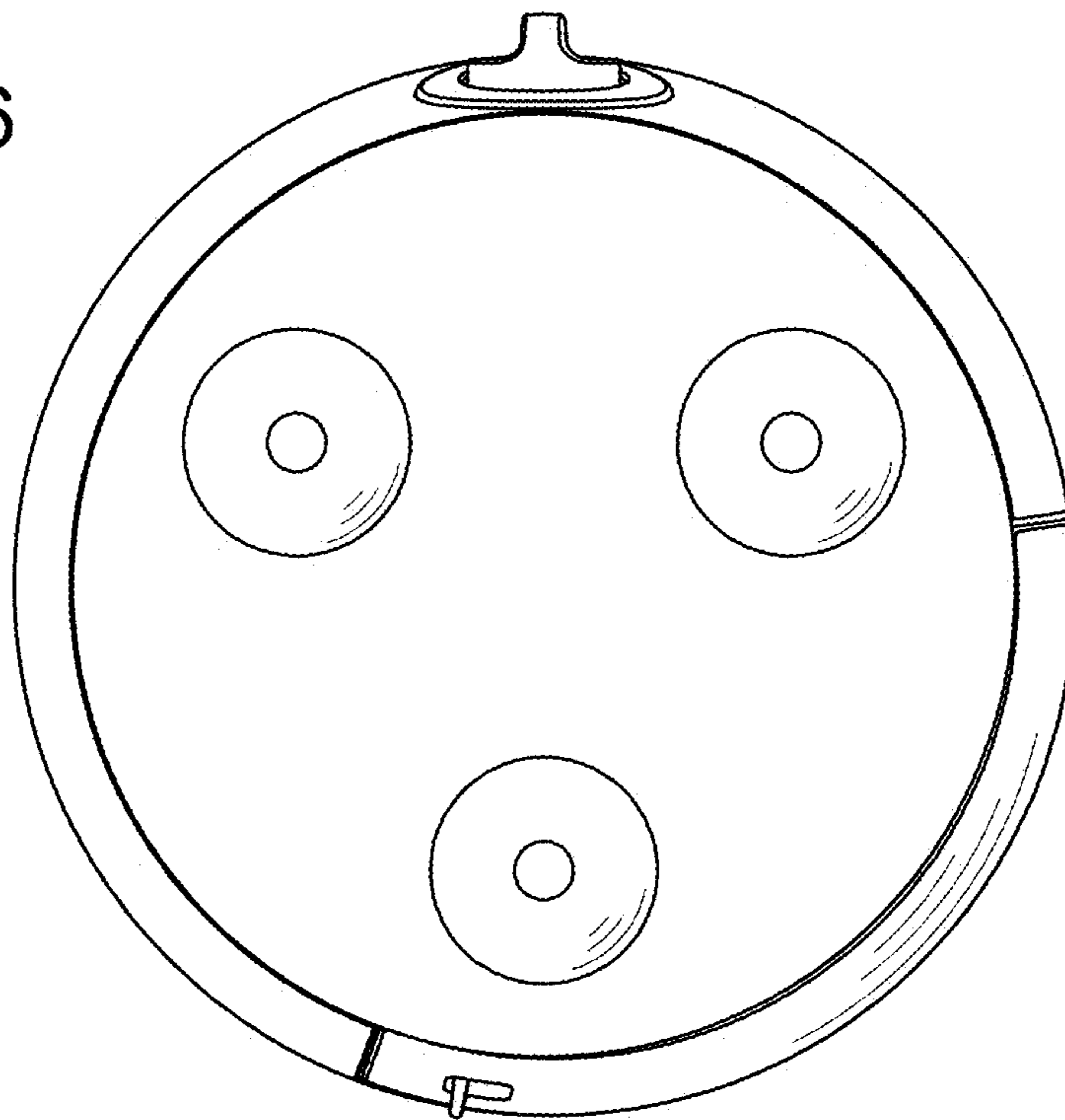


FIG. 7

