



US00D925963S

(12) **United States Design Patent** (10) **Patent No.:** **US D925,963 S**
Kim (45) **Date of Patent:** **** Jul. 27, 2021**

(54) **METAL BRAZIER**

(71) Applicant: **Tae Hwan Kim**, Wonju-si (KR)

(72) Inventor: **Tae Hwan Kim**, Wonju-si (KR)

(**) Term: **15 Years**

(21) Appl. No.: **35/509,260**

(22) Filed: **Oct. 31, 2019**

(80) **Hague Agreement Data**

Int. Filing Date: **Oct. 31, 2019**

Int. Reg. No.: **DM/207400**

Int. Reg. Date: **Oct. 31, 2019**

Int. Reg. Pub. Date: **May 1, 2020**

(51) **LOC (13) Cl.** **07-02**

(52) **U.S. Cl.**
USPC **D7/332; D23/332**

(58) **Field of Classification Search**
USPC D23/314, 317, 332, 336, 342-350, 329,
D23/338, 339; D7/332, 334-337, 339,
D7/341
CPC F24B 3/00; F24B 1/195; F24B 1/00; F24B
13/00; F24B 1/18; F24B 13/004; F24B
1/192; F24B 1/181; F24B 1/182; F24B
1/1802; A47J 2037/0777; A47J 37/0763;
F24C 7/105; F24C 1/10; F24C 3/04;
F24C 7/065

See application file for complete search history.

(56) **References Cited**

U.S. PATENT DOCUMENTS

D734,974 S * 7/2015 Barford D7/332
D843,781 S * 3/2019 Jaggard D7/402

D896,358 S * 9/2020 Xu D23/332
2014/0116411 A1 * 5/2014 Jewett F24B 13/04
126/19 R
2016/0309662 A1 * 10/2016 Green A47J 37/0763
2018/0035846 A1 * 2/2018 Zheng A47J 37/0754
2018/0333003 A1 * 11/2018 Huang A47J 37/079
2019/0254477 A1 * 8/2019 Skillman A47J 37/0763

* cited by examiner

Primary Examiner — Michael A. Pratt

(57) **CLAIM**

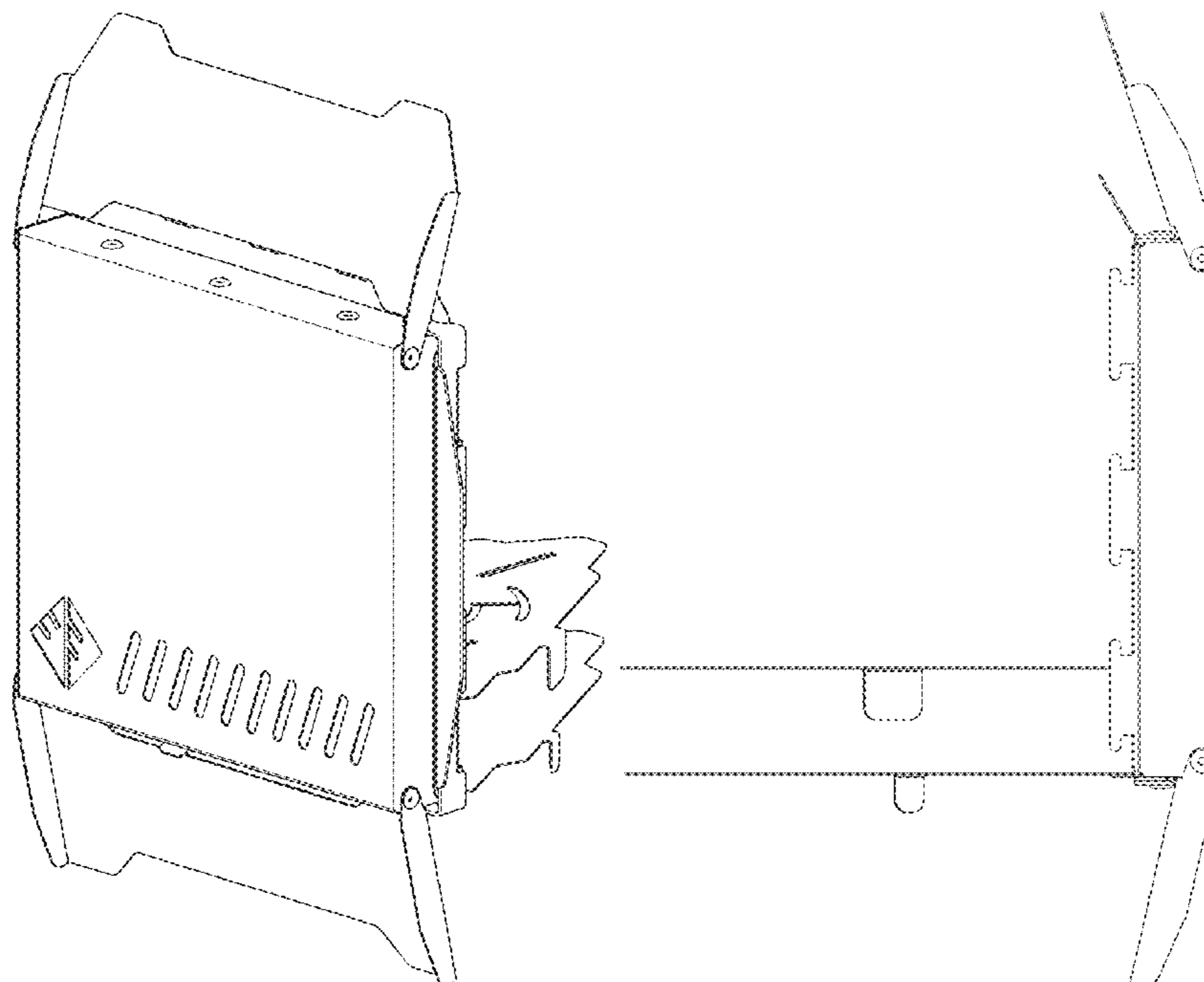
The ornamental design for a metal brazier, as shown and described.

DESCRIPTION

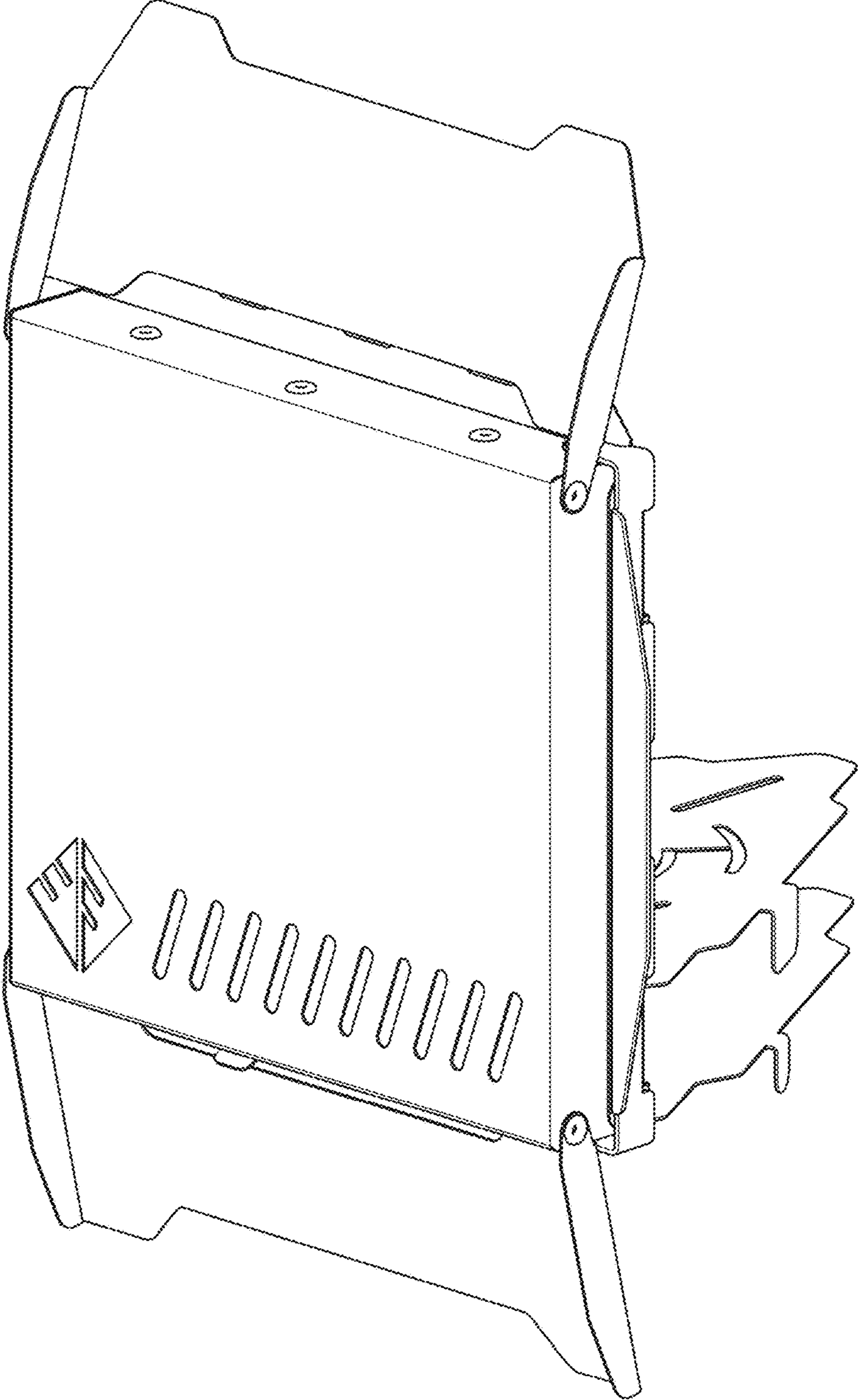
- 1. Metal brazier
- 1.1 : Perspective
- 1.2 : Front
- 1.3 : Back
- 1.4 : Left
- 1.5 : Right
- 1.6 : Top
- 1.7 : Bottom
- 1.8 : Bottom and back perspective view
- 1.9 : Reference drawing 1
- 1.10 : Reference drawing 2
- 1.11 : Reference drawing 3
- 1.12 : Reference drawing 4
- 1.13 : Reference drawing 5

This article is a metal brazier; multiple metal braziers can be connected together as shown in 1.9 to 1.13; 1.9 to 1.13 are reference drawings which form no part of claimed design.

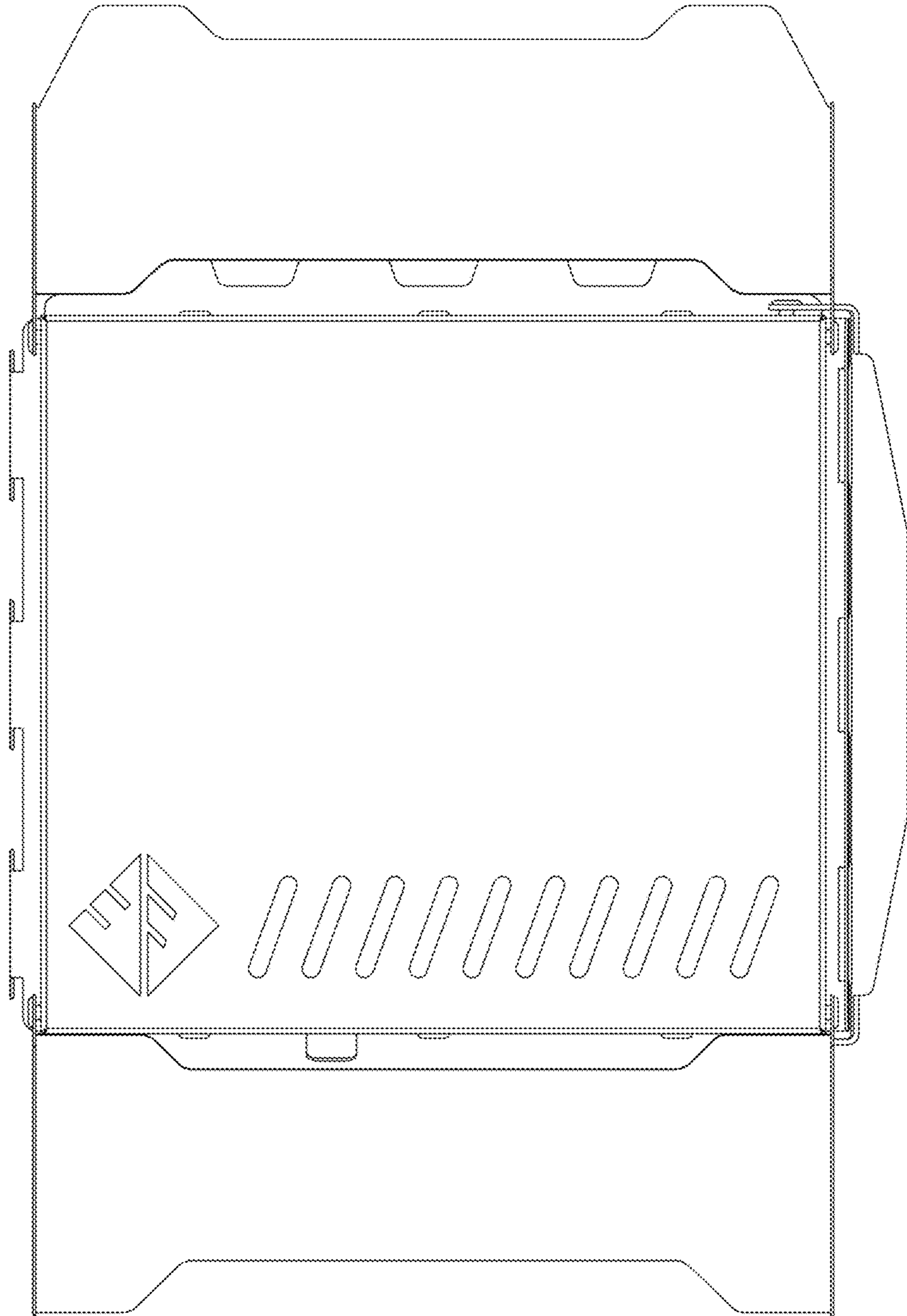
1 Claim, 13 Drawing Sheets



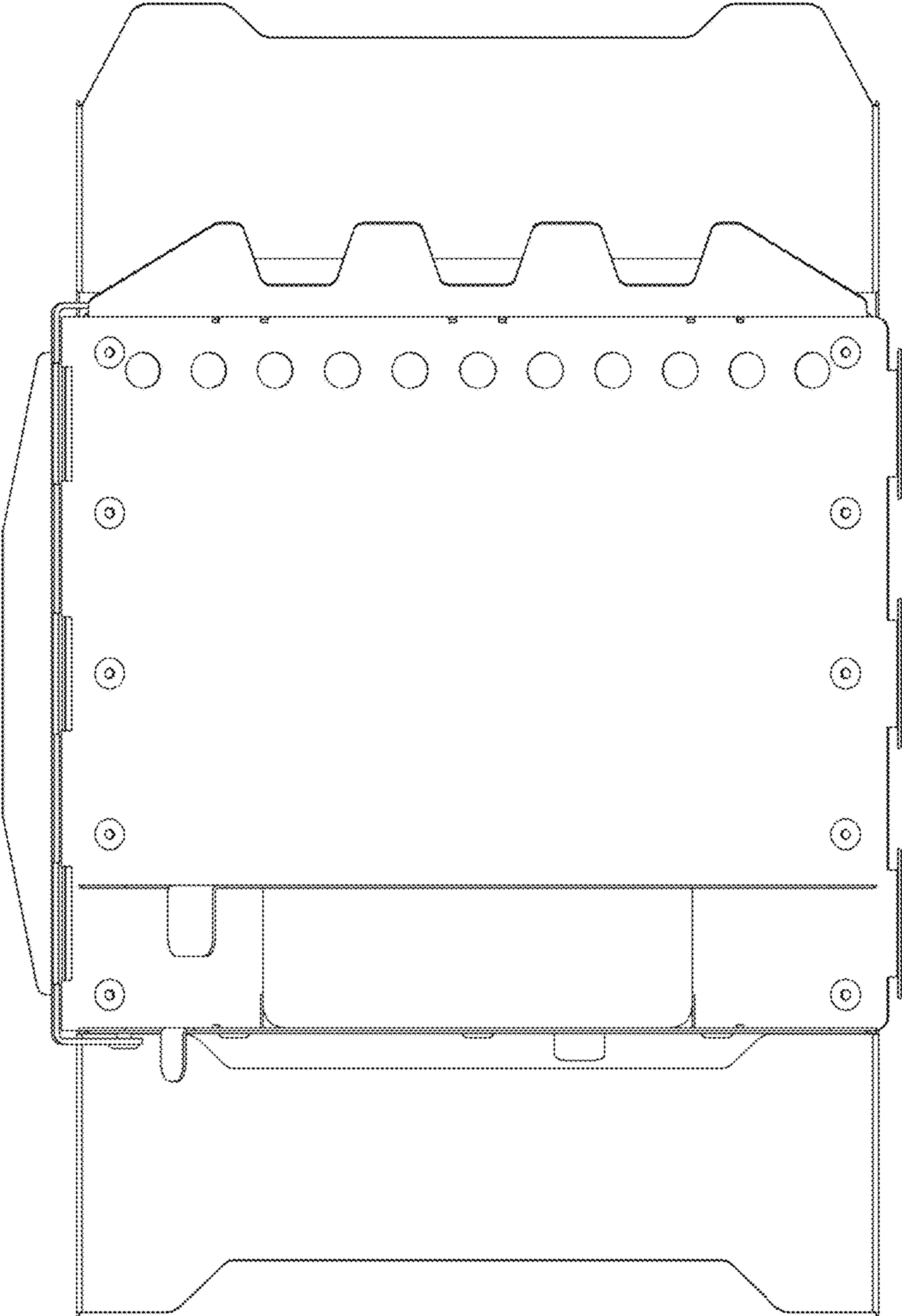
1.1



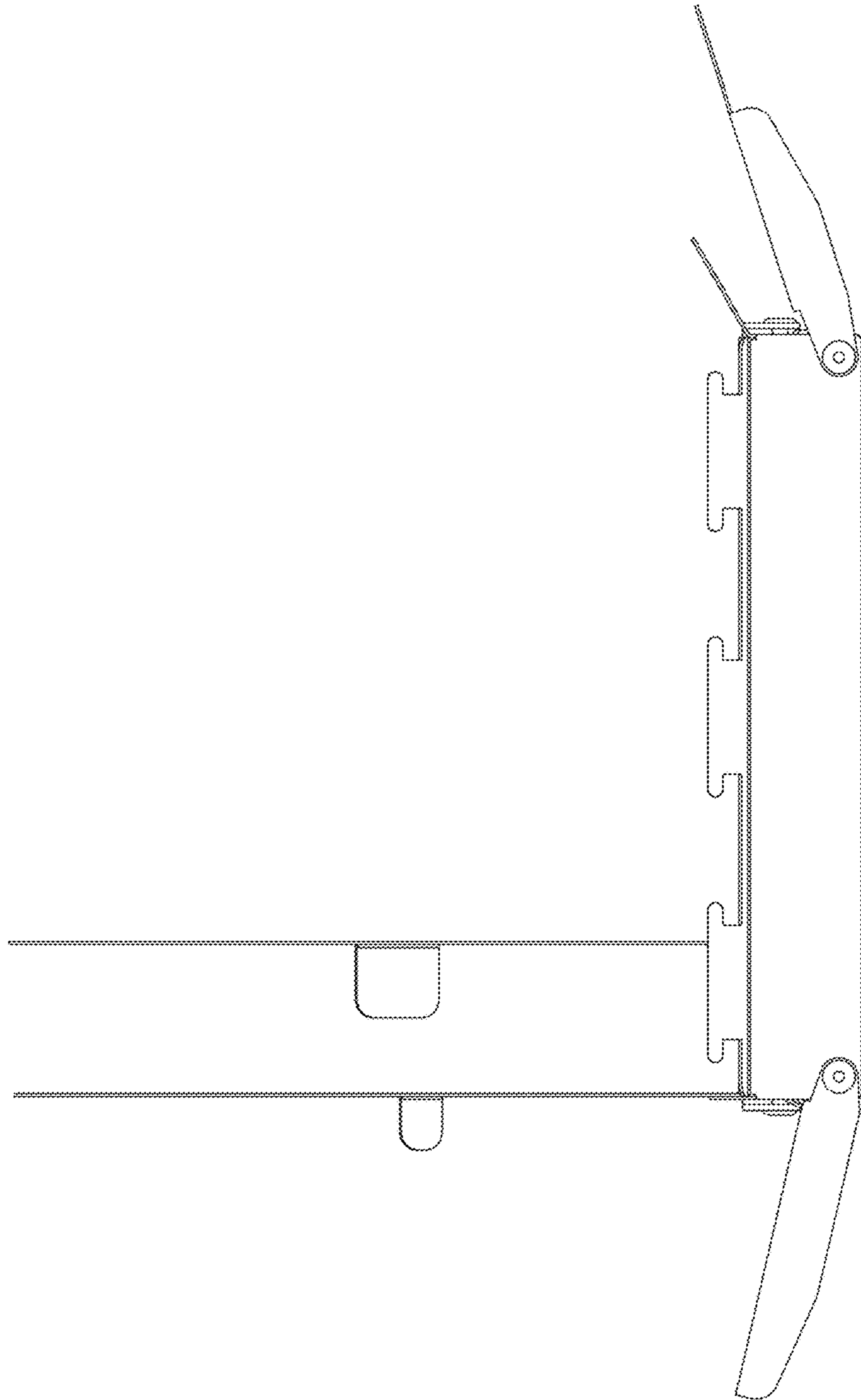
1.2



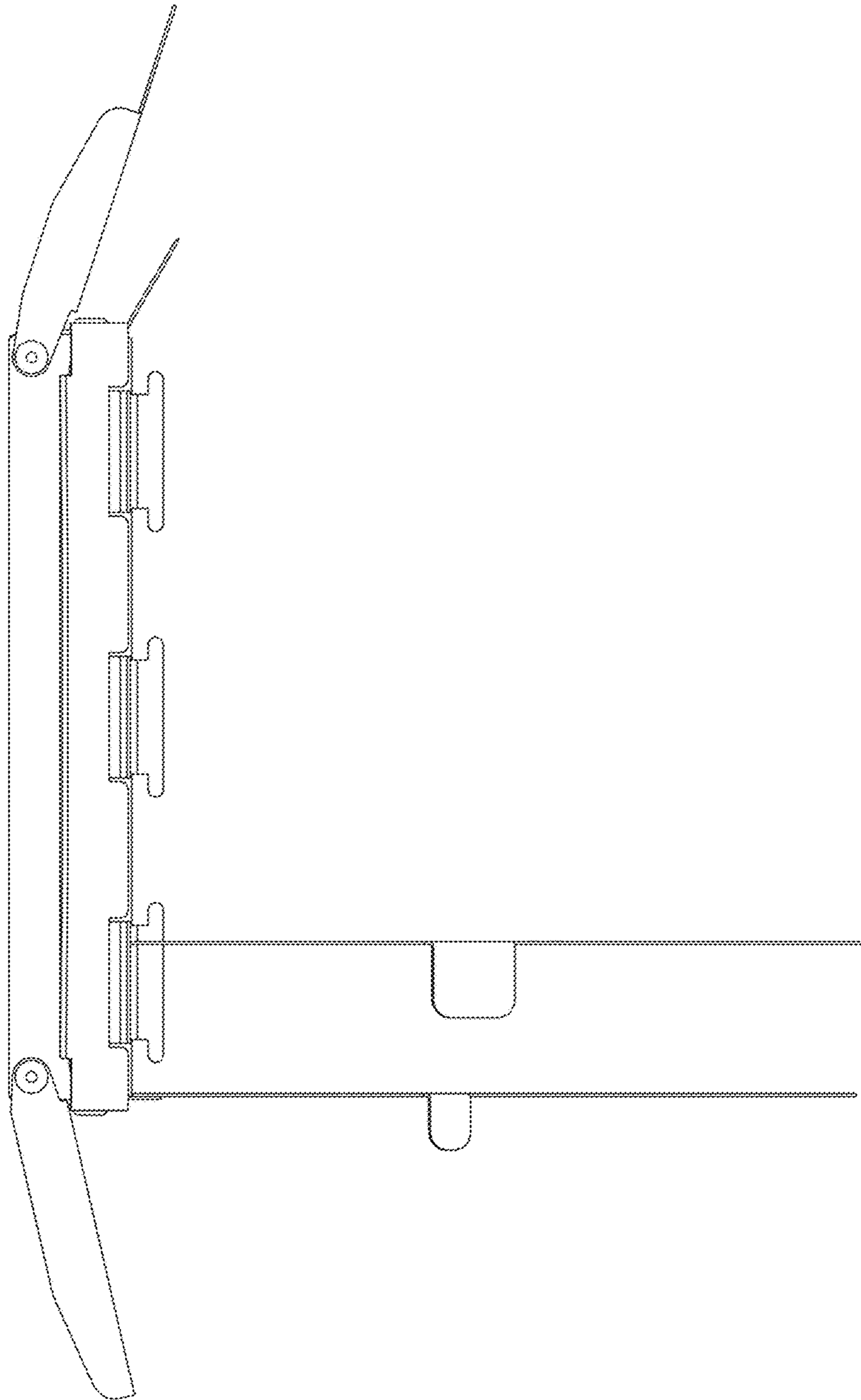
1.3



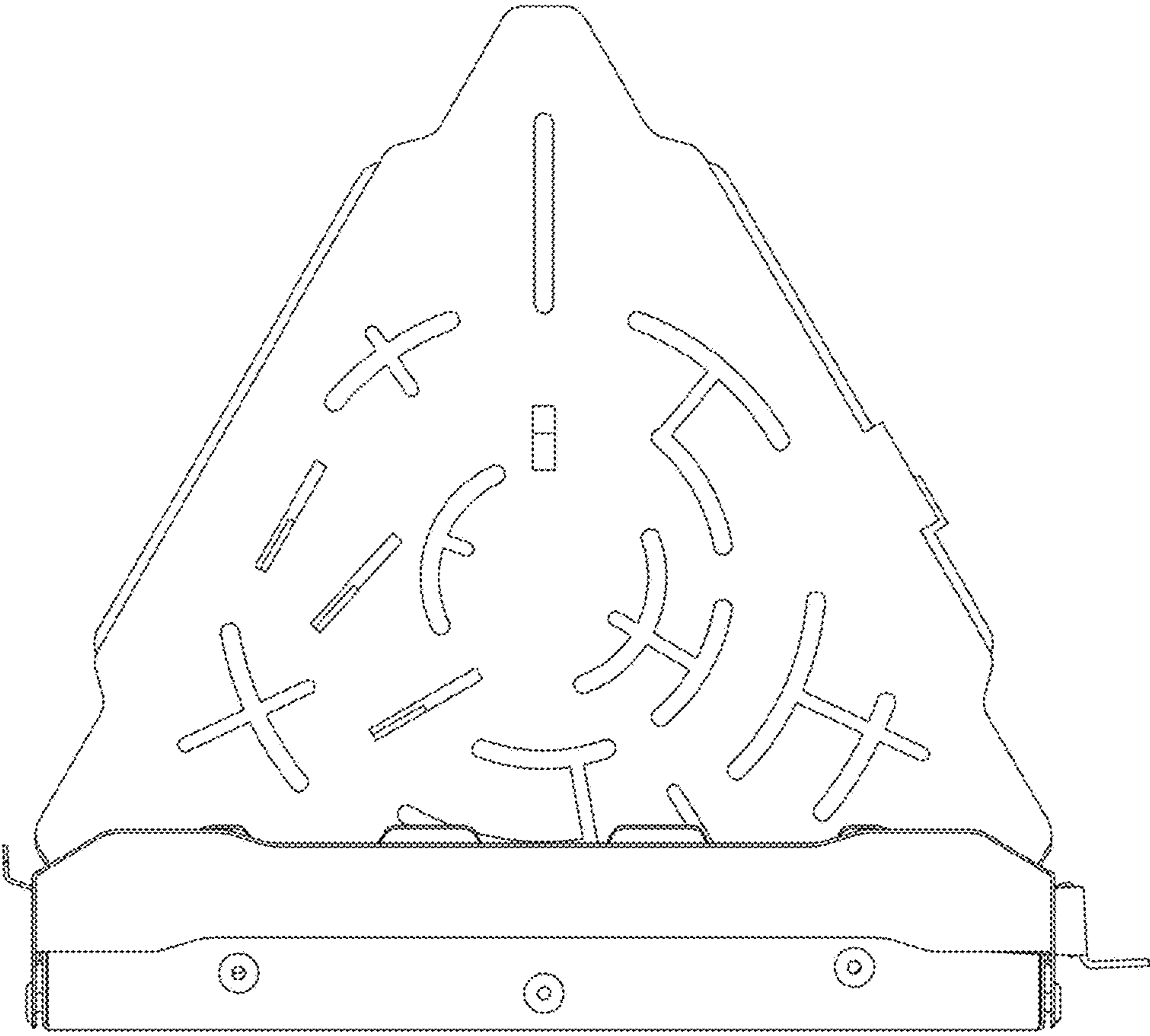
1.4



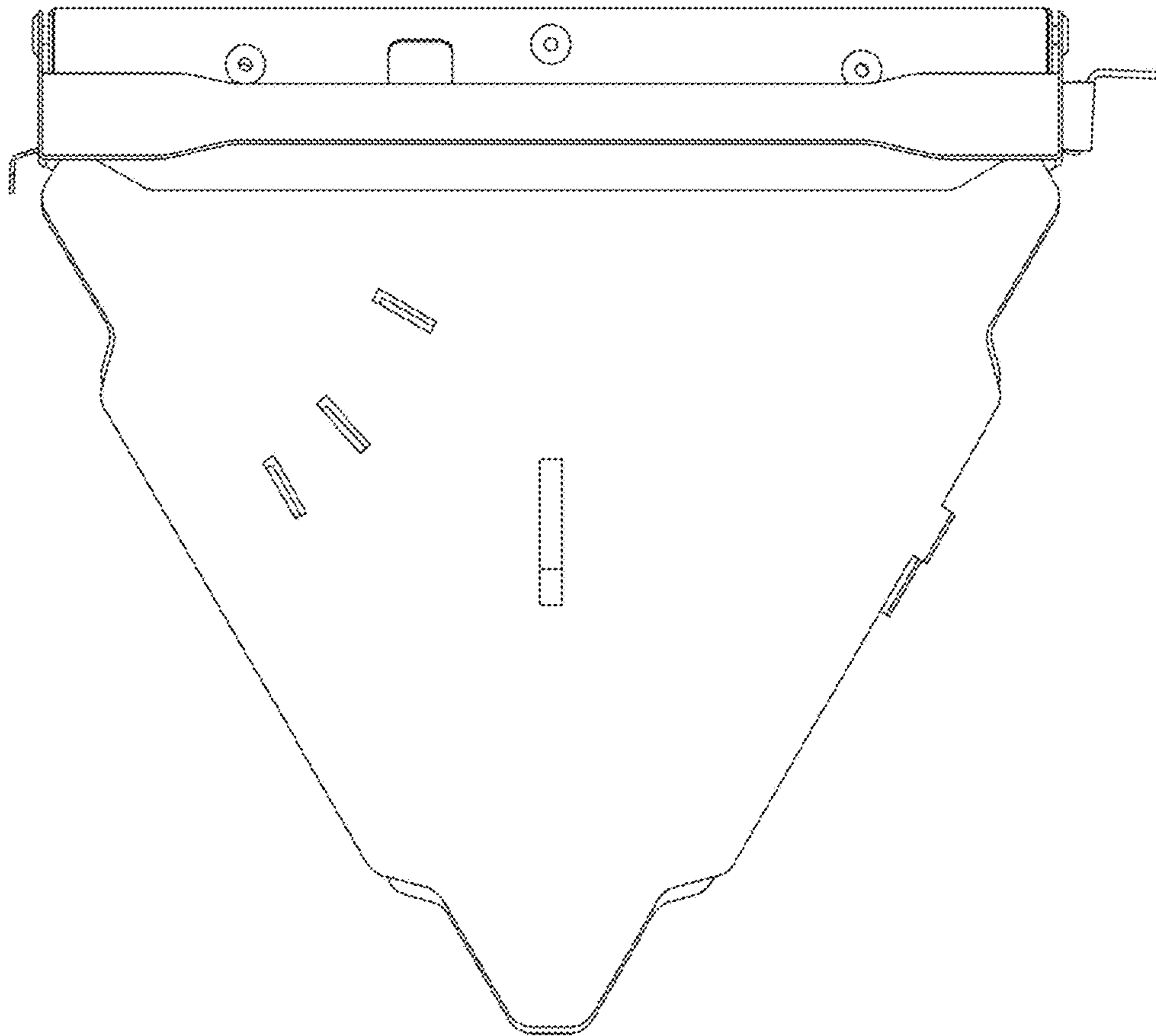
1.5



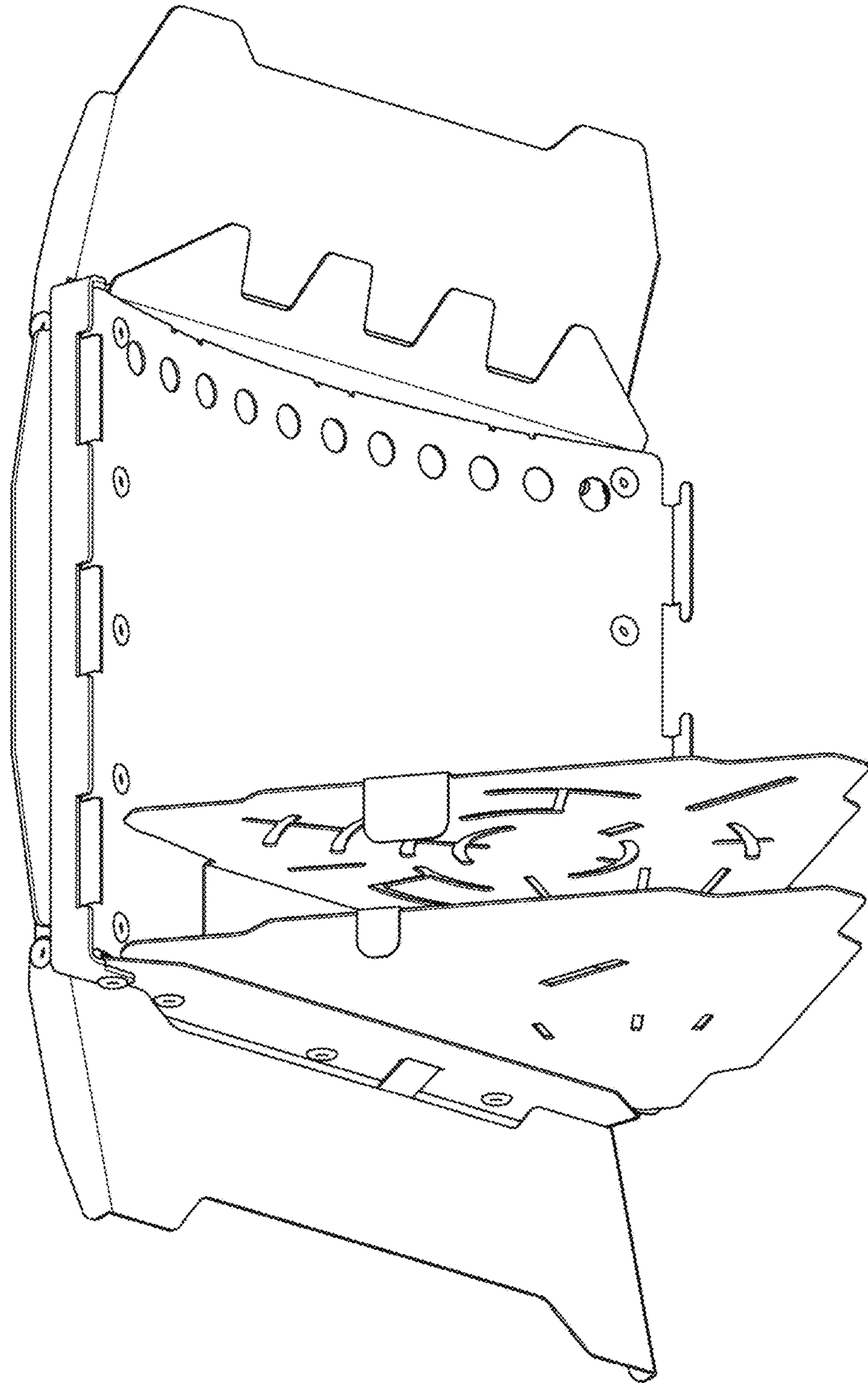
1.6



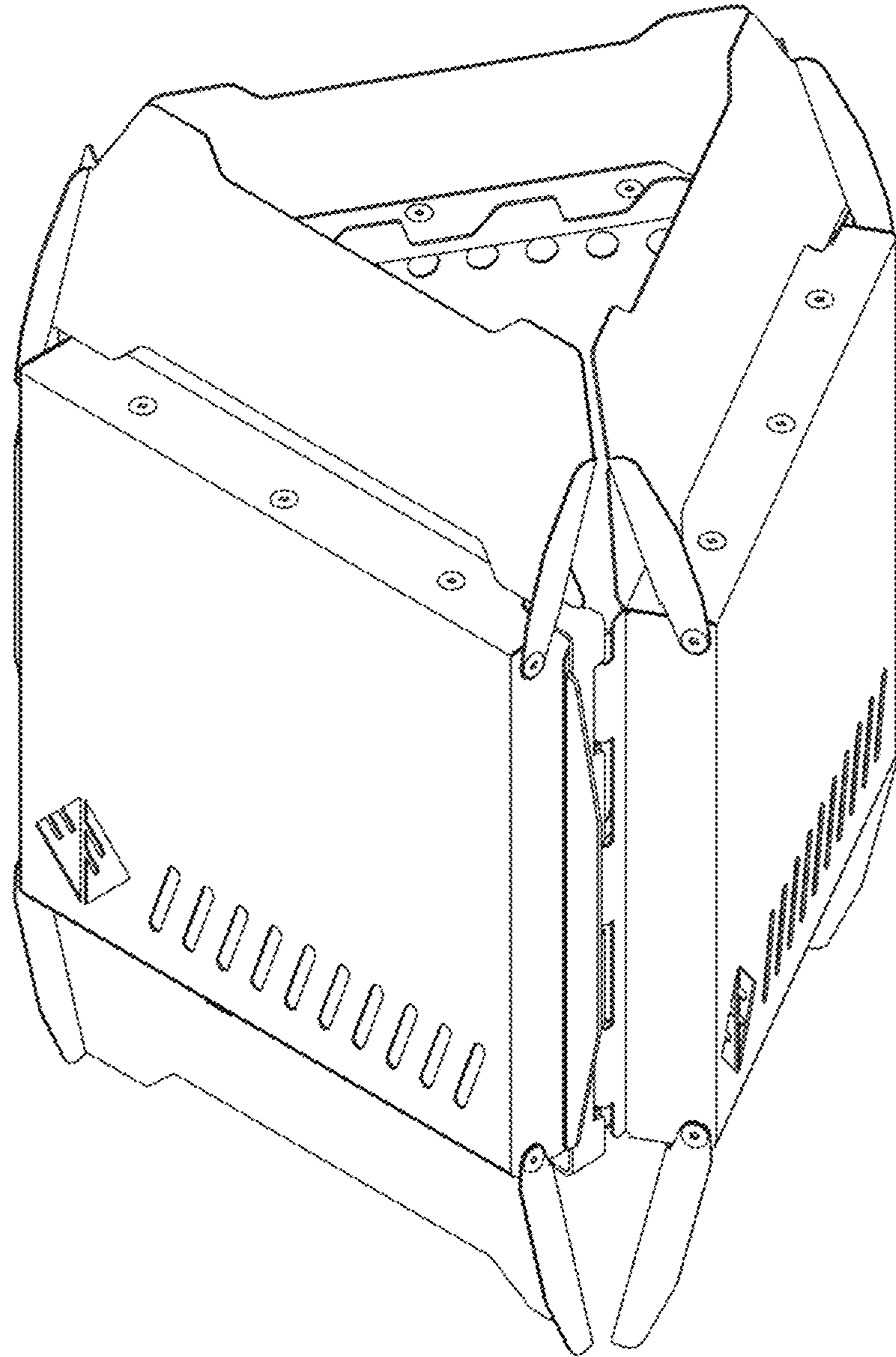
1.7



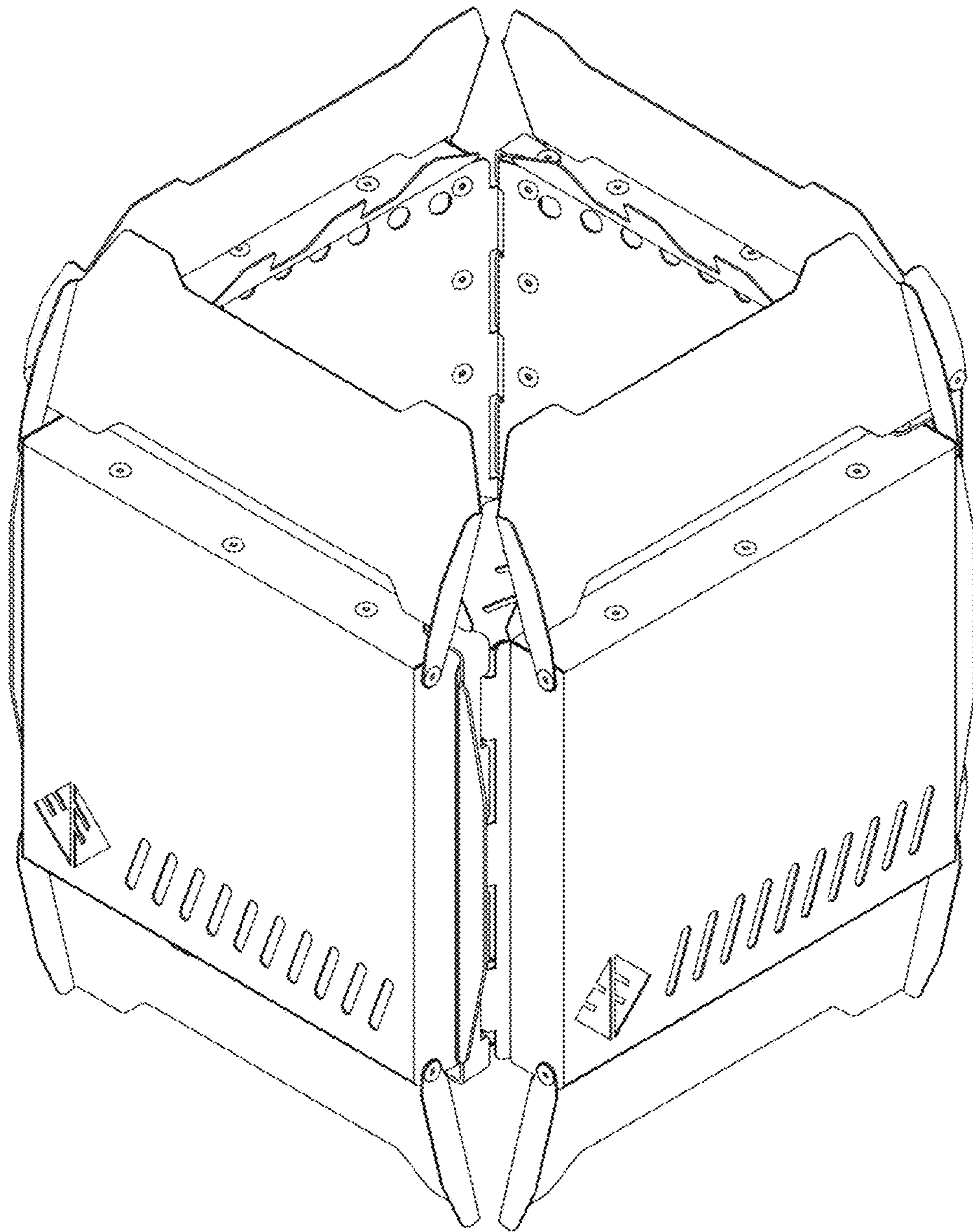
1.8



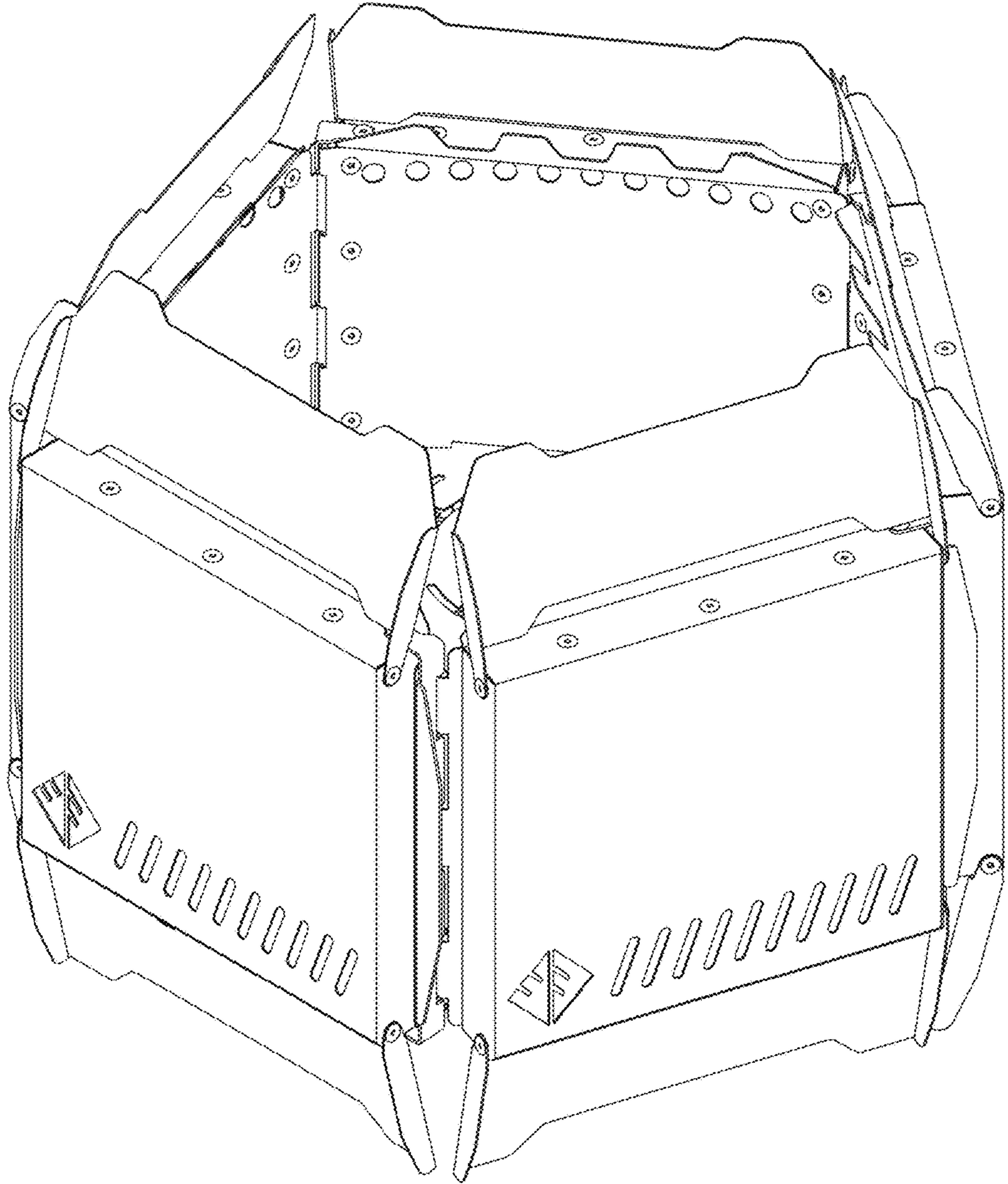
1.9



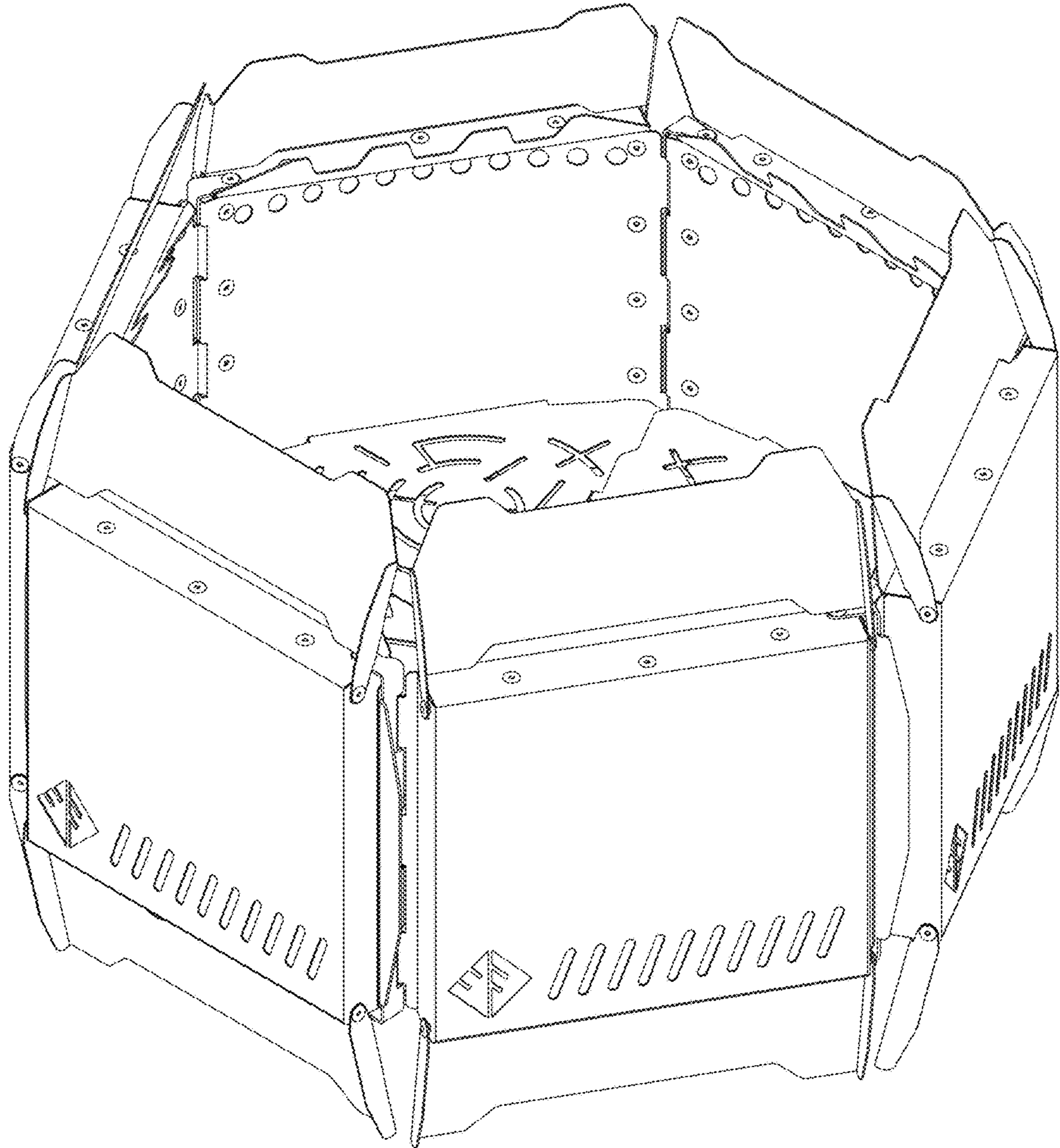
1.10



1.11



1.12



1.13

