



US00D925962S

(12) **United States Design Patent** (10) **Patent No.:** **US D925,962 S**
Tapaninaho et al. (45) **Date of Patent:** **** Jul. 27, 2021**

(54) **OVEN**

(71) Applicant: **OONI LIMITED**, West Lothian (GB)

(72) Inventors: **Kristian Tapaninaho**, West Lothian (GB); **Gavin Klocek**, West Lothian (GB)

(73) Assignee: **OONI LIMITED**, Broxburn (GB)

(**) Term: **15 Years**

(21) Appl. No.: **29/702,080**

(22) Filed: **Aug. 16, 2019**

(30) **Foreign Application Priority Data**

Feb. 18, 2019	(GB)	6054757
Feb. 18, 2019	(GB)	6054758
Feb. 18, 2019	(GB)	6054759
Feb. 18, 2019	(GB)	6054760
Feb. 18, 2019	(GB)	6054761
Feb. 18, 2019	(GB)	6054762
Feb. 18, 2019	(GB)	6054763
Feb. 18, 2019	(GB)	6054764
Feb. 18, 2019	(GB)	6054765

(51) **LOC (13) Cl.** **07-02**

(52) **U.S. Cl.**
USPC **D7/332**

(58) **Field of Classification Search**
USPC D7/323, 327, 332, 334, 335, 339, 347, D7/348, 350.2, 350.3, 350.4, 354, 402
CPC .. A47J 33/00; A47J 36/38; A47J 37/00; A47J 37/04; A47J 37/06; A47J 37/0623; A47J 37/0629; A47J 37/0635; A47J 37/0647; A47J 37/0652; A47J 37/0658; A47J 37/07; A47J 37/0704; A47J 37/0709; A47J 37/0713; A47J 37/0718; A47J 37/0722; A47J 37/0727; A47J 37/075; A47J 37/0754; A47J 37/0763; A47J 37/0786; A47J 2037/0777; F24C 1/16; F24C 5/20

See application file for complete search history.

(56) **References Cited**

U.S. PATENT DOCUMENTS

D693,166 S *	11/2013	Measom	D7/350.1
D853,774 S *	7/2019	Tapaninaho	D7/339
D909,551 S *	2/2021	Wu	D23/342

OTHER PUBLICATIONS

Say hello to Ooni Koda—Gas Powered Outdoor Pizza Oven, first available Feb. 26, 2019, YouTube, [online], [site visited Jan. 13, 2021], Available from internet URL: <https://www.youtube.com/watch?v=BQ4BcloTViw> (Year: 2019).*

(Continued)

Primary Examiner — Mary Ann Calabrese

Assistant Examiner — Natalya M Rapundalo

(74) *Attorney, Agent, or Firm* — Nixon & Vanderhye P.C.

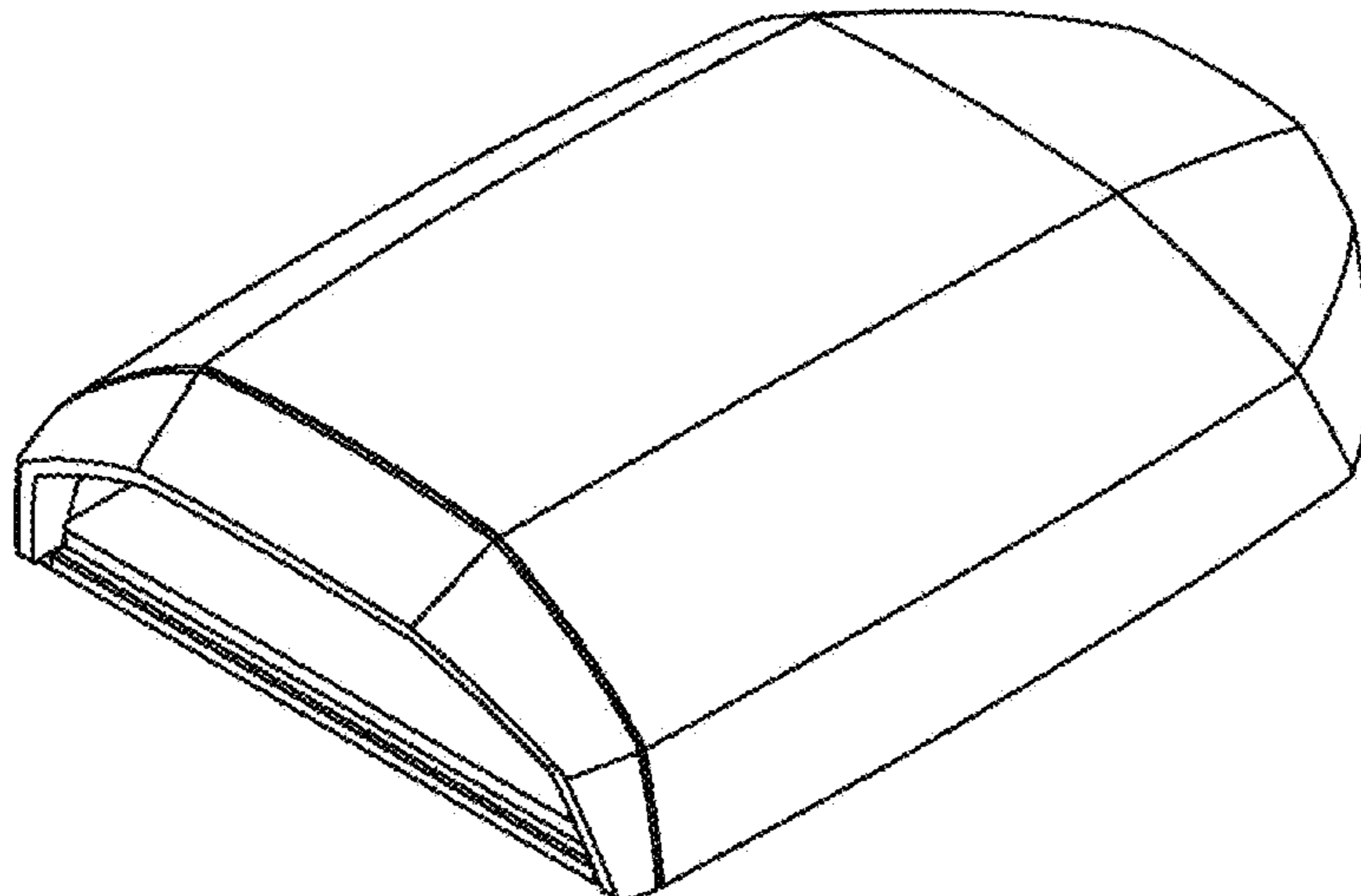
(57) **CLAIM**

The ornamental design for an oven, as shown and described.

DESCRIPTION

FIG. 1 is a perspective view of an oven;
FIG. 2 is a front view an oven;
FIG. 3 is a rear view of an oven;
FIG. 4 is a top view of an oven;
FIG. 5 is a bottom view of an oven;
FIG. 6 is a right side view of an oven;
FIG. 7 is a left side view of an oven;
FIG. 8 is a perspective view of an oven;
FIG. 9 is a front view an oven;
FIG. 10 is a rear view of an oven;
FIG. 11 is a top view of an oven;
FIG. 12 is a bottom view of an oven;
FIG. 13 is a left side view of an oven; and,
FIG. 14 is a right side view of an oven.

1 Claim, 10 Drawing Sheets



(56)

References Cited

OTHER PUBLICATIONS

Review: Ooni Koda Pizza Oven, first available Mar. 19, 2019, WIRED.com, [online], [site visited Jan. 21, 2021], Available from internet URL: <https://www.wired.com/review/ooni-koda-pizza-oven/> (Year: 2019).*

Mimiuo Portable Gas Pizza Oven, Amazon, [online], [site visited Apr. 7, 2021], Available from internet URL: <https://www.amazon.com/only-fire-Mimiuo-Portable-Foldable/dp/B08CDHLG3Q> (Year: 2021).*

* cited by examiner

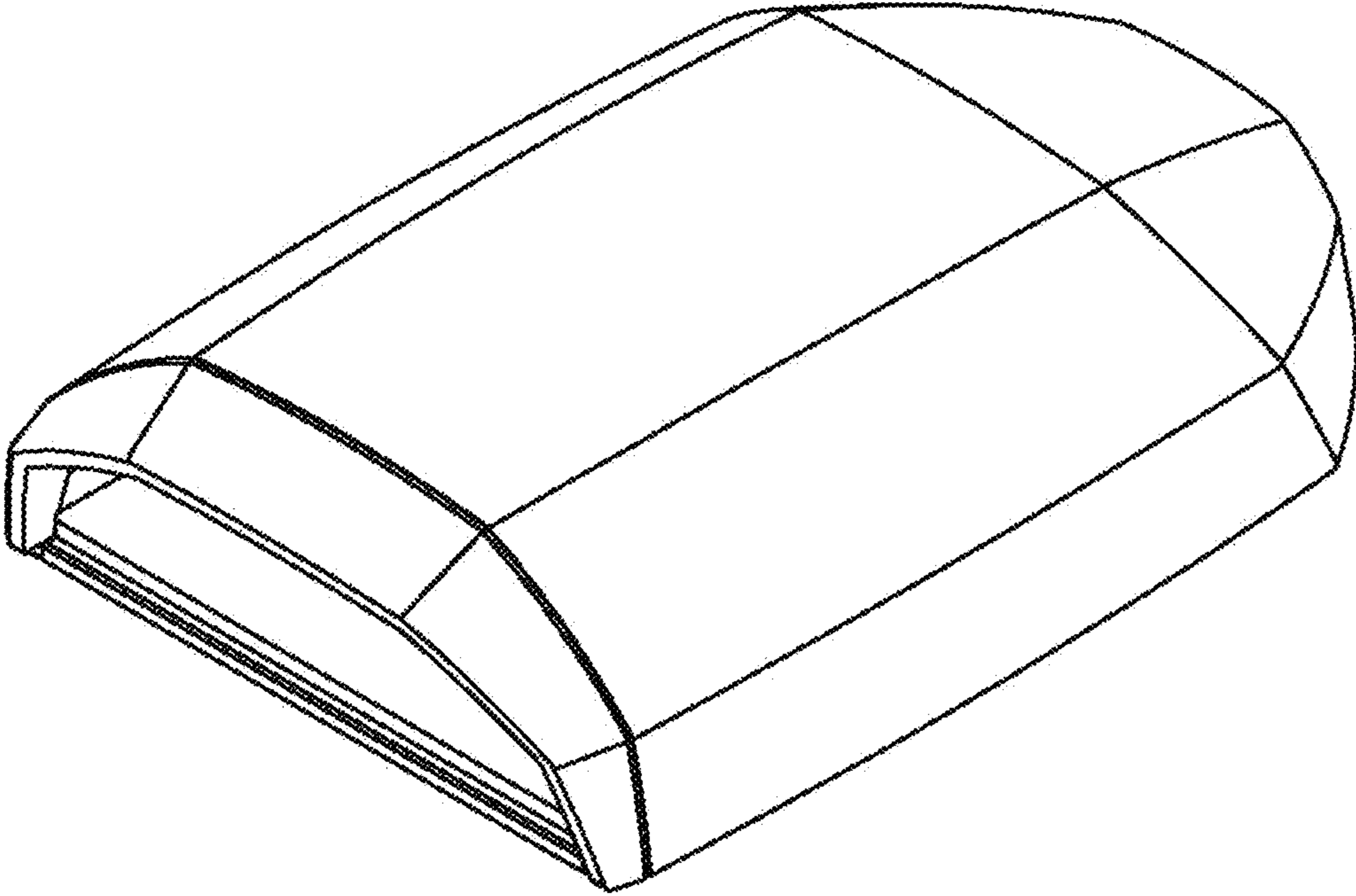


FIG. 1

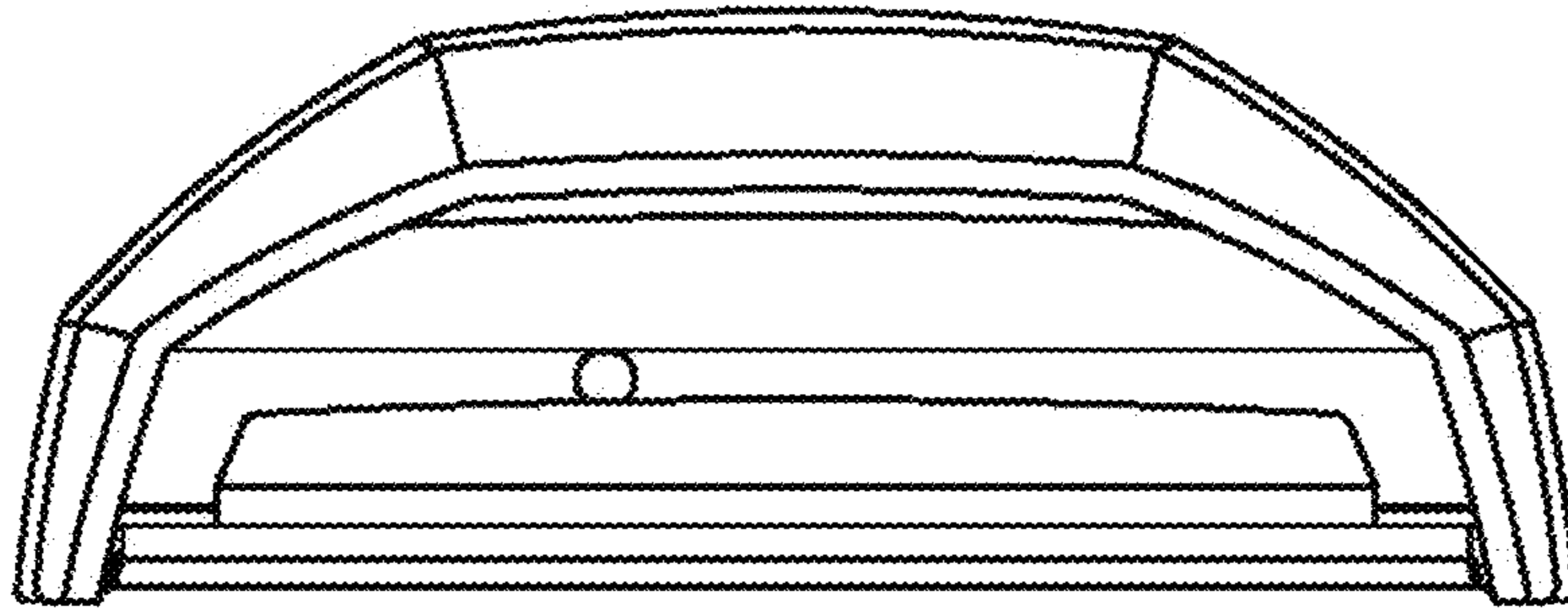


FIG. 2

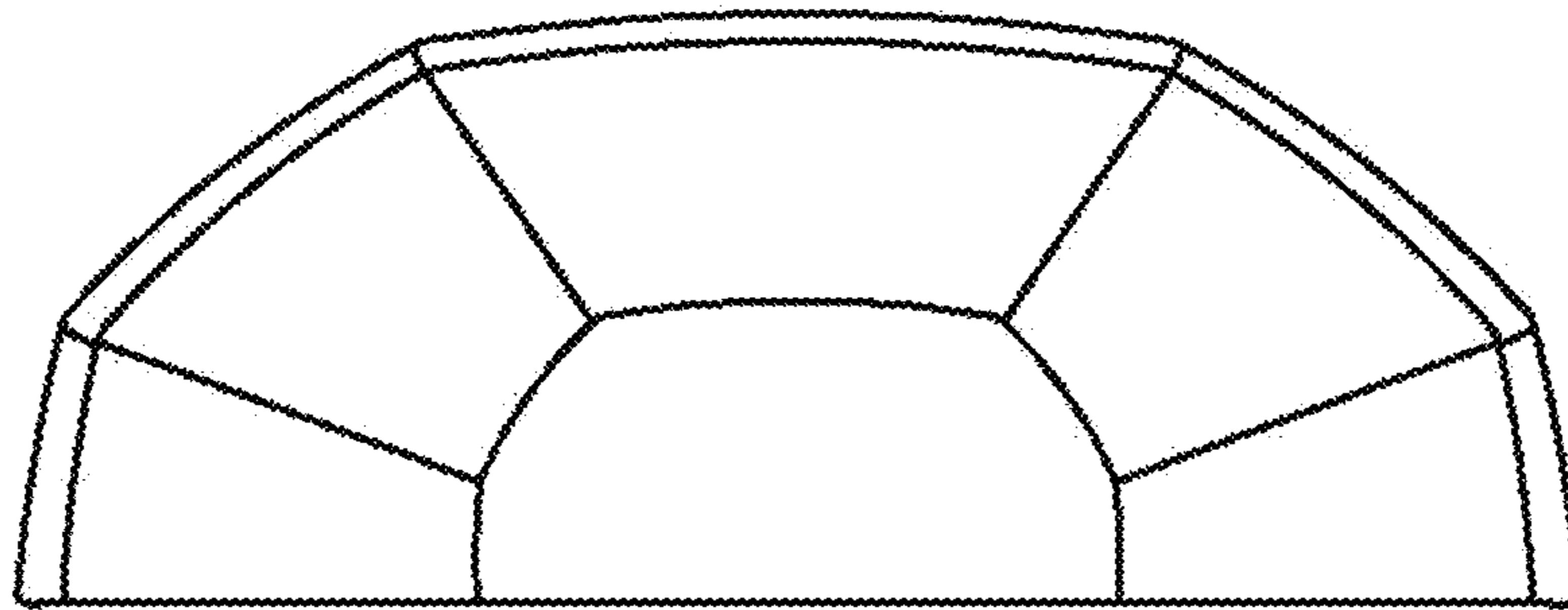


FIG. 3

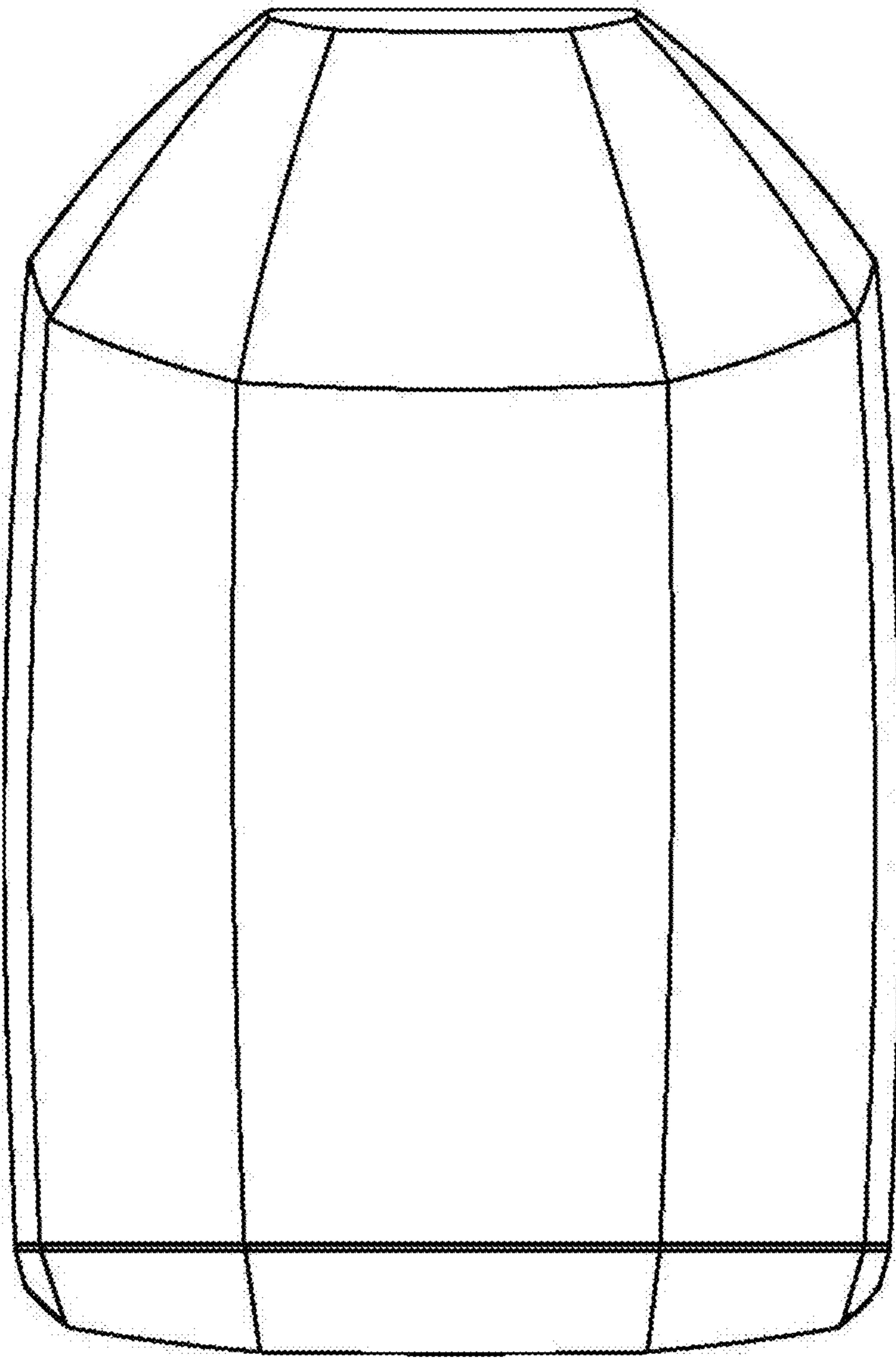


FIG. 4

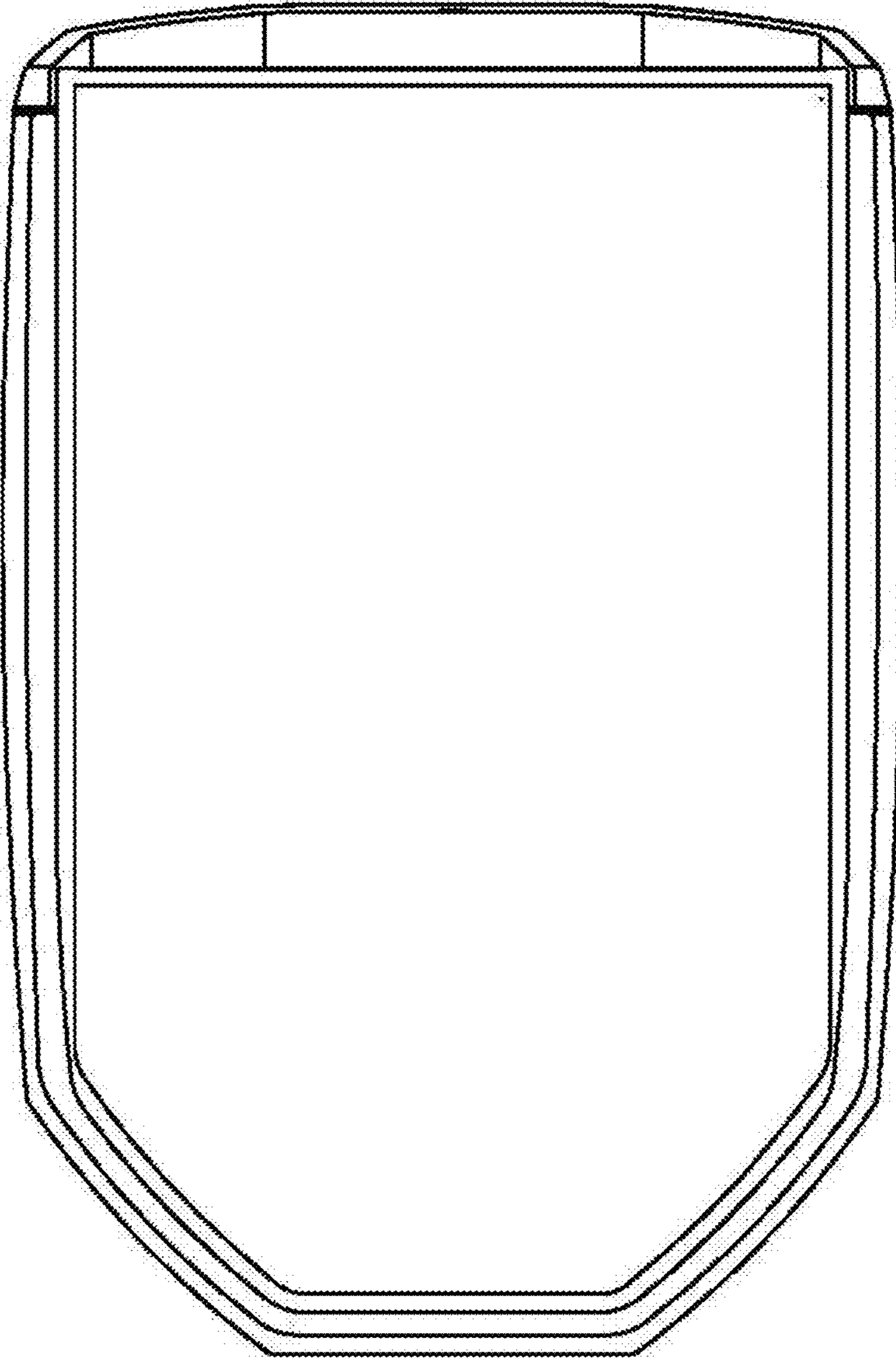


FIG. 5

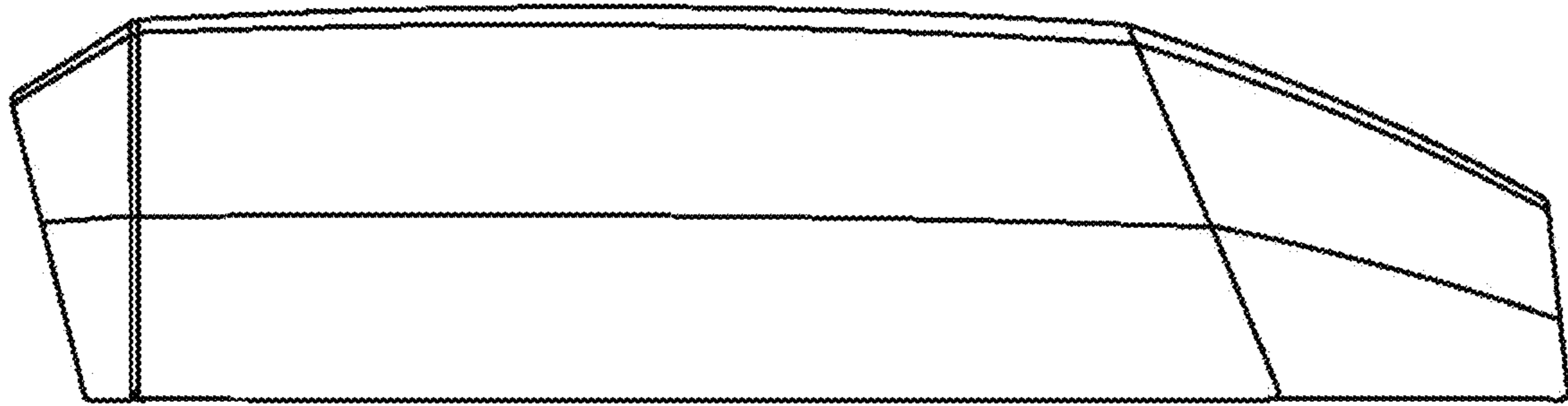


FIG. 6

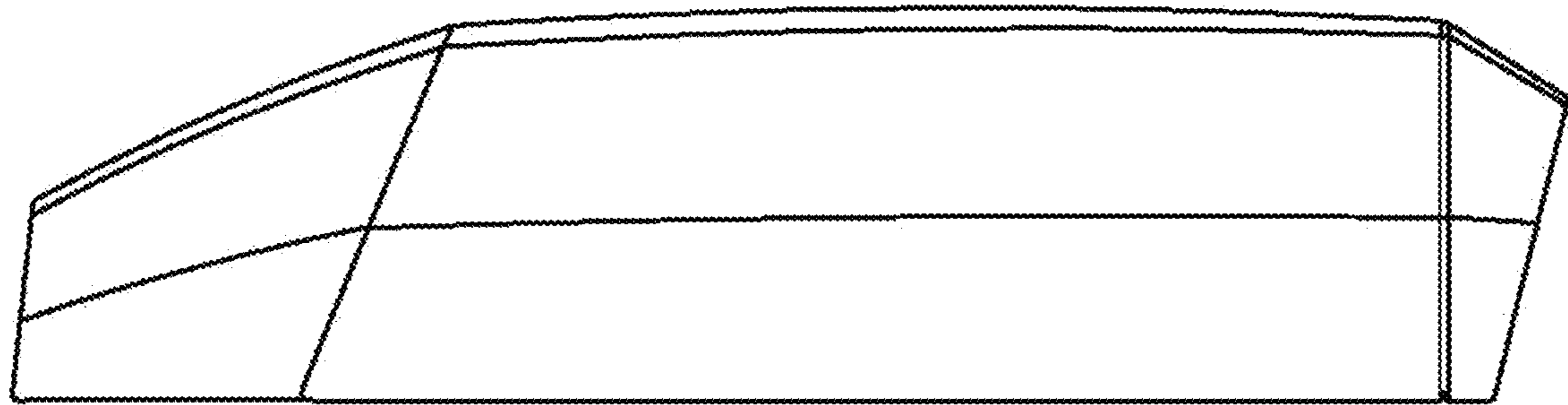


FIG. 7

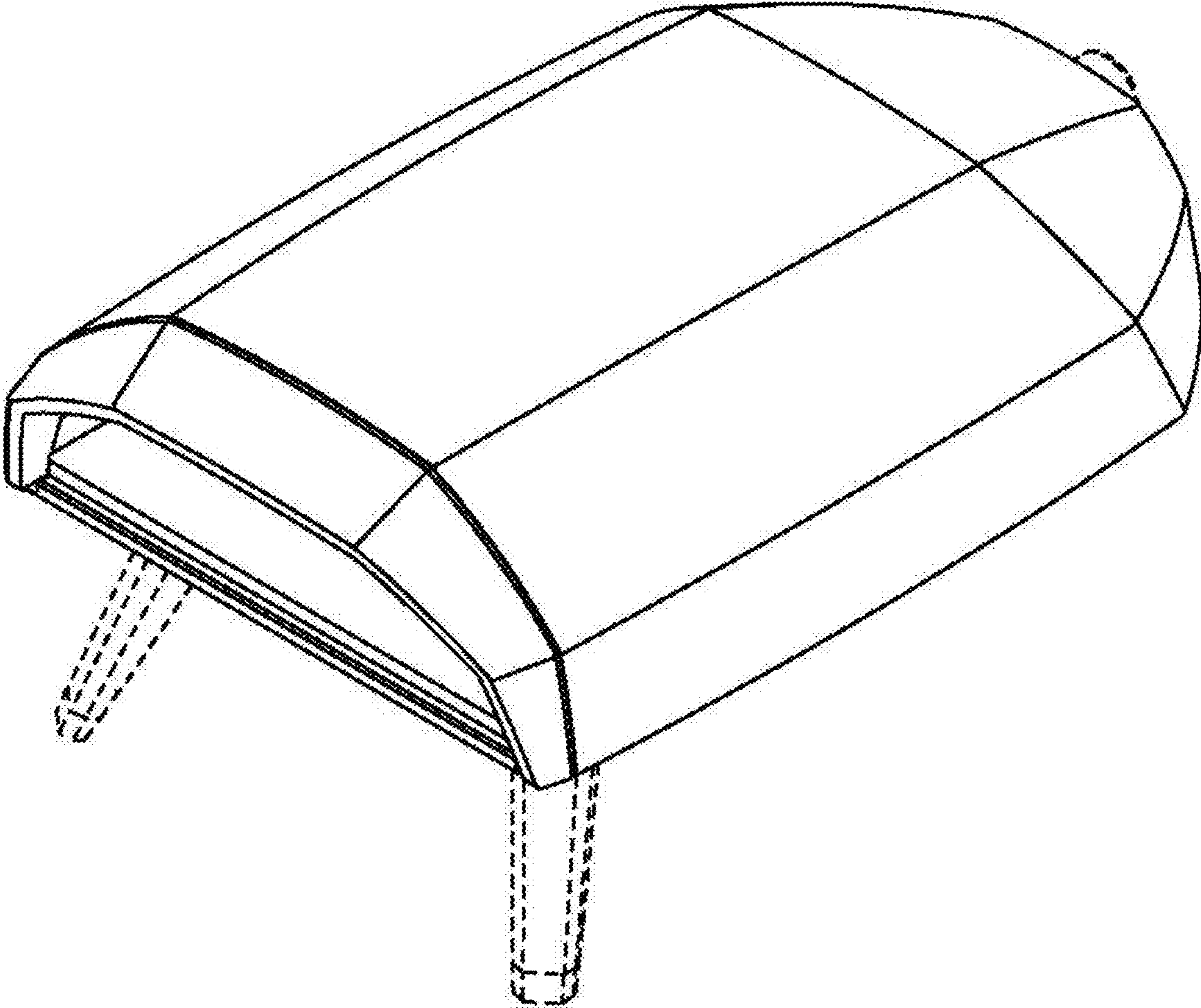


FIG. 8

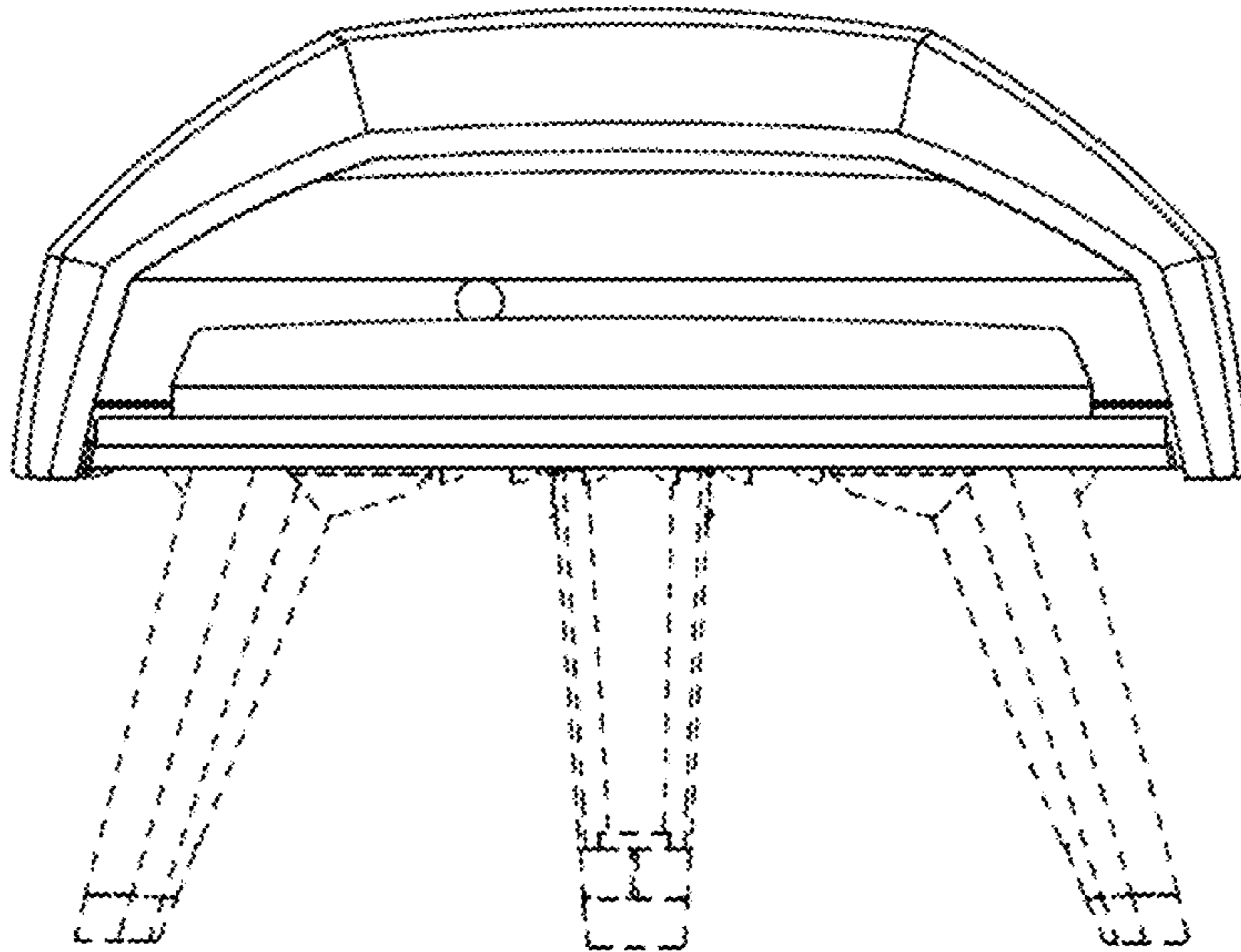


FIG. 9

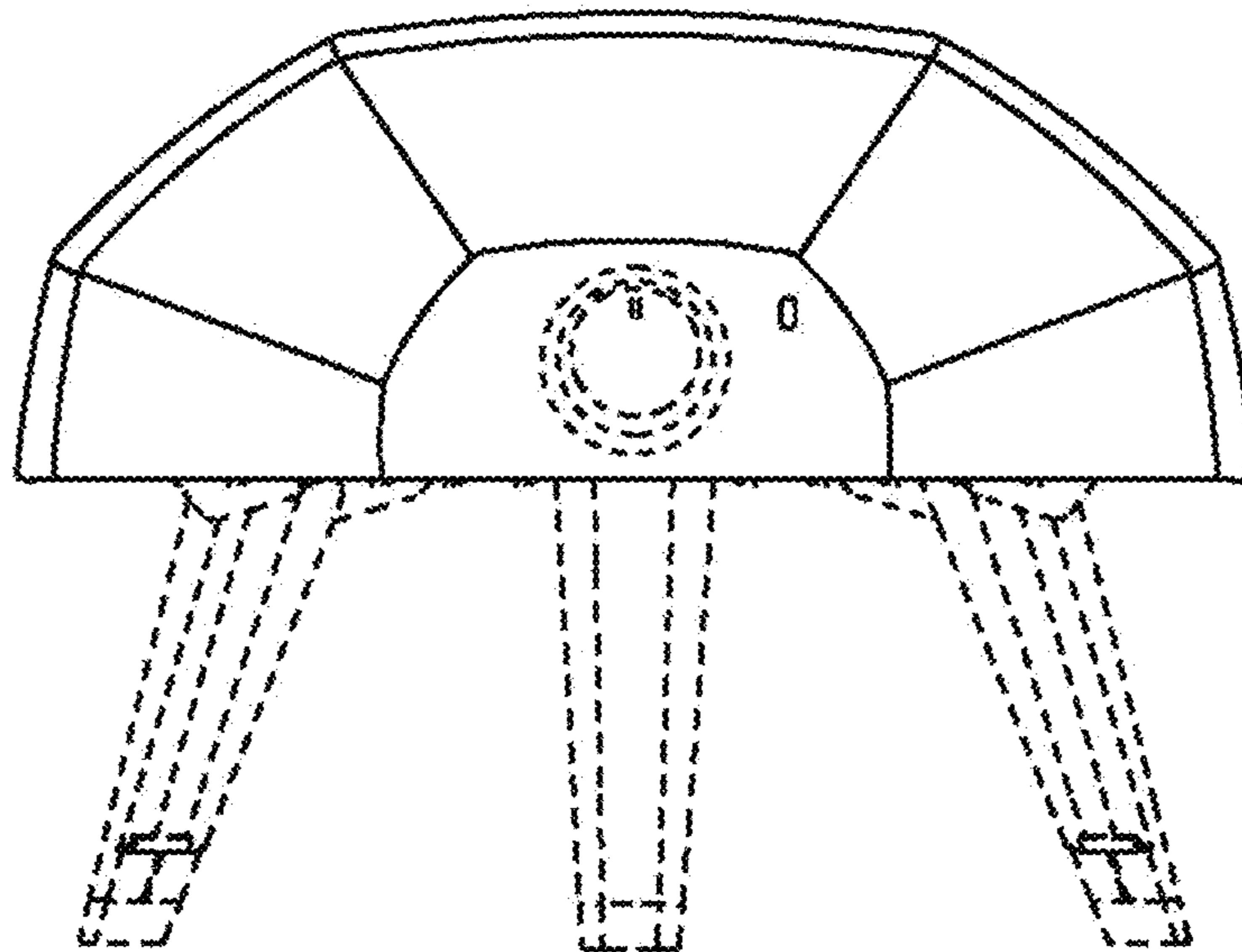


FIG. 10

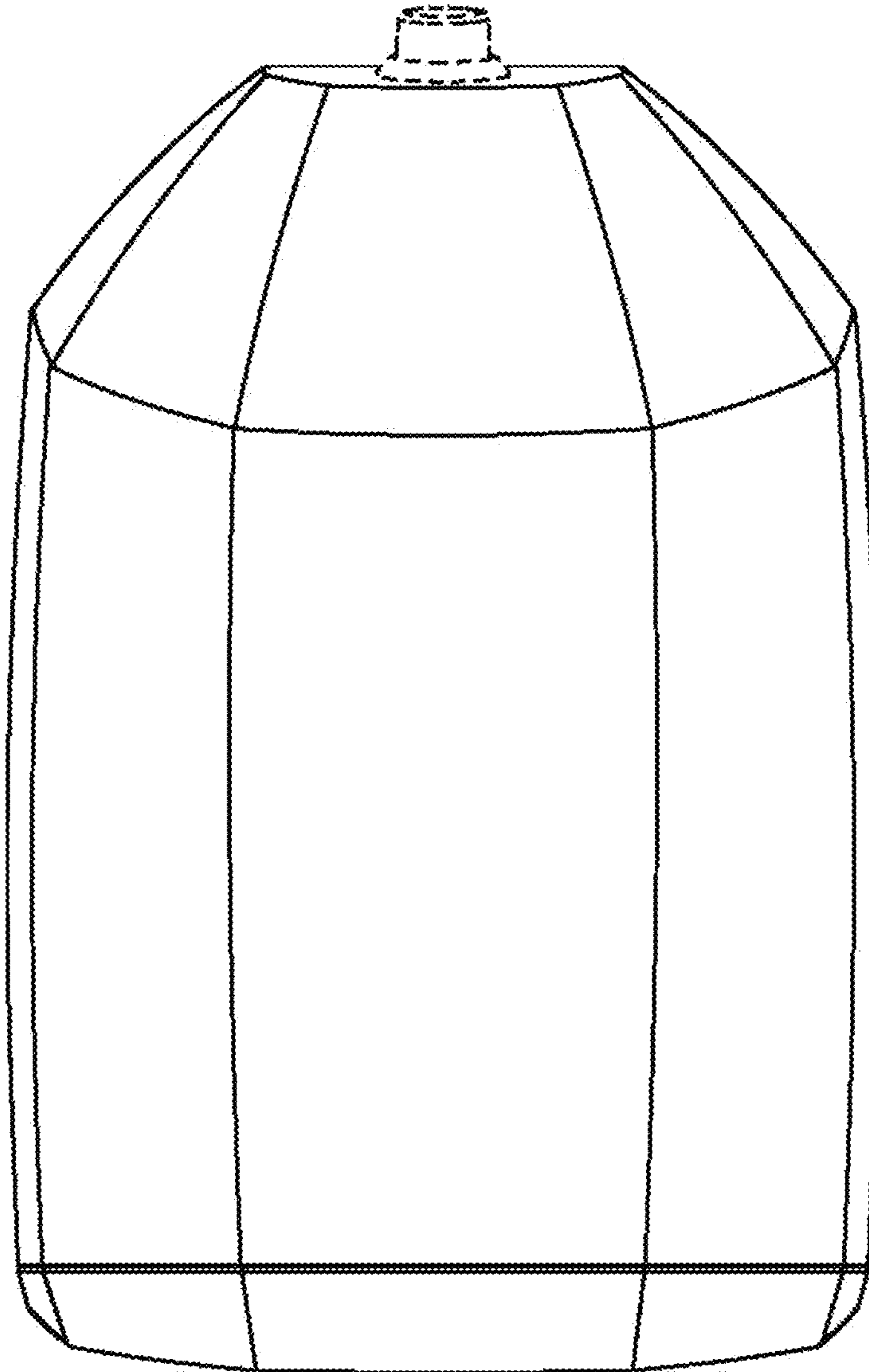


FIG. 11

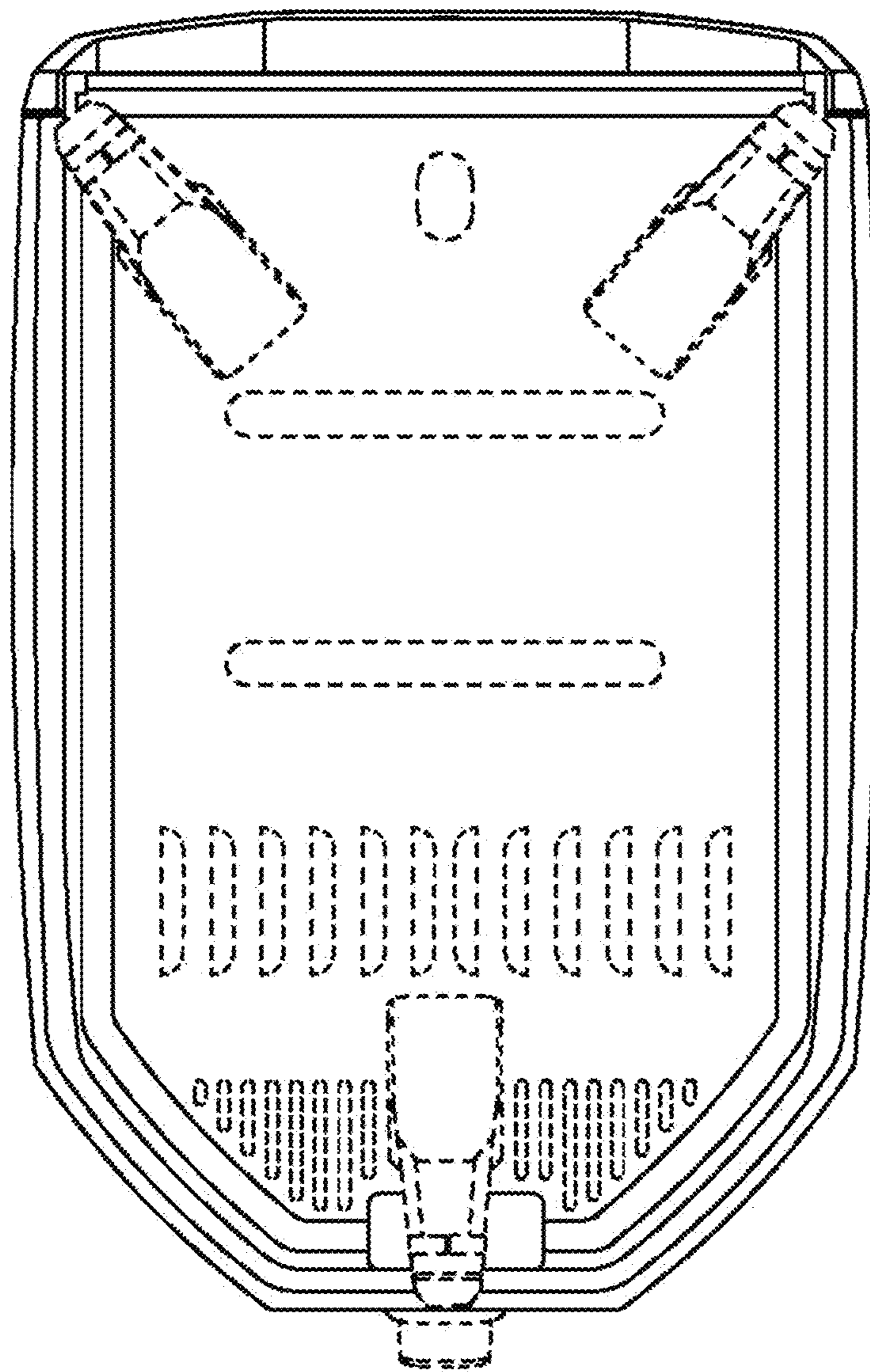


FIG. 12

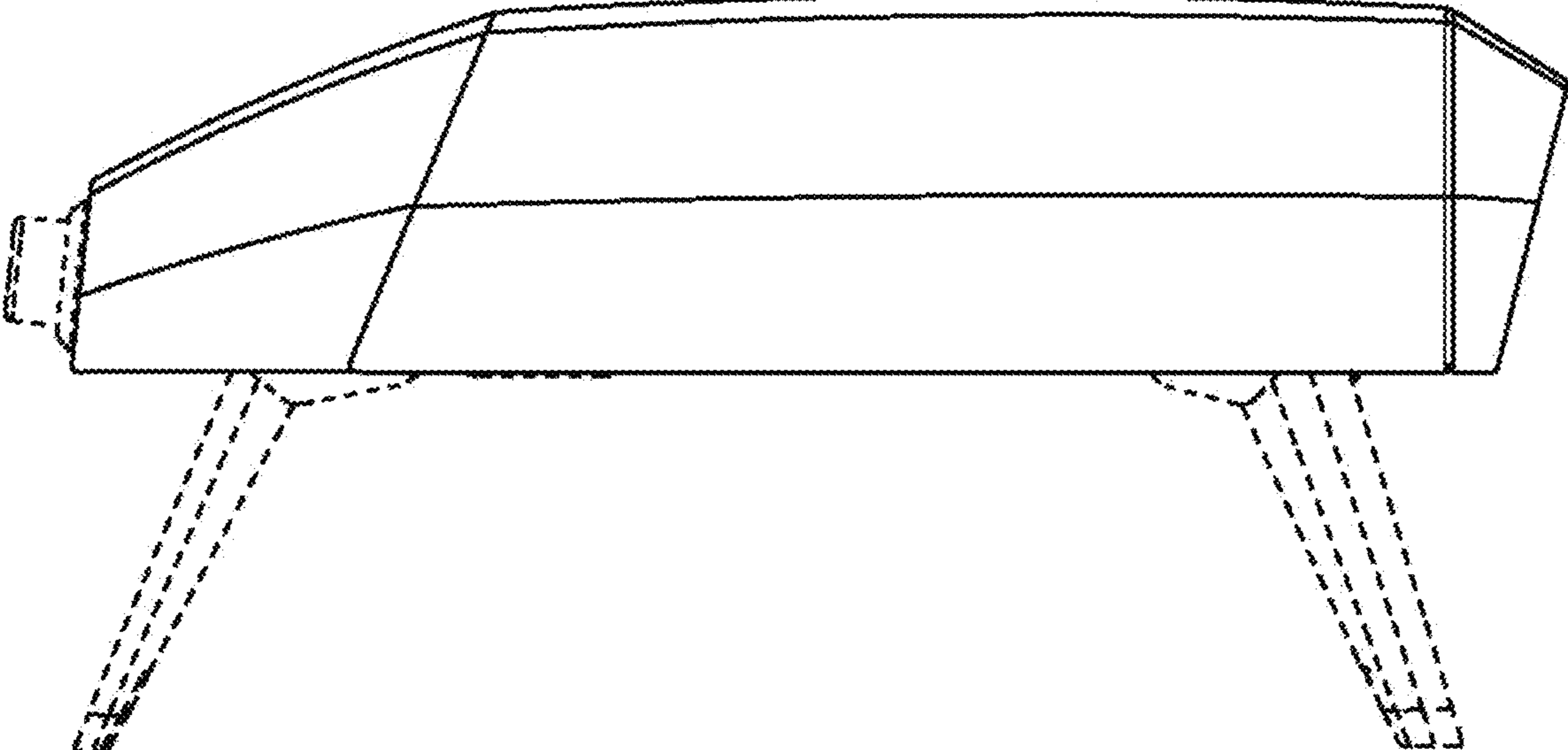


FIG. 13

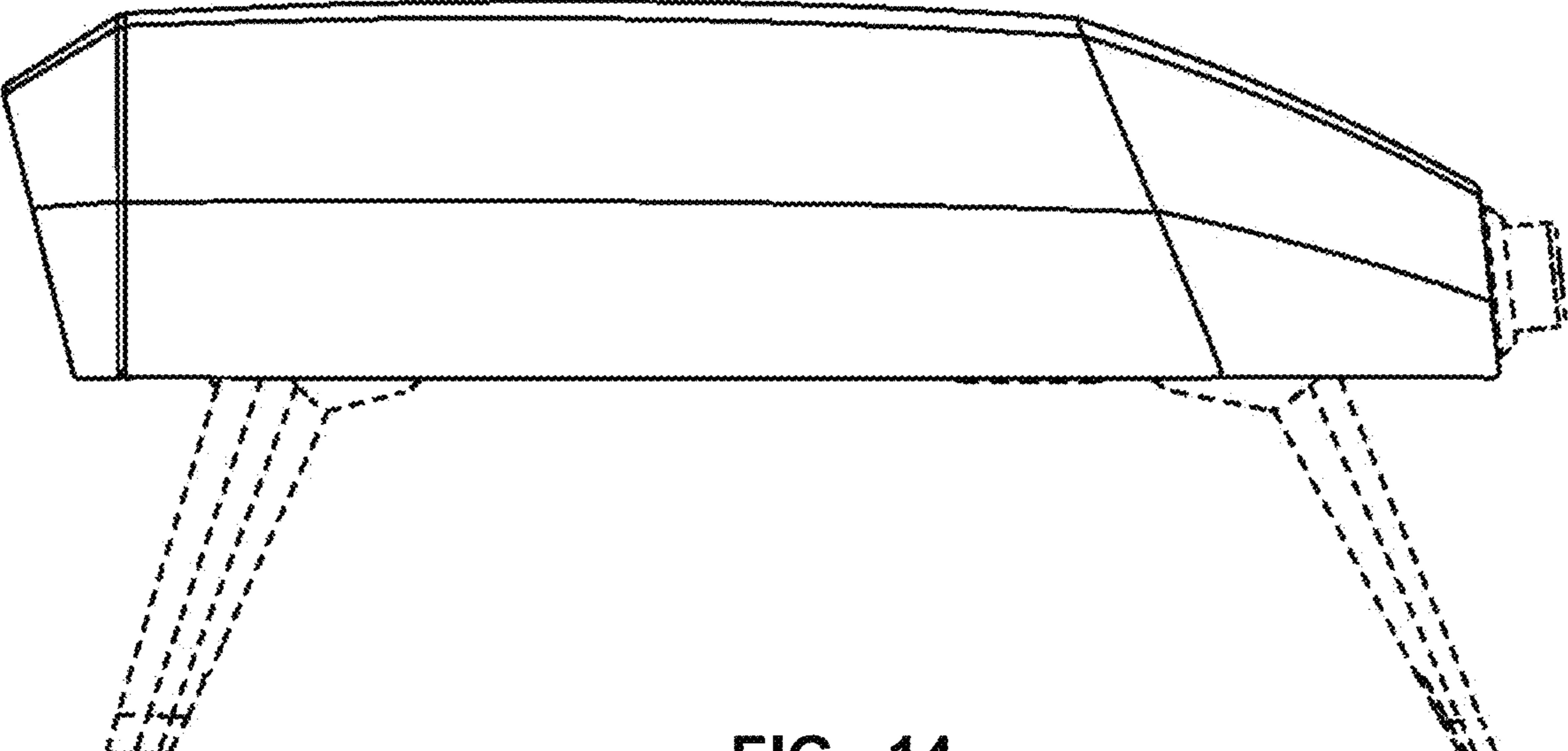


FIG. 14