



US00D925961S

(12) **United States Design Patent** (10) **Patent No.:** **US D925,961 S**
Long (45) **Date of Patent:** **** Jul. 27, 2021**

(54) **LIQUOR DISPENSER**

(71) Applicant: **Hangzhou Longchuang Youpin Intelligent Tech Co., Ltd., Zhejiang (CN)**

(72) Inventor: **ChangHuai Long, Hangzhou (CN)**

(73) Assignee: **Hangzhou Longchuang Youpin Intelligent Tech Co., Ltd., Zhejiang (CN)**

(**) Term: **15 Years**

(21) Appl. No.: **29/758,360**

(22) Filed: **Nov. 13, 2020**

(30) **Foreign Application Priority Data**

Nov. 10, 2020 (CN) 202030678877.2

(51) **LOC (13) Cl.** **07-01**

(52) **U.S. Cl.**
USPC **D7/308**

(58) **Field of Classification Search**
USPC D7/300, 305, 306, 307, 308, 311, 312, D7/315, 589
CPC A47J 31/40; A47J 31/402; B67D 3/00; B67D 3/0029
See application file for complete search history.

(56) **References Cited**

U.S. PATENT DOCUMENTS

- 3,718,234 A * 2/1973 Bagguley B65D 83/384 222/135
- 5,351,861 A * 10/1994 Jovellana B67D 1/06 222/144
- D372,625 S * 8/1996 Forsen D7/300
- 5,890,629 A * 4/1999 Loew B67D 3/0035 222/144.5
- D476,855 S * 7/2003 Green D7/589

- D521,304 S 5/2006 Mandel
 - D616,707 S * 6/2010 Gold D7/589
 - D805,828 S * 12/2017 Merali D7/306
 - D847,552 S * 5/2019 Bock-Aronson D7/306
- (Continued)

OTHER PUBLICATIONS

6 shot glass dispenser and holder | posted at Amazon.com, posted on Dec. 8, 2020 © 1996-2021 Amazon.com, [online], [site visited Apr. 7, 2021]. Available from Internet, <URL: https://www.amazon.com/Dispenser-Beverage-Glasses-Filling-Cocktail/dp/B08PYMQHLW/ref=psdc_13218391_t5_B08R6GKZZN> (Year: 2020).*

Primary Examiner — Susan E Krakower

Assistant Examiner — Andrew Kerr

(74) *Attorney, Agent, or Firm* — ScienBiziP, P.C.

(57) **CLAIM**

The ornamental design for a liquor dispenser, as shown and described.

DESCRIPTION

FIG. 1 is a top perspective view of a liquor dispenser, showing my design.

FIG. 2 is a bottom perspective view thereof.

FIG. 3 is a front elevation view thereof.

FIG. 4 is a rear elevation view thereof.

FIG. 5 is a left side elevation thereof.

FIG. 6 is a right side elevation thereof.

FIG. 7 is a top plan view thereof.

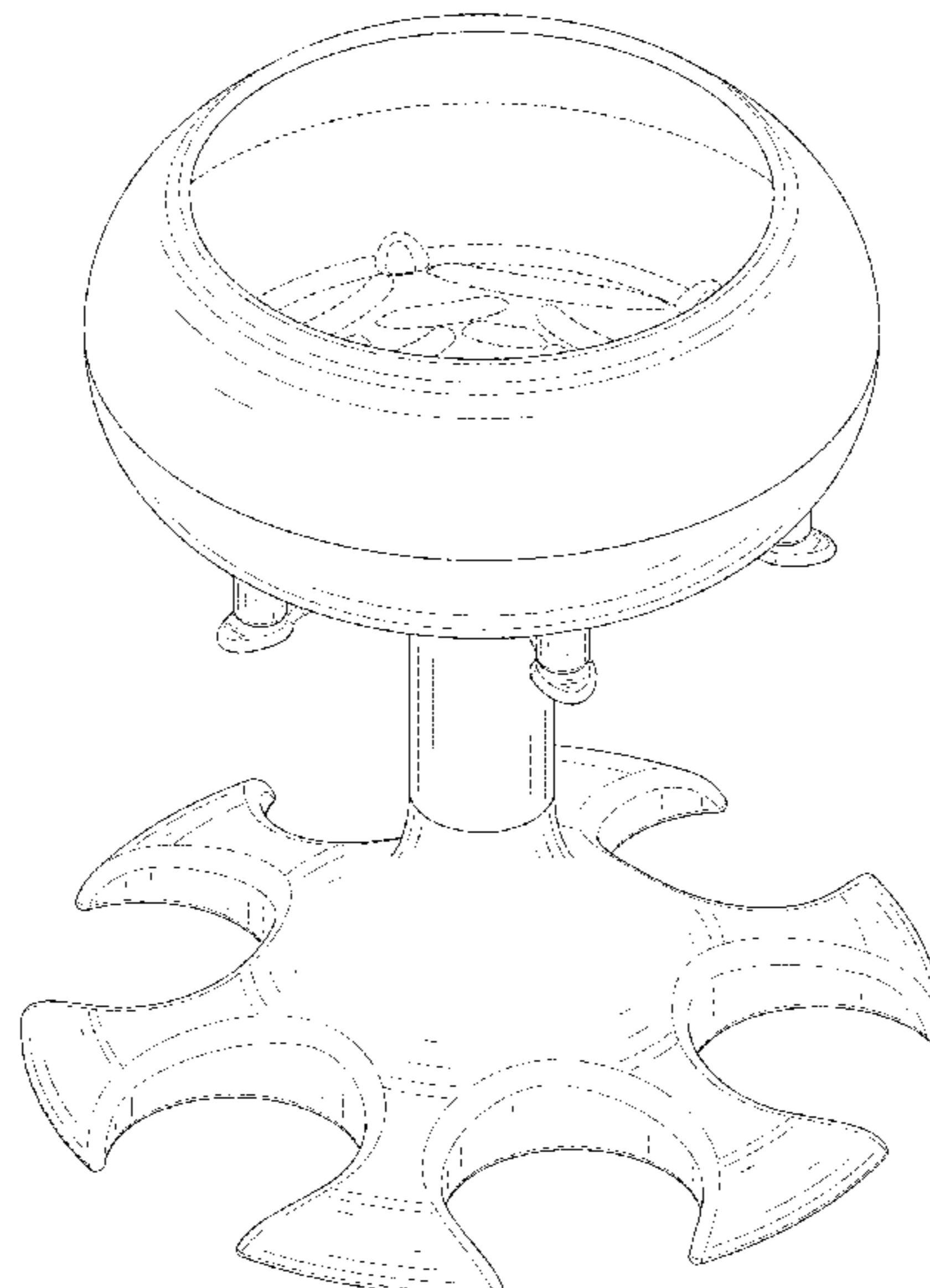
FIG. 8 is a bottom plan view thereof.

FIG. 9 is a top perspective view thereof, shown in condition of use; and,

FIG. 10 is another top perspective view thereof, shown in condition of use.

The broken lines shown within the liquor dispenser depict portions of the dispenser which form no part of the claimed design. The broken lines showing glassware around the sides of the liquor dispenser depict environmental structure and form no part of the claimed design.

1 Claim, 10 Drawing Sheets



(56)

References Cited

U.S. PATENT DOCUMENTS

D850,840 S * 6/2019 Rupp D7/308
D850,841 S * 6/2019 Rupp D7/308
D859,904 S * 9/2019 Mitlyng D7/311
2012/0067921 A1* 3/2012 Shippen B67D 3/0025
222/144
2018/0162716 A1* 6/2018 Rupp A23G 9/045

* cited by examiner

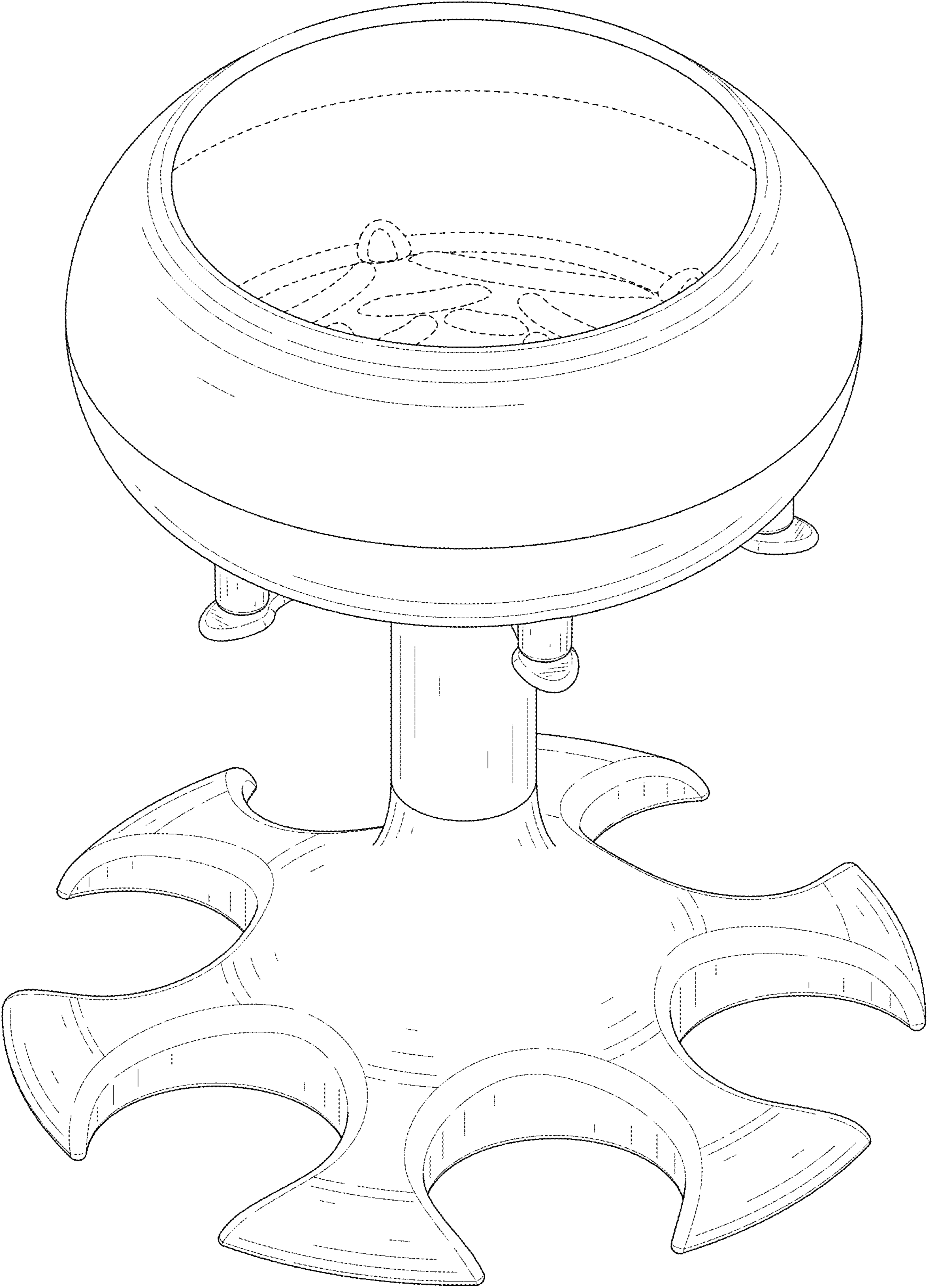


FIG. 1

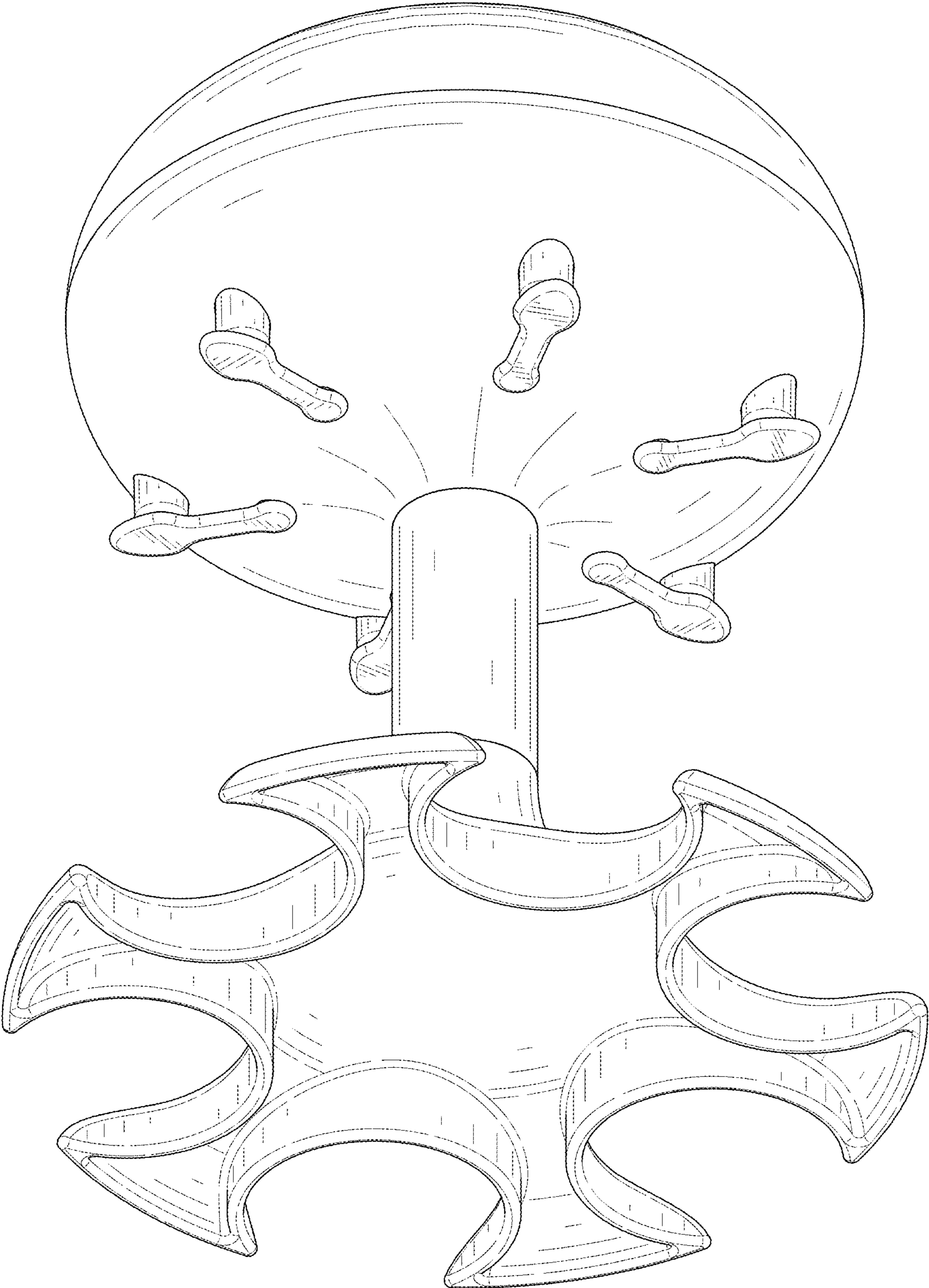


FIG. 2

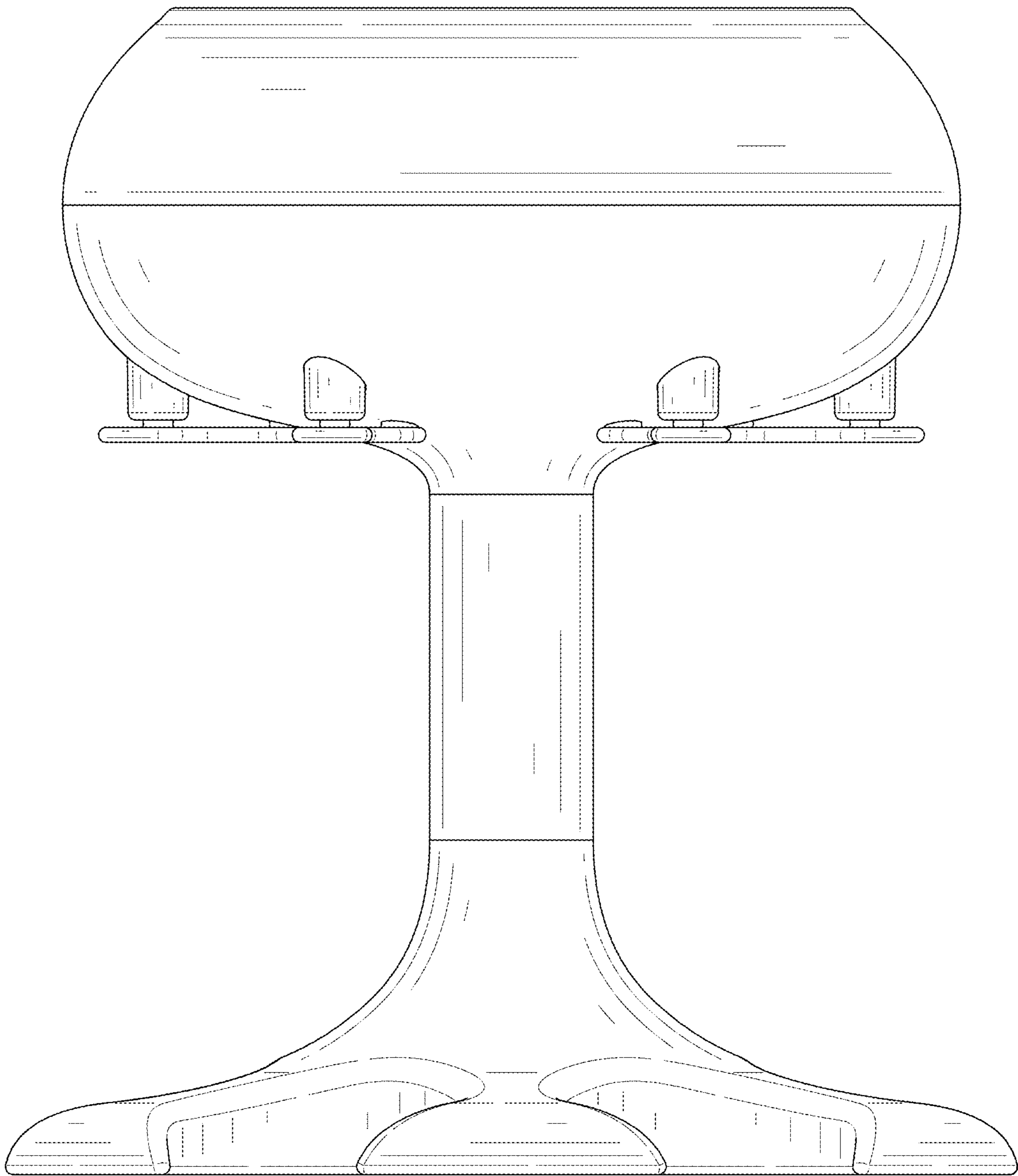


FIG. 3

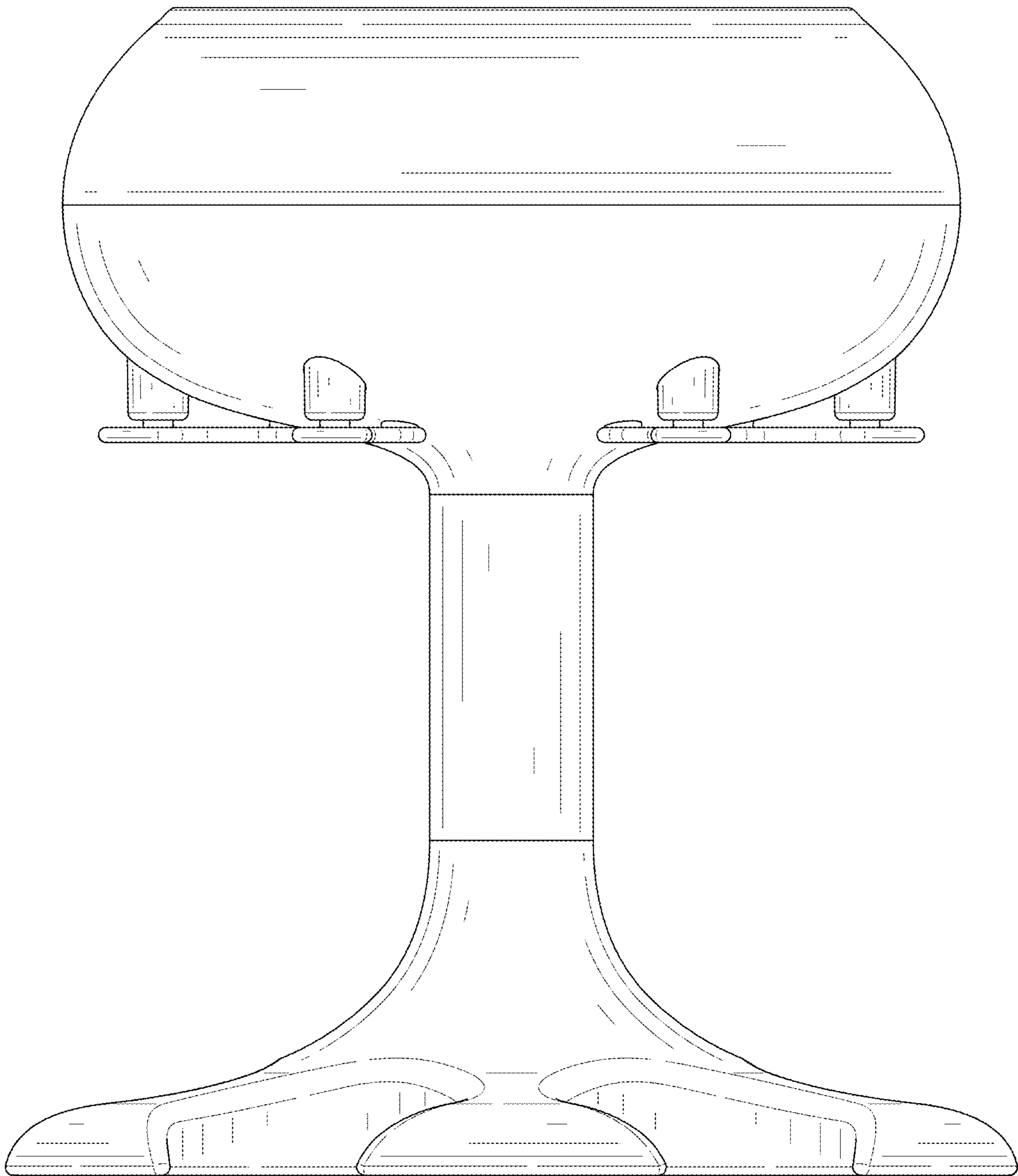


FIG. 4

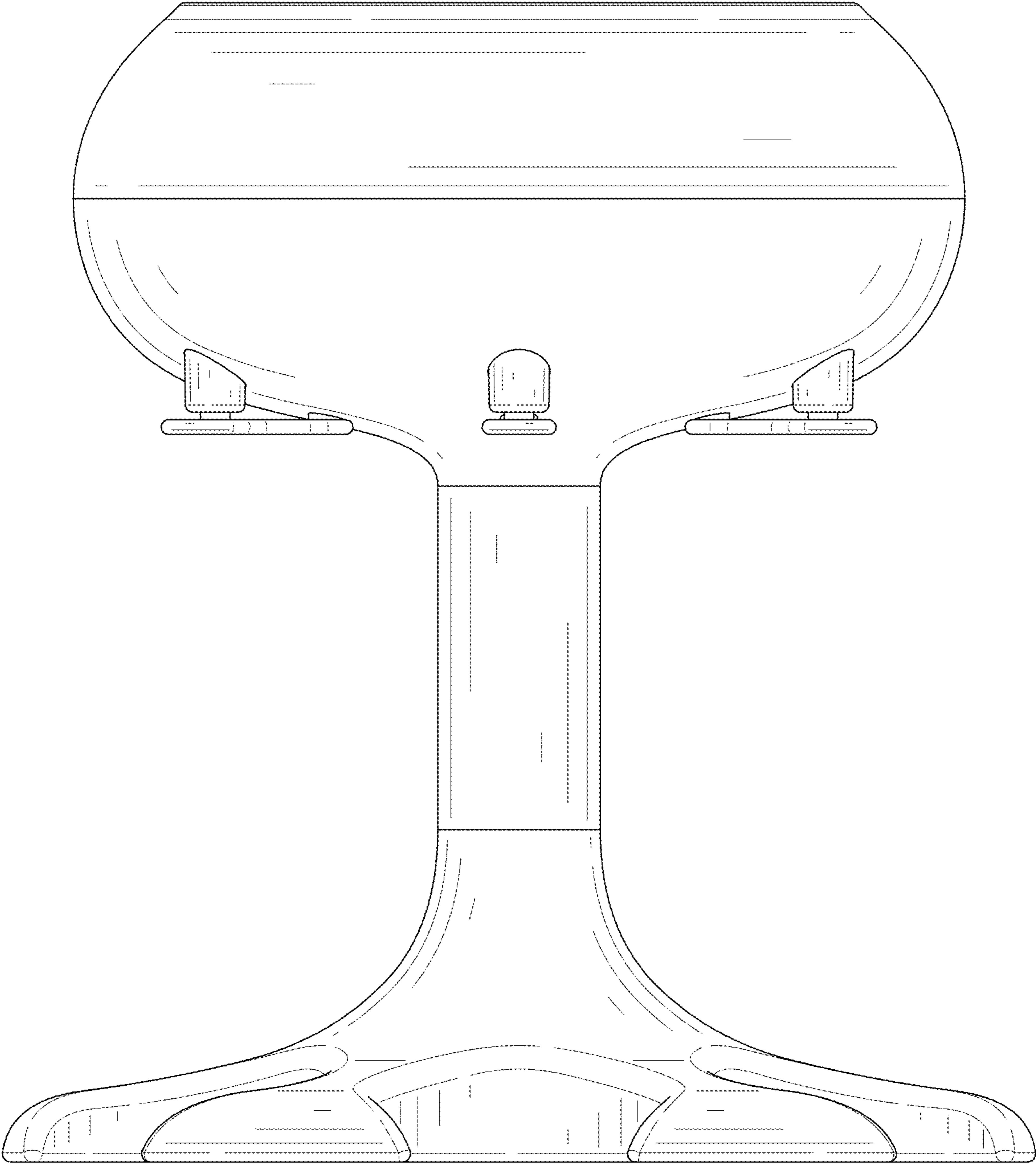


FIG. 5

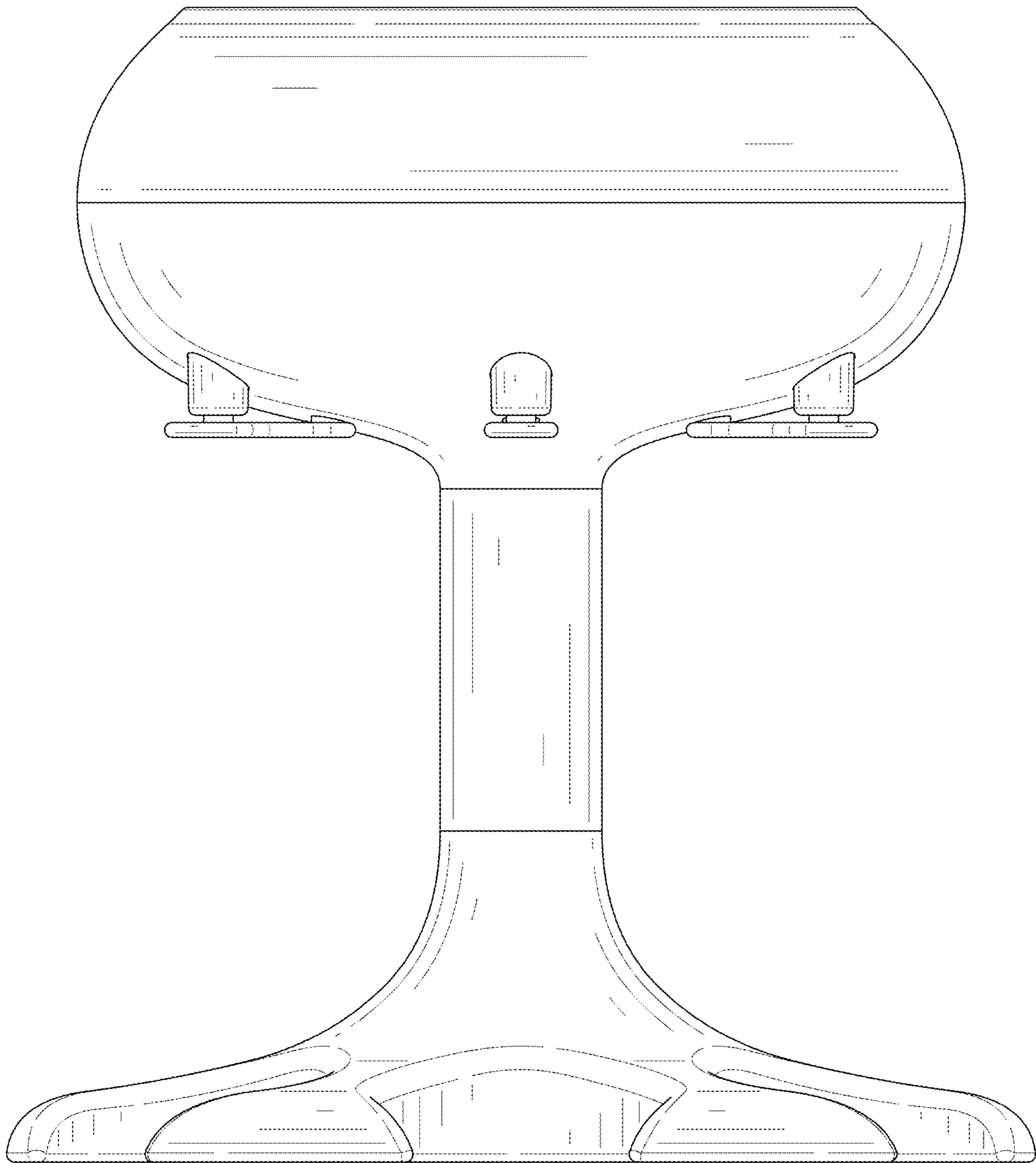


FIG. 6

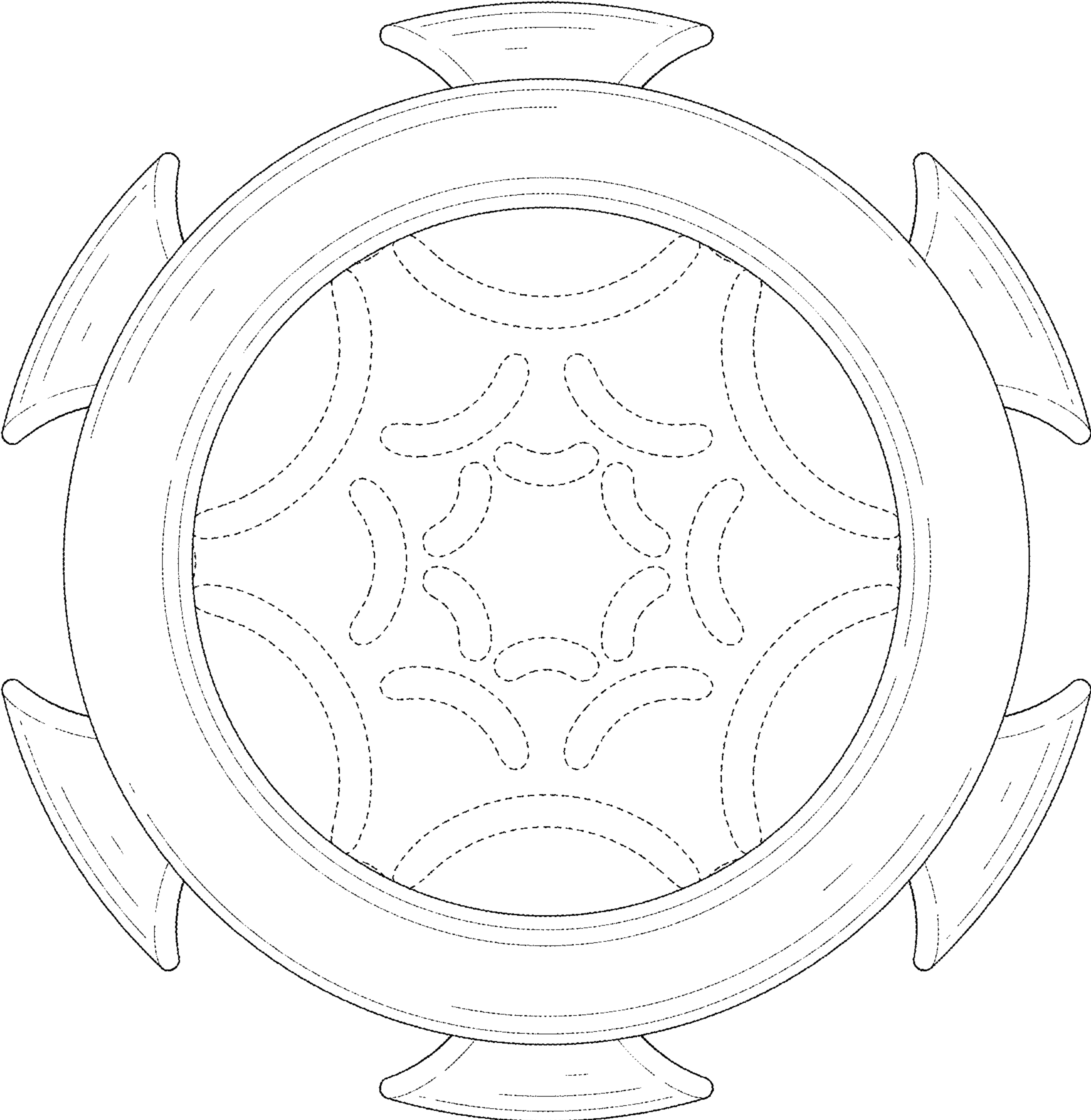


FIG. 7

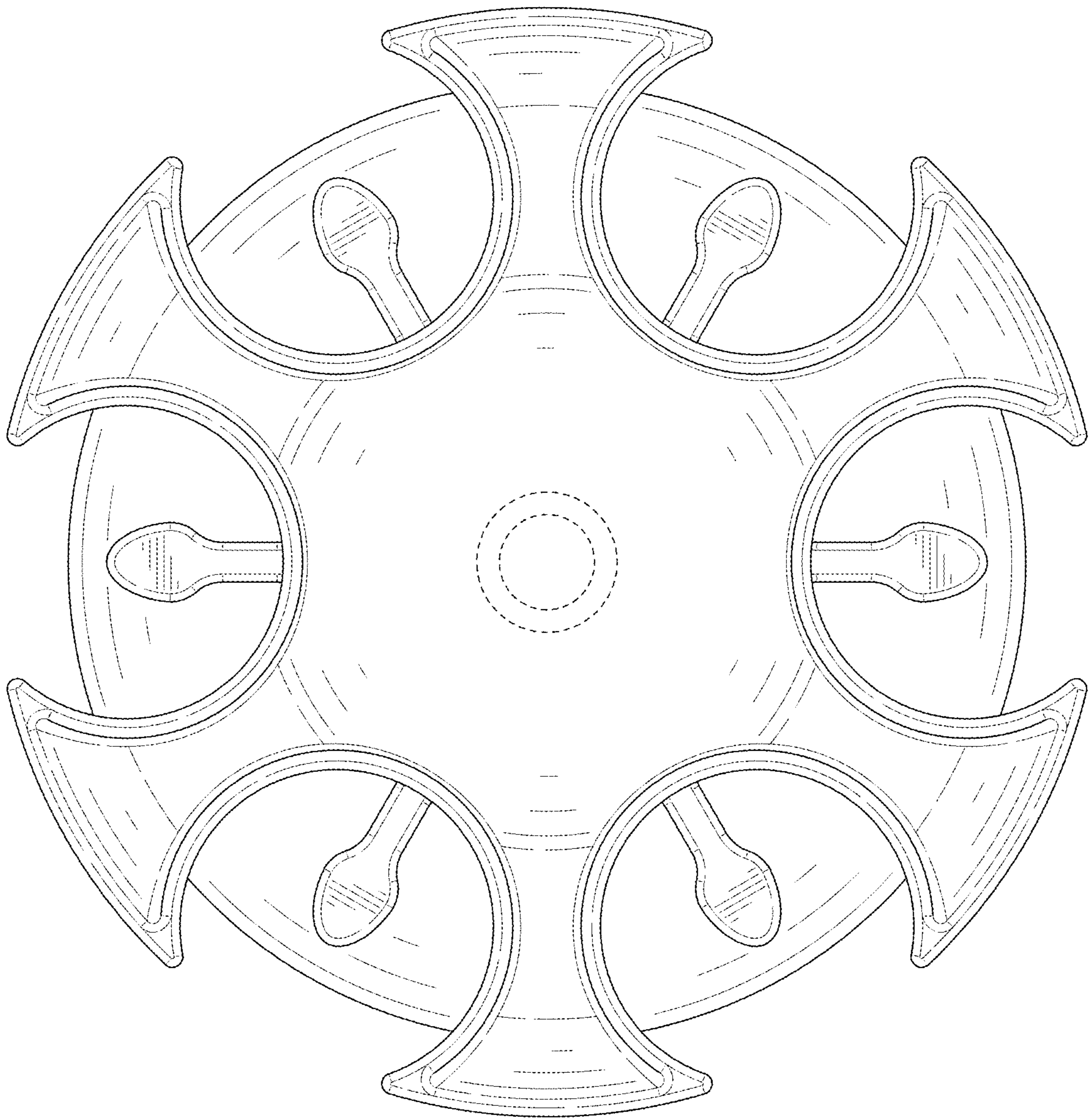


FIG. 8

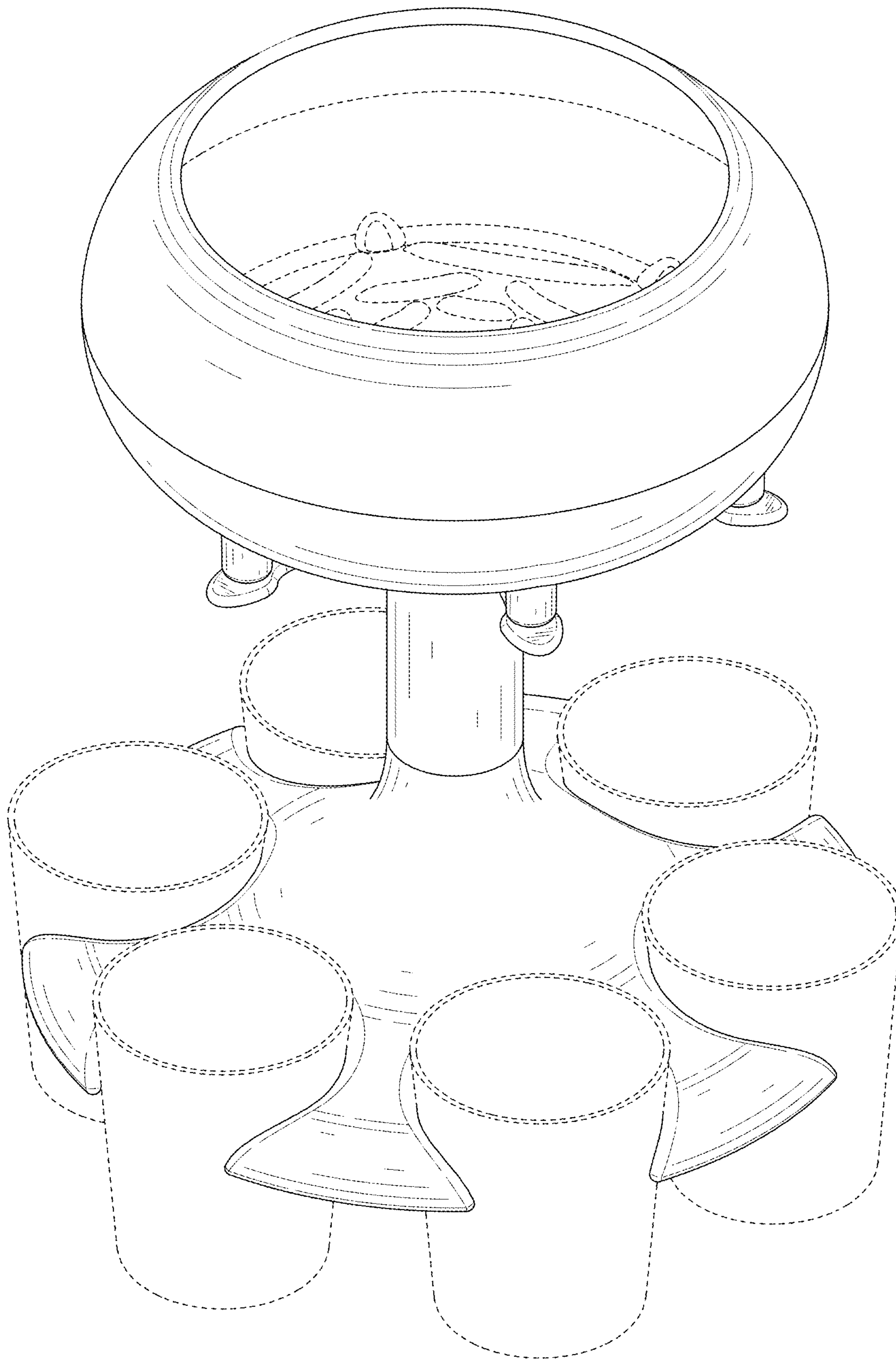


FIG. 9

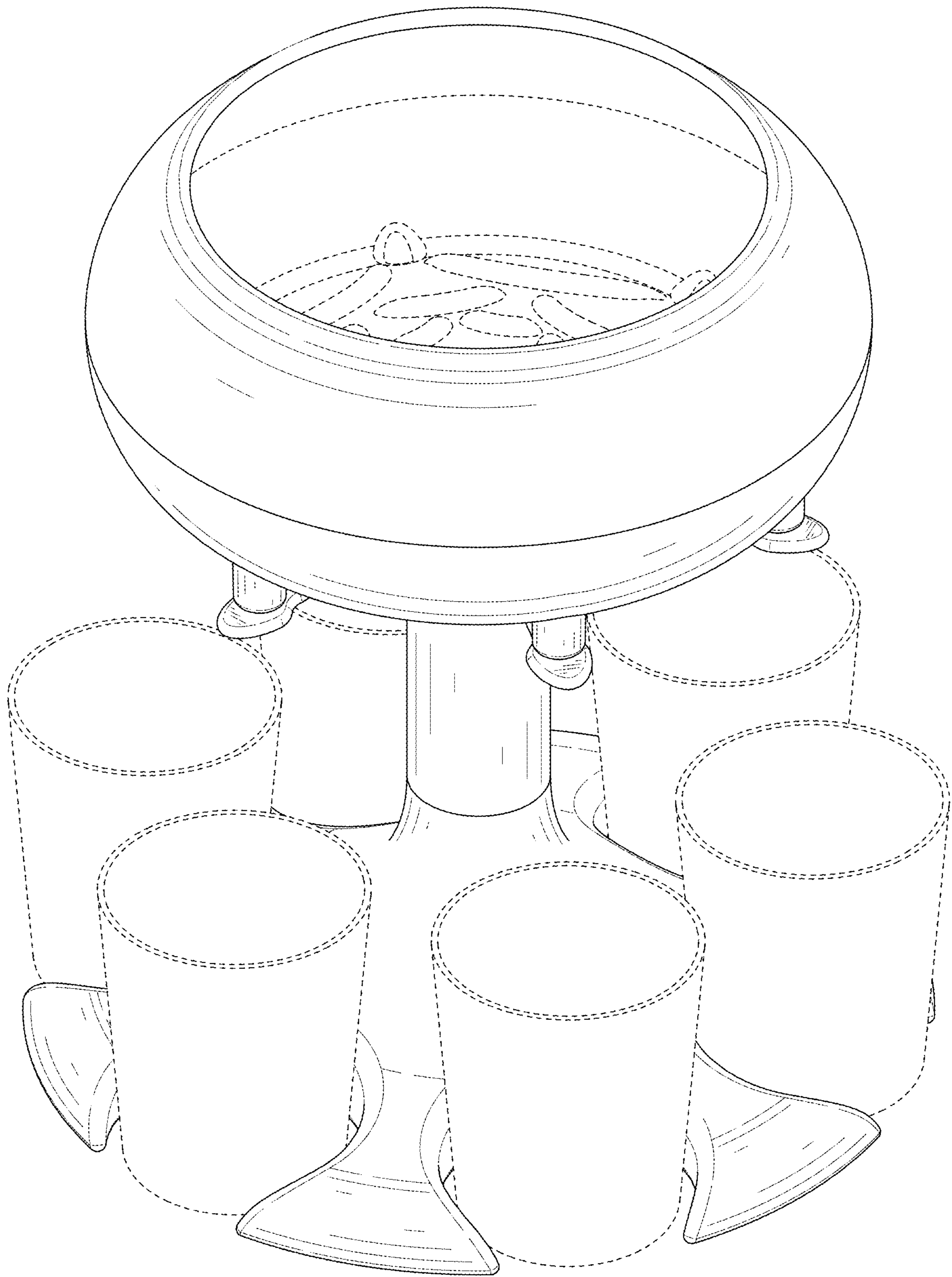


FIG. 10