



US00D925958S

(12) **United States Design Patent**
Van Faasen

(10) **Patent No.:** **US D925,958 S**
(45) **Date of Patent:** **** Jul. 27, 2021**

- (54) **CHAIR**
- (71) Applicant: **HERMAN MILLER, INC.**, Zeeland, MI (US)
- (72) Inventor: **Joel Graham Van Faasen**, Holland, MI (US)
- (73) Assignee: **HERMAN MILLER, INC.**, Zeeland, MI (US)
- (**) Term: **15 Years**
- (21) Appl. No.: **29/768,793**
- (22) Filed: **Feb. 1, 2021**

- 6,419,318 B1 7/2002 Albright
 - 6,698,833 B2 3/2004 Ball et al.
 - 6,957,861 B1 10/2005 Chou et al.
 - D511,914 S 11/2005 Edwards et al.
 - 6,981,743 B2 1/2006 Edwards et al.
 - 7,347,495 B2* 3/2008 Beyer A47C 7/46
297/284.3
 - D572,948 S 7/2008 Wakasugi et al.
 - 7,445,287 B2 11/2008 Chou
 - 8,029,066 B2 10/2011 Su
 - D666,841 S * 9/2012 Czumaj-Bront D6/366
 - 8,308,240 B1* 11/2012 Chou A47C 7/462
297/284.4
 - D687,641 S * 8/2013 Barrell D6/366
 - D703,457 S 4/2014 Plikat et al.
 - 8,690,249 B2 4/2014 Kang et al.
 - D709,312 S 7/2014 Giugiaro
- (Continued)

Related U.S. Application Data

- (62) Division of application No. 29/675,529, filed on Jan. 3, 2019, now Pat. No. Des. 911,762.
- (51) **LOC (13) Cl.** **06-01**
- (52) **U.S. Cl.**
USPC **D6/716.4; D6/366**
- (58) **Field of Classification Search**
USPC D6/334-336, 364, 365, 366, 367, 374,
D6/379, 716, 716.1, 716.4
CPC A47C 7/004; A47C 7/006; A47C 7/18;
A47C 7/24; A47C 7/282; A47C 7/285;
A47C 7/40; A47C 7/46; A47C 7/462;
A47C 7/54; A47C 7/541; B60N 2/66;
B60N 2/667
See application file for complete search history.

References Cited

U.S. PATENT DOCUMENTS

- 4,730,871 A 3/1988 Sheldon
- 5,921,630 A 7/1999 Cassaday
- 5,967,608 A 10/1999 Van Sickle
- 5,975,632 A 11/1999 Ginat
- 6,059,362 A 5/2000 Lin

FOREIGN PATENT DOCUMENTS

WO WO01/70075 A1 9/2001

Primary Examiner — Mimosa De

(74) *Attorney, Agent, or Firm* — Michael Best & Friedrich LLP

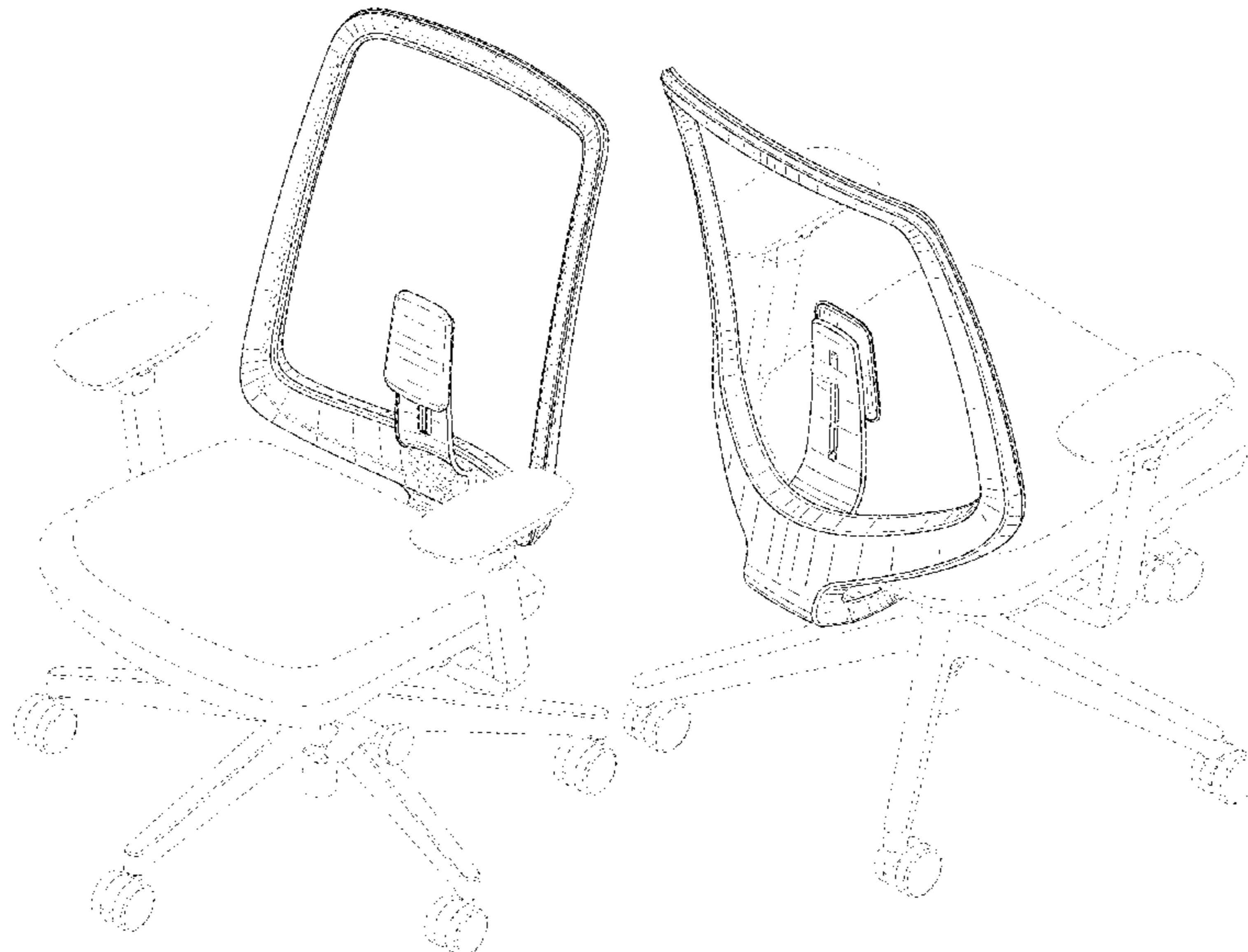
(57) **CLAIM**

I claim the ornamental design for a chair, as shown and described.

DESCRIPTION

FIG. 1 is a front perspective view of a chair.
 FIG. 2 is a back perspective view of the chair of FIG. 1.
 FIG. 3 is a first side view of the chair of FIG. 1.
 FIG. 4 is a second side view of the chair of FIG. 1.
 FIG. 5 is a front view of the chair of FIG. 1.
 FIG. 6 is a back view of the chair of FIG. 1.
 FIG. 7 is a top view of the chair of FIG. 1; and,
 FIG. 8 is a bottom view of the chair of FIG. 1.
 Portions of the chair shown in broken lines form no part of the claimed design.

1 Claim, 8 Drawing Sheets



(56)

References Cited

U.S. PATENT DOCUMENTS

8,845,024	B2	9/2014	Beyer et al.	
8,926,016	B2	1/2015	Behar et al.	
D734,971	S	7/2015	Izawa	
D773,199	S *	12/2016	Neil	D6/366
D782,240	S	3/2017	Wada	
D793,141	S *	8/2017	Igarashi	D6/716.4
D810,487	S *	2/2018	Kim	D6/716.4
D834,844	S *	12/2018	Chan	D6/366
D844,358	S *	4/2019	Chadwick	D6/716.4
D845,692	S *	4/2019	Chadwick	D6/716.4
10,264,890	B2 *	4/2019	Aldrich	A47C 7/462
D869,889	S	12/2019	Deevers et al.	
D869,890	S *	12/2019	Deevers	D6/716.4
D870,479	S *	12/2019	Deevers	D6/366
D889,152	S *	7/2020	Hecht	D6/366
D911,762	S *	3/2021	Van Faasen	D6/716.4

* cited by examiner

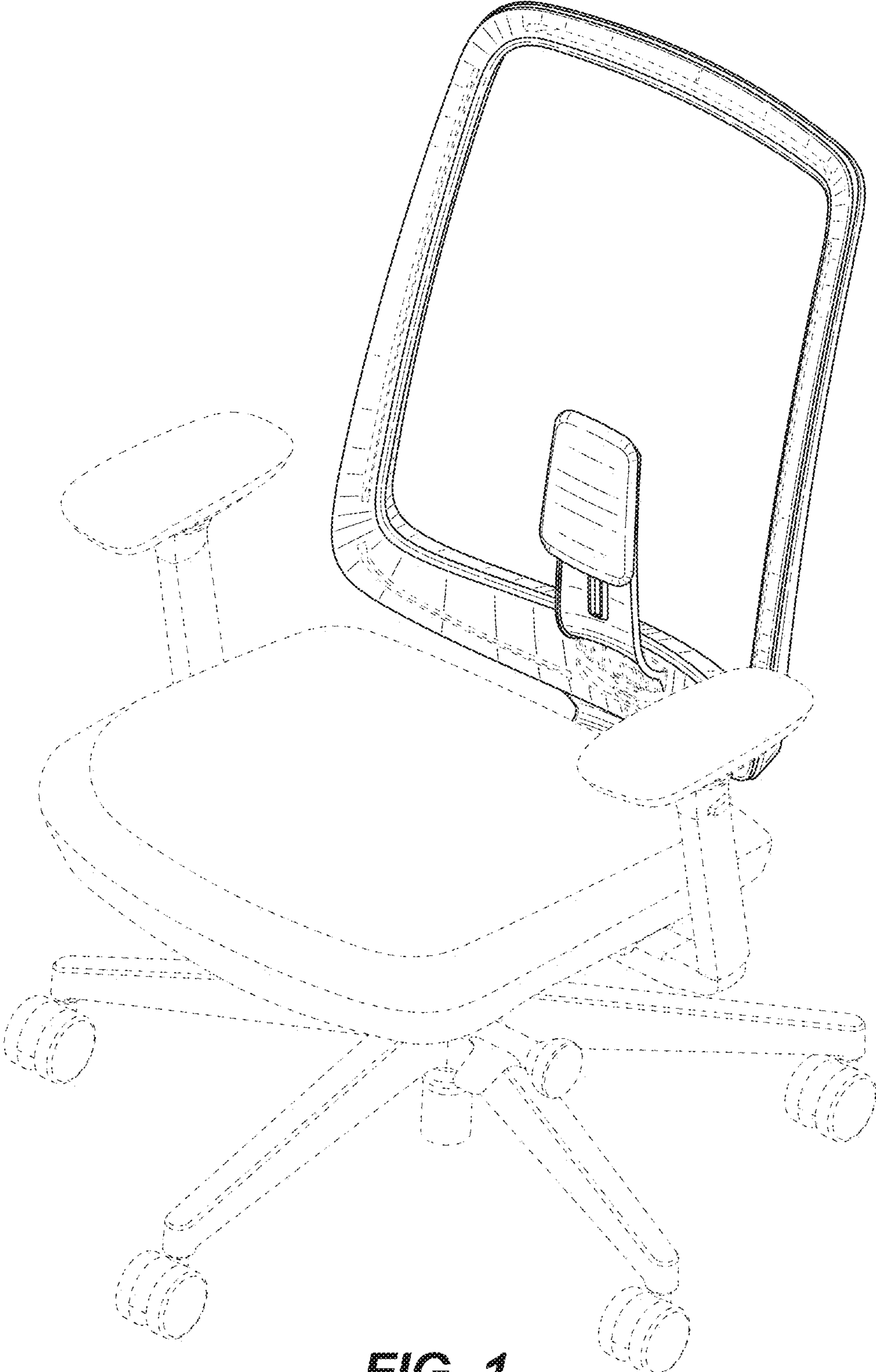


FIG. 1

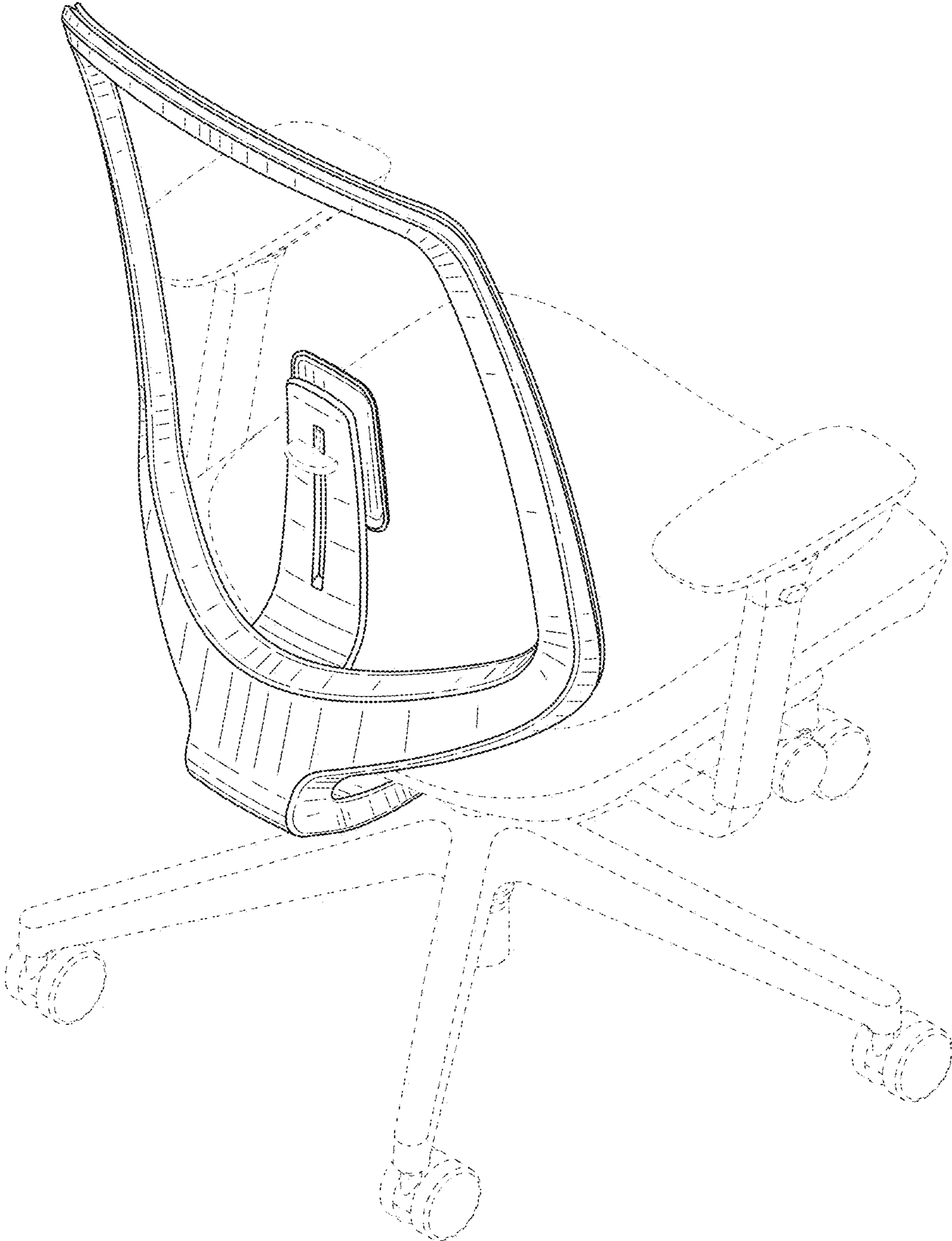


FIG. 2

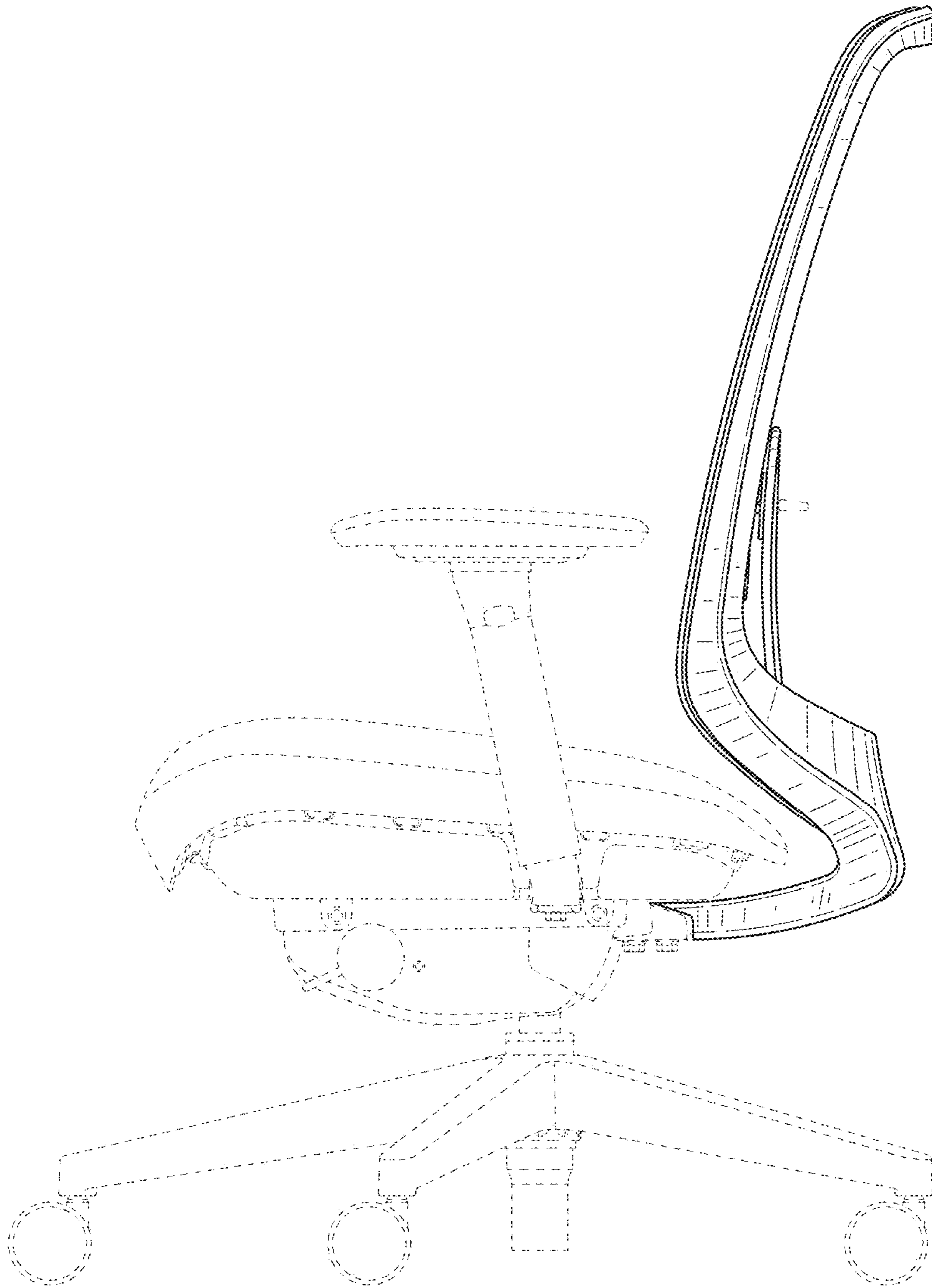


FIG. 3

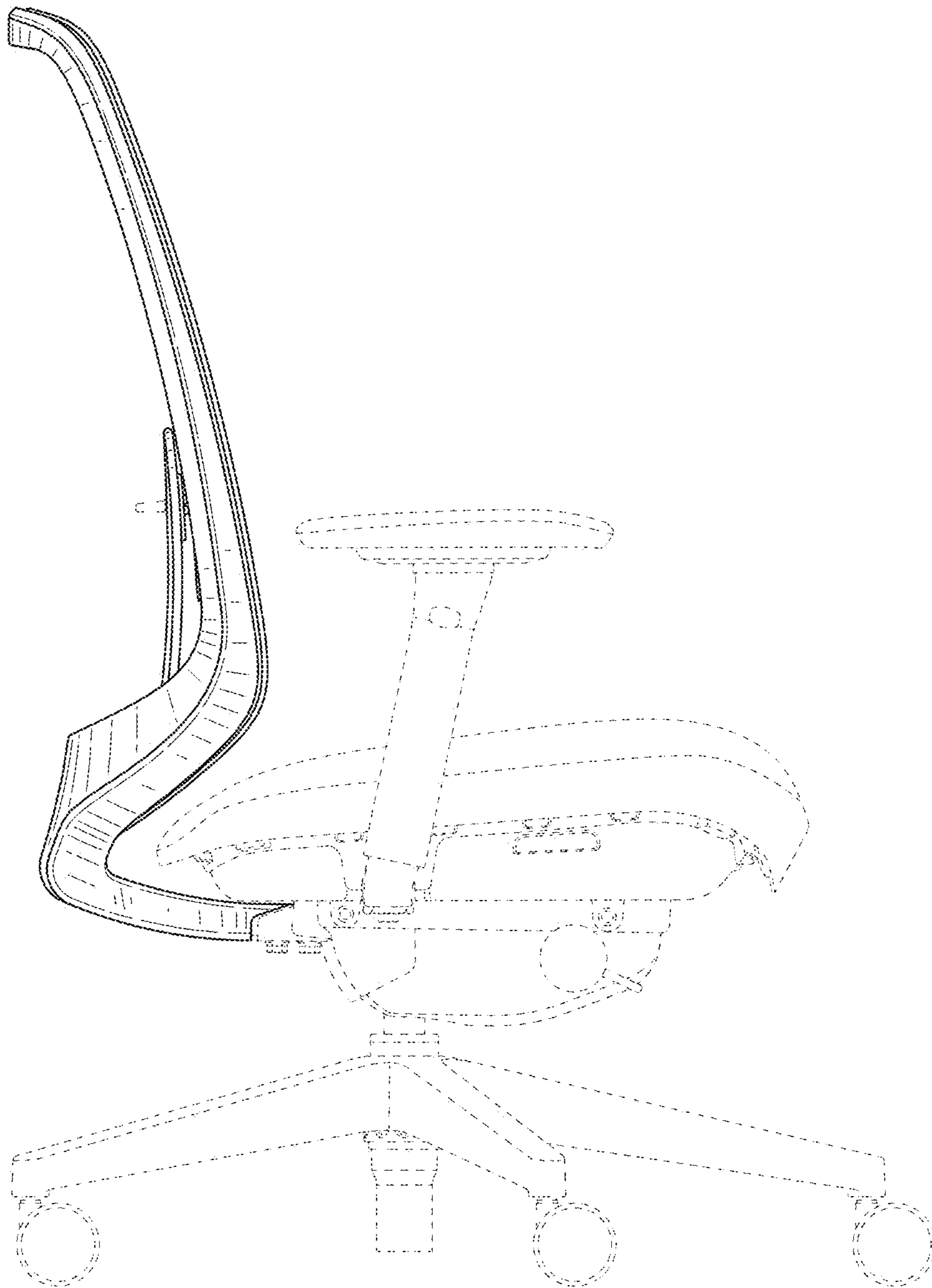


FIG. 4

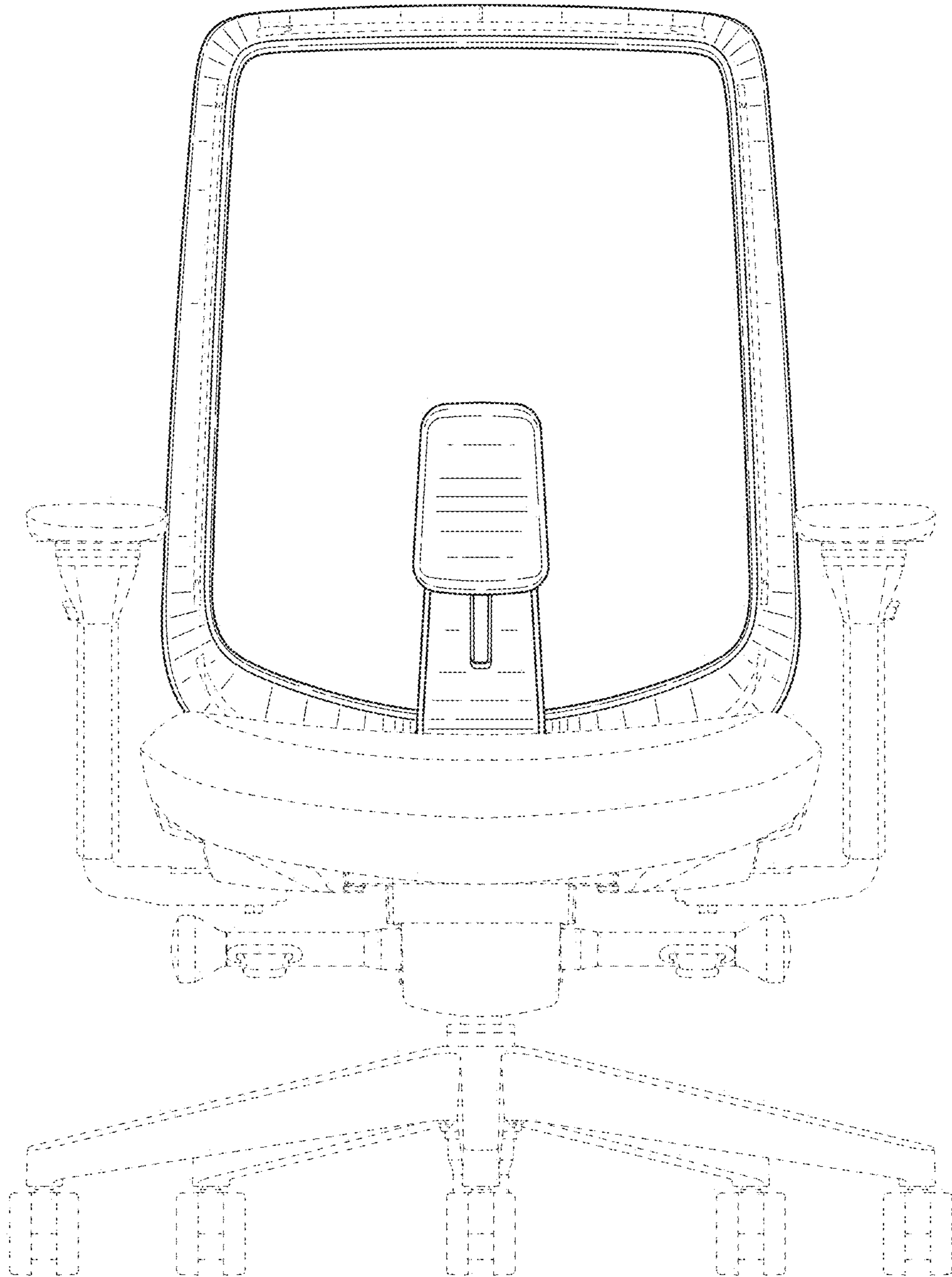


FIG. 5

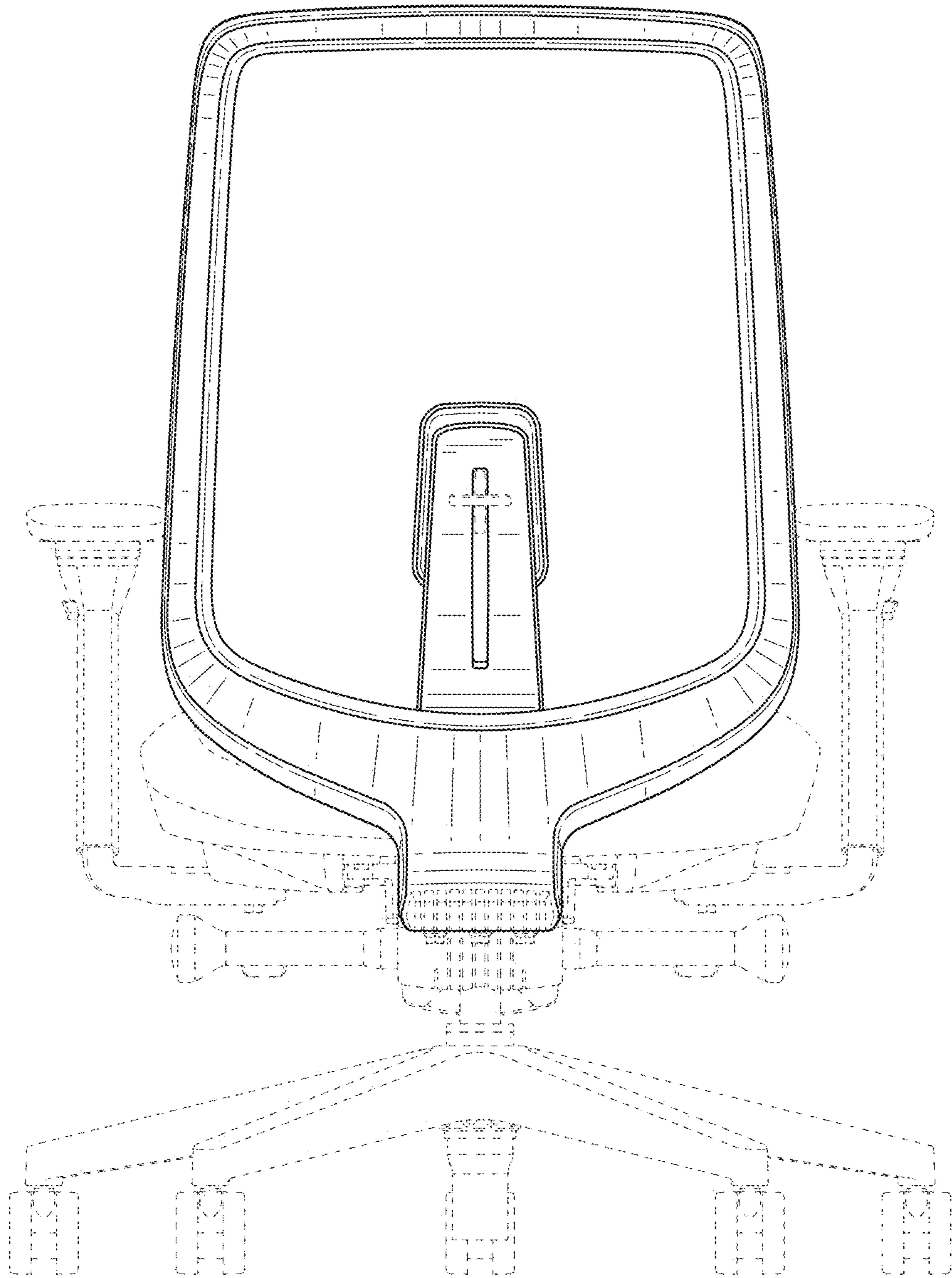


FIG. 6

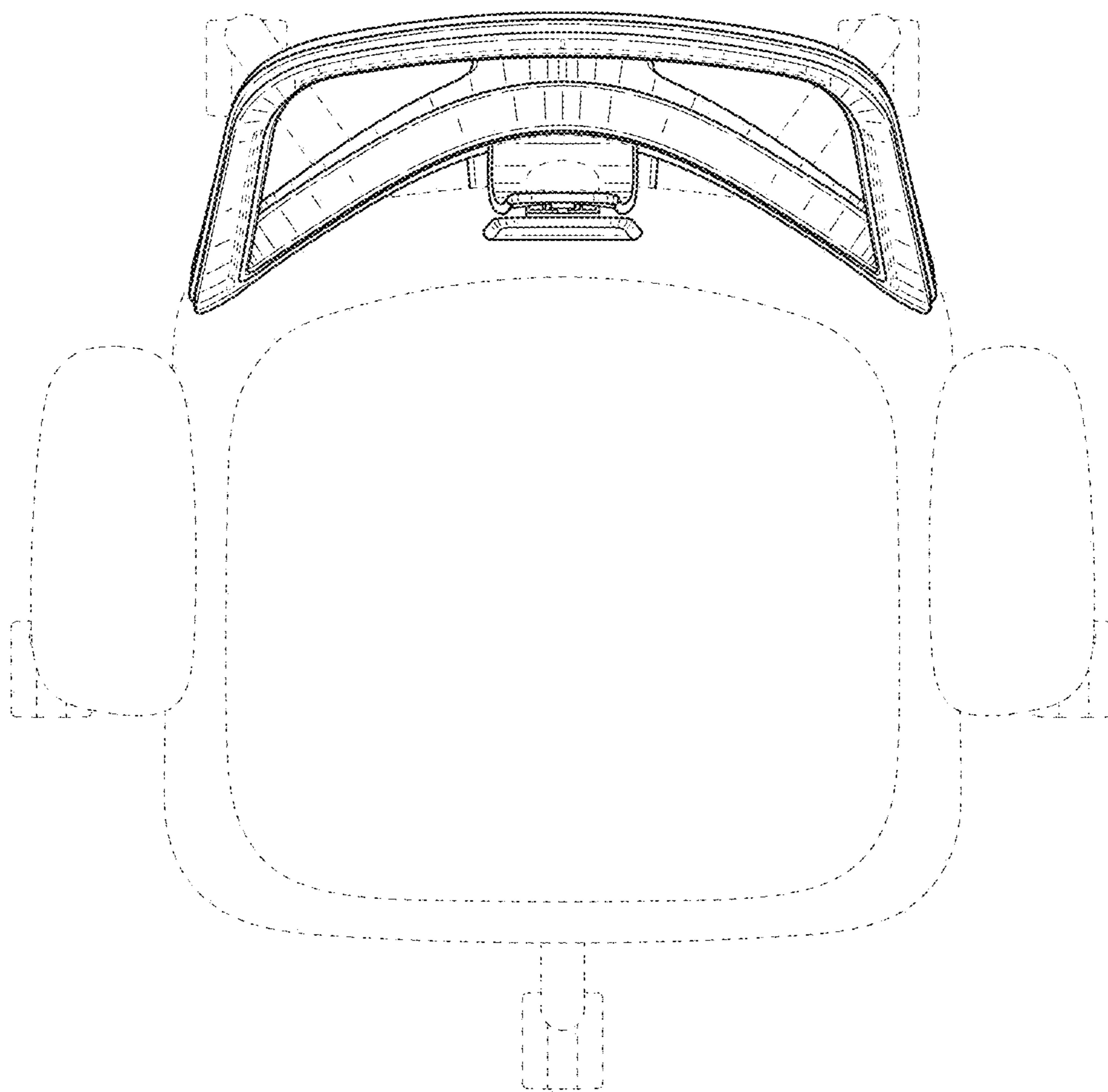


FIG. 7

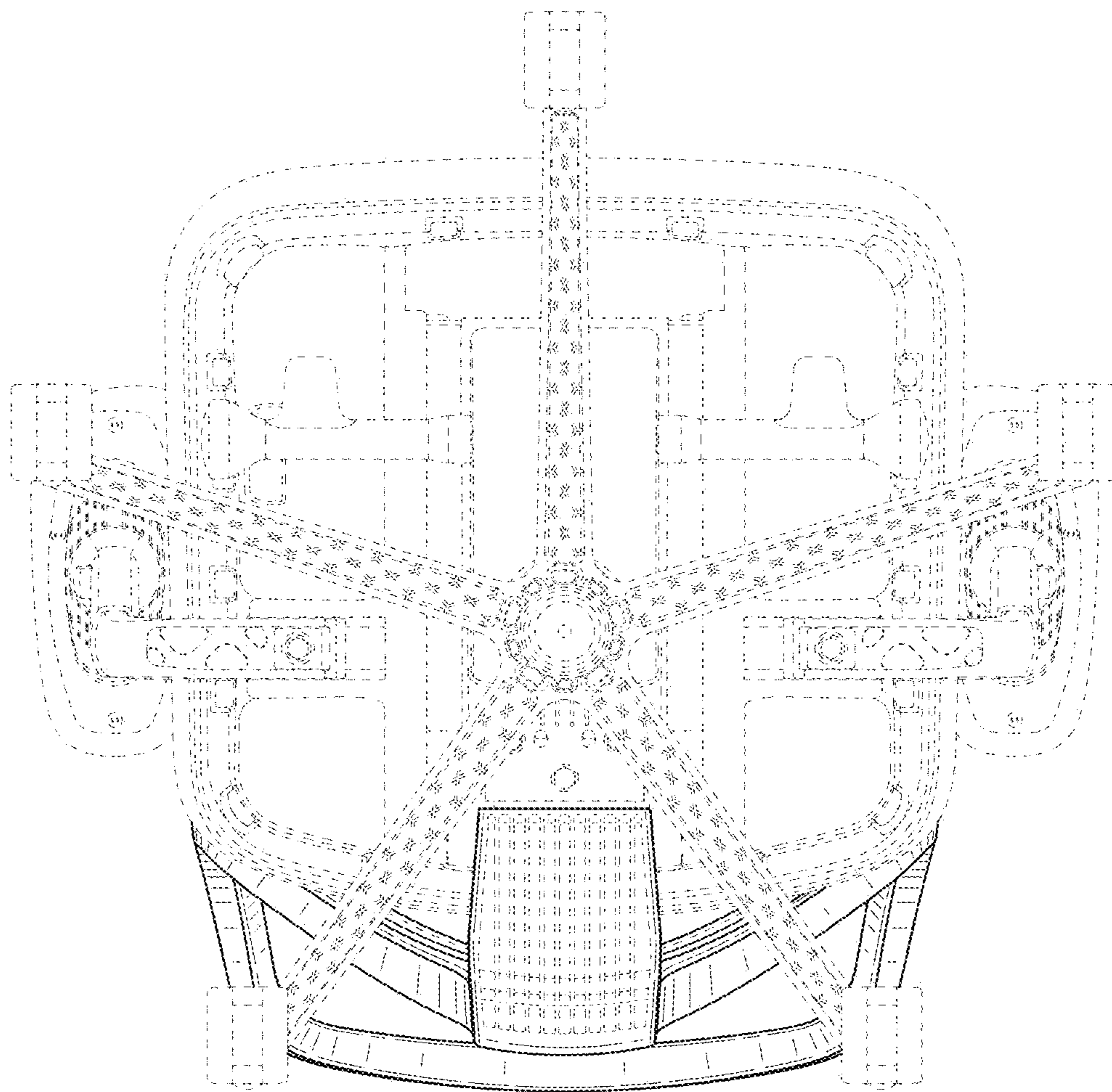


FIG. 8