



US00D925957S

(12) **United States Design Patent** (10) **Patent No.:** **US D925,957 S**
Jacobsthal et al. (45) **Date of Patent:** **** Jul. 27, 2021**

(54) **CONSOLE FOR A SEAT ARMREST**

(71) Applicant: **CNH Industrial America LLC**, New Holland, PA (US)

(72) Inventors: **Eric Michael Jacobsthal**, Elmhurst, IL (US); **John Torin Piper**, Burr Ridge, IL (US); **Russell Alan Meyer**, Crystal Lake, IL (US)

(73) Assignee: **CNH Industrial America LLC**, New Holland, PA (US)

(**) Term: **15 Years**

(21) Appl. No.: **29/686,637**

(22) Filed: **Apr. 5, 2019**

(51) **LOC (13) Cl.** **06-01**

(52) **U.S. Cl.**
USPC **D6/716.2**

(58) **Field of Classification Search**
USPC D6/334, 361, 364, 365, 366, 367, 379, D6/380, 716.1, 716.2, 716.4; D12/415, D12/419, 421

CPC A47C 3/00; A47C 3/18; A47C 3/20; A47C 3/026; A47C 1/00; A47C 1/02; A47C 1/022; A47C 1/03; A47C 1/14; A47C 1/143; A47C 7/24; A47C 7/36; A47C 7/46; A47C 7/18; A47C 7/40; A47C 7/54
See application file for complete search history.

(56) **References Cited**

U.S. PATENT DOCUMENTS

D346,066 S * 4/1994 Smith D12/416
6,942,295 B1 * 9/2005 Lopez A47C 1/024
267/141.1

2007/0267910 A1 * 11/2007 Bergin A47C 7/546
297/411.26
2017/0086592 A1 * 3/2017 Siverson A47C 4/00
2018/0316213 A1 * 11/2018 Havell H02J 9/06
2019/0316322 A1 * 10/2019 Haller B60N 2/773

FOREIGN PATENT DOCUMENTS

EP 1982864 A2 * 10/2008 B60N 2/38
KR 20020083803 A * 11/2002

* cited by examiner

Primary Examiner — R. Johnson

(74) *Attorney, Agent, or Firm* — Rebecca L. Henkel;
Rickard K. DeMille

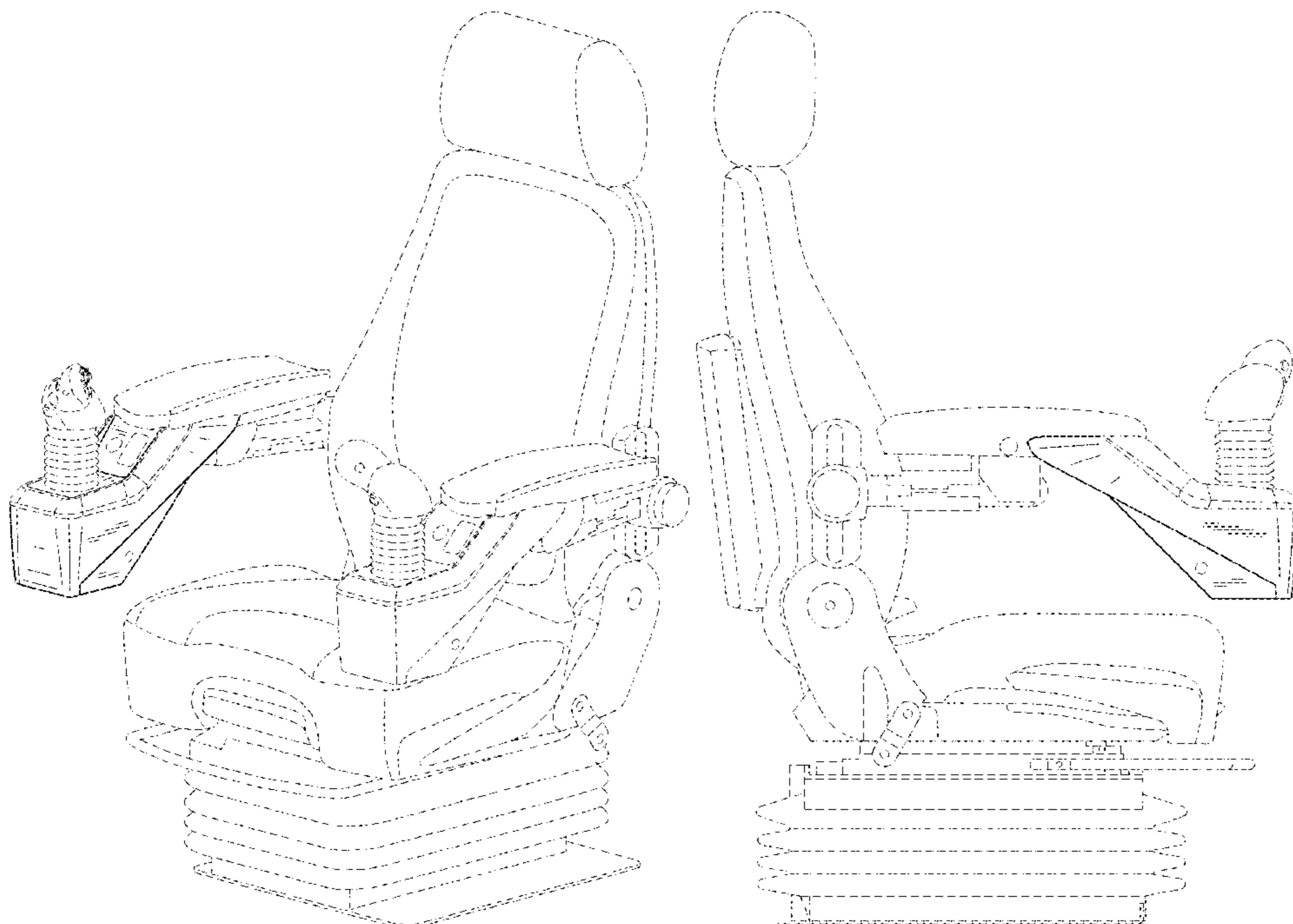
(57) **CLAIM**

The ornamental design for a console for a seat armrest, as shown and described.

DESCRIPTION

FIG. 1 is a perspective view of a console for a seat armrest; FIG. 2 is a front view of the console; FIG. 3 is a back view of the console; FIG. 4 is a right side view of the console; FIG. 5 is a left side view of the console; FIG. 6 is a top view of the console; and, FIG. 7 is a bottom view of the console. Phantom lines, where utilized, are for illustrative purposes only and form no part of the claimed design.

1 Claim, 7 Drawing Sheets



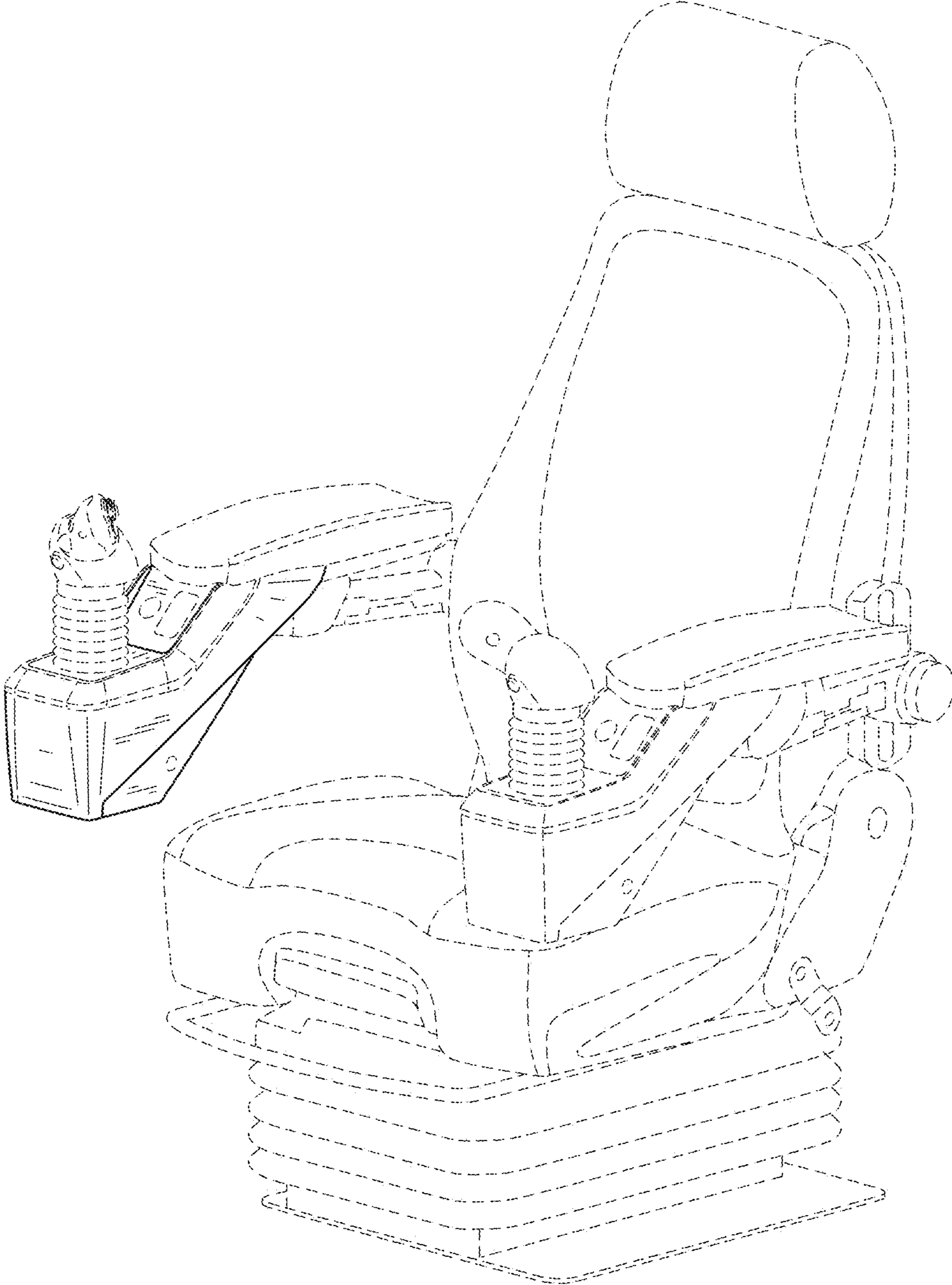


FIG. 1

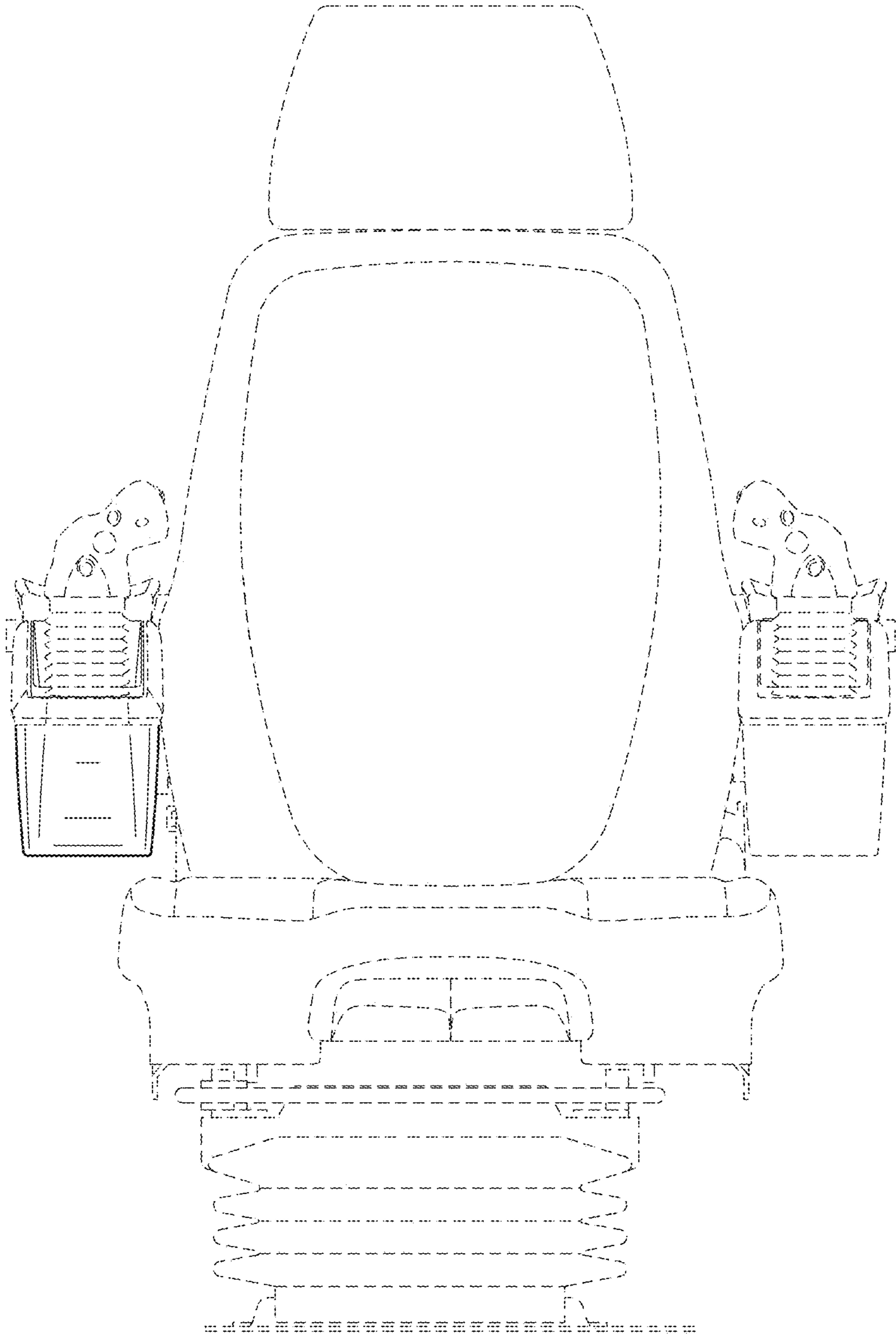


FIG. 2

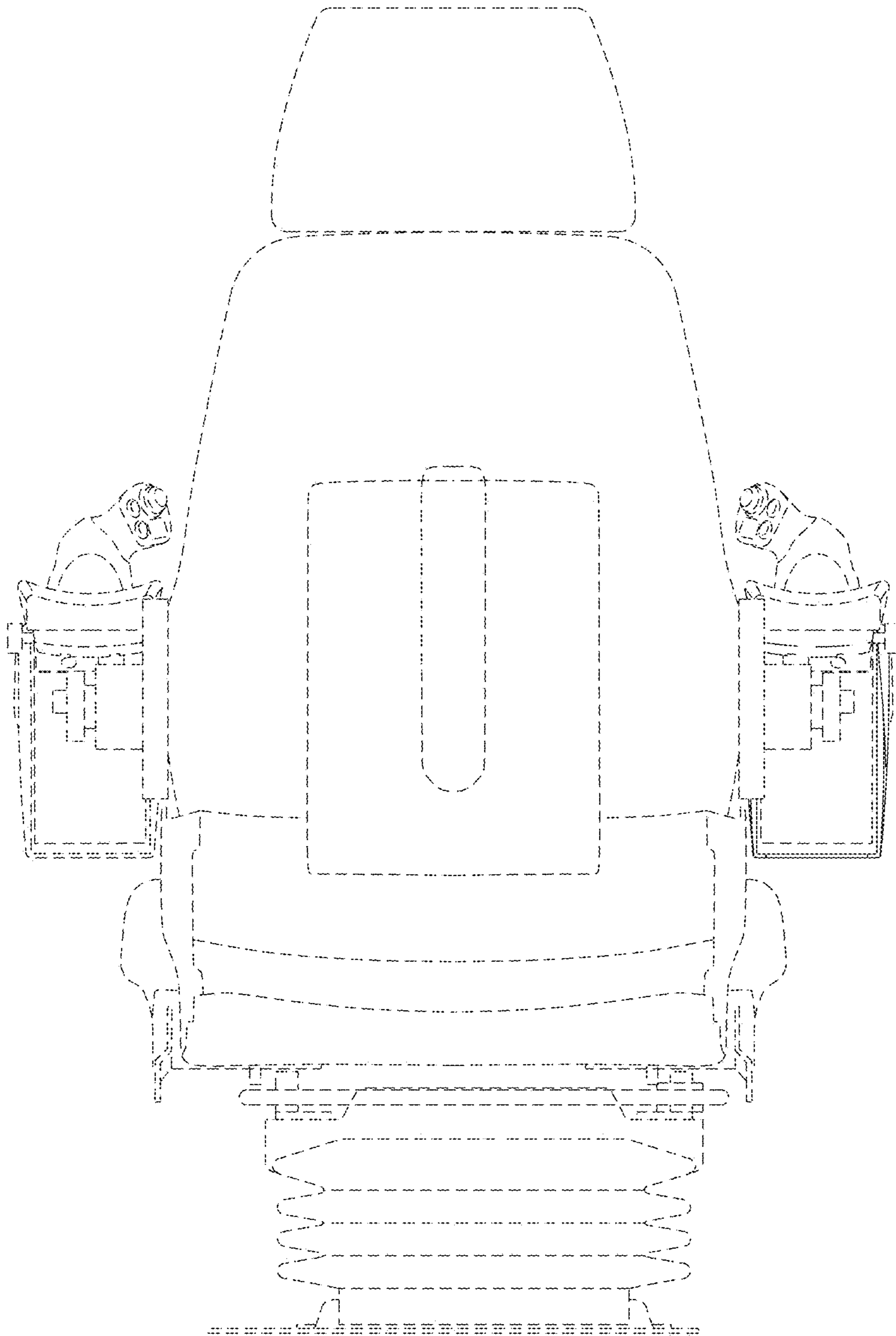


FIG. 3

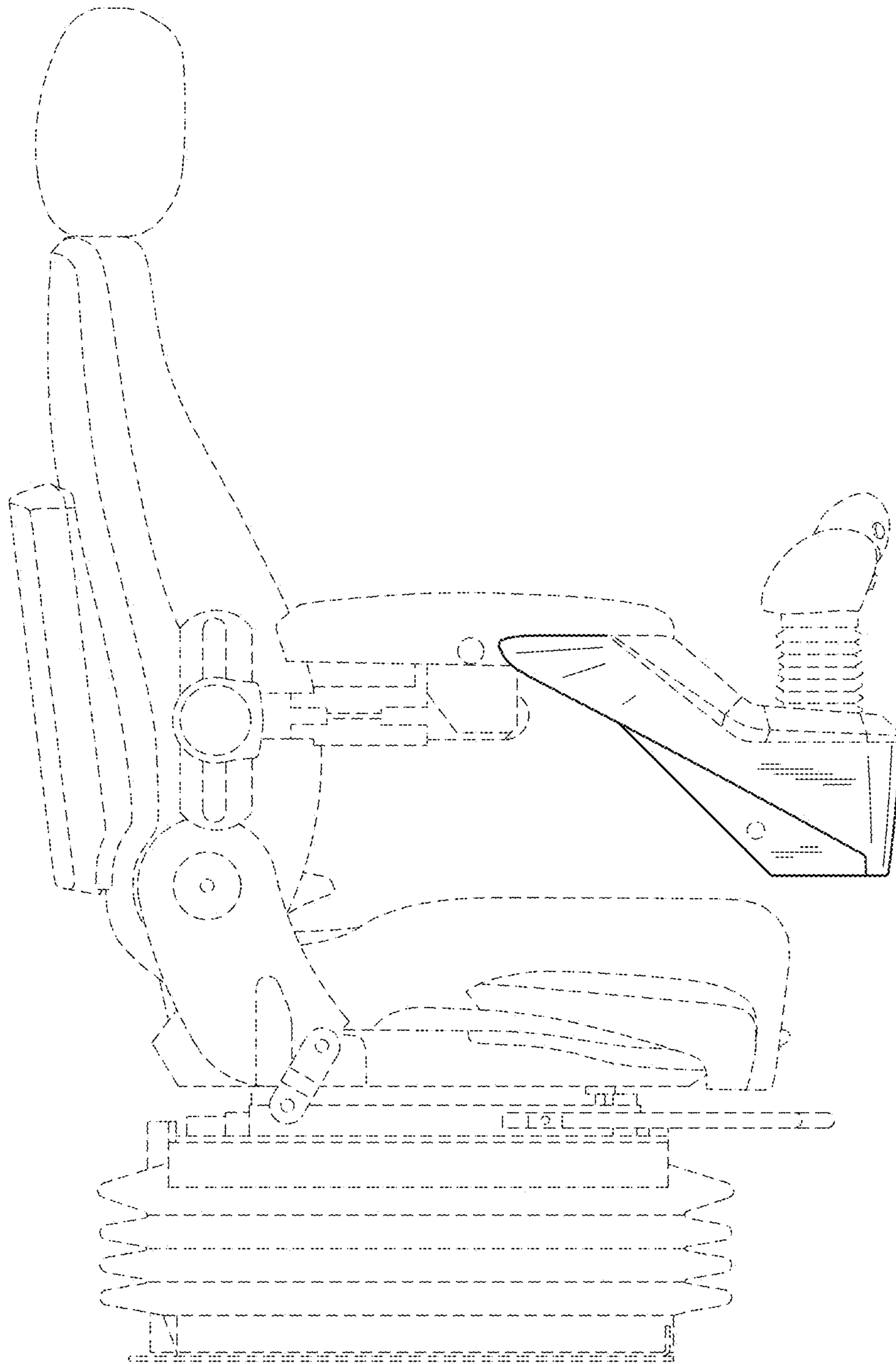


FIG. 4

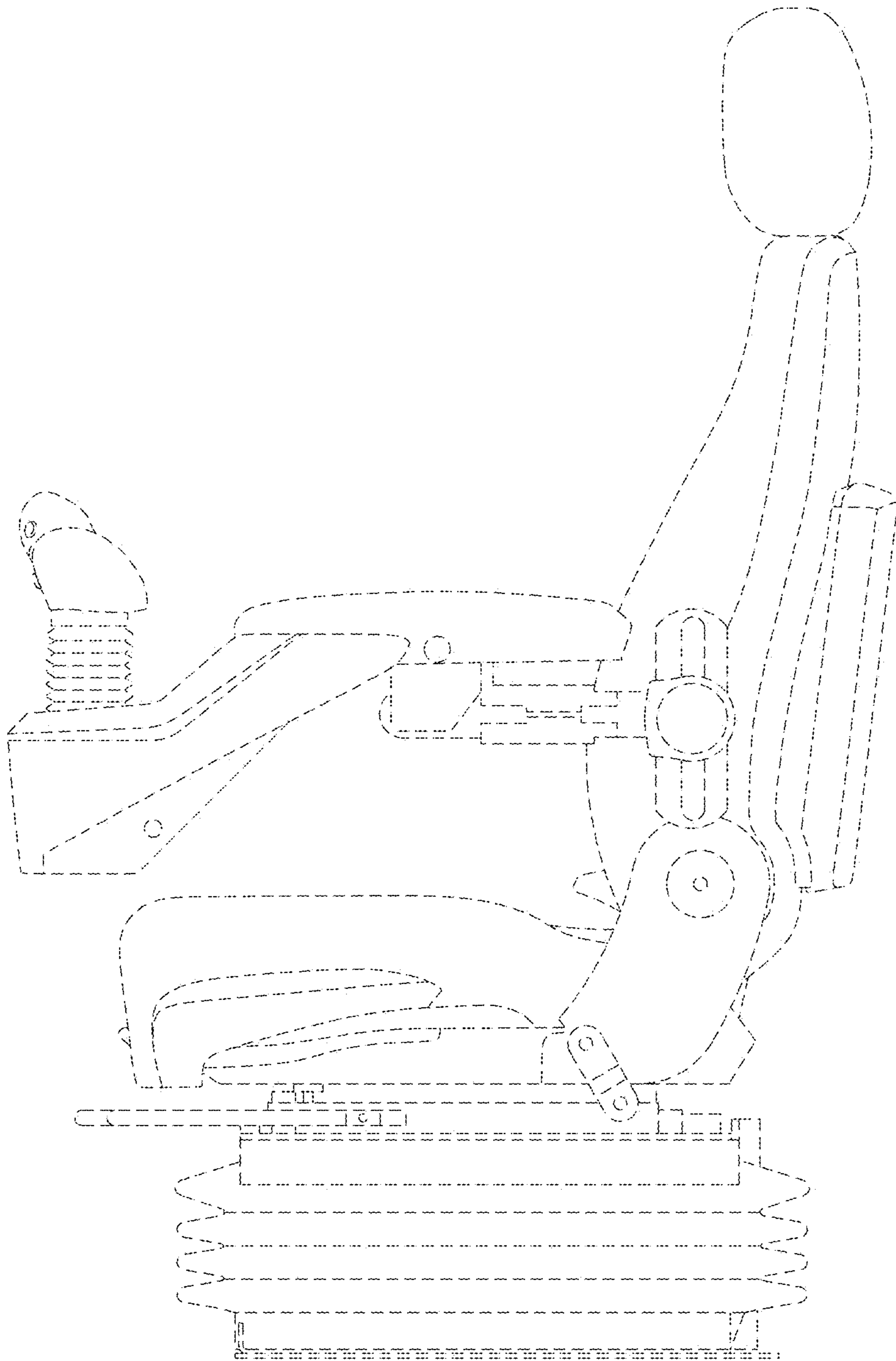


FIG. 5

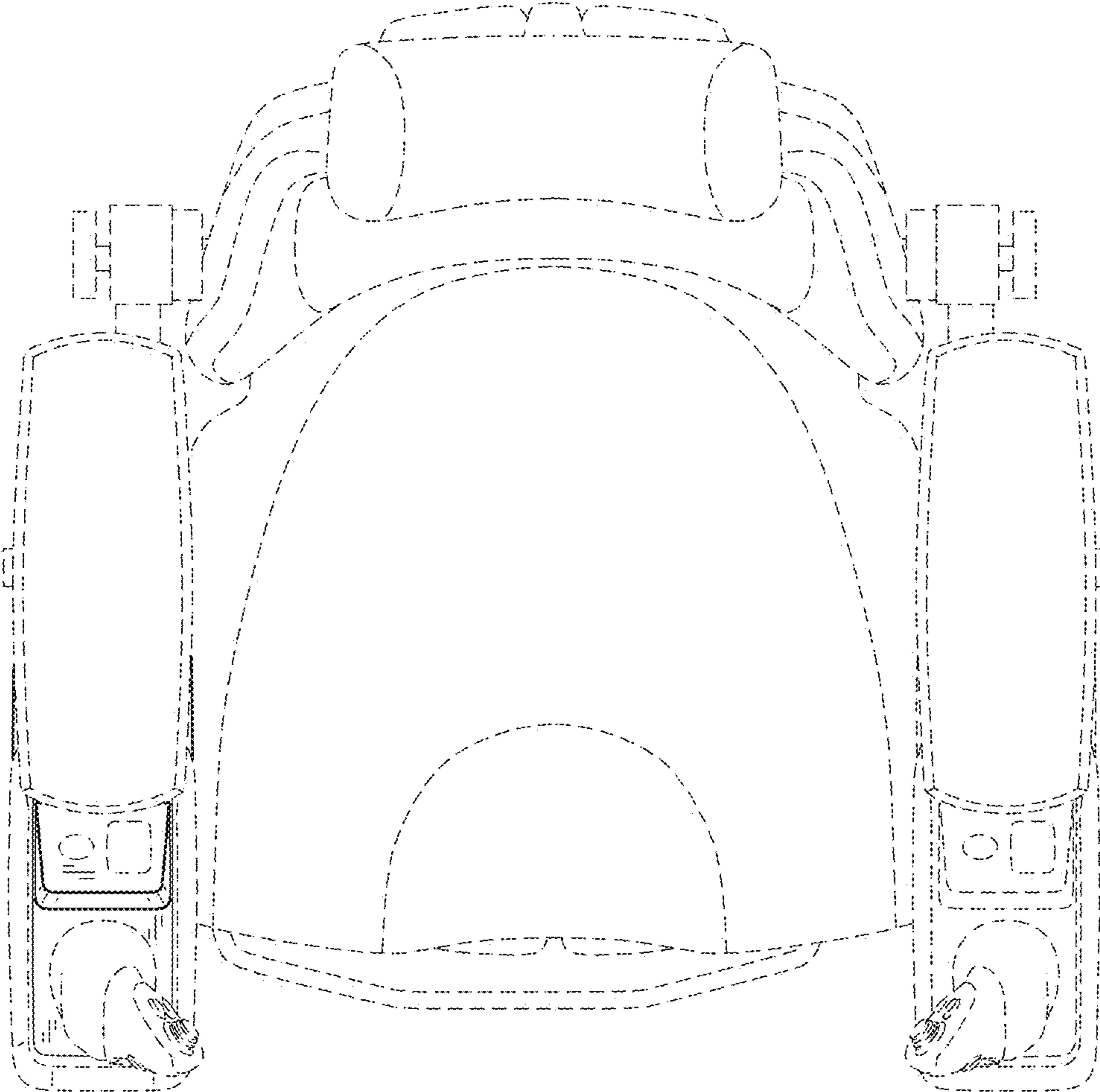


FIG. 6

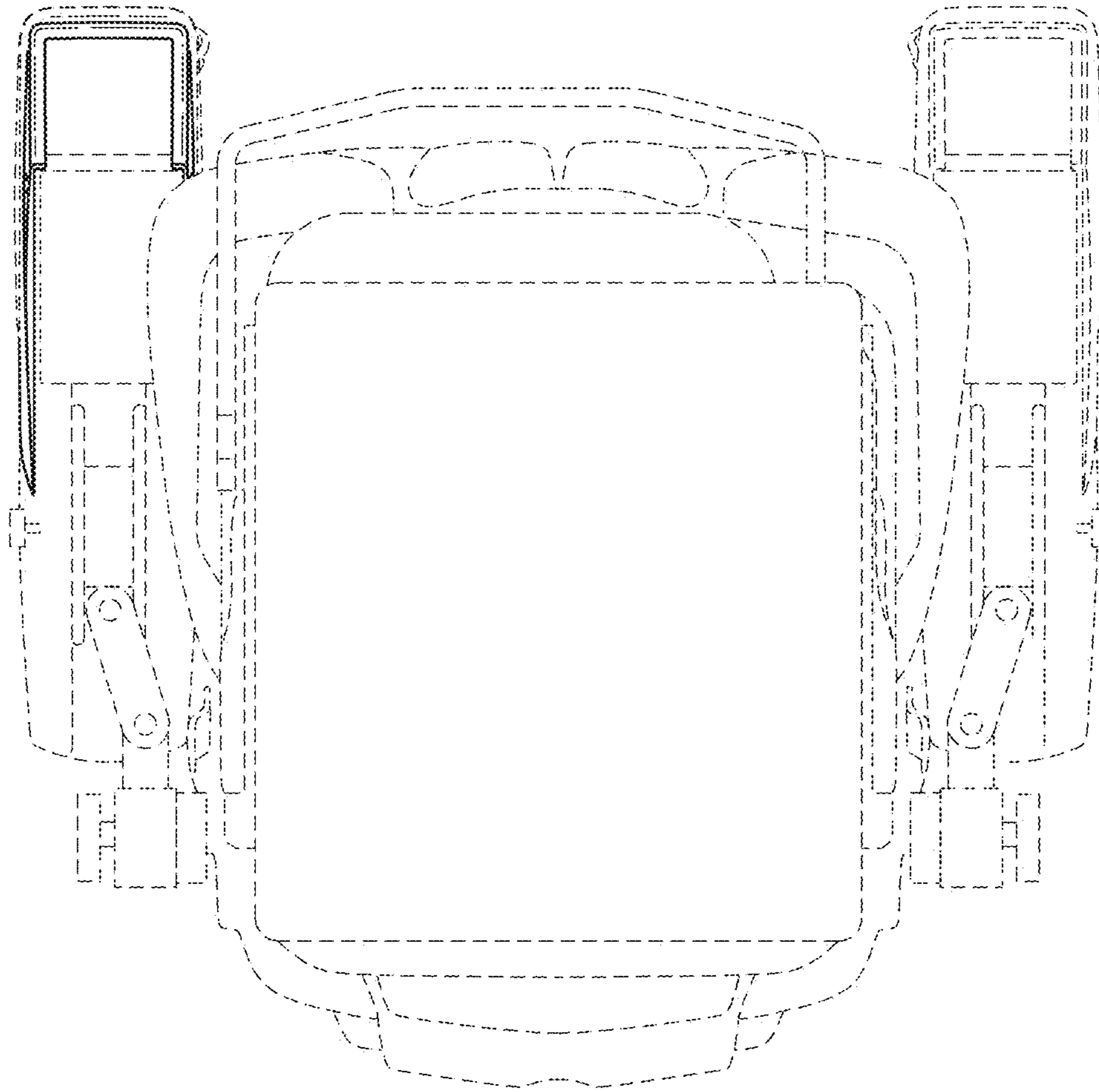


FIG. 7