



US00D925956S

(12) **United States Design Patent** (10) **Patent No.:** **US D925,956 S**  
**Lampela et al.** (45) **Date of Patent:** **\*\* Jul. 27, 2021**

(54) **CHAIR**

- (71) Applicant: **Office Depot, Inc.**, Boca Raton, FL (US)
- (72) Inventors: **Johannes Lampela**, Woodland Hills, CA (US); **Andre de Salis**, Pasadena, CA (US); **Tim Chuang**, Encino, CA (US); **Jirawat Jeanvigite**, Los Angeles, CA (US); **Alexandra McGill**, Los Angeles, CA (US); **Mike Trump**, Los Angeles, CA (US); **Ross Carmichael**, Everett, WA (US); **Ahmed Youssef**, Newbury Park, CA (US)
- (73) Assignee: **Office Depot, Inc.**, Boca Raton, FL (US)
- (\*\*) Term: **15 Years**
- (21) Appl. No.: **29/725,462**
- (22) Filed: **Feb. 25, 2020**

**Related U.S. Application Data**

- (62) Division of application No. 29/627,133, filed on Nov. 22, 2017, now Pat. No. Des. 879,523.
- (51) **LOC (13) Cl.** ..... **06-01**
- (52) **U.S. Cl.**  
USPC ..... **D6/716; D6/366**
- (58) **Field of Classification Search**  
USPC ..... D6/334-336, 364, 365, 366, 374, 375, D6/379, 380, 716, 716.1, 716.2, 716.4  
CPC ..... A47C 7/002; A47C 7/004; A47C 7/006; A47C 7/02; A47C 7/18; A47C 7/24; A47C 7/282; A47C 7/285; A47C 7/40; A47C 7/44; A47C 7/46; A47C 7/54  
See application file for complete search history.

(56) **References Cited**

**U.S. PATENT DOCUMENTS**

D309,383	S	*	7/1990	Muller-Deisig	.....	D6/366
D312,003	S	*	11/1990	Muller-Deisig	.....	D6/366
D353,718	S	*	12/1994	Olson	.....	D6/366
D354,631	S	*	1/1995	Orlandini	.....	D6/366
D433,833	S	*	11/2000	Schultz	.....	D6/366
D493,627	S	*	8/2004	Ma	.....	D6/366
D514,832	S	*	2/2006	Tsai	.....	D6/366
D579,223	S	*	10/2008	Greutmann	.....	D6/366
D655,112	S	*	3/2012	Kubryk	.....	D6/716
D661,136	S	*	6/2012	Su	.....	D6/716.4
D689,314	S	*	9/2013	Smith	.....	D6/716
D707,995	S	*	7/2014	McEneaney	.....	D6/716
D727,075	S	*	4/2015	Usumoto	.....	D6/716
D750,911	S	*	3/2016	Su	.....	D6/366
D758,087	S	*	6/2016	Bonneywell	.....	D6/366
D821,771	S	*	7/2018	Ciani	.....	D6/375

(Continued)

*Primary Examiner* — Mimosa De

(74) *Attorney, Agent, or Firm* — Greenberg Traurig, LLP

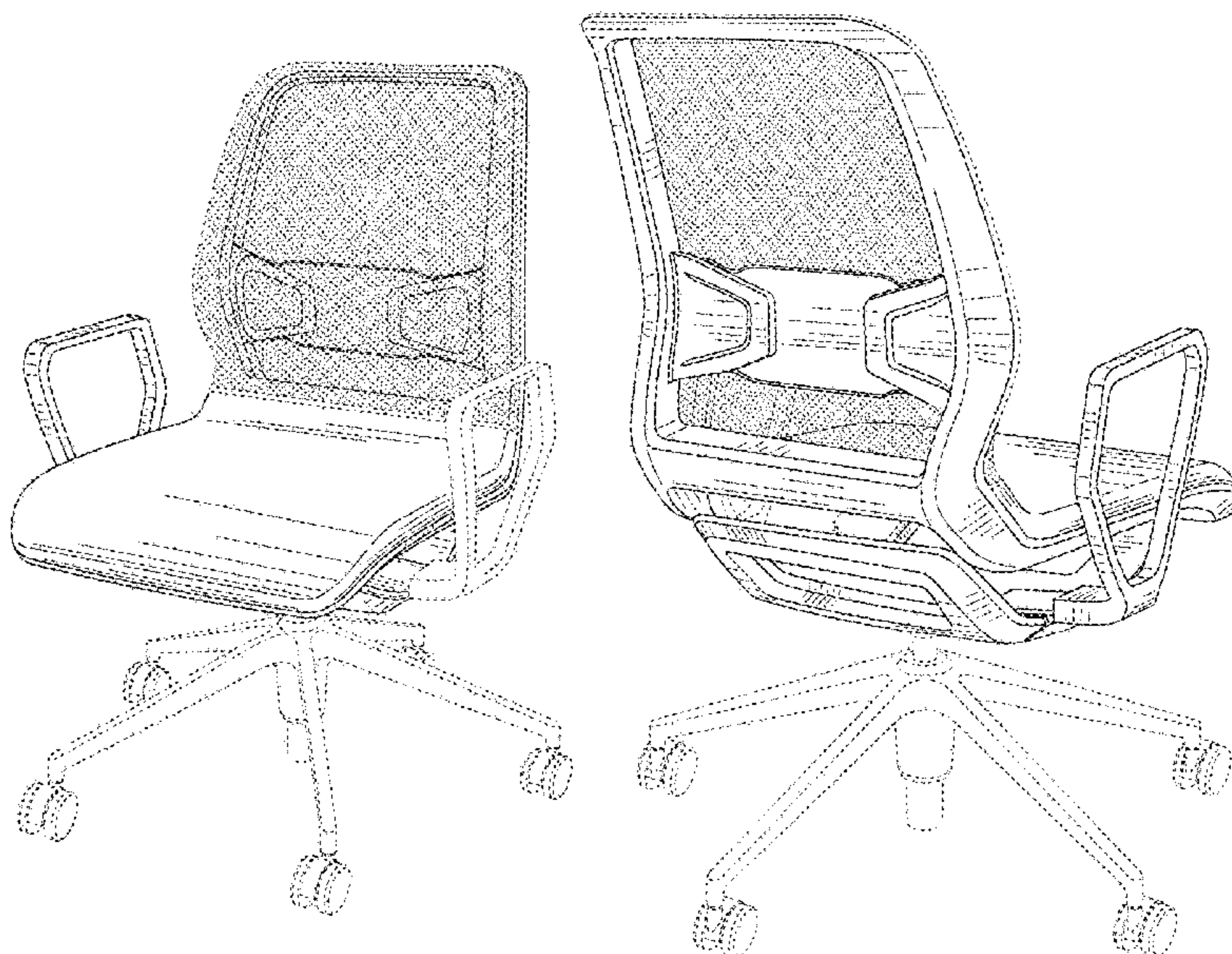
(57) **CLAIM**

The ornamental design for a chair, as shown and described.

**DESCRIPTION**

FIG. 1 is a front right perspective view of a chair of our new design;  
 FIG. 2 is a front view of the chair shown in FIG. 1;  
 FIG. 3 is a rear view of the chair shown in FIG. 1;  
 FIG. 4 is a left side view of the chair shown in FIG. 1;  
 FIG. 5 is a right side view of the chair shown in FIG. 1;  
 FIG. 6 is a top view of the chair shown in FIG. 1;  
 FIG. 7 is a bottom plan view of the chair shown in FIG. 1; and,  
 FIG. 8 is a rear bottom perspective plan view of the chair shown in FIG. 1.  
 The broken lines are included to show features that form no part of the claimed design.

**1 Claim, 8 Drawing Sheets**



(56)

**References Cited**

U.S. PATENT DOCUMENTS

D833,767 S	*	11/2018	Wilkinson	.....	D6/366
D846,932 S	*	4/2019	Lampela	.....	D6/716.4
D850,835 S	*	6/2019	Read	.....	D6/716
D856,055 S	*	8/2019	Read	.....	D6/716
D874,202 S	*	2/2020	Schmitz	.....	D6/716
D879,523 S	*	3/2020	Lampela	.....	D6/716
D899,123 S	*	10/2020	Wilkinson	.....	D6/366

\* cited by examiner



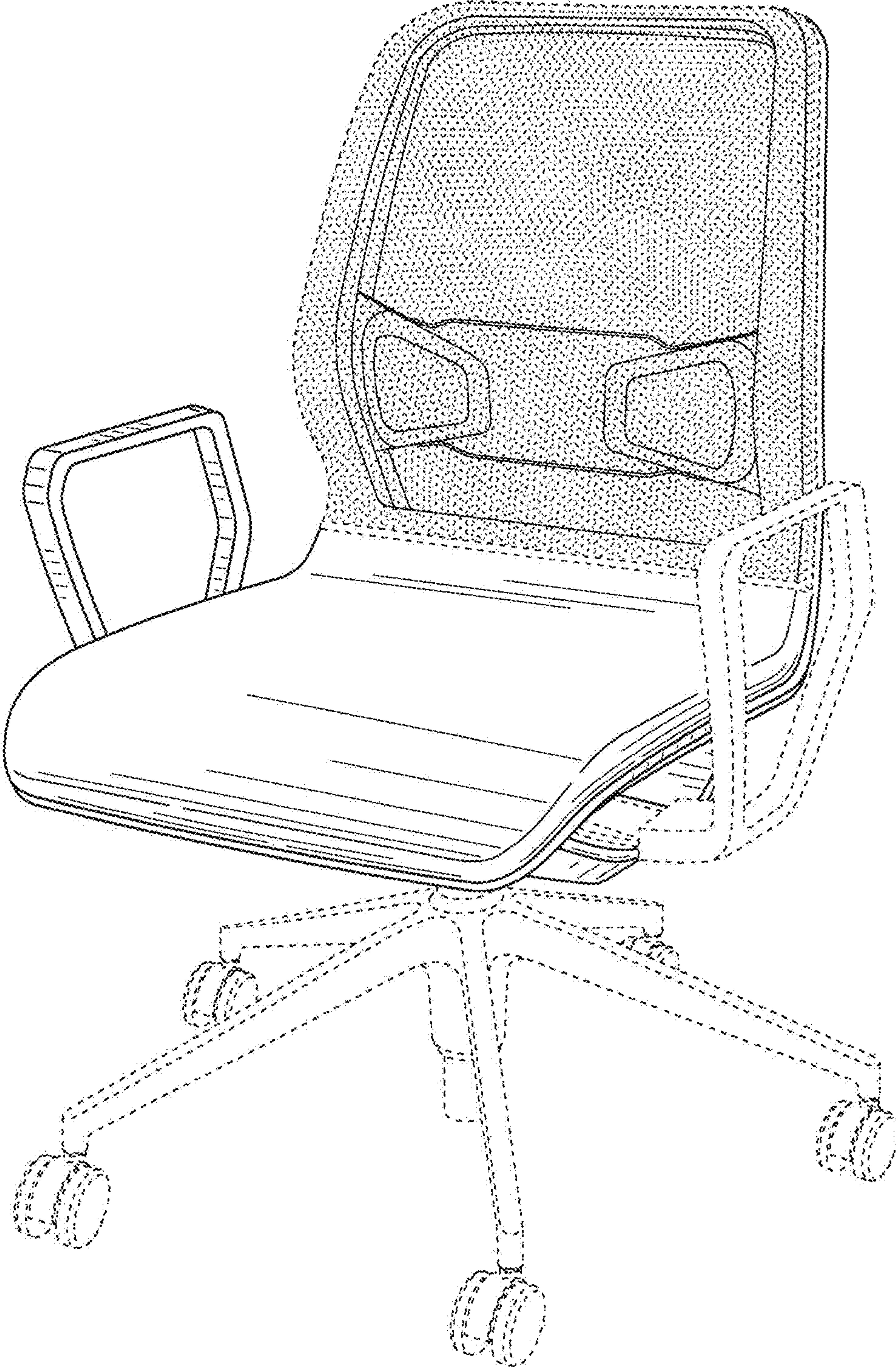


FIG. 1



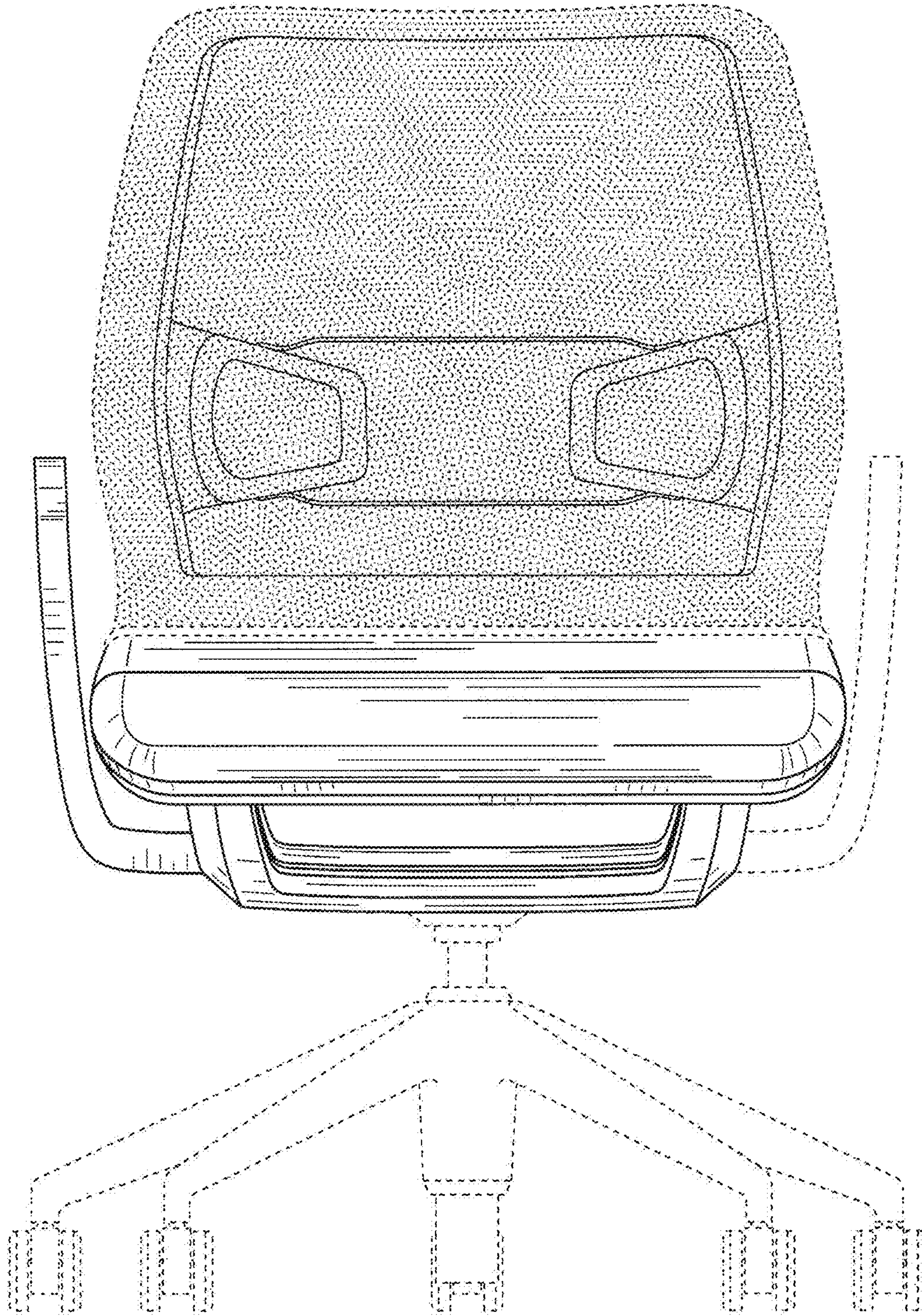


FIG. 2



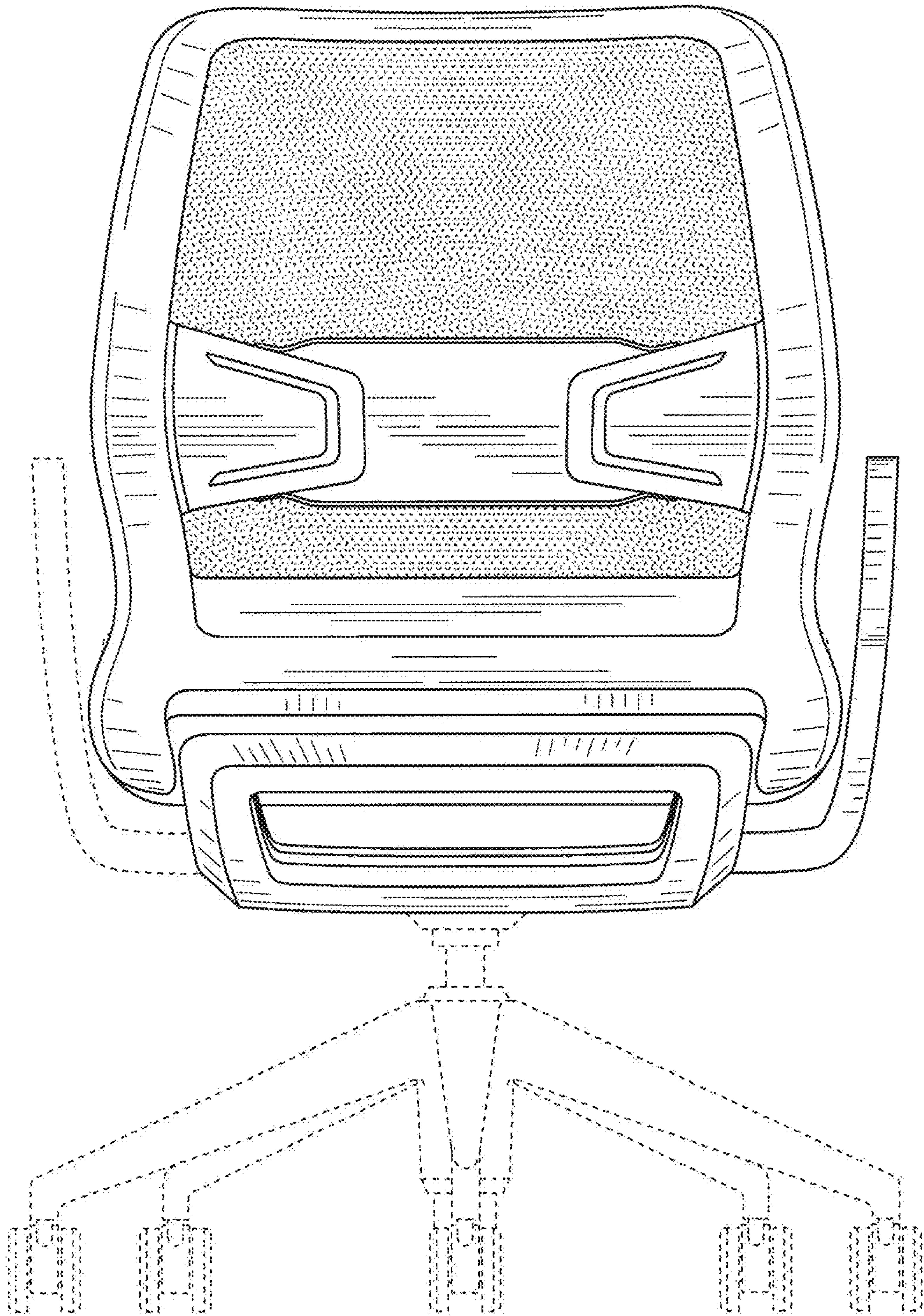


FIG. 3

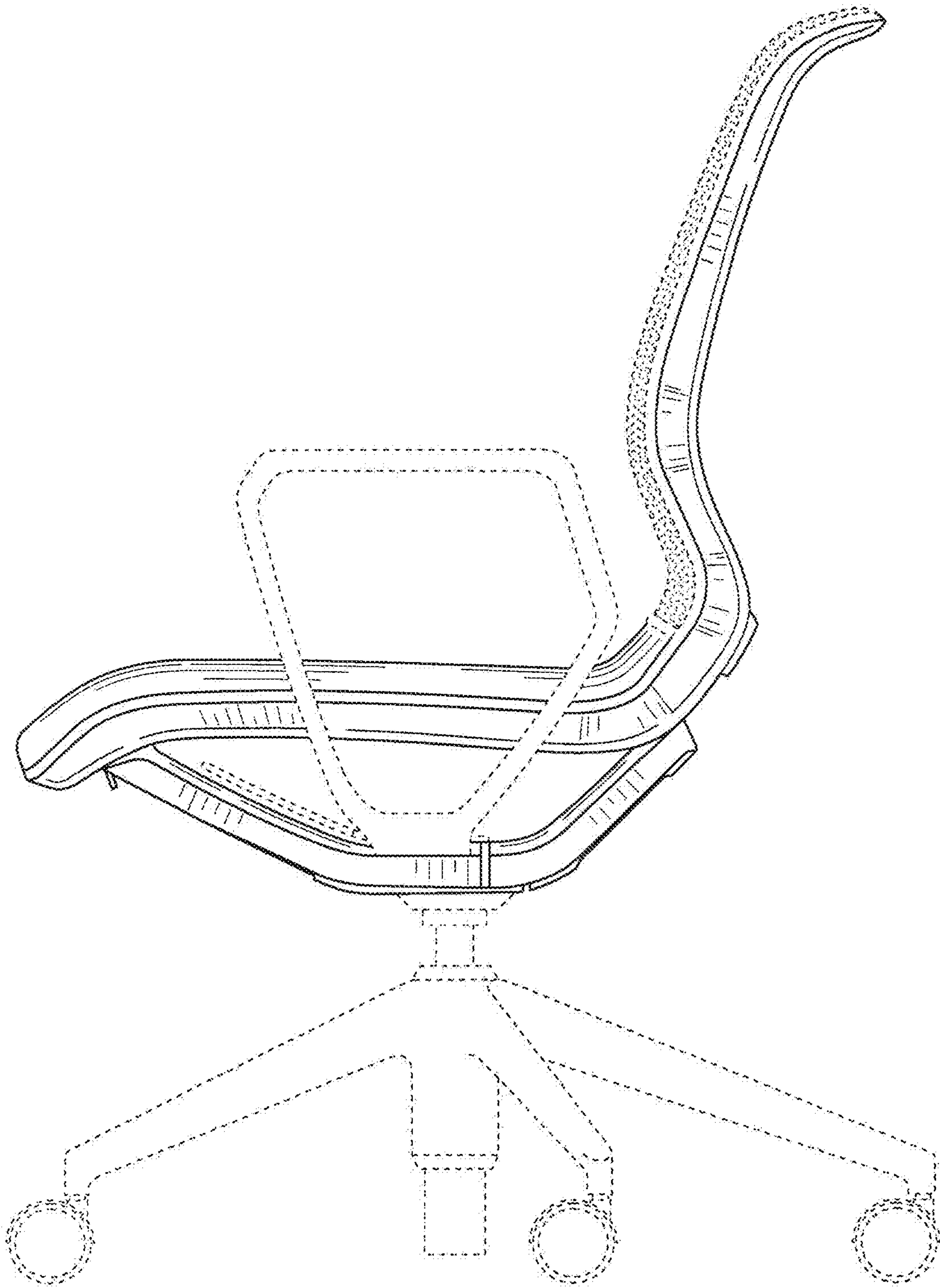


FIG. 4

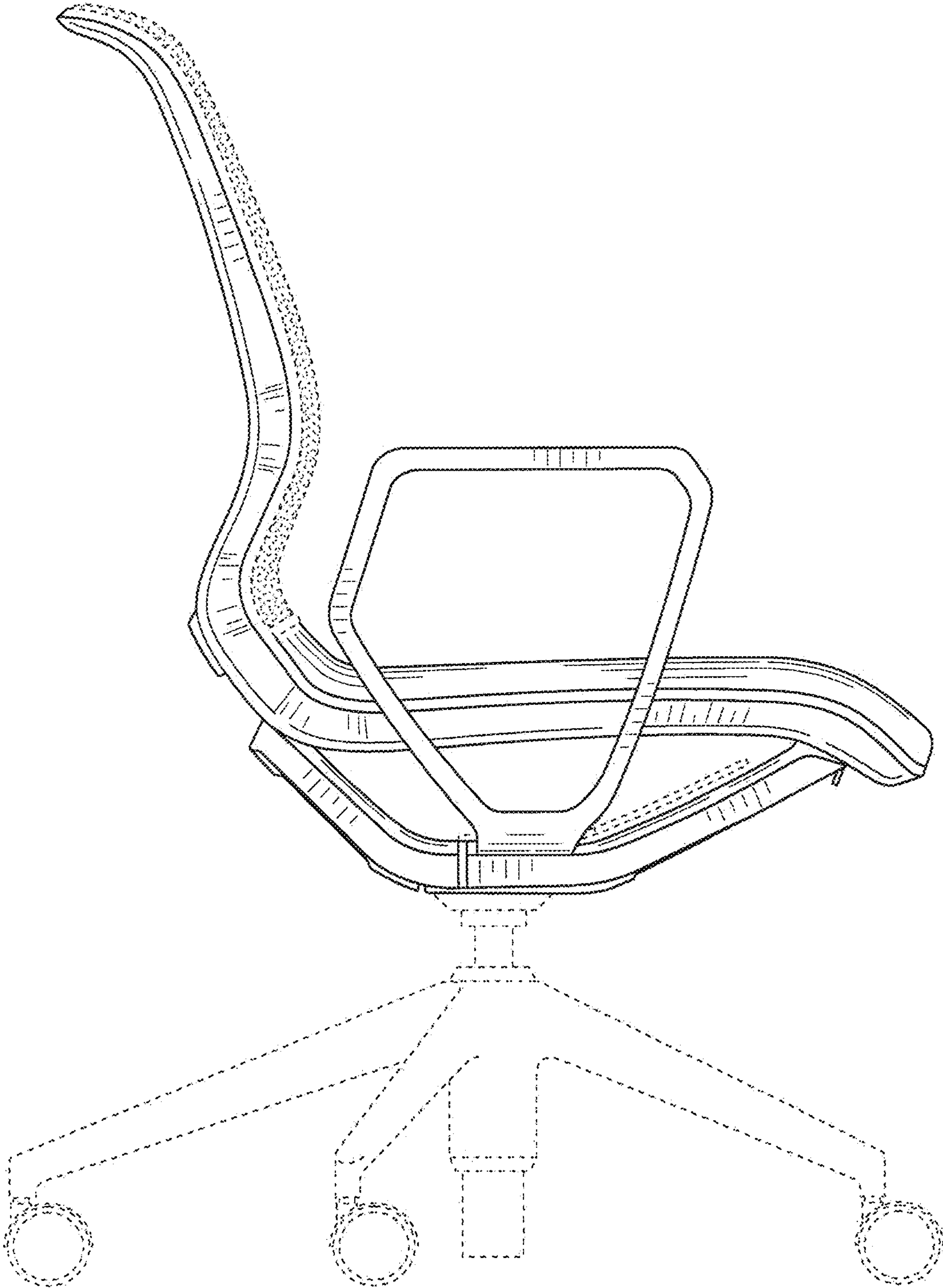


FIG. 5



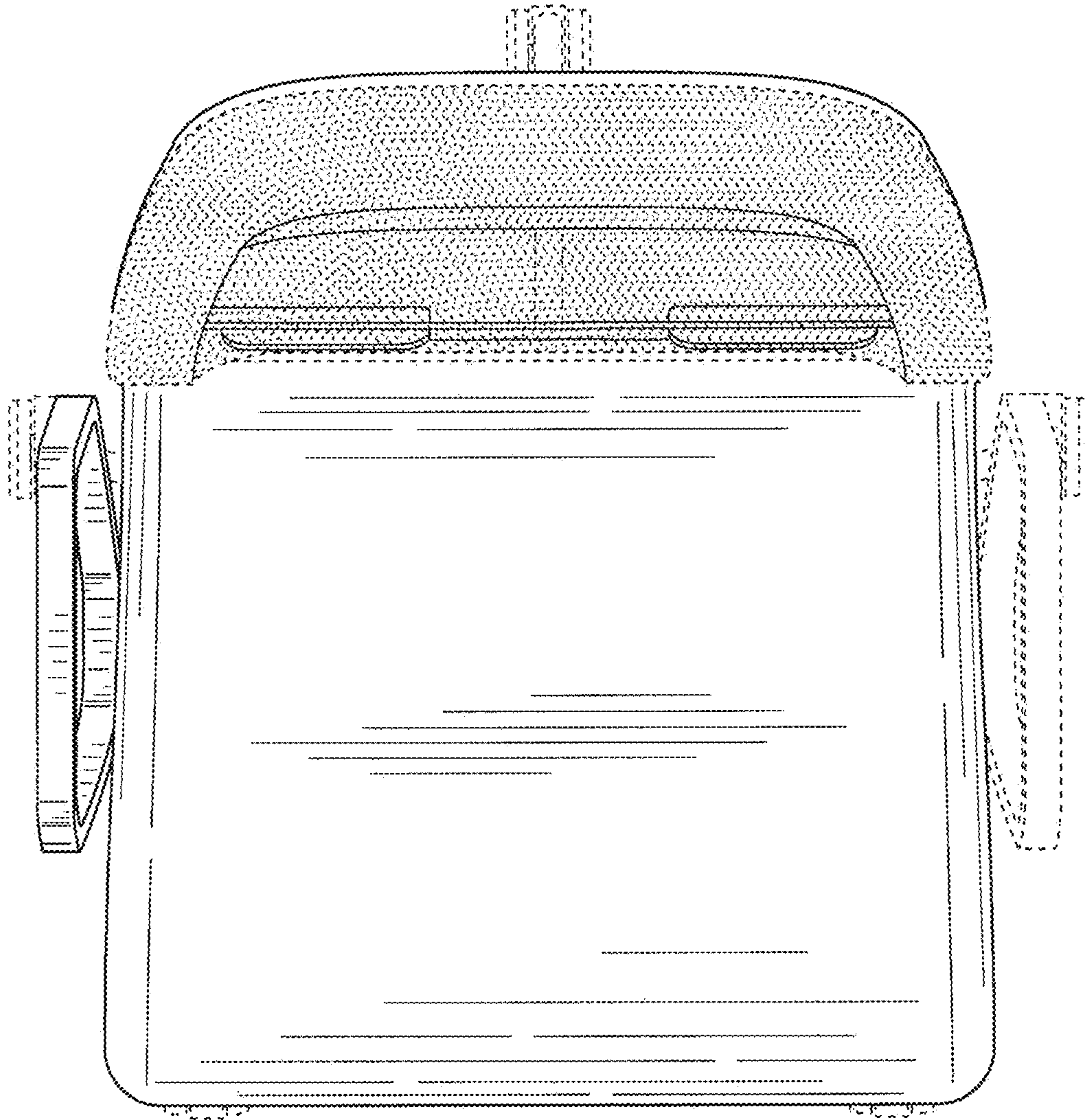


FIG. 6



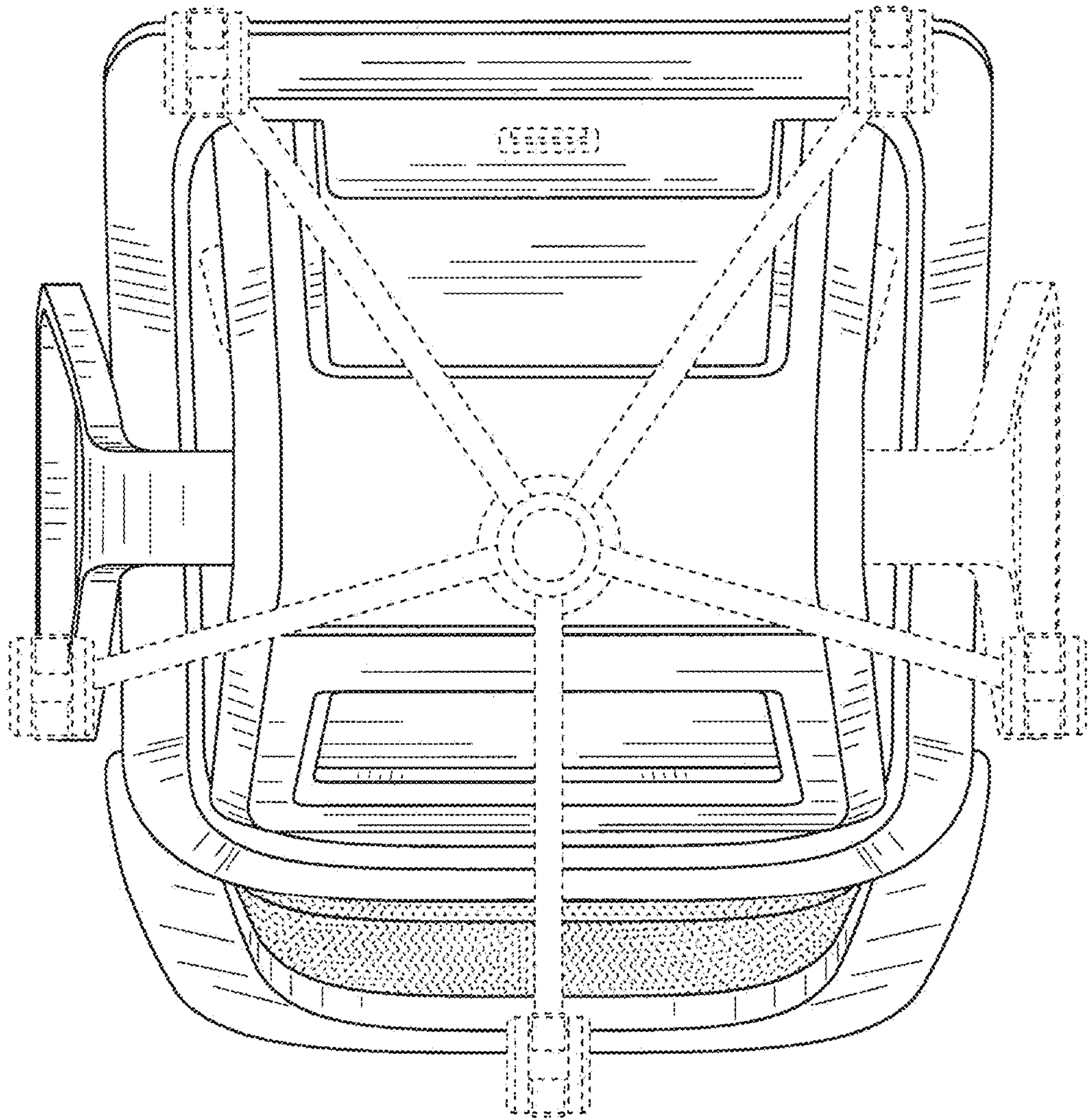


FIG. 7

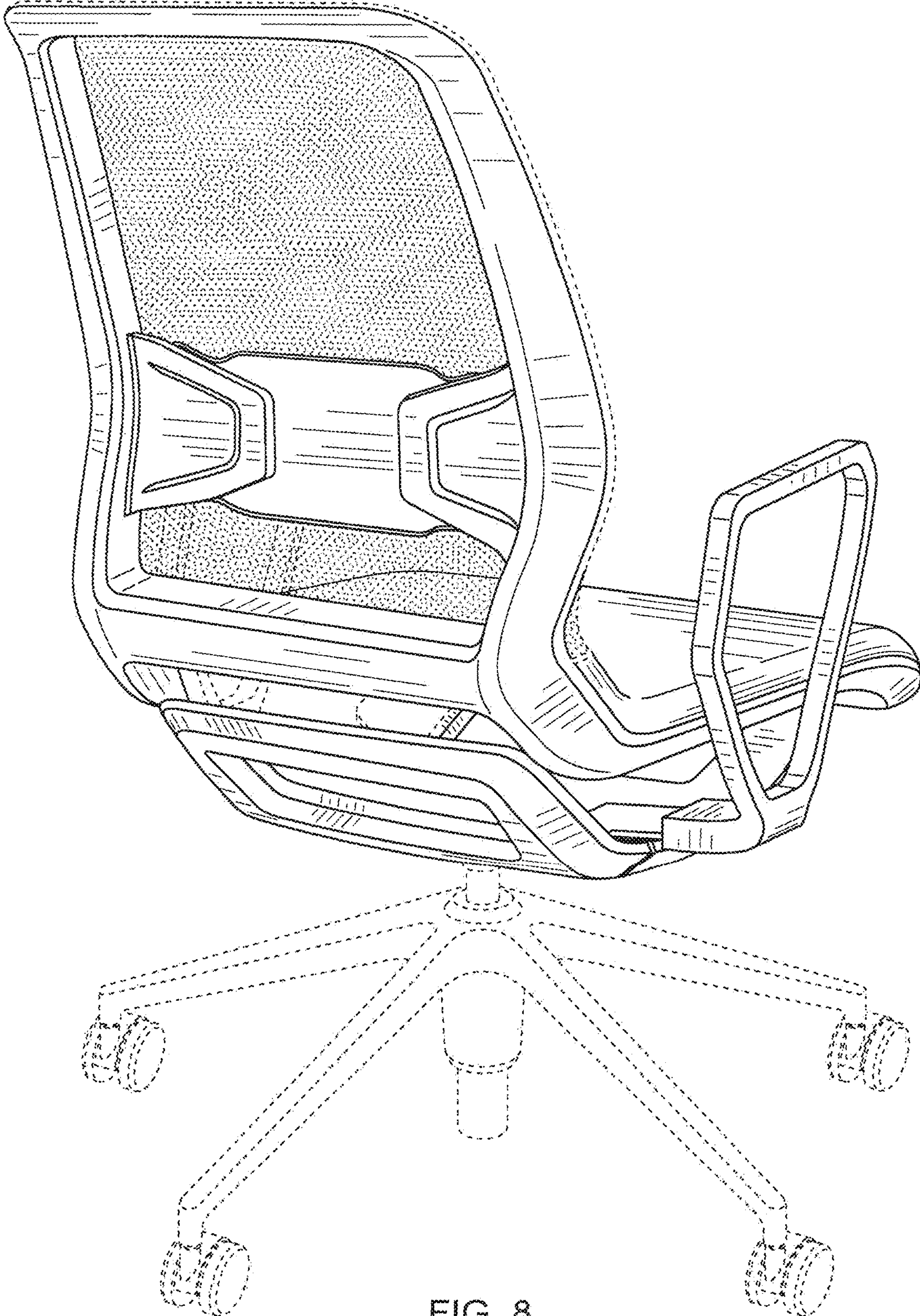


FIG. 8