



US00D925955S

(12) **United States Design Patent**  
**Greenwood**

(10) **Patent No.:** **US D925,955 S**

(45) **Date of Patent:** **\*\* Jul. 27, 2021**

- (54) **ADJUSTABLE SHELF**
- (71) Applicant: **YouCopia Products Inc.**, Chicago, IL (US)
- (72) Inventor: **Mark Greenwood**, Arlington Heights, IL (US)
- (73) Assignee: **YouCopia Products, Inc.**, Chicago, IL (US)
- (\*\*) Term: **15 Years**
- (21) Appl. No.: **29/726,225**
- (22) Filed: **Mar. 2, 2020**
- (51) **LOC (13) Cl.** ..... **06-06**
- (52) **U.S. Cl.**  
USPC ..... **D6/705**
- (58) **Field of Classification Search**  
USPC ..... D8/380-381; D6/672, 675, 675.2, 678.1, D6/678.4, 680.2, 681, 681.1, 681.3, D6/682.5, 682.6, 705  
CPC ..... A47F 7/00; A47F 5/0043; A47B 57/58; A47B 45/00; A47B 96/00; A47B 96/02; A47B 96/025  
See application file for complete search history.

D621,193 S *	8/2010	Bauchet	.....	D6/574
D707,067 S *	6/2014	Basarich	.....	D6/705
D775,883 S *	1/2017	Mason	.....	D6/705
D802,970 S *	11/2017	Henonin	.....	D6/675
D840,182 S *	2/2019	Warden	.....	D6/705
D845,687 S *	4/2019	Golias	.....	D6/705
D874,198 S *	2/2020	Dunahay	.....	D6/705
D875,448 S *	2/2020	Reinhart	.....	D6/705.7
2002/0043191 A1 *	4/2002	Sagol	.....	A47B 96/025 108/193
2006/0145577 A1 *	7/2006	Daley	.....	A47B 96/021 312/408

(Continued)

Primary Examiner — Kelley A Donnelly

(74) *Attorney, Agent, or Firm* — Lowe Graham Jones PLLC

(57) **CLAIM**

I claim the ornamental design for an adjustable shelf, as shown and described.

**DESCRIPTION**

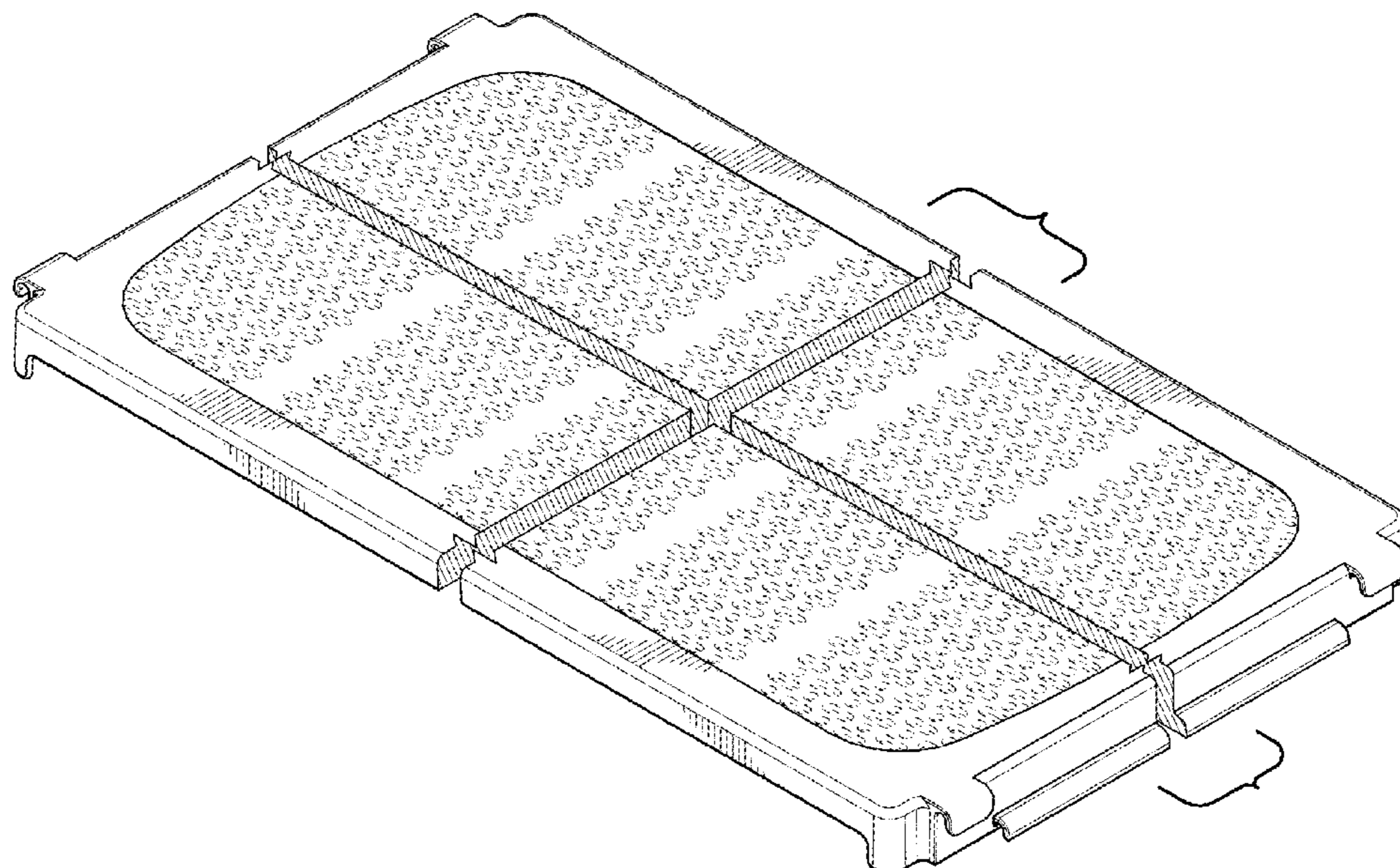
FIG. 1 is a top perspective view of an adjustable shelf, showing my new design.  
 FIG. 2 is a front elevational view of the adjustable shelf.  
 FIG. 3 is a rear elevational view of the adjustable shelf.  
 FIG. 4 is a left side elevational view of the adjustable shelf.  
 FIG. 5 is a right side elevational view of the adjustable shelf.  
 FIG. 6 is a top plan view of the adjustable shelf.  
 FIG. 7 is a bottom plan view of the adjustable shelf; and,  
 FIG. 8 is a top perspective view of the adjustable shelf.  
 The broken lines depict portions of the article that form no part of the claimed design. The broken lines in FIG. 8 show environment of a leg structure forming no part of the claimed design. The adjustable shelf is shown with a symbolic break in its length and width. The appearance of any portion of the article between the break lines forms no part of the claimed design.

**1 Claim, 5 Drawing Sheets**

(56) **References Cited**

U.S. PATENT DOCUMENTS

3,927,769 A *	12/1975	Maslow	.....	F26B 25/18 211/153
D241,297 S *	9/1976	Maslow	.....	D6/705.7
D312,545 S *	12/1990	Cohn	.....	D30/120
D383,339 S *	9/1997	Grosfillex	.....	D6/705.7
D385,444 S *	10/1997	Welch	.....	D6/705.7
5,706,737 A *	1/1998	Whitehead	.....	A47B 96/02 108/152
D414,966 S *	10/1999	Patel	.....	D6/574
D519,121 S *	4/2006	Zamanian	.....	D14/447



(56)

**References Cited**

U.S. PATENT DOCUMENTS

2007/0241072 A1\* 10/2007 Bryant ..... A47B 96/061  
211/90.02  
2008/0308515 A1\* 12/2008 Lange ..... A47B 45/00  
211/134

\* cited by examiner

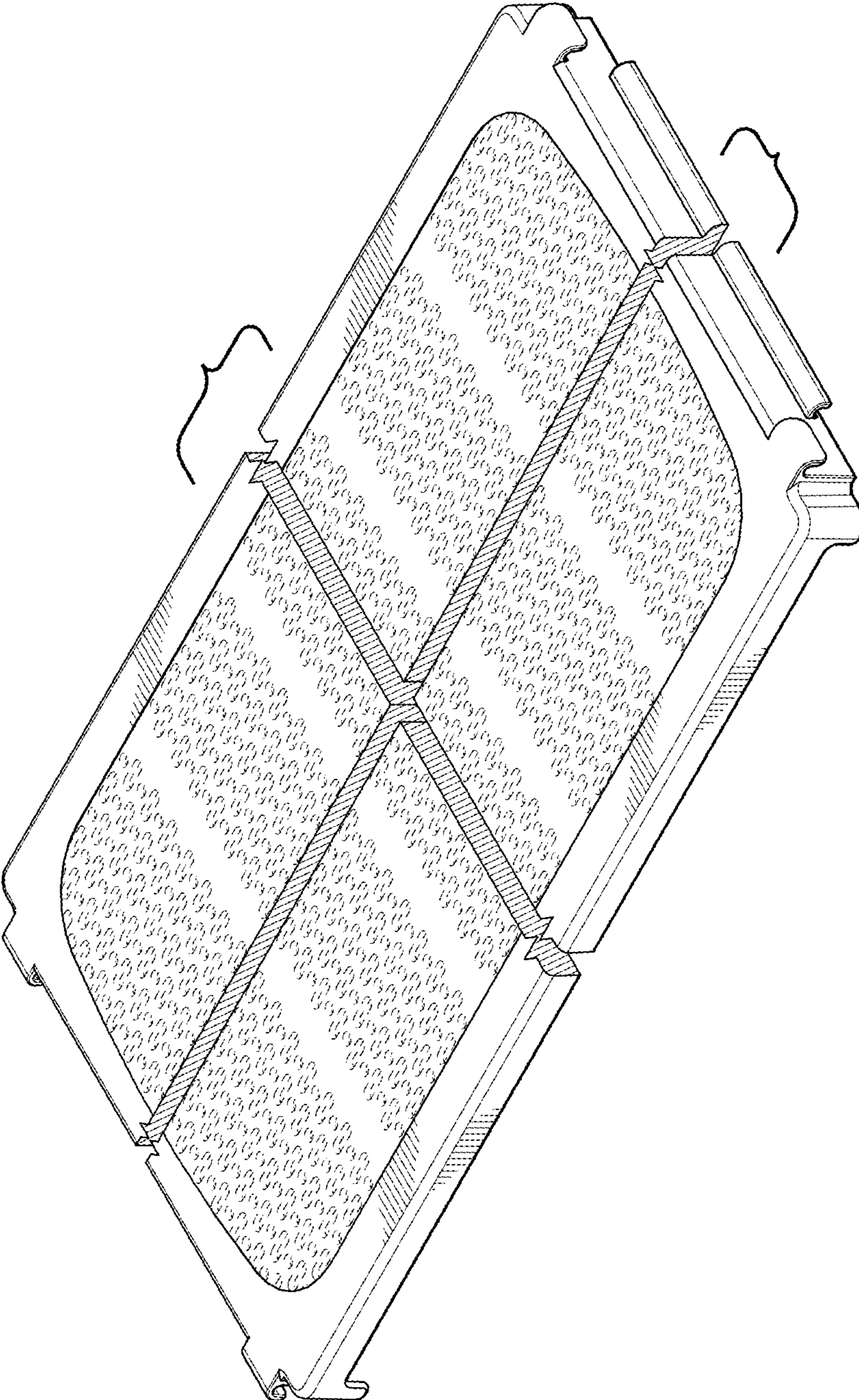


FIG.1

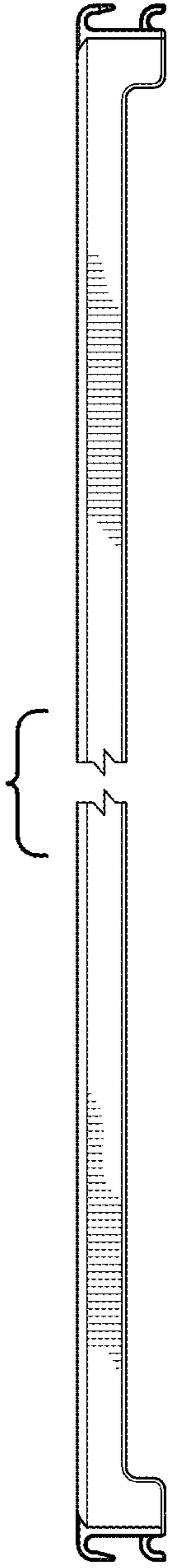


FIG. 2

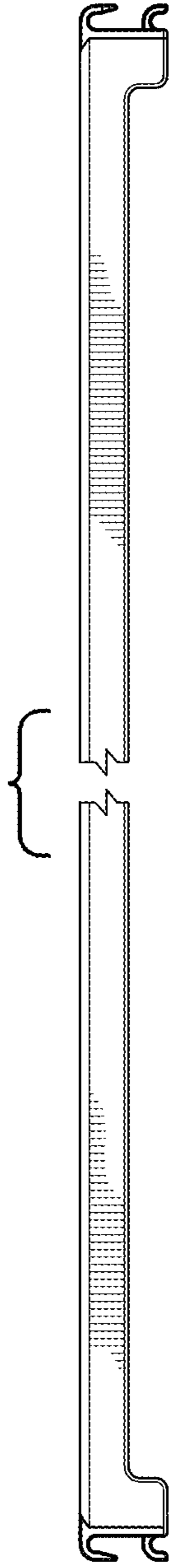


FIG. 3



FIG. 4

FIG. 5

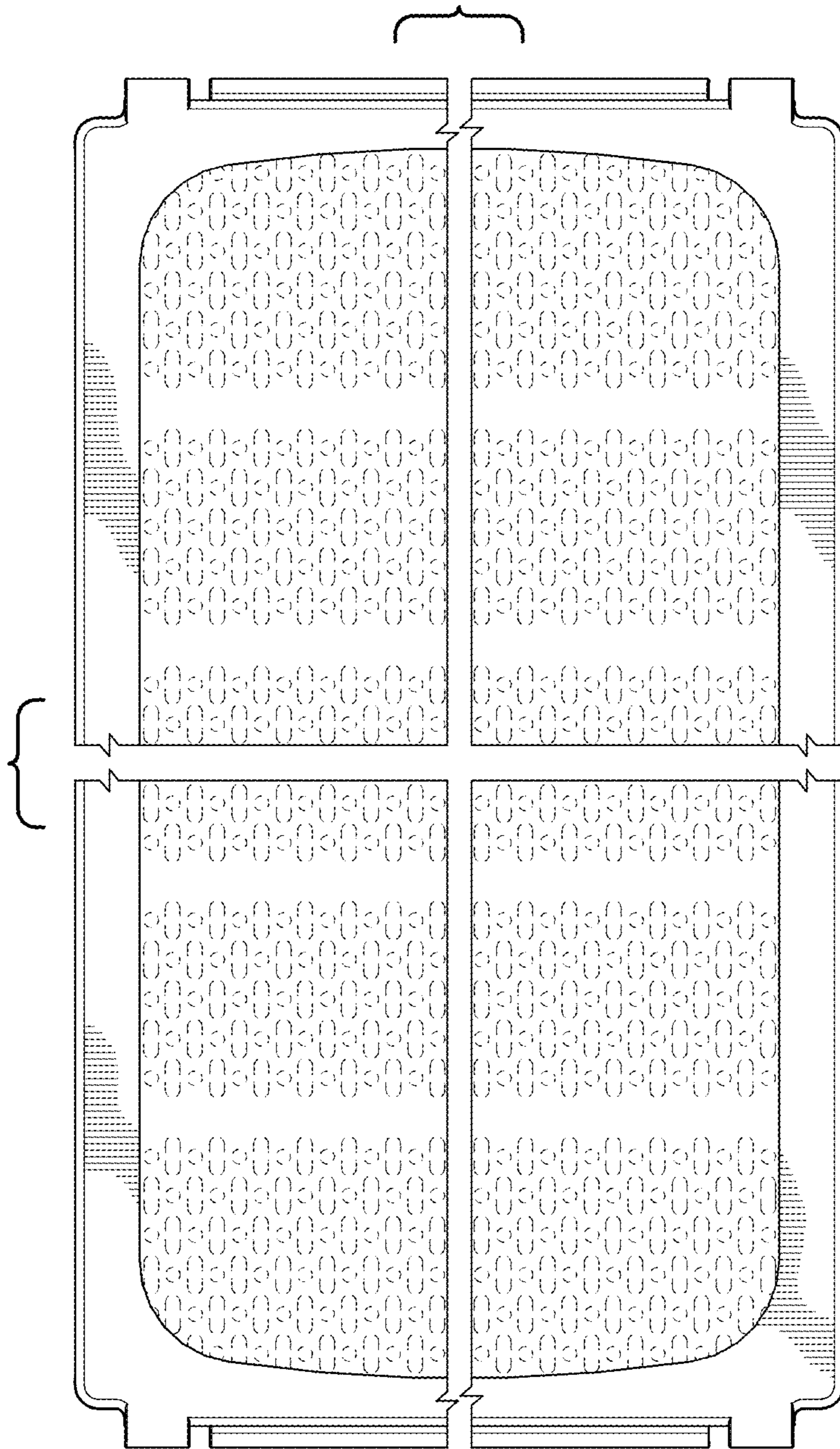


FIG. 6

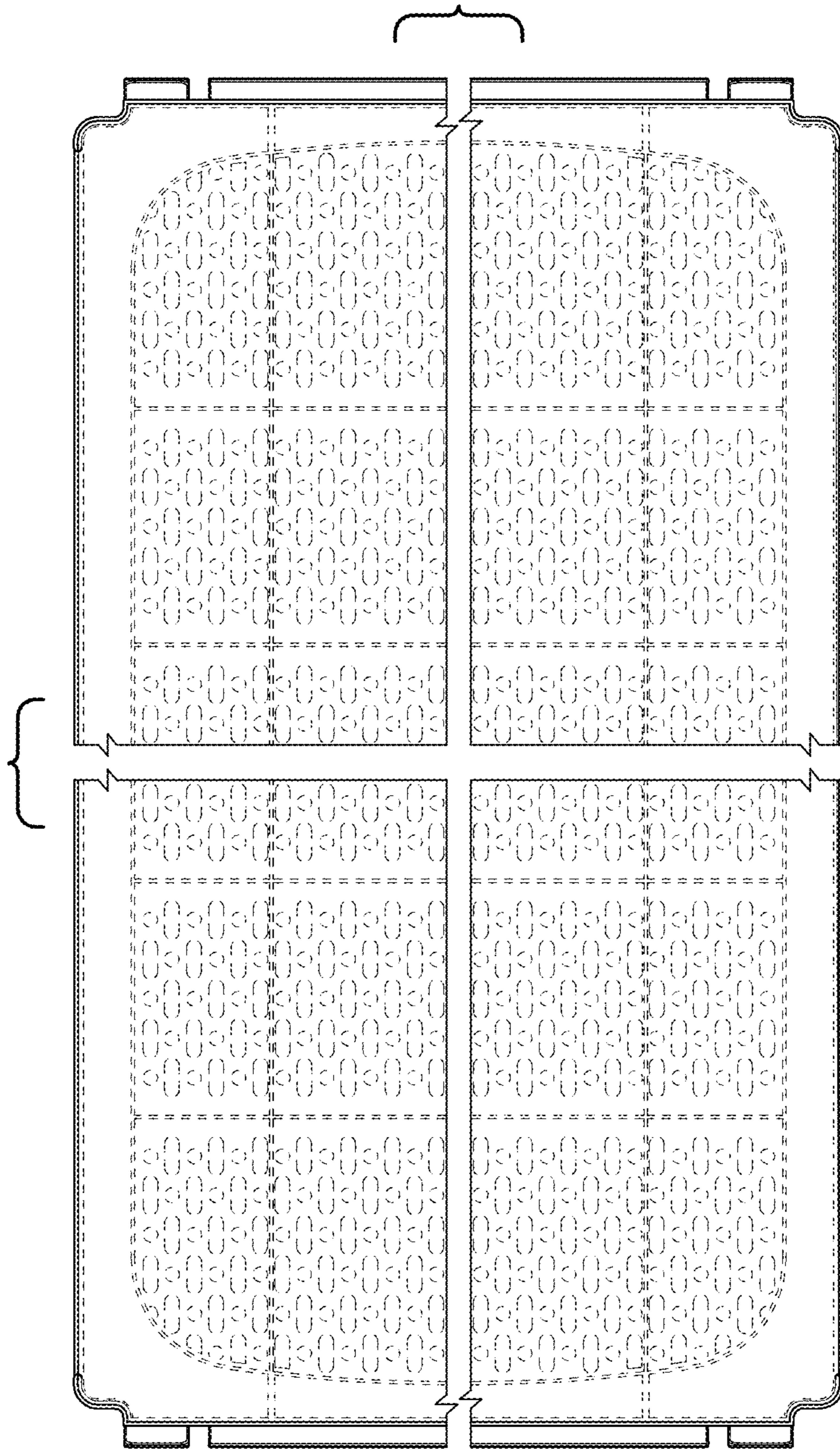


FIG. 7

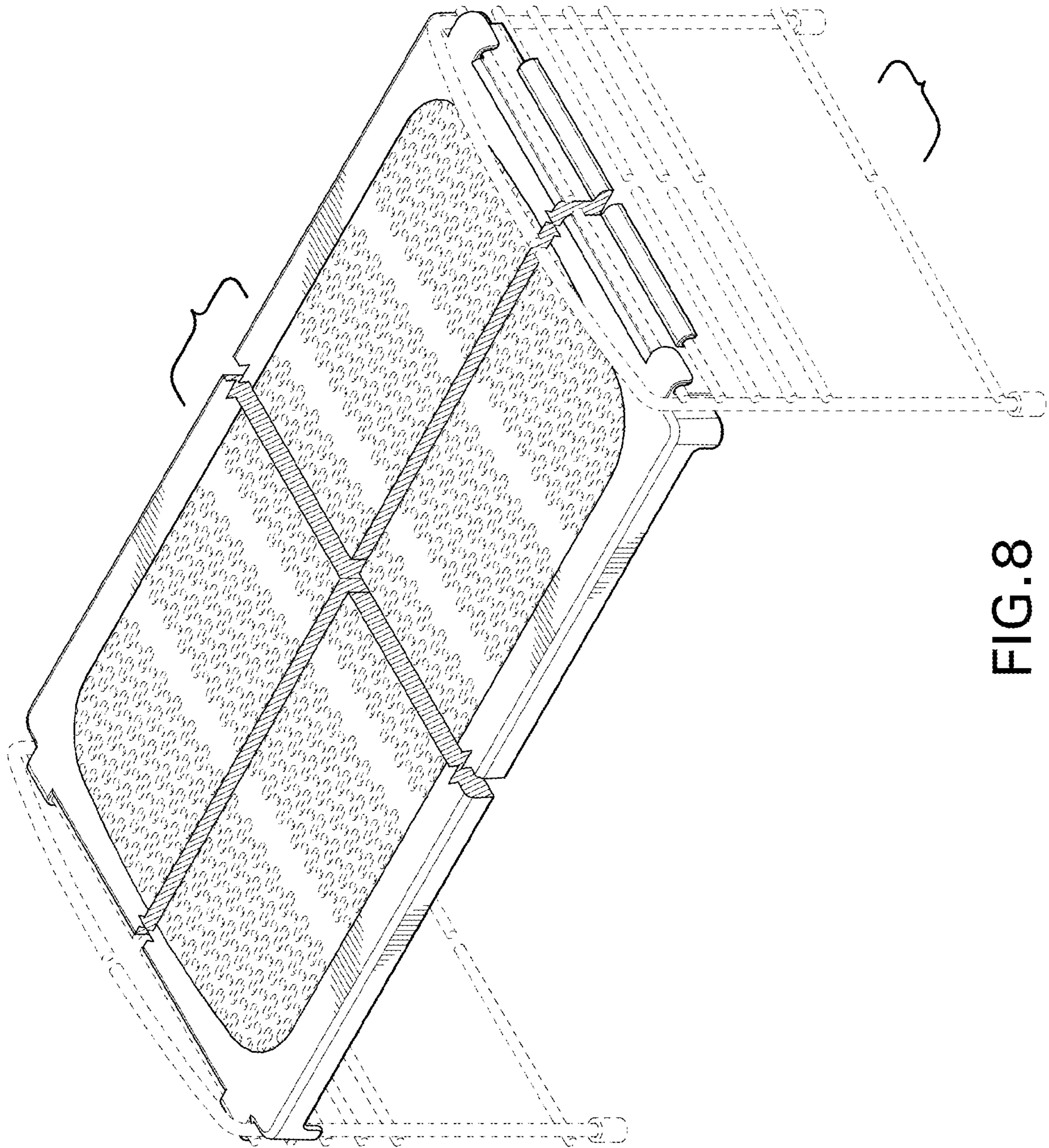


FIG. 8