



US00D925952S

(12) **United States Design Patent**  
**Chen**

(10) **Patent No.:** **US D925,952 S**

(45) **Date of Patent:** **\*\* Jul. 27, 2021**

(54) **CHILD CLEANING STORAGE RACK**  
(71) Applicant: **Xunrong Chen**, Guangdong (CN)  
(72) Inventor: **Xunrong Chen**, Guangdong (CN)  
(\*\*) Term: **15 Years**

5,330,065 A \* 7/1994 Bradley ..... B01D 41/04  
108/139  
D406,960 S \* 3/1999 Zaid ..... D6/681.3  
D407,918 S \* 4/1999 Hansen ..... D6/674  
D413,456 S \* 9/1999 Huang ..... D6/674.1  
D428,278 S \* 7/2000 Yang ..... D6/674  
D454,012 S \* 3/2002 Chen ..... D6/682.4

(Continued)

(21) Appl. No.: **29/706,587**  
(22) Filed: **Sep. 20, 2019**  
(51) **LOC (13) Cl.** ..... **06-04**  
(52) **U.S. Cl.**  
USPC ..... **D6/674.1**  
(58) **Field of Classification Search**  
USPC ..... D6/672, 673, 674, 674.1, 676.5, 678.4,  
D6/681, 681.1, 681.2, 681.3, 682.4,  
D6/682.5, 554; D21/483, 526, 532  
CPC ..... A47F 7/00; A47F 7/0021; A47F 7/0028;  
A63H 33/00; A63H 33/30; A63H 33/305;  
A99Z 99/00

See application file for complete search history.

(56) **References Cited**

**U.S. PATENT DOCUMENTS**

D74,843 S \* 4/1928 Sobel et al. .... D6/674.1  
2,423,292 A \* 7/1947 Brown ..... A47F 7/0028  
211/65  
D193,433 S \* 8/1962 Goldman et al. .... D6/674.1  
3,685,661 A \* 8/1972 Kimmel ..... A47B 81/005  
211/64  
D237,915 S \* 12/1975 Molenaar et al. .... D6/678.4  
D241,790 S \* 10/1976 Longen et al. .... D6/681.1  
D263,653 S \* 4/1982 Viets ..... D10/71  
D267,445 S \* 1/1983 Watson ..... D6/681.1  
D290,196 S \* 6/1987 Miller ..... D6/674  
D302,081 S \* 7/1989 Elliott ..... D6/673  
D302,082 S \* 7/1989 Elliott ..... D6/673  
D322,524 S \* 12/1991 Allen ..... D6/681.3  
5,074,421 A \* 12/1991 Coulter ..... A47F 5/02  
211/78  
D326,374 S \* 5/1992 Townsend ..... 211/205  
D332,311 S \* 1/1993 Redding ..... D24/128

**OTHER PUBLICATIONS**

PEFECEVE 7 Pcs Kids Cleaning Set, amazon.com, <https://www.amazon.com/PEFECEVE-Dinosaurs-Housekeeping-Detachable-Preschoolers/dp/B08BCLD4GZ> (Year: 2020).\*

(Continued)

*Primary Examiner* — Steven J Cxyz

(57) **CLAIM**

The ornamental design for a child cleaning storage rack, as shown and described.

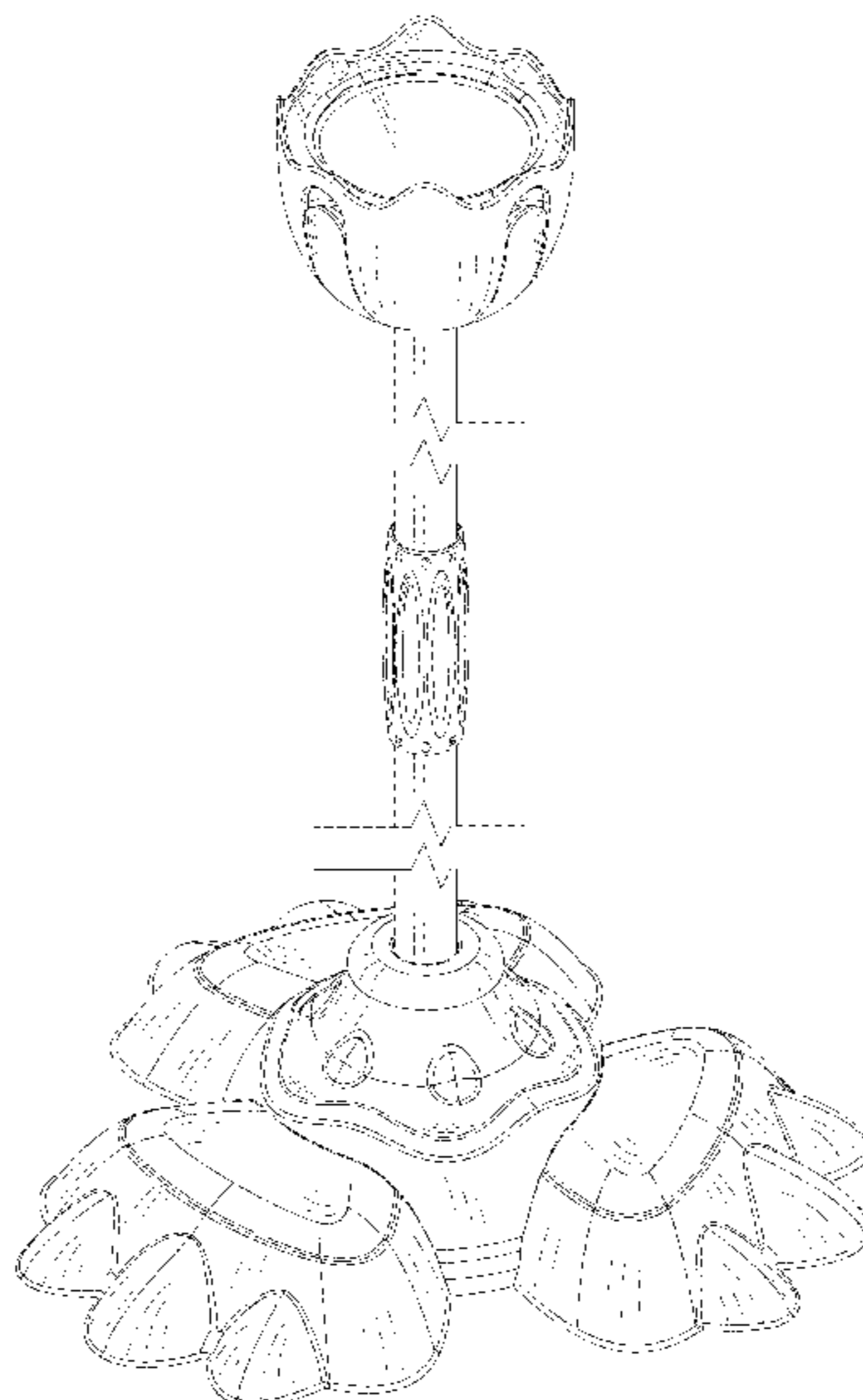
**DESCRIPTION**

FIG. 1 is a perspective view of a child cleaning storage rack showing my new design;  
FIG. 2 is a front elevational view thereof;  
FIG. 3 is a rear elevational view thereof;  
FIG. 4 is a left side elevational view thereof;  
FIG. 5 is a right side elevational view thereof;  
FIG. 6 is a top plan view thereof;  
FIG. 7 is a bottom plan view thereof; and,  
FIG. 8 is a perspective view of the child cleaning storage rack shown with environment.

The child cleaning storage rack is shown with two symbolic breaks in its length. The appearance of any portion of the article between the break lines forms no part of the claimed design.

The broken lines depict portions of the article and environment that form no part of the claimed design.

**1 Claim, 8 Drawing Sheets**



(56)

References Cited

U.S. PATENT DOCUMENTS

D476,531 S \* 7/2003 Rangel ..... D6/681.2  
 6,691,897 B2 \* 2/2004 Ashe ..... A61L 2/18  
 221/199  
 D534,012 S \* 12/2006 Lee, Sr. .... D6/681.1  
 D574,165 S \* 8/2008 Kornowski ..... D6/681.3  
 D585,661 S \* 2/2009 Betts ..... D6/681.3  
 D595,976 S \* 7/2009 Gonzalez Arellano ..... D6/681  
 D621,179 S \* 8/2010 Biraghi ..... D6/674  
 D624,331 S \* 9/2010 Kosten ..... D6/674  
 D625,528 S \* 10/2010 Sprague ..... D6/681  
 7,837,060 B2 \* 11/2010 Mullett ..... A47K 10/32  
 221/132  
 D639,087 S \* 6/2011 Wisniewski ..... D6/681.3  
 D649,714 S \* 11/2011 Key ..... D28/93  
 8,793,834 B2 \* 8/2014 Lee ..... A47L 13/58  
 15/260  
 D734,967 S \* 7/2015 Lundy ..... D6/681

9,345,354 B2 \* 5/2016 Nicolopulos ..... A47F 5/05  
 D761,601 S \* 7/2016 Simmons ..... D6/681  
 D778,501 S \* 2/2017 Tokko ..... D28/73  
 D833,185 S \* 11/2018 Zhou ..... D6/681.3  
 D840,727 S \* 2/2019 Ruiz ..... D6/674.1  
 D854,863 S \* 7/2019 Majer ..... D6/681.1  
 D902,322 S \* 11/2020 Park ..... D21/493

OTHER PUBLICATIONS

Exercise N Play Kids Cleaning Set, [https://www.amazon.com/dp/B088PQ5GR9/ref=sspa\\_dk\\_detail\\_2?psc=1&spLa=ZW5jcmlwdGVkUXVhbGlnaWVyPUEyNDZUN1VDSXODIMJmVuY3J5cHRIZEIkPUEwNjEyNTg1MzBYRjFXUkg5R1VXMiZlbnNyeXB0ZWRBZEIkPUEwMDI0MTY4MUIUM09ORzk3N1hUQSZ3aWRnZXROYW1IPXNwX2RldGFpbD1mYWV0aW9uPWNsaWNrUmV](https://www.amazon.com/dp/B088PQ5GR9/ref=sspa_dk_detail_2?psc=1&spLa=ZW5jcmlwdGVkUXVhbGlnaWVyPUEyNDZUN1VDSXODIMJmVuY3J5cHRIZEIkPUEwNjEyNTg1MzBYRjFXUkg5R1VXMiZlbnNyeXB0ZWRBZEIkPUEwMDI0MTY4MUIUM09ORzk3N1hUQSZ3aWRnZXROYW1IPXNwX2RldGFpbD1mYWV0aW9uPWNsaWNrUmV) (Year: 2020).\*

\* cited by examiner

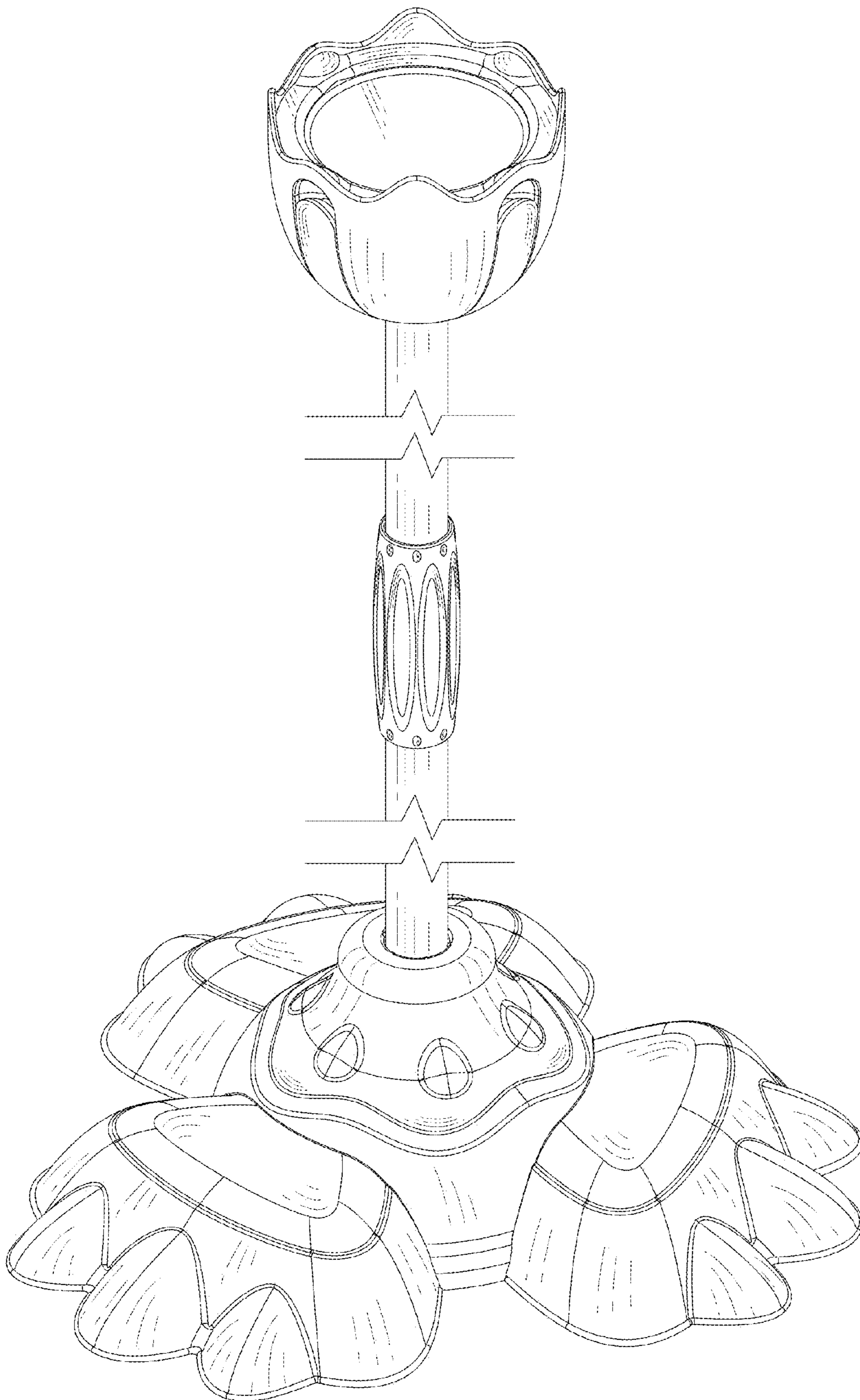


FIG. 1



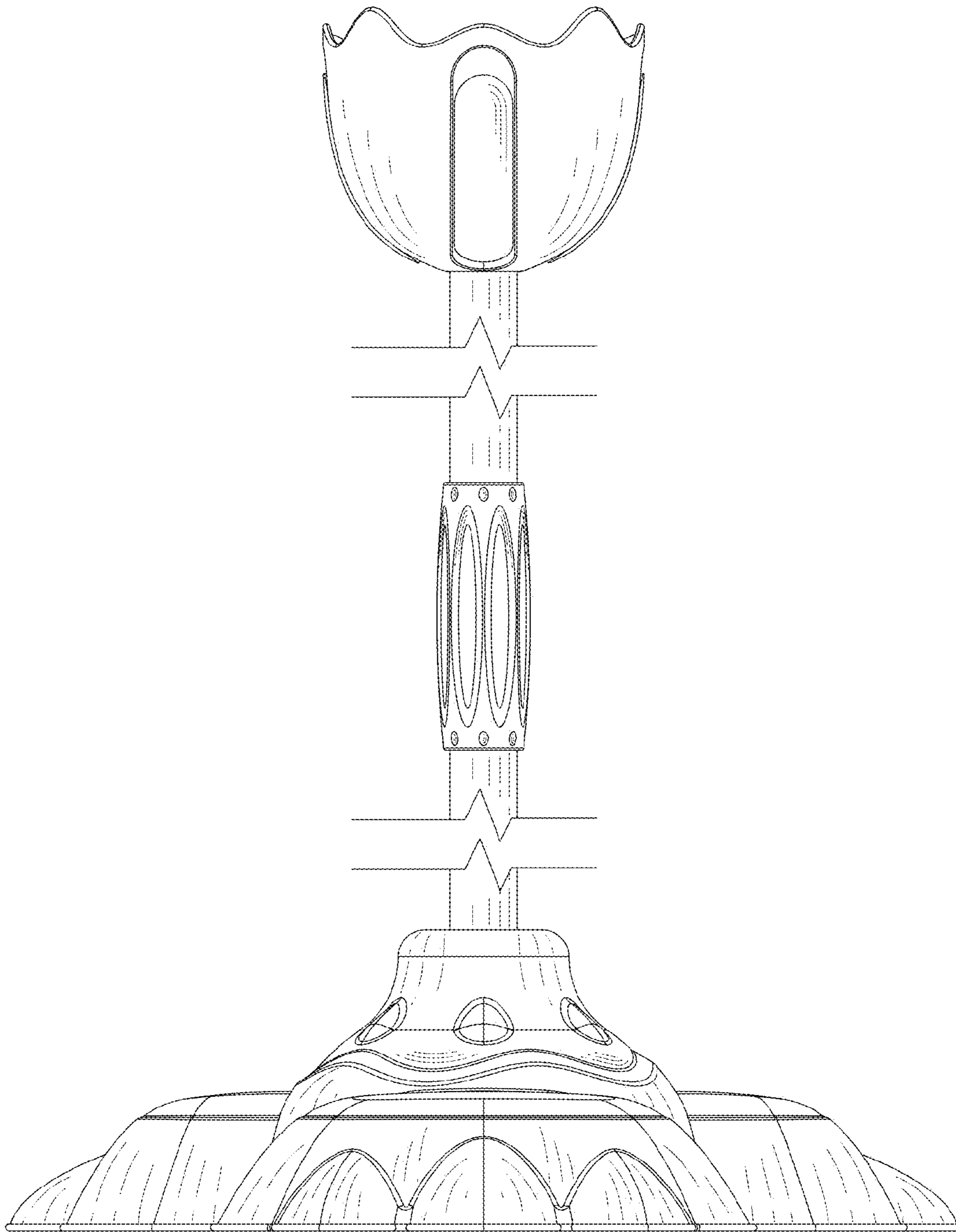


FIG. 2

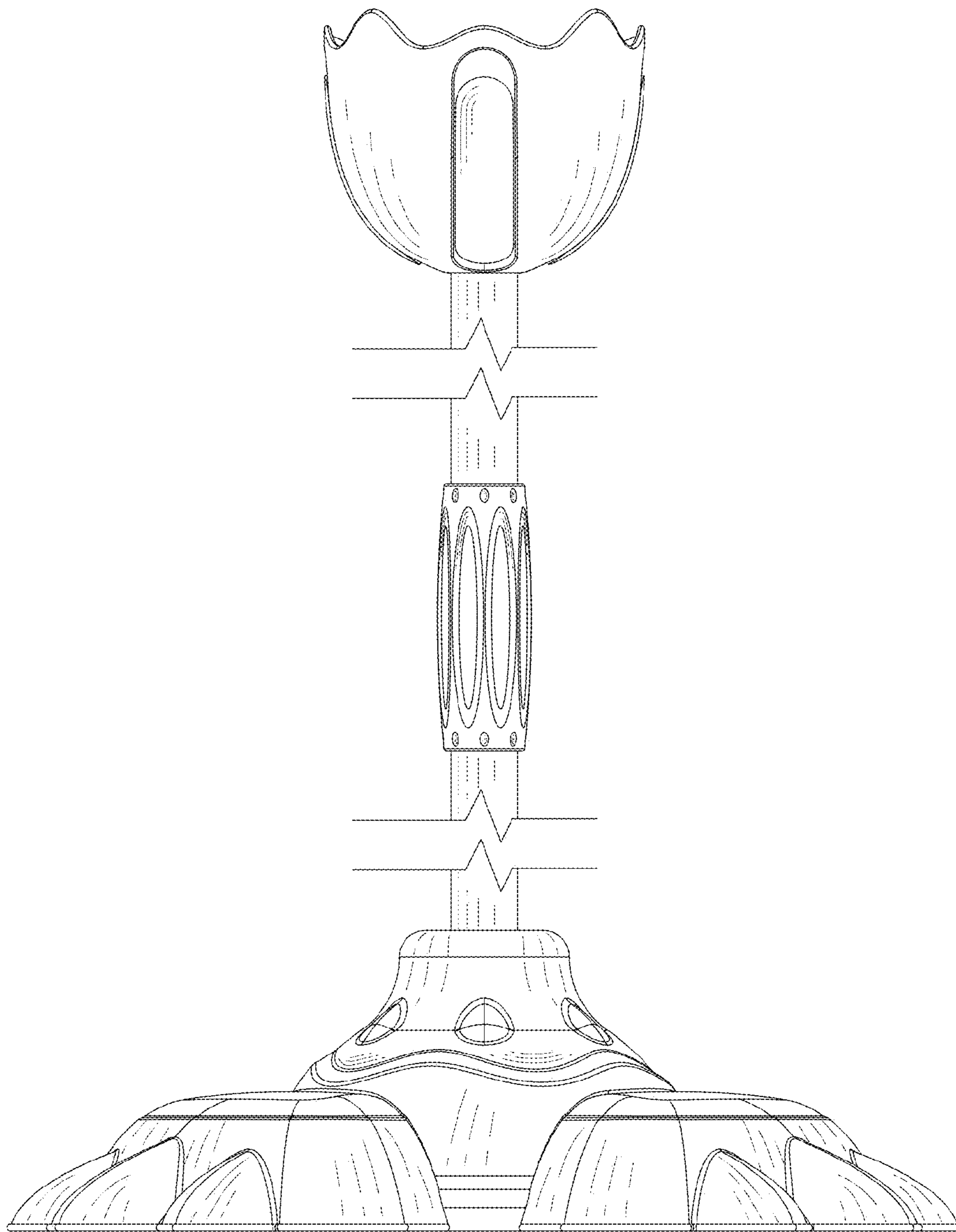


FIG.3

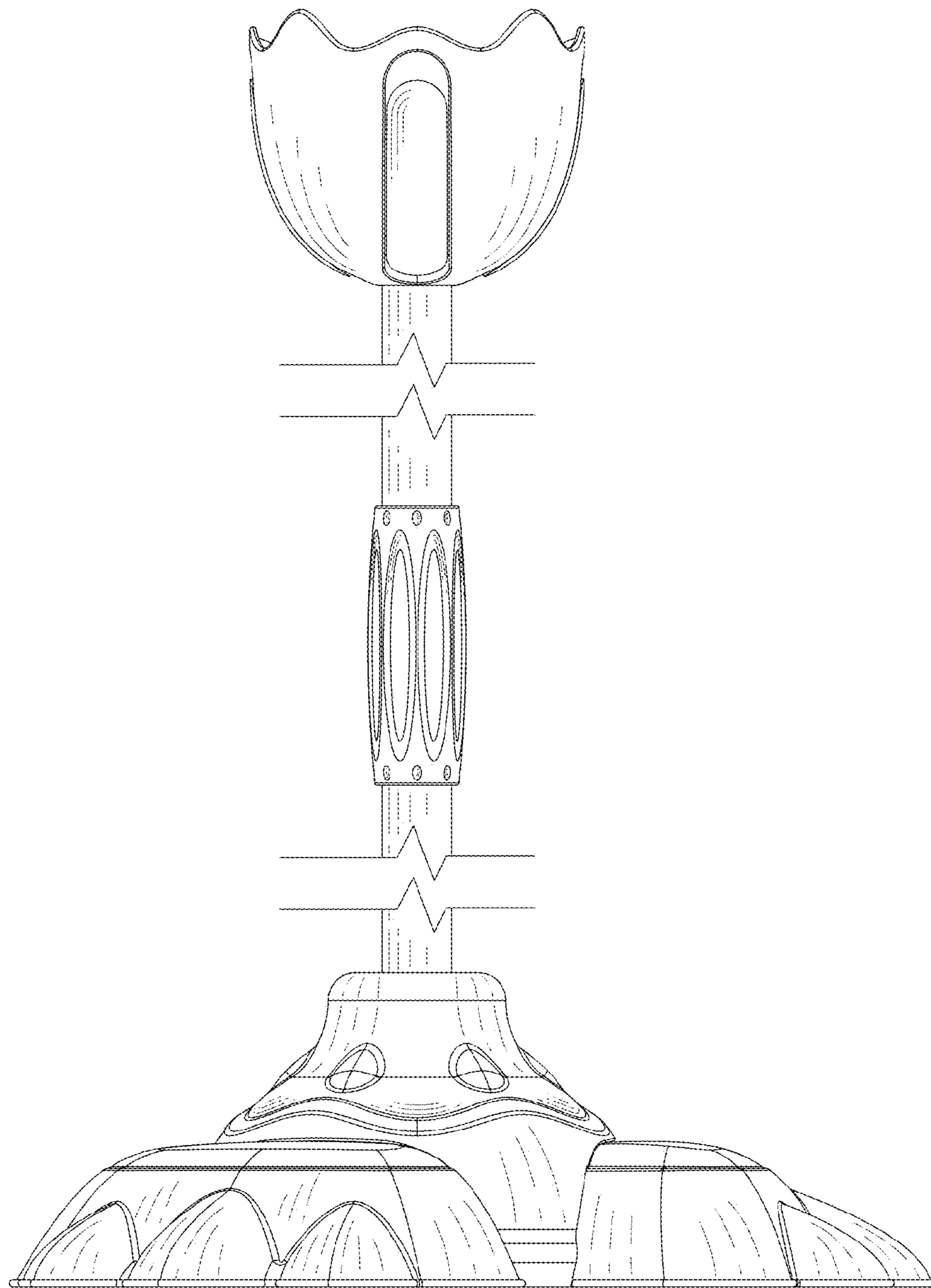


FIG.4

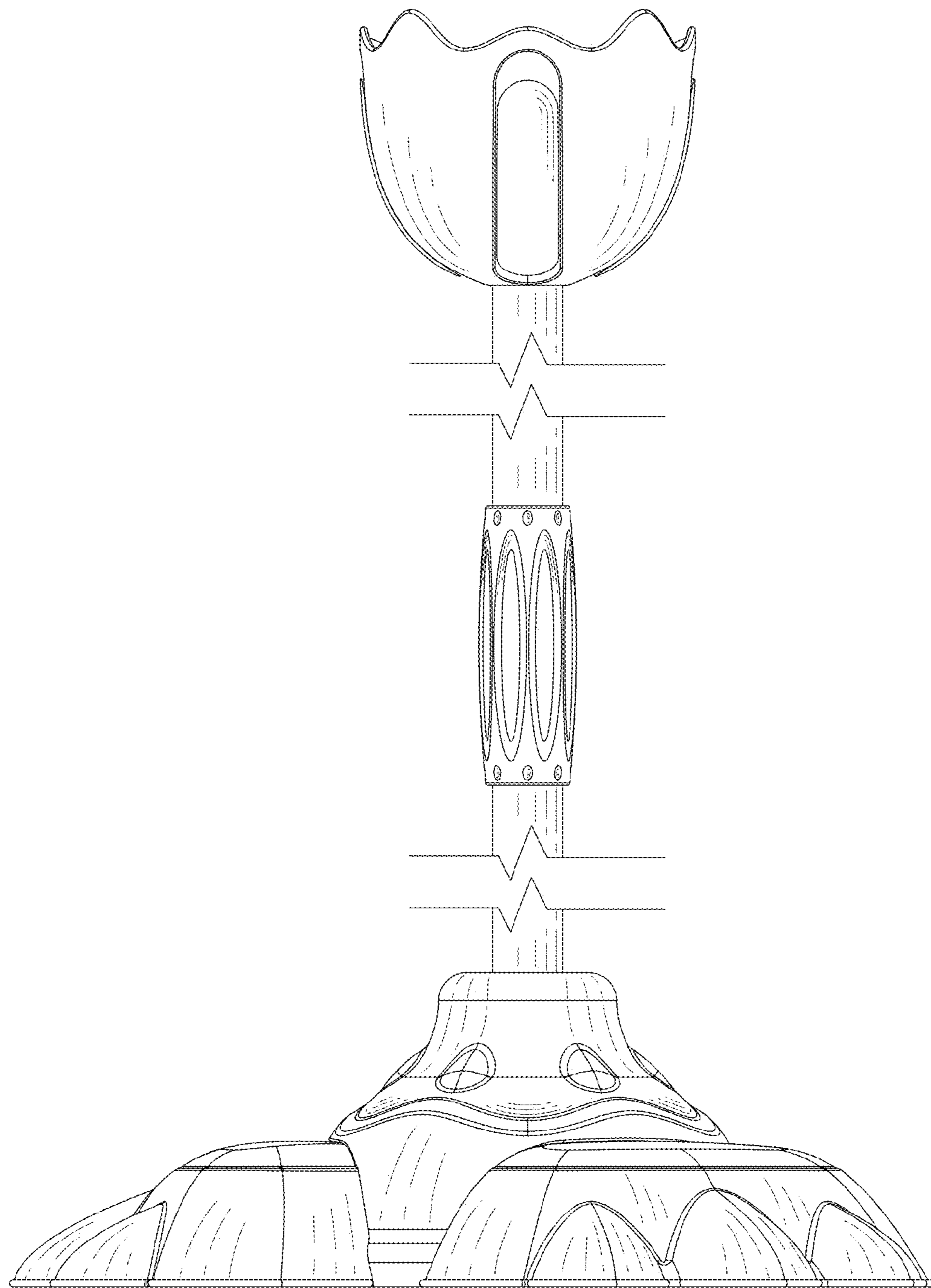


FIG.5

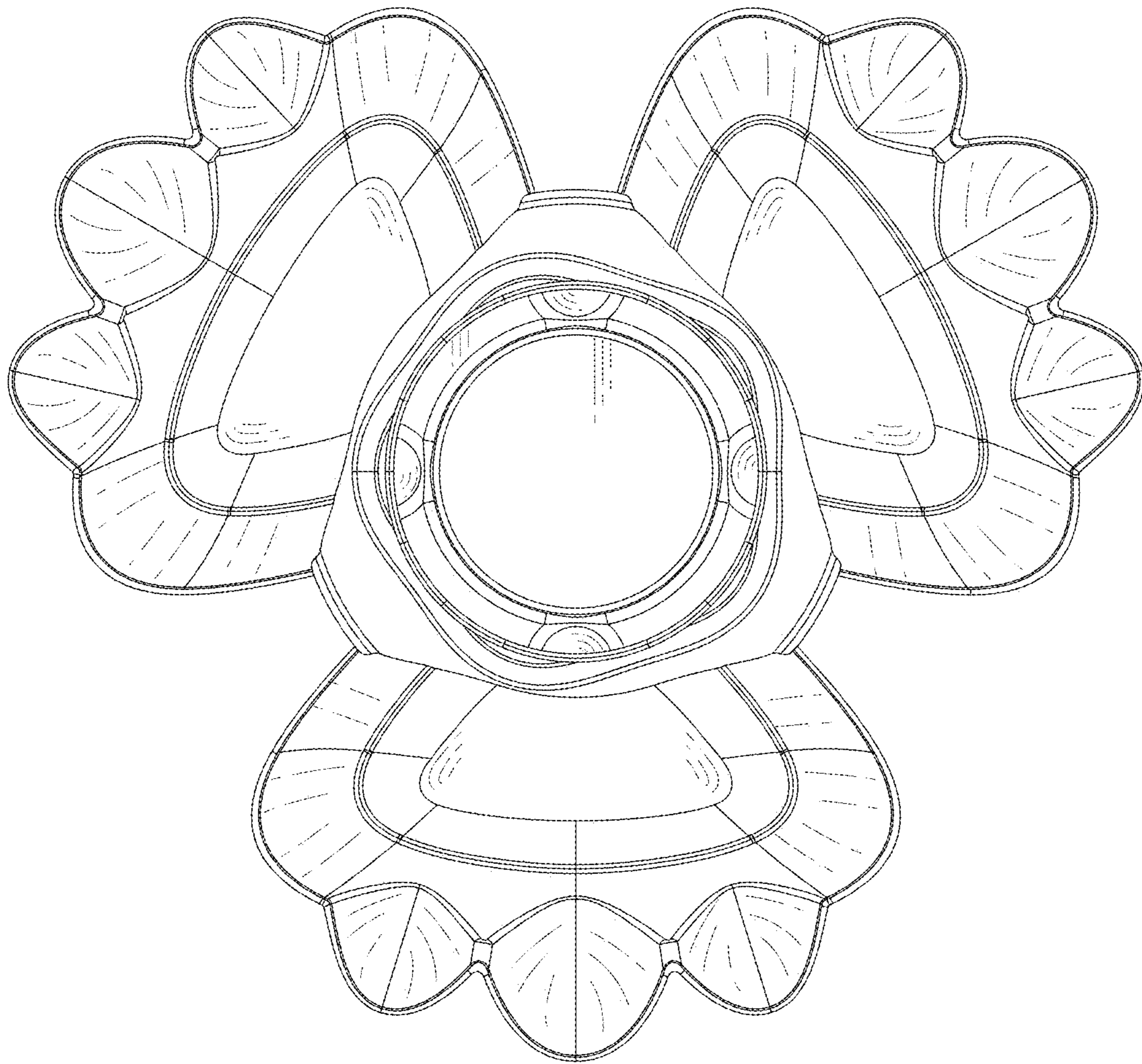


FIG.6



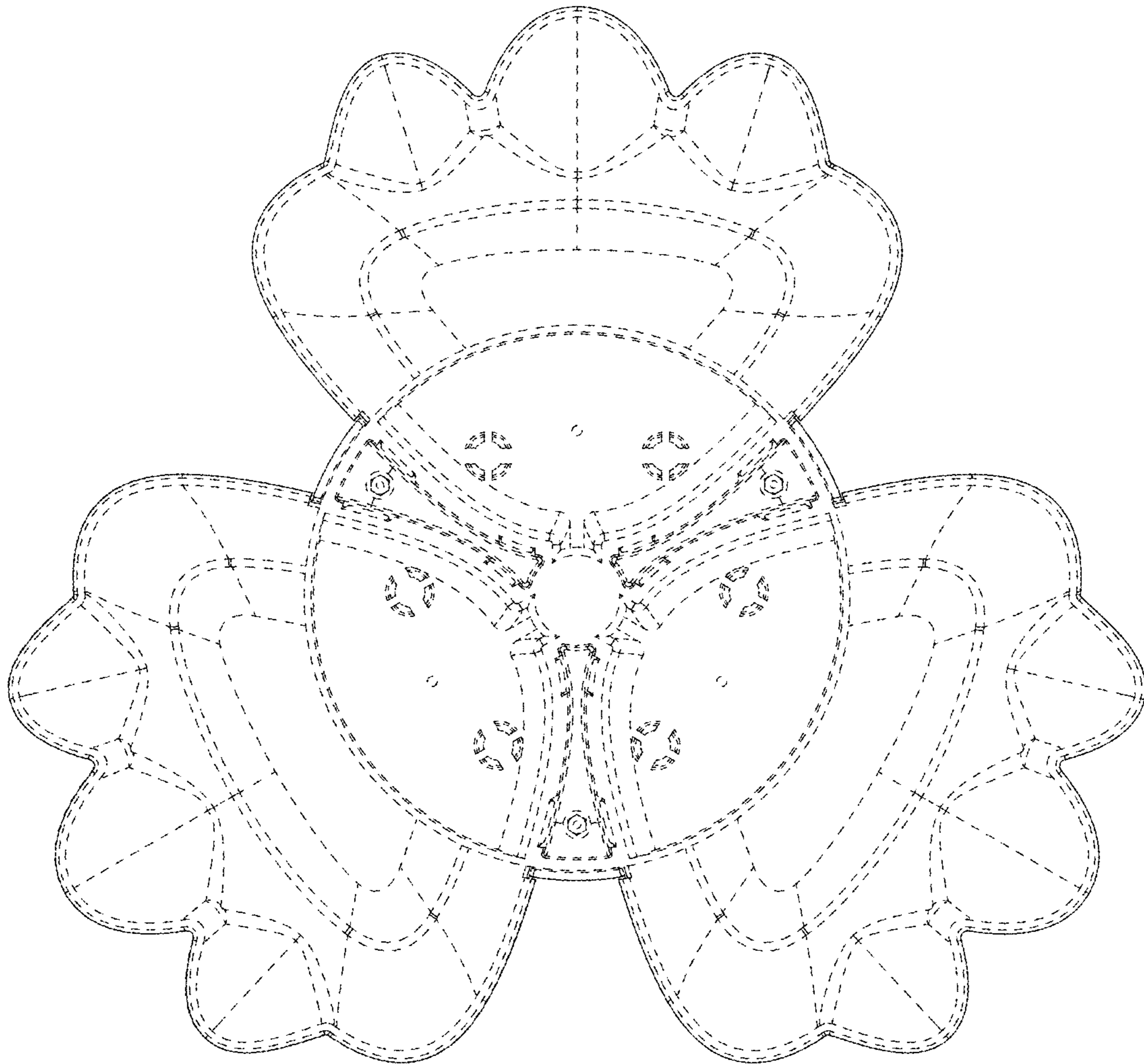


FIG.7

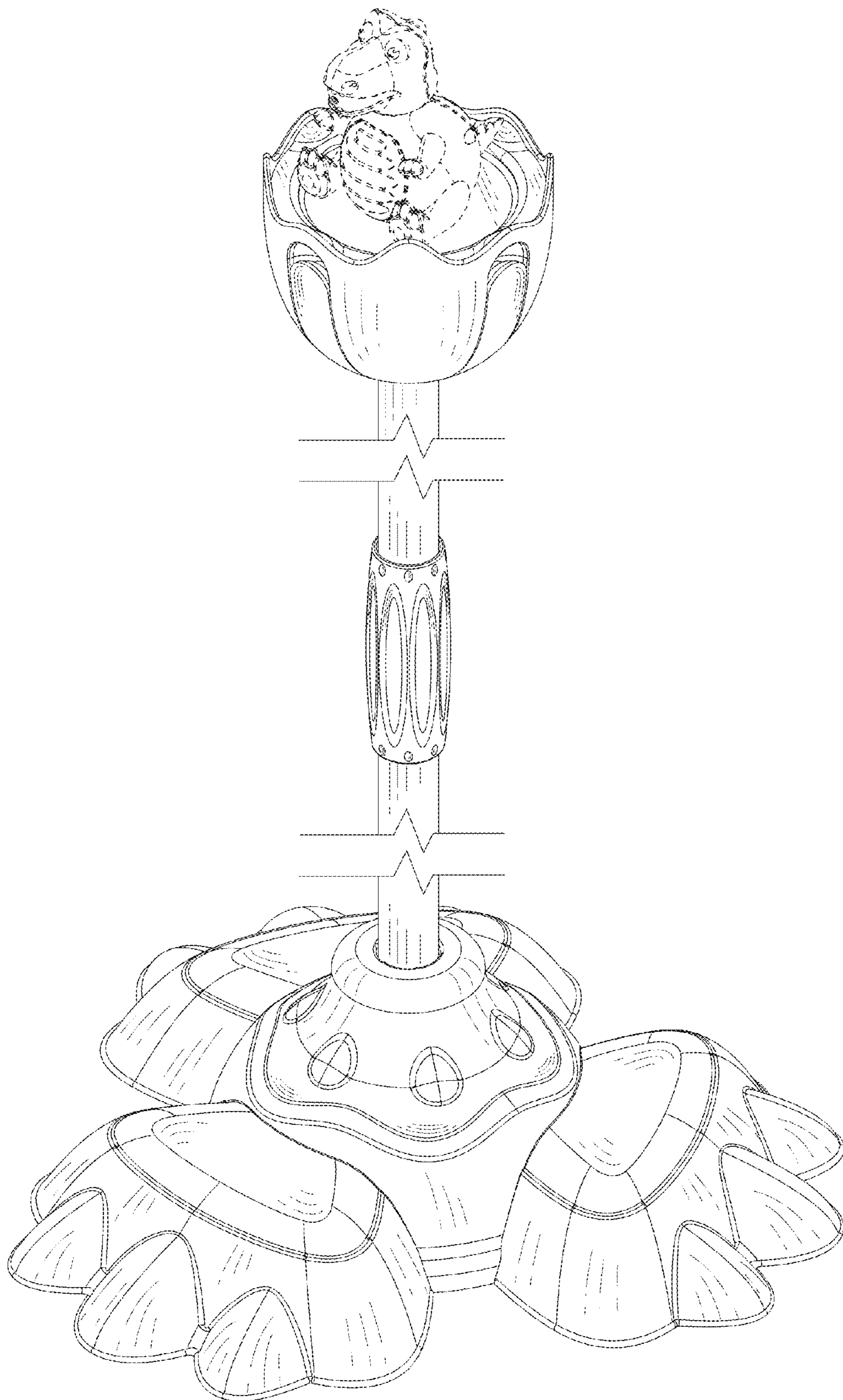


FIG. 8