



US00D925951S

(12) **United States Design Patent**  
**van Thiel et al.**

(10) **Patent No.:** **US D925,951 S**  
(45) **Date of Patent:** **\*\* Jul. 27, 2021**

(54) **SIDEBOARD**

(71) Applicant: **RH US, LLC**, Corte Madera, CA (US)

(72) Inventors: **Rudolph F. T. van Thiel**, Roanoke, VA (US); **Rudolf C. F. van Thiel**, Ho Chi Min (VN); **Frederik F. J. van Thiel**, Hong Kong (CN)

(73) Assignee: **RH US, LLC**, Corte Madera, CA (US)

(\*\*) Term: **15 Years**

(21) Appl. No.: **29/746,255**

(22) Filed: **Aug. 12, 2020**

(51) **LOC (13) Cl.** ..... **06-04**

(52) **U.S. Cl.**  
USPC ..... **D6/671.1**

(58) **Field of Classification Search**

USPC ..... D6/657, 660, 661, 663, 664, 664.1, D6/668.2, 671, 671.1, 671.2, 671.3, 671.4  
CPC ..... A47B 17/04; A47B 47/00; A47B 47/04; A47B 57/00; A47B 63/00; A47B 67/00; A47B 67/005; A47B 67/04; A47B 88/00; A47B 88/40; A47F 3/00; A47F 3/005  
See application file for complete search history.

(56) **References Cited**

**U.S. PATENT DOCUMENTS**

134,387 A 12/1872 Magee  
1,000,654 A 8/1911 Wilt

(Continued)

**OTHER PUBLICATIONS**

Unknown, 19th Century English Anglo Chinese Teak Campaign Style Desk / Chest / circa 1860-1880, downloaded from [https://www.1stdibs.com/furniture/storage-case-pieces/secretaires/19th-century-english-anglo-chinese-teak-campaign-style-desk-chest/id-f\\_1204396/](https://www.1stdibs.com/furniture/storage-case-pieces/secretaires/19th-century-english-anglo-chinese-teak-campaign-style-desk-chest/id-f_1204396/).

(Continued)

*Primary Examiner* — Mimoso De

(74) *Attorney, Agent, or Firm* — Lewis Roca Rothgerber Christie LLP

(57) **CLAIM**

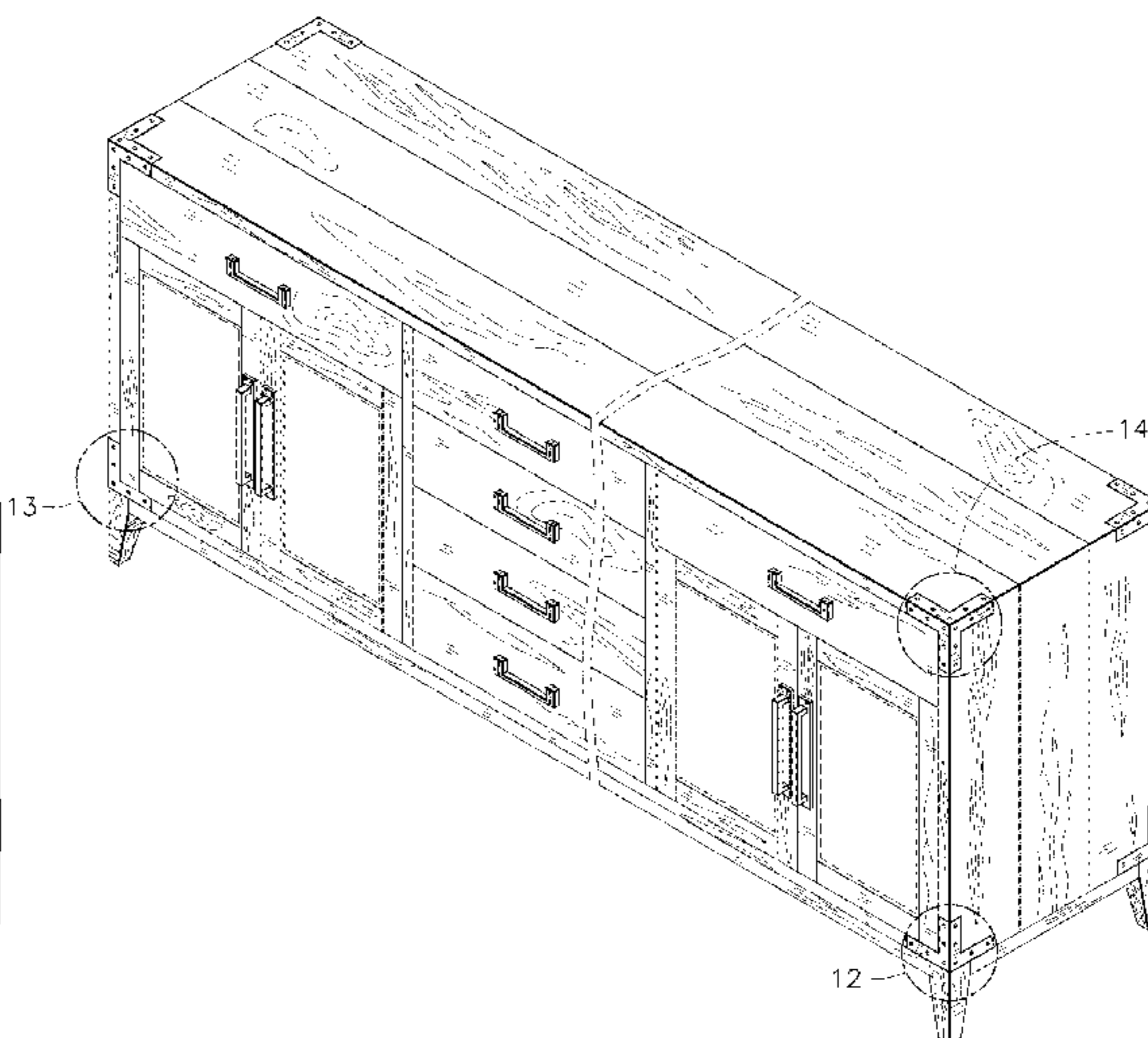
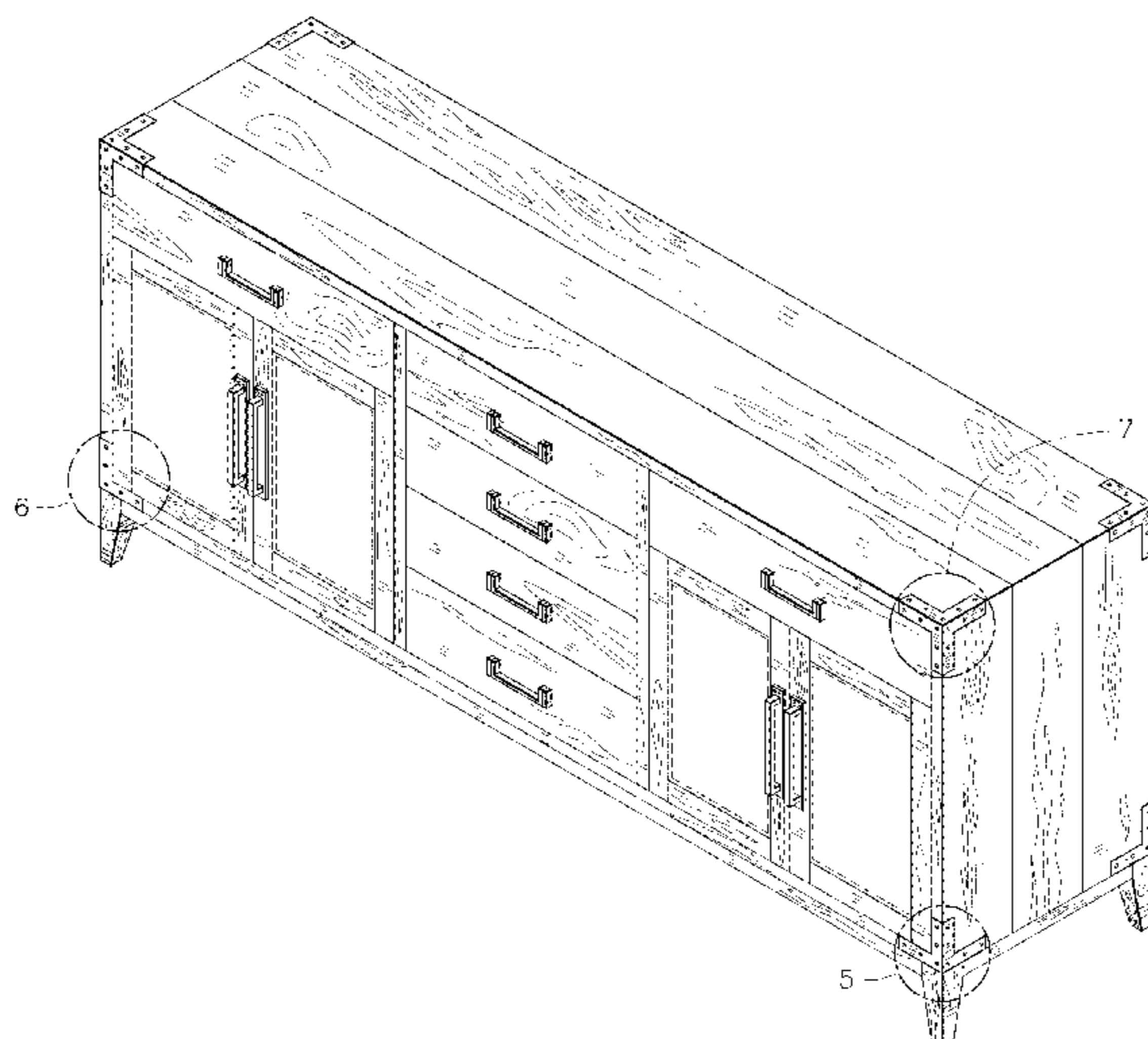
The ornamental design for a sideboard, as shown and described.

**DESCRIPTION**

FIG. 1 is a perspective view of a first embodiment of a sideboard showing our new design; FIG. 2 is a top plan view thereof; FIG. 3 is a front elevation view thereof; FIG. 4 is a right side elevation view thereof, the left side being a mirror image; FIG. 5 is an enlarged fragment of a portion of the sideboard shown in FIG. 1 and labeled 5; FIG. 6 is an enlarged fragment of a portion of the sideboard shown in FIG. 1 and labeled 6; FIG. 7 is an enlarged fragment of a portion of the sideboard shown in FIG. 1 and labeled 7; FIG. 8 is a perspective view of a second embodiment of a sideboard showing our new design; FIG. 9 is a top plan view thereof; FIG. 10 is a front elevation view thereof; FIG. 11 is a right side elevation view thereof, the left side being a mirror image; FIG. 12 is an enlarged fragment of a portion of the sideboard shown in FIG. 8 and labeled 12; FIG. 13 is an enlarged fragment of a portion of the sideboard shown in FIG. 8 and labeled 13; and, FIG. 14 is an enlarged fragment of a portion of the sideboard shown in FIG. 8 and labeled 14.

The broken lines show environmental subject matter and form no part of the claimed design. The fragmentary showing of wood grain in FIGS. 1-4 and 8-11 and shown in detail in FIGS. 5-7 and 12-14 is understood to be repeated throughout the surfaces shown. The second embodiment is shown with a symbolic break in length in FIGS. 8-10 and those portions of the article between the break lines form no part of the claimed design.

**1 Claim, 14 Drawing Sheets**



(56)

References Cited

U.S. PATENT DOCUMENTS

D88,180	S	11/1932	Van De Riet	
D96,212	S	7/1935	Widman	
D129,484	S	9/1941	Miller	
D141,374	S	5/1945	Miller	
D167,392	S	8/1952	Carr	
2,773,729	A	12/1956	Derman	
D188,196	S	* 6/1960	Lubberts et al.	D6/671.1
D188,197	S	* 6/1960	Swarts et al.	D6/671.1
D190,179	S	* 4/1961	Swarts et al.	D6/671.1
D226,831	S	5/1973	Allen	
D251,885	S	5/1979	Tebbe	
D271,259	S	* 11/1983	Smith, Jr.	D6/671.1
D272,495	S	2/1984	Kemp, III	
D272,497	S	2/1984	Kemp, III	
D275,435	S	* 9/1984	Adkinson	D6/671.1
4,793,667	A	12/1988	Gilliom	
D311,101	S	* 10/1990	Pauer	D6/671.1
D347,751	S	* 6/1994	Ball	D6/671.1
D352,607	S	11/1994	Woudstra	
5,368,380	A	11/1994	Mottmiller	
D373,491	S	* 9/1996	Walters, III	D6/671.1
D378,032	S	* 2/1997	Rosebrock	D6/671.1
D382,139	S	8/1997	Palka	
D384,223	S	9/1997	Palka	
D385,723	S	11/1997	Palka	
D385,724	S	11/1997	Palka	
D392,477	S	3/1998	De Blaay	
D403,529	S	* 1/1999	De Blaay	D6/657
D410,156	S	5/1999	Cohen	
D424,832	S	5/2000	Lacroix	
D437,150	S	* 2/2001	Cain	D6/671.1
D445,596	S	7/2001	Stout	
6,364,440	B2	4/2002	Donahue	
D465,105	S	* 11/2002	Tobin, Jr.	D6/671.1
D469,275	S	* 1/2003	McDaniel	D6/668.2
D473,401	S	4/2003	de Blois	
D494,774	S	8/2004	de Blois	
D499,275	S	12/2004	Grosfillex	
D499,276	S	12/2004	Grosfillex	
D501,616	S	2/2005	Walker	
D508,347	S	8/2005	Juneau	
D511,425	S	* 11/2005	Katz	D6/671.1
D542,057	S	5/2007	Juneau	
D549,488	S	8/2007	Brimacombe	
D553,389	S	10/2007	Marcus	
D560,929	S	2/2008	Woodward	
D564,254	S	3/2008	Heublein	
D609,936	S	2/2010	Haimoff	
D667,653	S	* 9/2012	Lenney	D6/671.1
D667,654	S	9/2012	Lenney	
D720,563	S	* 1/2015	Burden	D6/671.1
D722,241	S	2/2015	Chen	
D728,082	S	4/2015	Sukhera	
D767,914	S	10/2016	Burden	
D775,886	S	1/2017	Burden	
D790,887	S	7/2017	Everson	
D808,701	S	1/2018	Burden	
D818,297	S	5/2018	Burden	
D818,745	S	5/2018	Hannoosh	
D828,056	S	9/2018	Chiao	
D836,362	S	12/2018	Davis	
D843,127	S	3/2019	Altemime	
D853,146	S	7/2019	Lee	
D856,039	S	8/2019	Parikh	
D867,027	S	11/2019	Gelman	
D867,030	S	11/2019	Gelman	

OTHER PUBLICATIONS

Unknown, Early 20th century English. Bracket base design inspiration, downloaded from [http://www.1stdibs.com/furniture/storage-case-pieces/commodos-chests-of-drawers/antique-english-figured-mahogany-military-campaign-style-chest/id-f\\_13423711/](http://www.1stdibs.com/furniture/storage-case-pieces/commodos-chests-of-drawers/antique-english-figured-mahogany-military-campaign-style-chest/id-f_13423711/).

Unknown, Antique English Figured Mahogany Military or Campaign Style Chest—1850-1865, downloaded from [https://www.1stdibs.com/furniture/storage-case-pieces/commodos-chests-of-drawers/mahogany-campaign-style-chest-drawers/id-f\\_4169443/](https://www.1stdibs.com/furniture/storage-case-pieces/commodos-chests-of-drawers/mahogany-campaign-style-chest-drawers/id-f_4169443/).

Unknown, Antique Campaign Style Chest of Drawers or Dresser—1863 (The back of the case is lined with a local Birmingham England newspaper, dated 1863), downloaded from [https://www.1stdibs.com/furniture/storage-case-pieces/commodos-chests-of-drawers/antique-campaign-style-chest-drawers-dresser/id-f\\_7788843/](https://www.1stdibs.com/furniture/storage-case-pieces/commodos-chests-of-drawers/antique-campaign-style-chest-drawers-dresser/id-f_7788843/).

Unknown, 19th Century English Victorian Campaign Style Secrétaire Chest, downloaded from [https://www.1stdibs.com/furniture/storage-case-pieces/commodos-chests-of-drawers/english-victorian-campaign-style-secretaire-chest/id-f\\_11379051/](https://www.1stdibs.com/furniture/storage-case-pieces/commodos-chests-of-drawers/english-victorian-campaign-style-secretaire-chest/id-f_11379051/).

Unknown, Kaplan Furniture—Pair of Midcentury Campaign Style Nightstands, downloaded from [https://www.1stdibs.com/furniture/more-furniture-collectibles/bedroom-furniture/night-stands/pair-of-midcentury-campaign-style-nightstands/id-f\\_17197411/](https://www.1stdibs.com/furniture/more-furniture-collectibles/bedroom-furniture/night-stands/pair-of-midcentury-campaign-style-nightstands/id-f_17197411/).

Unknown, Campaign dresser in solid oak and oak veneers, This campaign style chest by Bernhardt was crafted in 1973, downloaded from <https://www.casavictoriala.com/blog/tag/Chest>.

Unknown, Pair of Vintage Campaigner Chests by Dixie on 1stdibs (20th Century), downloaded from [https://www.1stdibs.com/furniture/storage-case-pieces/commodos-chest-of-drawers/pair-of-vintage-campaigner-chests-dixie/id-f\\_13204361/](https://www.1stdibs.com/furniture/storage-case-pieces/commodos-chest-of-drawers/pair-of-vintage-campaigner-chests-dixie/id-f_13204361/).

Unknown, 1970 Dixie Campaigner Dresser (1970s), <https://www.varagesale.com/i/6epkgzz7-antique-1970-dixie-campaigner-reduced-credenza-dresser-changing-table>.

Unknown, Dixie Campaign style dresser, Unique by Ruth Rockville, MD (20th Century), downloaded from <https://attic.city/store/uniquebyruth>.

Unknown, Dixie Campaigner 5 Drawer Dresser, brass pulls hardware, dovetail (20th Century), downloaded from [https://www.auctionzip.com/auction-lot/DIXIE-CAMPAIGNER-5-Drawer-Dresser\\_43F42A1934/](https://www.auctionzip.com/auction-lot/DIXIE-CAMPAIGNER-5-Drawer-Dresser_43F42A1934/).

Unknown, Pair of vintage Campaign nightstands crafted in walnut with sleek modern form, brass Campaign hardware and block feet. Stamped “Campaigner” a division of Dixie furniture. Ca. 1960, downloaded from [https://www.1stdibs.com/furniture/more-furniture-collectibles/bedroom-furniture/night-stands/pair-of-campaign-style-nightstands/id-f\\_19731632/](https://www.1stdibs.com/furniture/more-furniture-collectibles/bedroom-furniture/night-stands/pair-of-campaign-style-nightstands/id-f_19731632/).

Unknown, Baker Furniture Hollywood Regency Campaign Walnut Highboy Dresser, Refinished (1960-1969), downloaded from [https://www.1stdibs.com/furniture/storage-case-pieces/dressers/baker-furniture-hollywood-regency-campaign-walnut-highboy-dresser-refinished/id-f\\_19785092/](https://www.1stdibs.com/furniture/storage-case-pieces/dressers/baker-furniture-hollywood-regency-campaign-walnut-highboy-dresser-refinished/id-f_19785092/).

Unknown, Campaign Style Chest of Drawers Made by Baker Furniture (1960’s), downloaded from [https://www.1stdibs.com/furniture/storage-case-pieces/dressers/mid-century-wood-campaign-6-drawer-dresser-baker-furniture-co-brass-pulls/id-f\\_9818473/](https://www.1stdibs.com/furniture/storage-case-pieces/dressers/mid-century-wood-campaign-6-drawer-dresser-baker-furniture-co-brass-pulls/id-f_9818473/).

Unknown, Mid-century Wood Campaign 6 Drawer Dresser Baker Furniture Co with Brass Pulls (1960’s), downloaded from [https://www.1stdibs.com/furniture/storage-case-pieces/dressers/mid-century-wood-campaign-6-drawer-dresser-baker-furniture-co-brass-pulls/id-f\\_9818473/](https://www.1stdibs.com/furniture/storage-case-pieces/dressers/mid-century-wood-campaign-6-drawer-dresser-baker-furniture-co-brass-pulls/id-f_9818473/).

Unknown, Campaign Style Desk by National Mt. Airy (1970’s), downloaded from [https://www.1stdibs.com/furniture/storage-case-pieces/desks/campaign-style-desk-national-mt-airy/id-f\\_17947252/](https://www.1stdibs.com/furniture/storage-case-pieces/desks/campaign-style-desk-national-mt-airy/id-f_17947252/).

Unknown, Pair of Mt Airy Walnut Campaign Style Nightstands (1970-1979), downloaded from [https://www.1stdibs.com/furniture/more-furniture-collectibles/bedroom-furniture/night-stands/pair-of-mt-airy-walnut-campaign-style-nightstands/id-f\\_3437562/](https://www.1stdibs.com/furniture/more-furniture-collectibles/bedroom-furniture/night-stands/pair-of-mt-airy-walnut-campaign-style-nightstands/id-f_3437562/).

Unknown, National Mt. Airy Campaign Style Cherry Chest Nightstand (1980’s), downloaded from <https://store.buckscountystatetraders.com/collections/nightstands-chests/products/national-mt-airy-campaign-style-cherry-chest-nightstand>.

Unknown, National Mt. Airy Campaign Style Tall Seven Drawer Dresser (20th Century), downloaded from <https://attic.city/item/1S8/national-mt-airy-campaign-style-tall-seven-drawer-dresser/urban-americana>.

Unknown, Vintage Campaign Style Nightstand by National Mt. Airy (20th Century), downloaded from <https://www.ebth.com/item/5622351-vintage-campaign-style-nightstand-by-national-mt-airy>.

(56)

## References Cited

## OTHER PUBLICATIONS

Unknown, 5346400: Colonial Style Camphor Wood Campaign Secretary by National Mt. Airy FR3SH (20th Century), downloaded from [https://bid.igavelauctions.com/Bidding.taf?\\_function=detail&Auction\\_uid1=5346400](https://bid.igavelauctions.com/Bidding.taf?_function=detail&Auction_uid1=5346400).

Unknown, Lane Mid Century Modern Asian Campaign Long Dresser (20th Century), downloaded from <https://www.loveseat.com/a/lane-campaign-henredon-persian-rugs-asian/>.

Unknown, Lane Mid Century Modern Asian Campaign Nightstand (20th Century), downloaded from <https://www.loveseat.com/a/lane-campaign-henredon-persian-rugs-asian/>.

Unknown, Lane Mid Century Modern Asian Campaign Tall Dresser (20th Century), downloaded from <https://www.loveseat.com/a/lane-campaign-henredon-persian-rugs-asian/>.

Unknown, Campaign Style Mahogany Nightstands or Chests—A Pair (20th Century), downloaded from <https://www.chairish.com/product/2439367/pair-of-campaign-style-mahogany-nightstands-or-chest>.

Unknown, Mid 20th Century Vintage Headboard Panel Mid Century Modern Campaign (20th Century).

Unknown, Campaign Style Mahogany Nightstands or Chests—A Pair (20th Century).

Unknown, Vintage Headboard Panel Mid Century Modern Campaign (20th Century), downloaded from <https://www.etsy.com/hk-en/listing/555709354/vintage-headboard-panel-mid-century>.

Unknown, 1970's Henredon Furniture—Campaign dresser in solid oak and oak veneers, downloaded from <https://chairish.com/search?q=Henredon+Campaign+Style+Headboard>.

Unknown, Henredon Campaign 1970's Pair of Campaign Style Display Cabinets by Henredon, downloaded from [https://www.1stdibs.com/furniture/storage-case-pieces/cabinets/pair-of-campaign-style-display-cabinets-henredon/id-f\\_6750843](https://www.1stdibs.com/furniture/storage-case-pieces/cabinets/pair-of-campaign-style-display-cabinets-henredon/id-f_6750843).

Unknown, Vermont Wood Studios shaker style cabinet (20th Century), downloaded from <https://vermontwoodstudios.com/products/shaker-bookcase-full-glass-doors>.

Unknown, Mid Century Antique (20<sup>th</sup> Century), downloaded from [https://www.1stdibs.com/furniture/more-furniture-collectibles/bedroom-furniture/night-stands/american-mid-century-nightstand/id-f\\_136709/](https://www.1stdibs.com/furniture/more-furniture-collectibles/bedroom-furniture/night-stands/american-mid-century-nightstand/id-f_136709/).

Unknown, Henredon Artefacts 1970's, downloaded from [https://www.liveauctioneers.com/item/31072932\\_5-piece-henredon-artefacts-line-bedroom-set-consisting](https://www.liveauctioneers.com/item/31072932_5-piece-henredon-artefacts-line-bedroom-set-consisting).

Unknown, Henredon Artefacts 1970's, downloaded from [https://www.auctionzip.com/auction-lot/Henredon-Artefacts-Campaign-Dresser\\_7F342BC8F7/](https://www.auctionzip.com/auction-lot/Henredon-Artefacts-Campaign-Dresser_7F342BC8F7/).

Unknown, Henredon Artefacts 1970's, downloaded from <https://www.chairish.com/product/2571293/henredon-queen-size-campaign-style-headboard>.

Unknown, Theodore Alexander Echoes Collection; Solid Oak and oak veneers; Designed by Thad and Chris Bergelin; Introduced Oct. 2017—Currently in market, downloaded from <https://www.theodorealexander.com/product-detail/fc599826-f8da-4a73-b5a8-26392a4a36bc>.

Unknown, Jonathan Charles Furniture Campaign Collection; Pre-2018 Currently in market, downloaded from [https://www.jonathancharlesfurniture.com/catalogue/index.php?route=product/collection&collection\\_id=175](https://www.jonathancharlesfurniture.com/catalogue/index.php?route=product/collection&collection_id=175).

Unknown, Williams-Sonoma Home Campaign Collection; Pre-2018 Currently in market, downloaded from <https://www.williams-sonoma.com/shop/home-shop-the-look-2/shop-the-look-bohemian-luxury/furniture-campaign-collection/>.

Unknown, Theodore Alexander—Echoes Pre-2018, downloaded at <https://www.martyrae.com/theodore-alexander-sayer/cb60023-c062-991/iteminformation.aspx>.

Unknown, Theodore Alexander SDayer Chest, pre-2018, downloaded at <https://www.brassandburl.com/sayer-campaign-chest-dark-echo.html>.

Unknown, Bassick Sack—1960s Catalog, Biesenstock Library.

Unknown, Henredon Artefacts circa 1970s, downloaded from [https://www.1stdibs.com/furniture/storage-case-pieces/dressers/campaign-stye-seven-drawer-dresser-henredon-artefacts-collection/id-f\\_3486692/](https://www.1stdibs.com/furniture/storage-case-pieces/dressers/campaign-stye-seven-drawer-dresser-henredon-artefacts-collection/id-f_3486692/).

Unknown, Bassick Sack—1960s Catalog, Biesenstock Library.

Unknown, Henredon Artefacts circa 1970s, downloaded from <https://www.chairish.com/product/1409564/henredon-artefacts-campaign-style-brass-hardware-pulls>.

Unknown, Richelieu Contemporary Metal Pull—23760, pre-2017, downloaded from <https://www.richelieu.com/us/en/category/decorative-hardware/cabinet-hardware-pulls-and-knobs/pulls/contemporary-metal-pull-23760/1005409?s=pull+64mm>.

Unknown, Henredon Artefacts, circa 1970s.

Unknown, Horton Brass Drawer Pull (2012), downloaded from <https://www.horton-brasses.com/OFP-22.ASP>.

Unknown, Horton Brass Drawer Pull (2013), downloaded from <https://www.horton-brasses.com/item.asp?PID=9400>.

Unknown, Modus Furniture—“Adler” Collection, Available in market since 2018, [https://www.amazon.com/Modus-Furniture-8N1681-Nightstand-Natural/dp/B01M28ZFX/ref=asc\\_df\\_B01M28ZFX6/?tag=hyprod-20&linkCode=df0&hvadid=216742969400&hvpos=&hvnetw=g&hvrnd=6482784008848621188&hvpone=&hvpone=&hvgmt=&hvdev=c&hvdvcmdl=&hvlocint=&hvlocphy=9061145&hvtargid=pla-350128461322&th=1](https://www.amazon.com/Modus-Furniture-8N1681-Nightstand-Natural/dp/B01M28ZFX/ref=asc_df_B01M28ZFX6/?tag=hyprod-20&linkCode=df0&hvadid=216742969400&hvpos=&hvnetw=g&hvrnd=6482784008848621188&hvpone=&hvpone=&hvgmt=&hvdev=c&hvdvcmdl=&hvlocint=&hvlocphy=9061145&hvtargid=pla-350128461322&th=1).

Unknown, RH Warwick Campaign, Available since 2015; <https://rh.com/catalog/product/product.isp?productld'prod3200111>.

Unknown, Lulu & Georgia Campaign Console, Available since 2018 <https://www.decorpad.com/bookmark.htm?bookmarkId=48644>.

Unknown, Campaign Chest Late 19th Century (Before 1900) <https://www.carters.com.au/index.cfm/index/794-chests-of-drawers-campaign-and-military/>.

Unknown, Sonder Living —“Maison 55” Collection, Available since 2018, [https://www.perigold.com/Sonder-Living-Maison-55-Durham-5-Drawer-Dresser-0804013-L13-K~P000894954.html?refid=GX434141433105-P000894954&device=c&ptid=967441908397&targetid=aud\\_927354925853:pla-967441908397&ireid'40883456&gclid=Cj0KCQiAqdp9BRDVARIsAGSZ8AnzDK\\_29EILWC\\_2Bac6FywV5peyL5ryKPZ1aZNFQDIwearM9JO0NMAswQEALw\\_wcB](https://www.perigold.com/Sonder-Living-Maison-55-Durham-5-Drawer-Dresser-0804013-L13-K~P000894954.html?refid=GX434141433105-P000894954&device=c&ptid=967441908397&targetid=aud_927354925853:pla-967441908397&ireid'40883456&gclid=Cj0KCQiAqdp9BRDVARIsAGSZ8AnzDK_29EILWC_2Bac6FywV5peyL5ryKPZ1aZNFQDIwearM9JO0NMAswQEALw_wcB).

Unknown, Theodore Alexander—Sayer Campaign Chest, Available in market since 2017, <https://www.brassandburl.com/sayer-campaign-chest-echo-oak.html>.

Unknown, Bassick Sack—1960's Catalog, Example of outside vertical element for use as hardware “keeper” with swing “bail” in between Bernice Bienenstock Furniture Library.

Unknown, Theodore Alexander—Sayer Campaign Chest Available in market since 2017, Example of outside vertical element for use as hardware “keeper” with swing “bail” in between, <https://www.brassandburl.com/saver-campaign-chest-echo-oak.html>.

Unknown, Richelieu Contemporary Metal Pull-Pre-2017 Example of outside vertical element for use as hardware “keeper” with swing “bail” in between, <http://www.richelieu.com/us/en/category/decorative-hardware/cabinet-hardware-pulls-and-knobs/pulls/comtemporary-metal-pull-23760/1005409?s=pull+64mm>.

Unknown, Drexel Heritage “Consensus Campaign”—1970's Example of outside vertical element for use as hardware “keeper” with swing “bail” in between, [https://www.1stdibs.com/furniture/storage-case-pieces/dressers/drexel-heritage-consensus-brass-accent-pecan-dresser-1970s-campaign-style/id-f\\_1330792/](https://www.1stdibs.com/furniture/storage-case-pieces/dressers/drexel-heritage-consensus-brass-accent-pecan-dresser-1970s-campaign-style/id-f_1330792/).

Unknown, Campaign Chest Late 19th Century (Before 1900) <https://www.anthonysshort.co.uk/antiques-sold-gallaery/sold-19th-century-mahogany-military-or-campaign-chest-of-drawers-14-743.html>.

Unknown, Sonder Living—“Maison 55” Collection, available before 2018, [https://www.perigold.com/Sonder-Living-Maison-55-Durham-5-Drawer-Dresser-0804013-L13-K~P000894954.html?refid=GX43414133105-P000894954&device=c&ptid=967441908397&targetid=aud-927354925853:pla-967441908397&ireid=40883456&gclid=Cj0KCQiAqdp9BRDVARIsAGSZ8AnzDK\\_29eilWC\\_2Bac6FywV5peyL5ryKPZ1aZNFQDIweaxM9JO0NMAswQEALw\\_wcB](https://www.perigold.com/Sonder-Living-Maison-55-Durham-5-Drawer-Dresser-0804013-L13-K~P000894954.html?refid=GX43414133105-P000894954&device=c&ptid=967441908397&targetid=aud-927354925853:pla-967441908397&ireid=40883456&gclid=Cj0KCQiAqdp9BRDVARIsAGSZ8AnzDK_29eilWC_2Bac6FywV5peyL5ryKPZ1aZNFQDIweaxM9JO0NMAswQEALw_wcB).

Unknown, Baker Furniture CIRCA 1940S <http://www.1stdibs.com/furniture/storage-case-pieces/commondes-chests-of-drawers/baker->

(56)

**References Cited**

## OTHER PUBLICATIONS

furniture-five-drawer-campaign-chest-circa-1940s/id-f\_21232532/?gclid=Cj0KCQiA48j9BRC-ARIsAMQu3WTgAKBVe4UEgLwOZGSTiiDgL5mVpcvGUTCWZxIMighQrkuf3NOtDlaAmsbEALw\_wcB&gclid=aw.ds.

Unknown, Harrod's London Kennedy Furniture Campaign (20th Century), downloaded from [https://www.1stdibs.com/furniture/storage-case-pieces/bookcases/harrods-london-kennedy-furniture-campaign-mahogany-cupboard-bookcase-drawers/id-f\\_14132391/](https://www.1stdibs.com/furniture/storage-case-pieces/bookcases/harrods-london-kennedy-furniture-campaign-mahogany-cupboard-bookcase-drawers/id-f_14132391/).

Unknown, 1970's Henredon Furniture—Campaign dresser in solid oak and oak veneers. Also note panel headboard with metal brackets, downloaded from [http://www.appie.org/ktm\\_cdn/he/henredon-bedroom-furniture-fine-vintage-artefact-campaign\\_furniture-bedroom-ideas.jpg](http://www.appie.org/ktm_cdn/he/henredon-bedroom-furniture-fine-vintage-artefact-campaign_furniture-bedroom-ideas.jpg).

Unknown, Vintage Headboard Panel, 1970s; downloaded from [http://www.appie.org/ktm\\_cdn/he/henredon-bedroom-furniture-fine-vintage-artefacts-campaign\\_furniture-bedroom-ideas.jpg](http://www.appie.org/ktm_cdn/he/henredon-bedroom-furniture-fine-vintage-artefacts-campaign_furniture-bedroom-ideas.jpg).

Unknown, Henredon Artefacts 1970's, Single Drawer Nightstand (20th Century), downloaded from <https://www.loveseat.com/i/pair-of-henredon-artefacts-nightstands>.

Unknown, Henredon Artefacts 1970's, downloaded from [https://www.chairish.com/product/2883856-mid-20th-century-campaign-henredon-mahogany-nightstands-a-pair?gclid=Cj0KCQiAjKgABhDLARIsABJrGmu\\_a-Tm0ChsJ954g1UIfN48cDpLg2C1gAcNxJDdDJ6L-vzikl8NAaAkpMEALw\\_wcB](https://www.chairish.com/product/2883856-mid-20th-century-campaign-henredon-mahogany-nightstands-a-pair?gclid=Cj0KCQiAjKgABhDLARIsABJrGmu_a-Tm0ChsJ954g1UIfN48cDpLg2C1gAcNxJDdDJ6L-vzikl8NAaAkpMEALw_wcB).

Unknown, Henredon Artefacts Double Dresser 1970's <https://www.chairish.com/product/1037534thenredon-artefacts-campaign-style-double-dresser-credenza>.

Unknown, Drexel Heritage Consensus Campaign Dresser circa 1970s, downloaded at <https://www.furnishmevintage.com/drexel-consensus-campaign-dresser/>.

Unknown, A&H Bradd Gilroy Drop Handle Drawer Pull, pre-2018; downloaded from <https://ahbrass.com.uk/cupboard/cup-drawer-pulls/gilroy-drawer-pull-drop-handle>.

Unknown, Etsy—Henredon Artefacts, pre-2018; downloaded from [https://www.etsy.com/listing/604313108/26-37-brushed-gold-brass-drawer-pulls?ga\\_order=most\\_relevant&ga\\_search\\_type=all&ga\\_view\\_type=gallery&ga\\_search\\_query=henredon+artefacts&ref=sr\\_gallery-1-4&col=1](https://www.etsy.com/listing/604313108/26-37-brushed-gold-brass-drawer-pulls?ga_order=most_relevant&ga_search_type=all&ga_view_type=gallery&ga_search_query=henredon+artefacts&ref=sr_gallery-1-4&col=1).

Unknown, Antique Campaign Drop Pull, pre-2018; downloaded from <https://www.houseofantiquehardware.com/campaign-rope-3-inch-drop-pull>.

Unknown, Etsy Cabinet Door Handle, pre-2018; downloaded from <https://www.etsy.com/listing/721955708/25-375-kitchen-cabinet-door-handle-pull?gpla=1&gao=1&>.

Unknown, Home Depot product listing for Drawer Pull, pre-2018; downloaded from <https://www.homedepot.com/p/Liberty-External-Campaign-3-in-76mm-Center-to-Center-Bronze-with-Gold-Highlight-Drawer-Pull-P34967-VBG-C/304753902>.

\* cited by examiner

FIG. 1

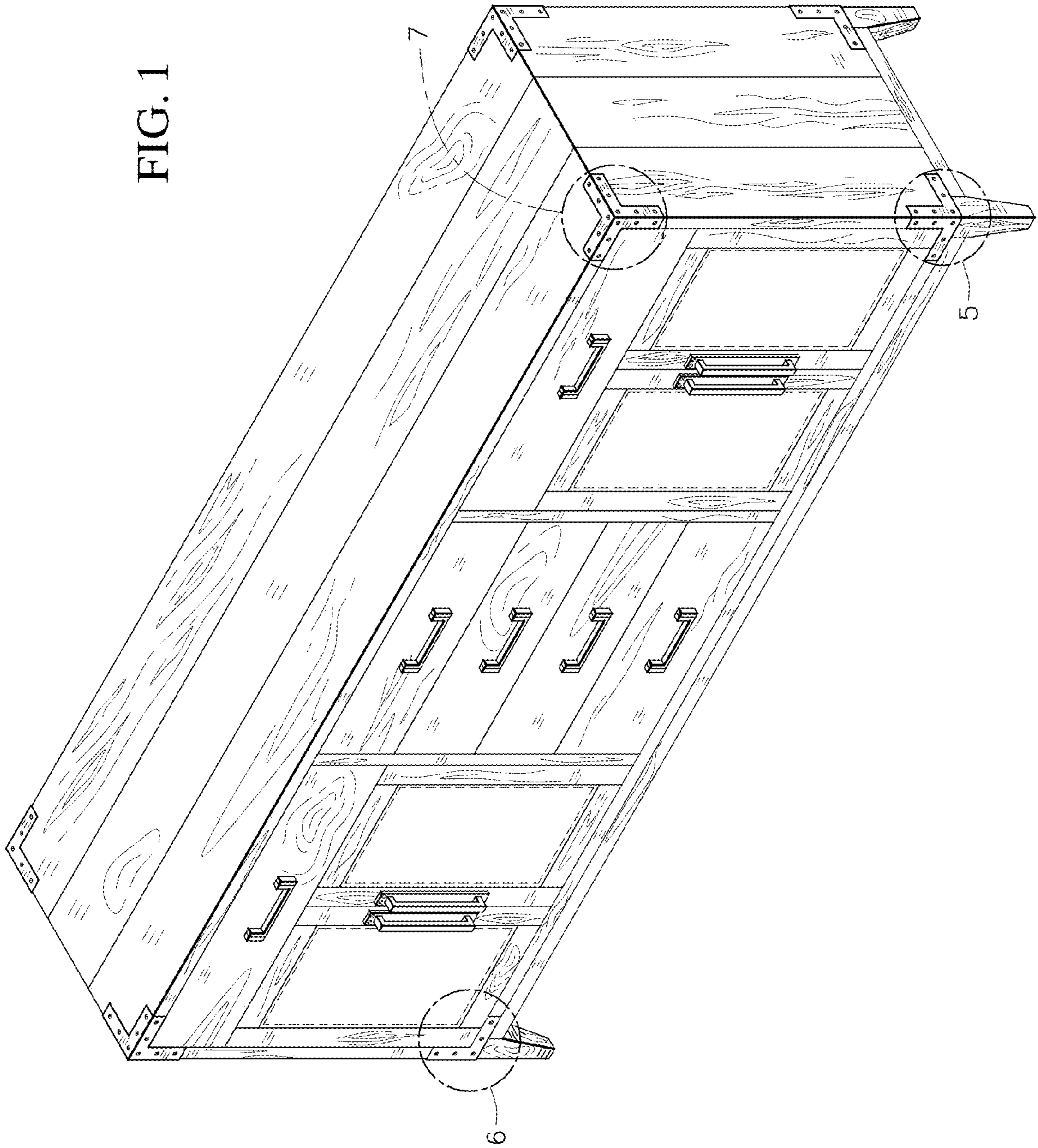


FIG. 2

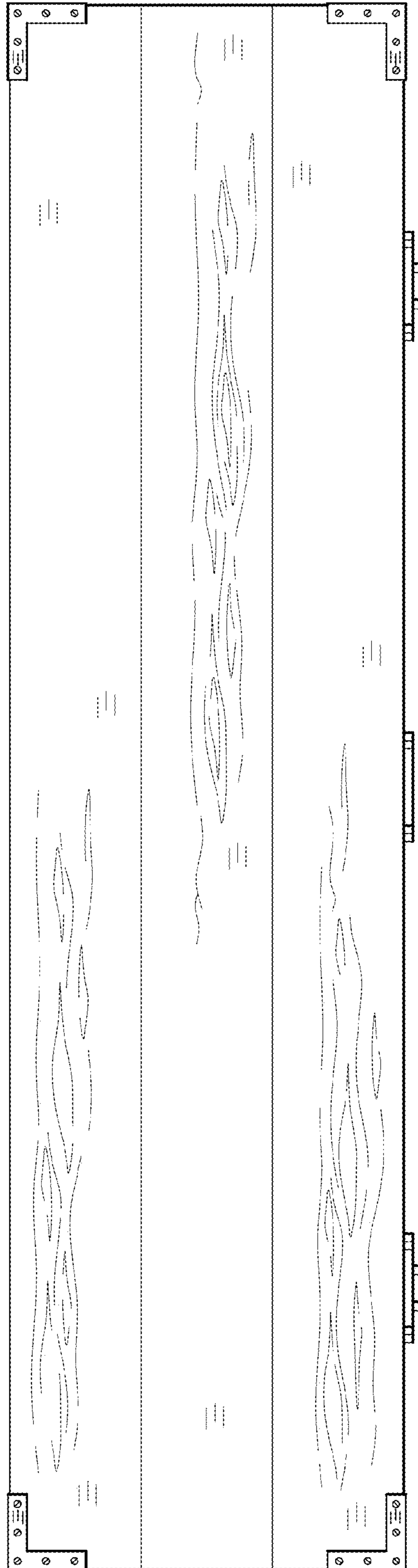


FIG. 3

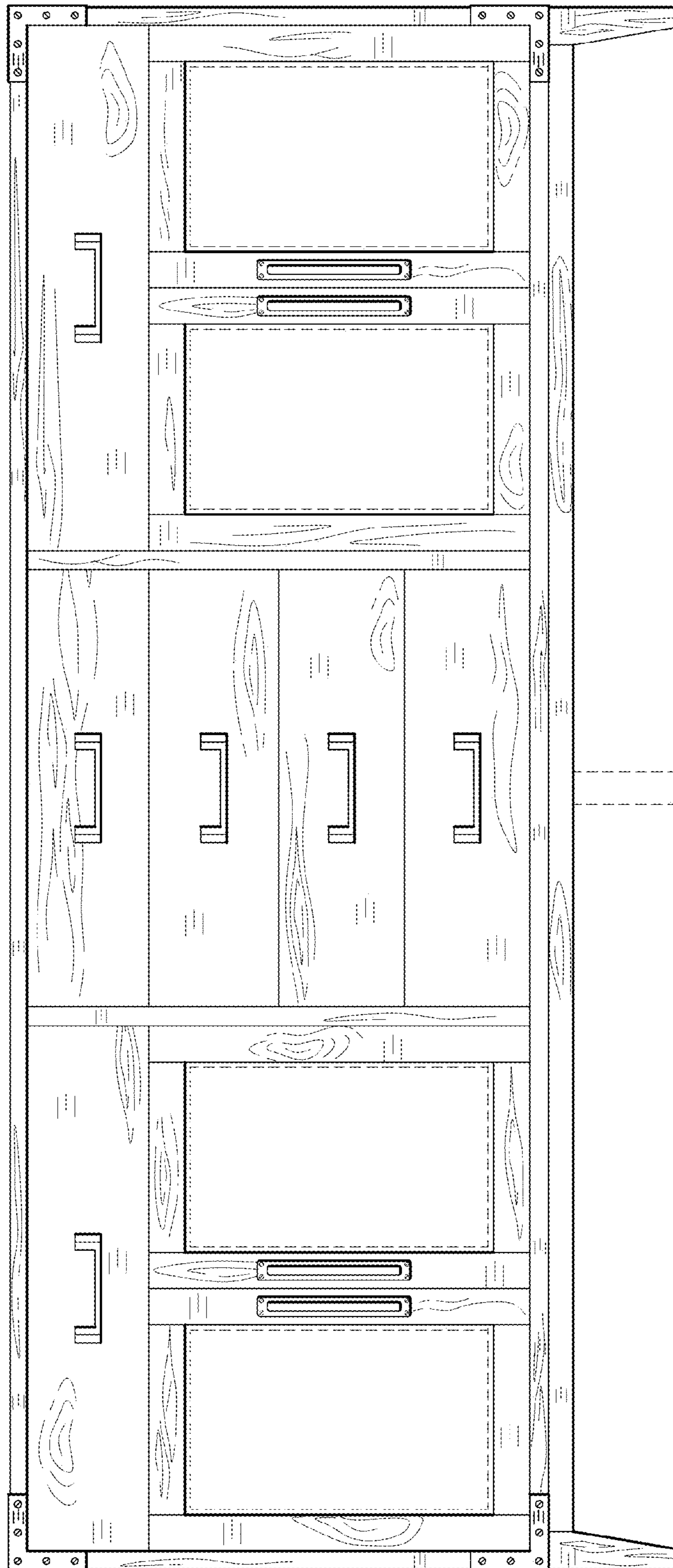
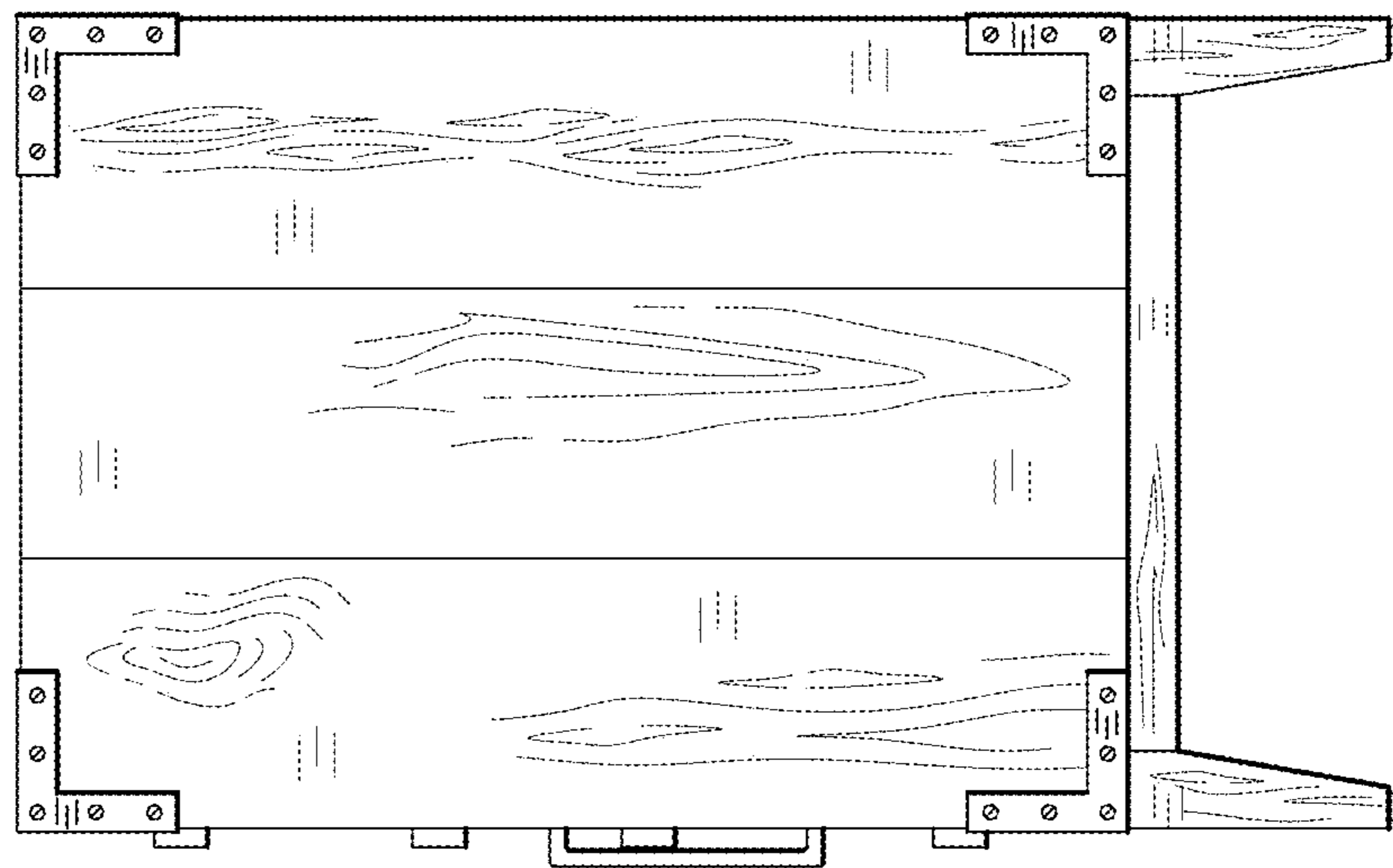


FIG. 4





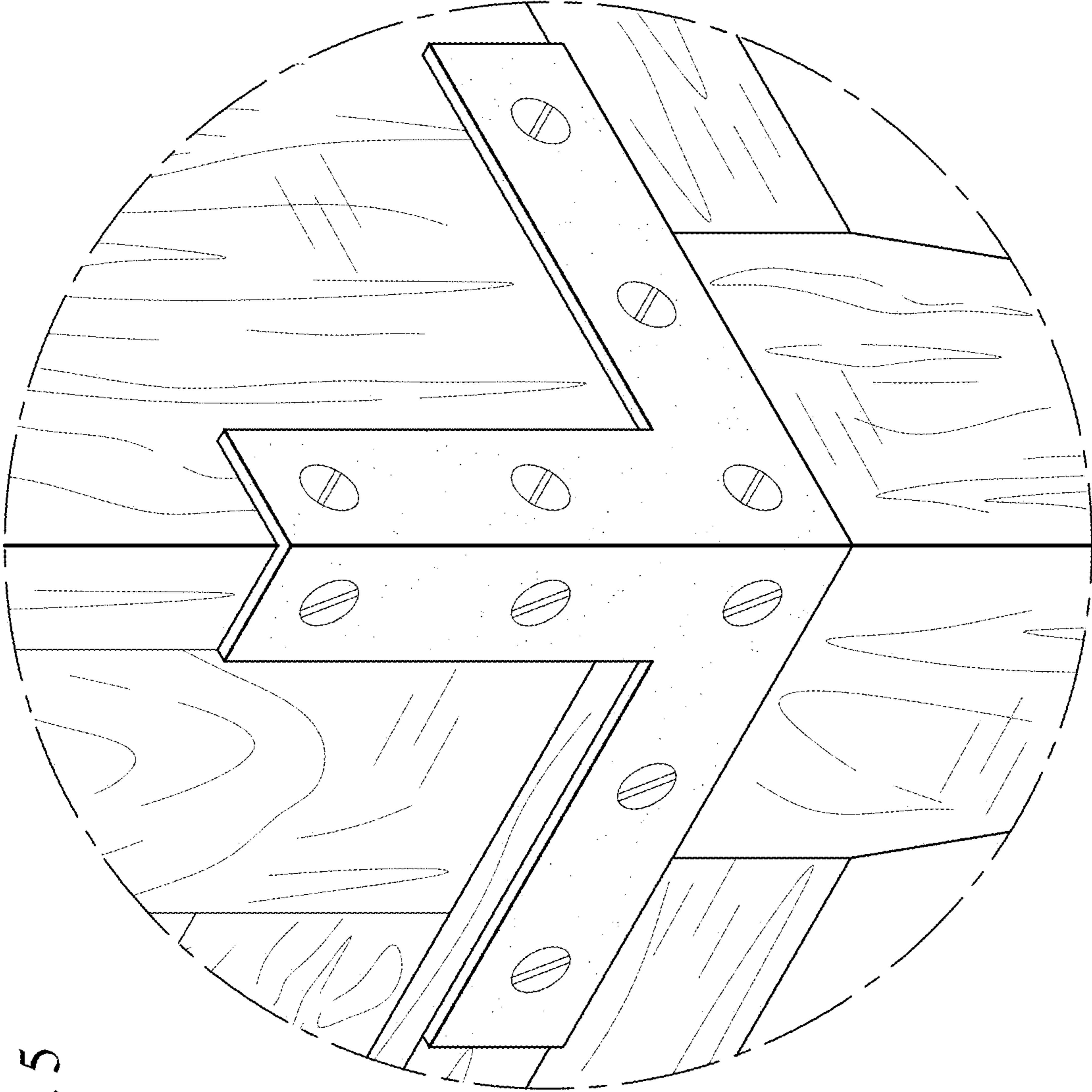


FIG. 5

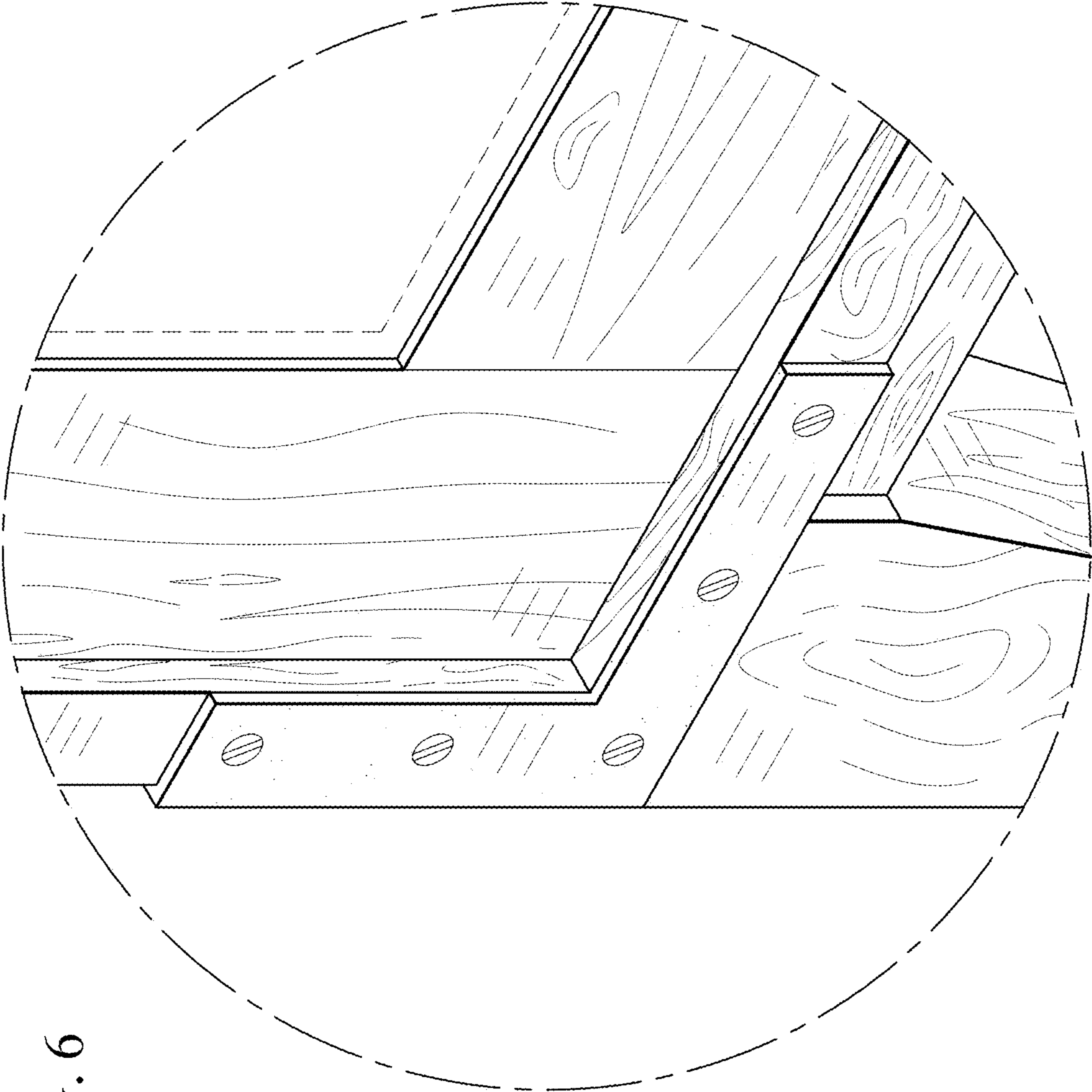


FIG. 6

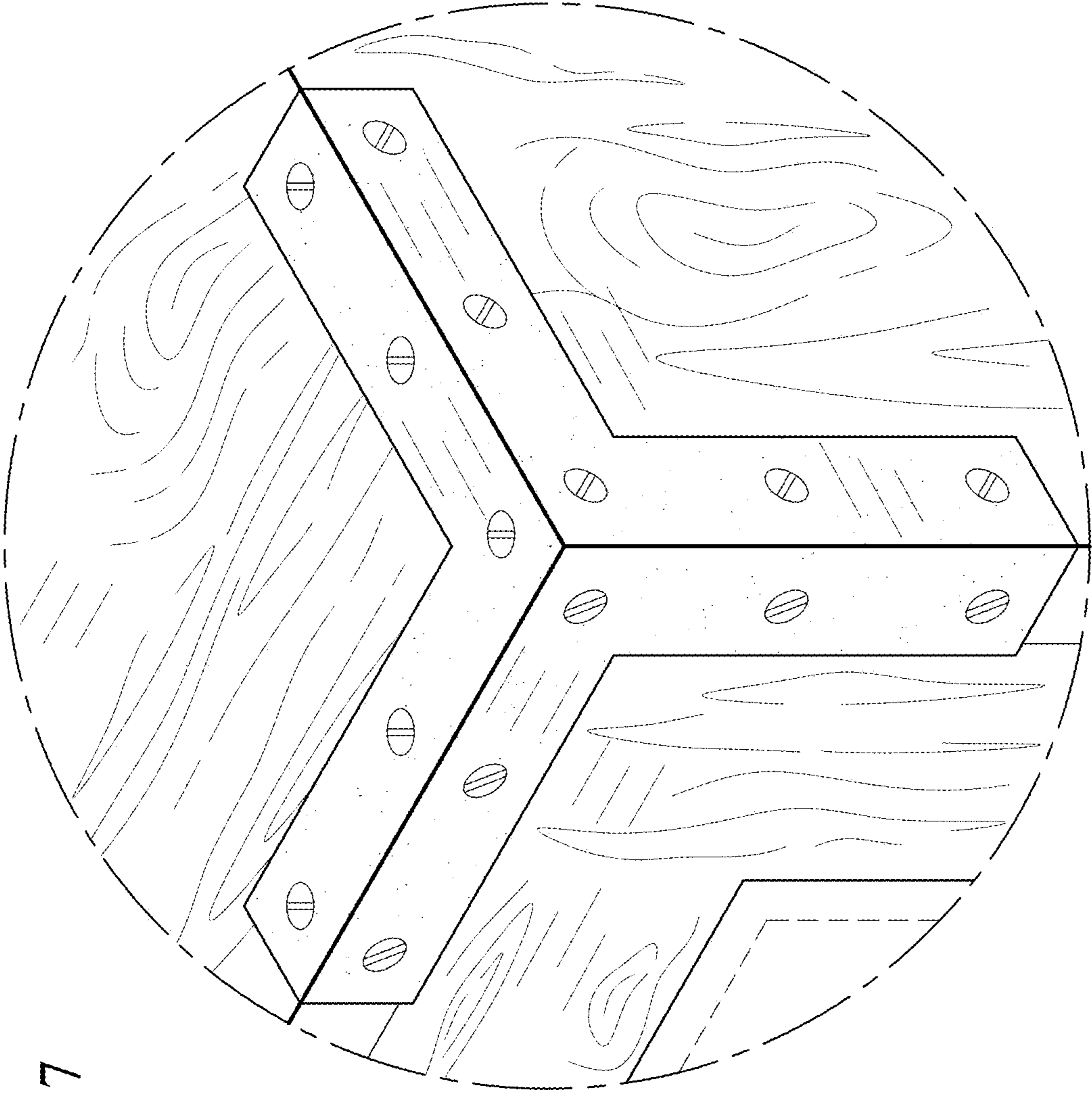


FIG. 7

FIG. 8

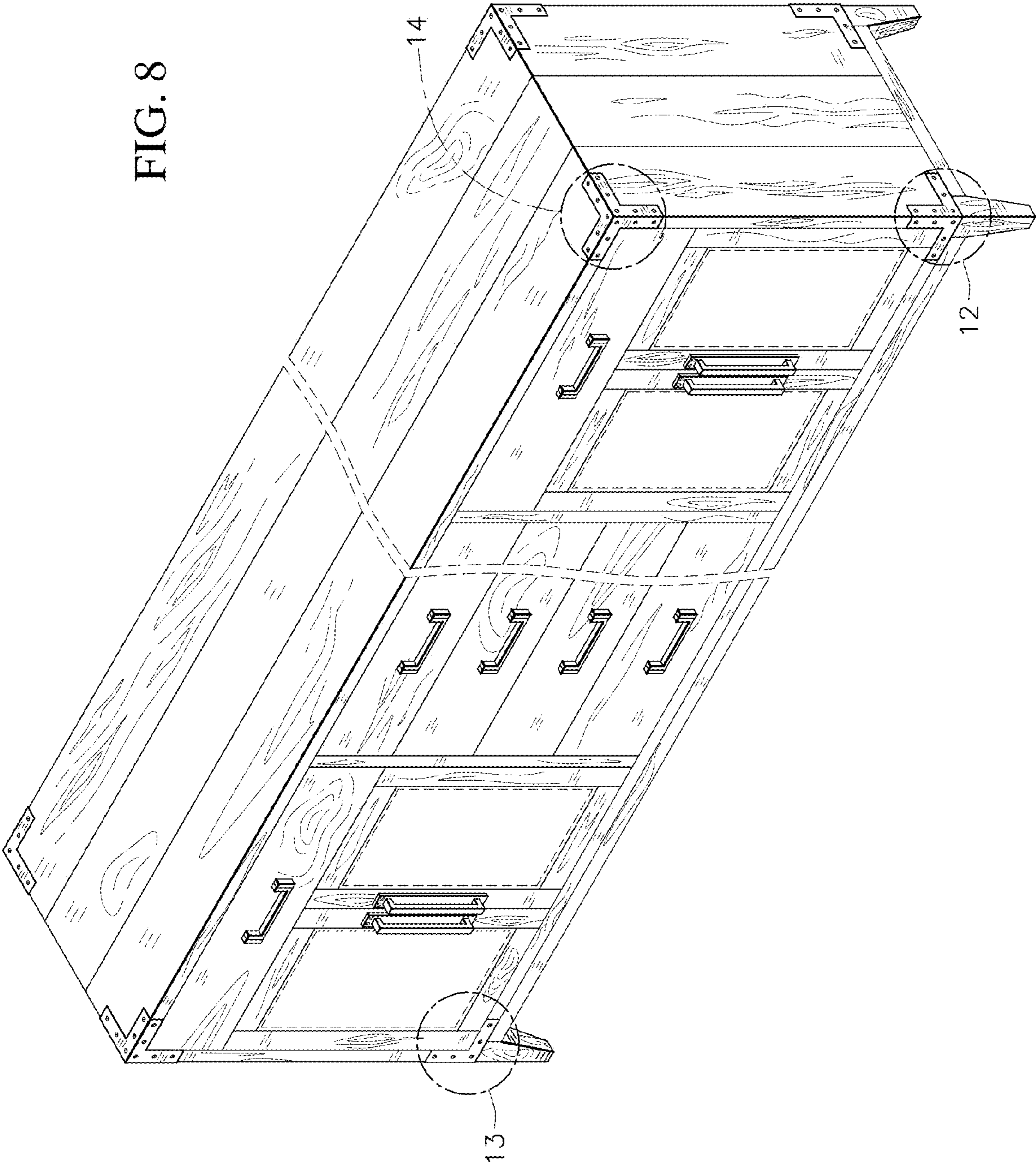


FIG. 9

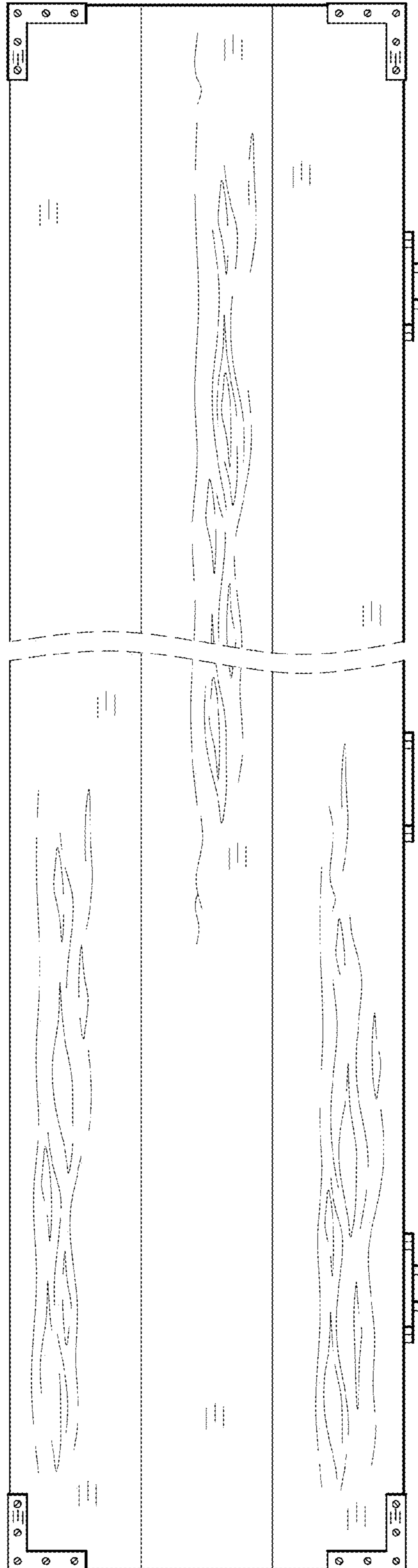


FIG. 10

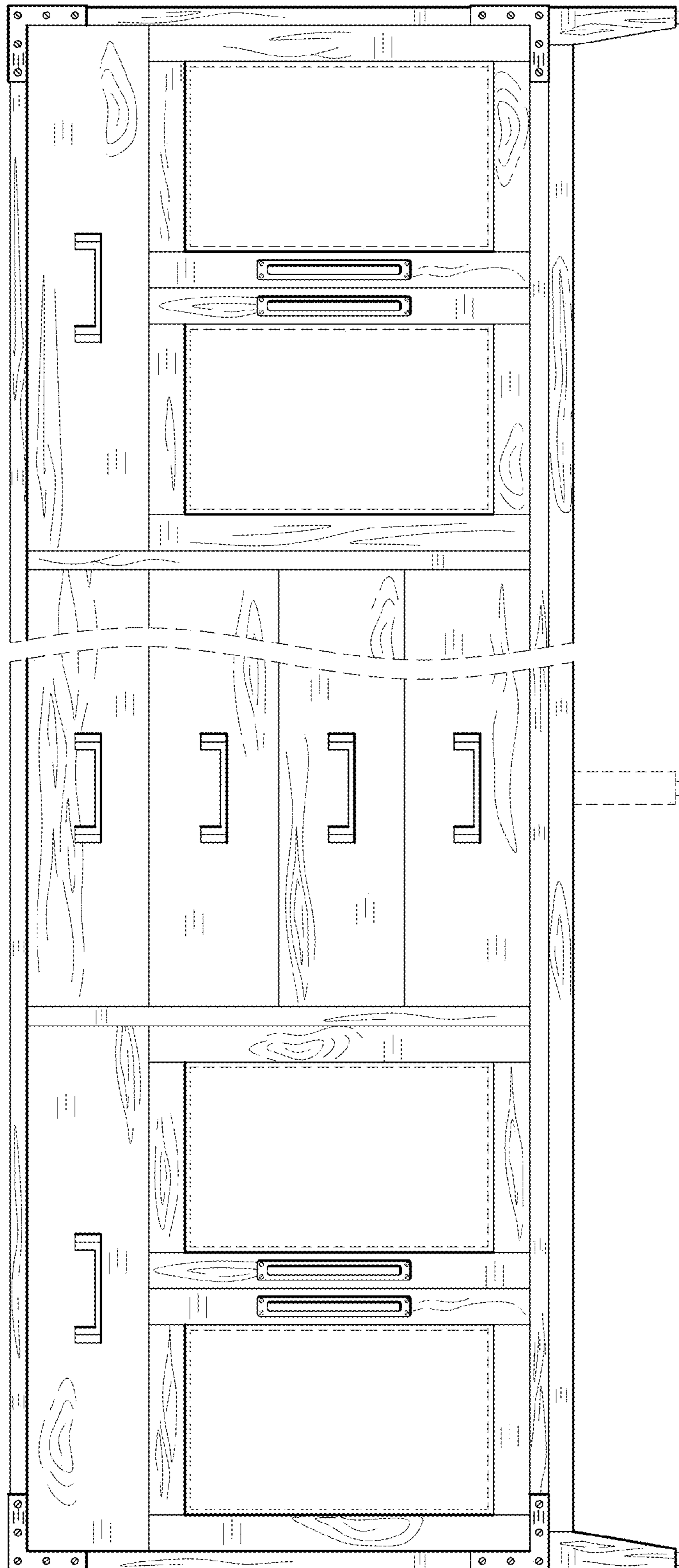
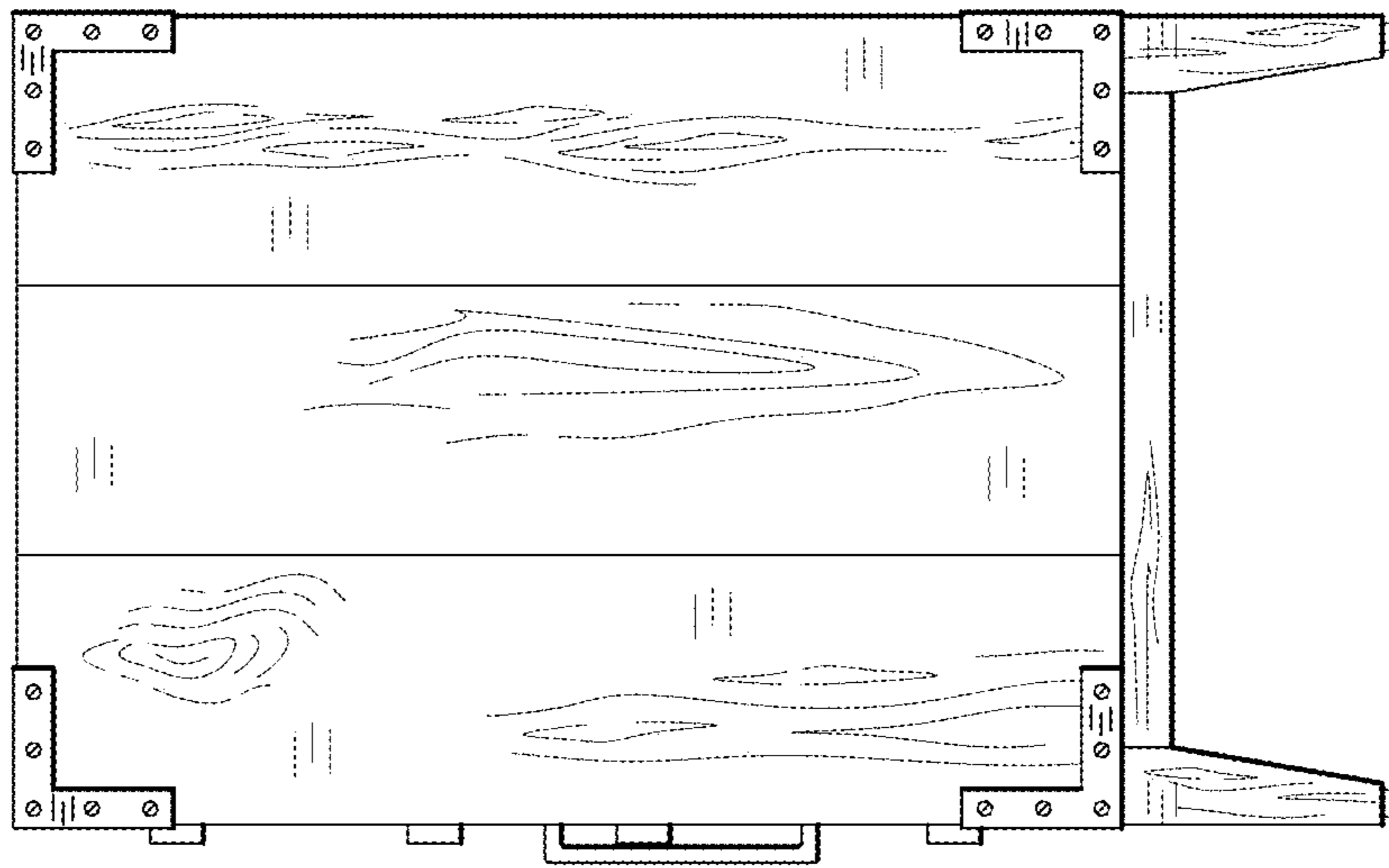


FIG. 11



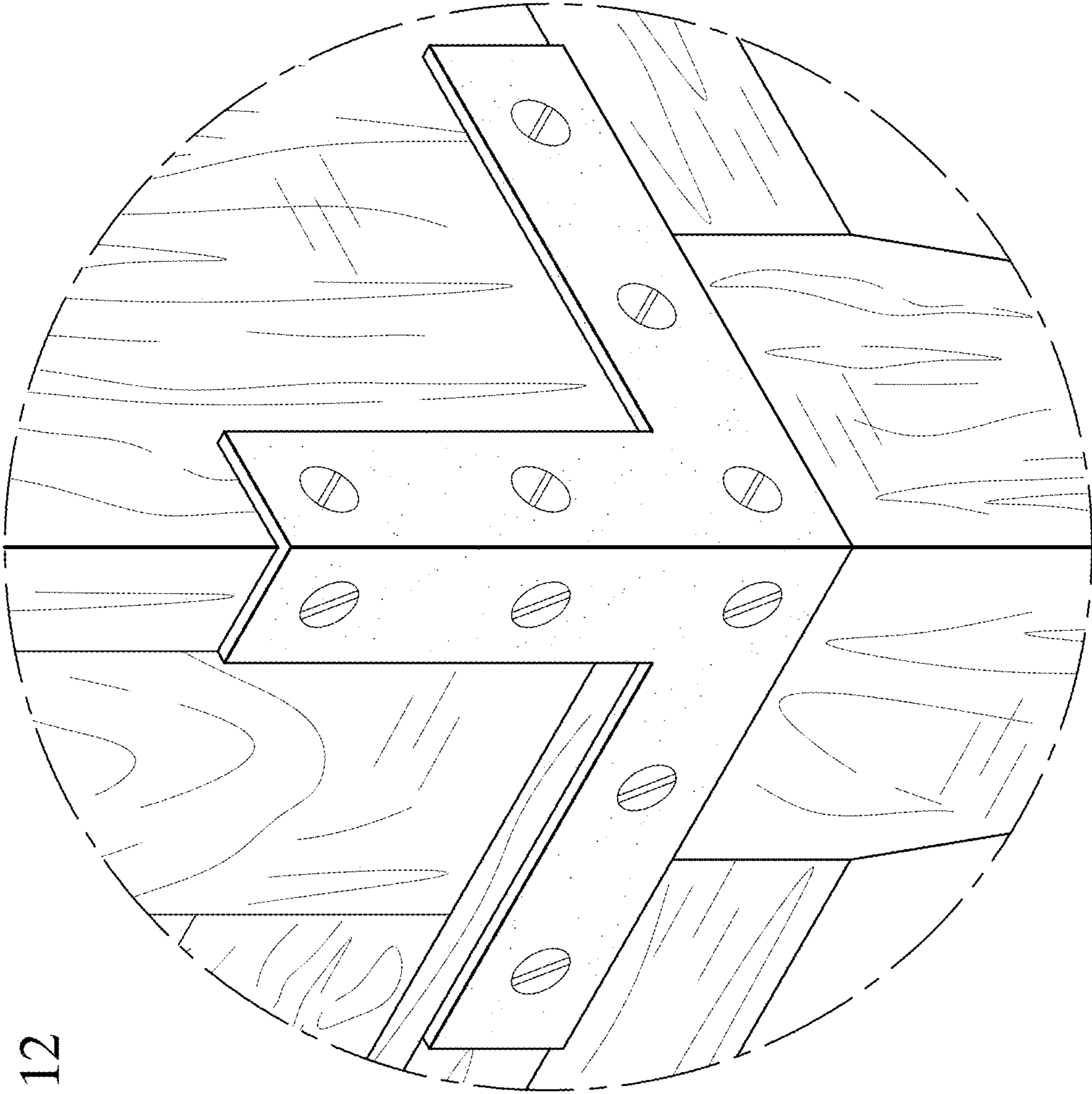


FIG. 12



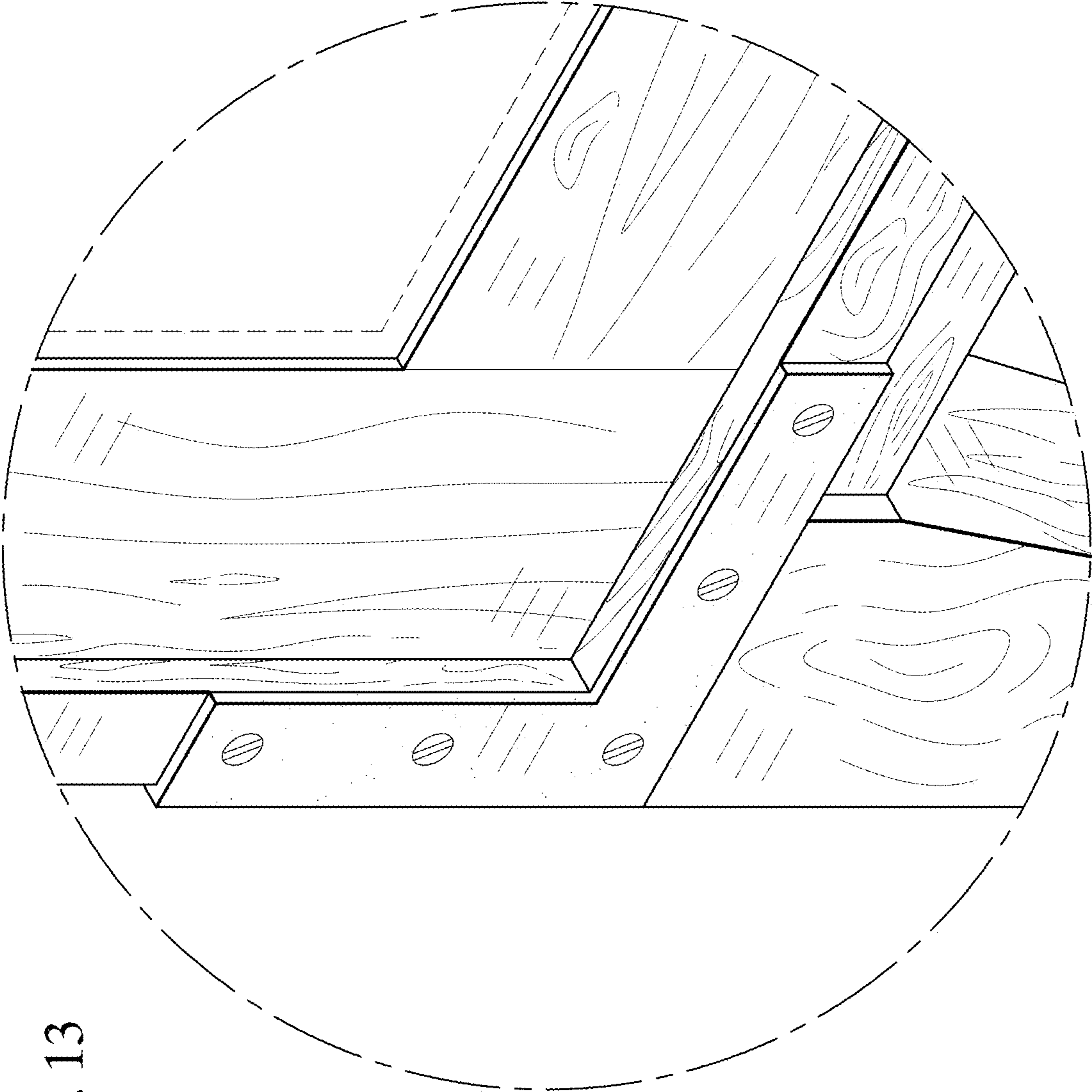


FIG. 13

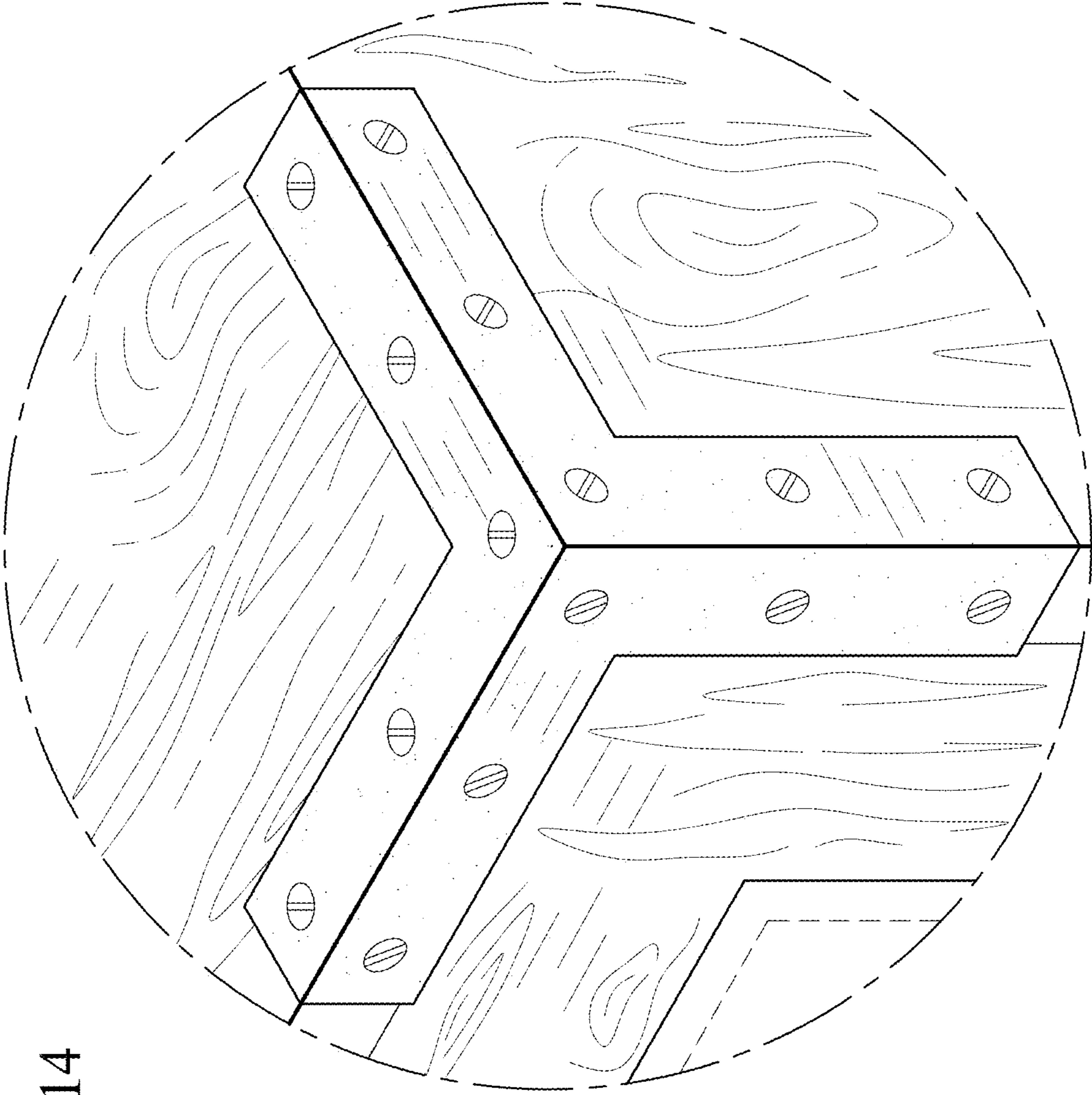


FIG. 14