



US00D925949S

(12) **United States Design Patent** (10) **Patent No.:** **US D925,949 S**
Wang (45) **Date of Patent:** **** Jul. 27, 2021**

(54) **OFFICE DESK**
(71) Applicant: **Huakun Wang**, Zhanjiang (CN)
(72) Inventor: **Huakun Wang**, Zhanjiang (CN)
(**) Term: **15 Years**
(21) Appl. No.: **29/764,810**

D861,383 S * 10/2019 Hu D6/656.17
D877,542 S * 3/2020 Ciapala
D878,814 S * 3/2020 Peng D6/656
D889,169 S * 7/2020 Hu D6/656.16
D908,400 S * 1/2021 Wu D6/656
D910,342 S * 2/2021 Li D6/656
D915,809 S * 4/2021 Ko D6/708
2008/0272266 A1 * 11/2008 Eustace A47B 3/08
248/423
2018/0206630 A1 * 7/2018 Chang A47B 13/081
2020/0221862 A1 * 7/2020 Ko A47B 3/12

(22) Filed: **Jan. 4, 2021**
(51) **LOC (13) Cl.** **06-03**
(52) **U.S. Cl.**
USPC **D6/656**
(58) **Field of Classification Search**
USPC D6/641, 642, 643, 644, 656, 656.11,
D6/656.12, 656.13, 656.16, 656.17, 691,
D6/694, 708
CPC .. A47B 7/00; A47B 9/00; A47B 13/00; A47B
13/02; A47B 13/04; A47B 13/06; A47B
13/08; A47B 17/00; A47B 19/00; A47B
21/00; A47B 2200/0001; A47B
2200/0011; A47B 2200/002
See application file for complete search history.

OTHER PUBLICATIONS

“Amazon Basics Gaming Computer Desk.” Found online Jun. 5, 2021 at www.amazon.com. Product first available Nov. 12, 2019. Retrieved from URL: https://www.amazon.com/-/es/dp/B07QX2BYDH/ref=sbl_dp_x_B092JCZ9DJ_0 (Year: 2019).*

(Continued)

Primary Examiner — Mary Ann Calabrese
Assistant Examiner — Katelin G Kloberg

(57) **CLAIM**

The ornamental design for an office desk, as shown and described.

DESCRIPTION

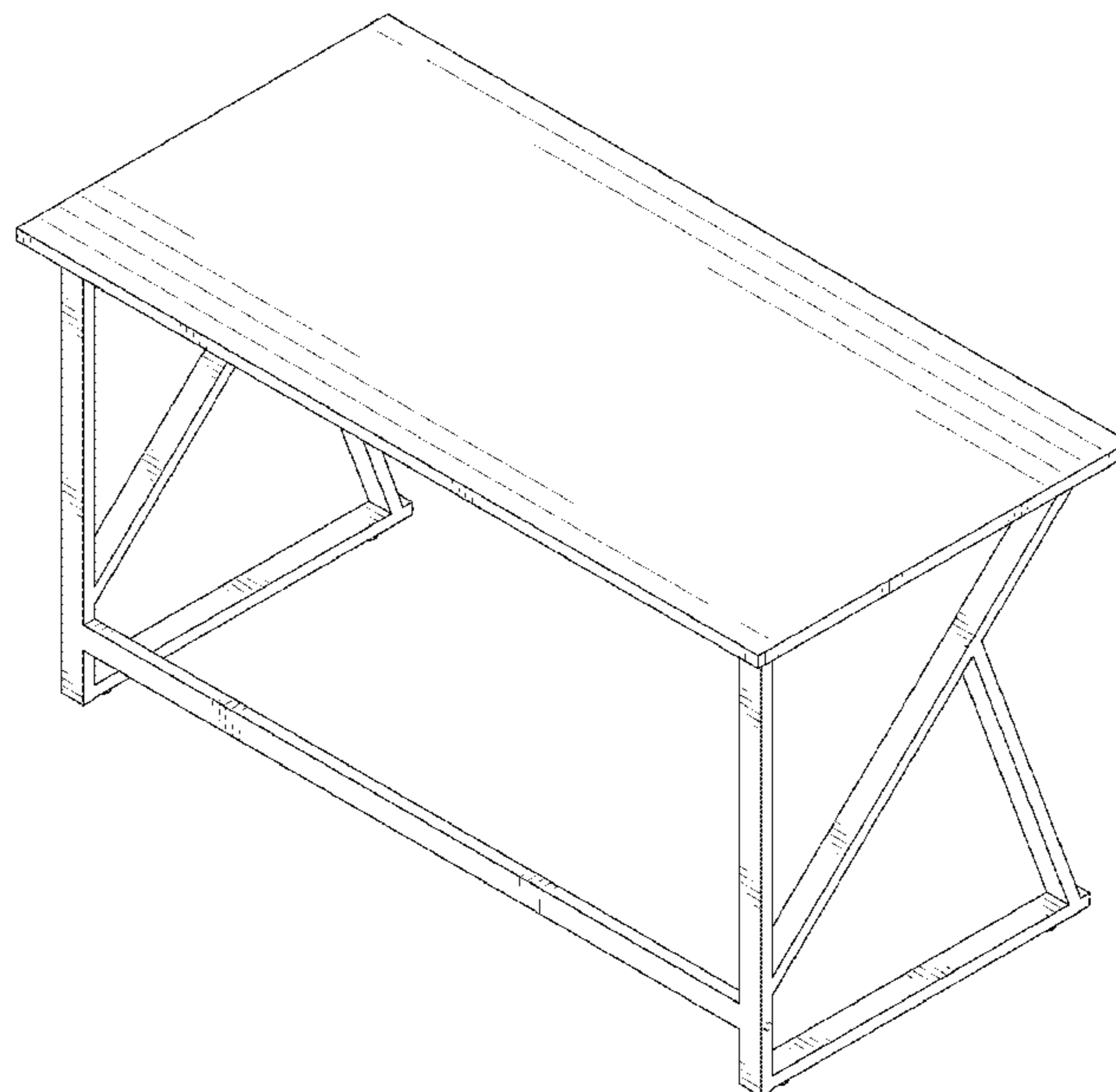
FIG. 1 is a front and top perspective view of an office desk, showing my new design;
FIG. 2 is a rear and bottom perspective view thereof;
FIG. 3 is a front elevation view thereof;
FIG. 4 is a rear elevation view thereof;
FIG. 5 is a left side elevation view thereof;
FIG. 6 is a right side elevation view thereof;
FIG. 7 is a top plan view thereof; and,
FIG. 8 is a bottom plan view thereof.
The broken lines in the figures illustrate portions of the office desk that form no part of the claimed design.

1 Claim, 8 Drawing Sheets

(56) **References Cited**

U.S. PATENT DOCUMENTS

2,702,223 A * 2/1955 Mucher B25H 1/00
248/188.91
4,714,028 A * 12/1987 Uredat-Neuhoff A47B 9/00
108/138
D295,474 S * 5/1988 Uredat-Neuhoff D6/656.16
D336,394 S * 6/1993 Ball D6/656.13
D441,572 S * 5/2001 Deimen D6/656
D574,635 S * 8/2008 Eustace D6/694
D582,180 S * 12/2008 Eustace D6/694
D671,339 S * 11/2012 Nakamura D6/691
8,826,829 B2 * 9/2014 Taylor A47C 9/06
108/34
D806,446 S * 1/2018 Benden D6/656



(56)

References Cited

OTHER PUBLICATIONS

“HSH Rustic Computer Desk.” Found online Jun. 5, 2021 at www.amazon.com. Product first available Dec. 5, 2019. Retrieved from URL: <https://tinyurl.com/njnpxfb> (Year: 2019).*

“Furist K-Type Frame Home Office Desk.” Found online Jun. 5, 2021 at www.amazon.com. Product first available Jul. 18, 2020. Retrieved from URL: <https://www.amazon.com/Computer-Workstation-Simplistic-Durability-Black-47x24x30/dp/B08D757V2X> (Year: 2020).*

“WOHOMO Computer Desk.” Found online Jun. 5, 2021 at www.amazon.com. Product first available Nov. 1, 2020. Retrieved from URL: <https://tinyurl.com/yna5f48k> (Year: 2020).*

“47 inch computer desk.” Found online Jun. 5, 2021 at www.amazon.com. Product first available Jan. 3, 2021. Retrieved from URL: <https://tinyurl.com/whnhk8cn> (Year: 2021).*

* cited by examiner

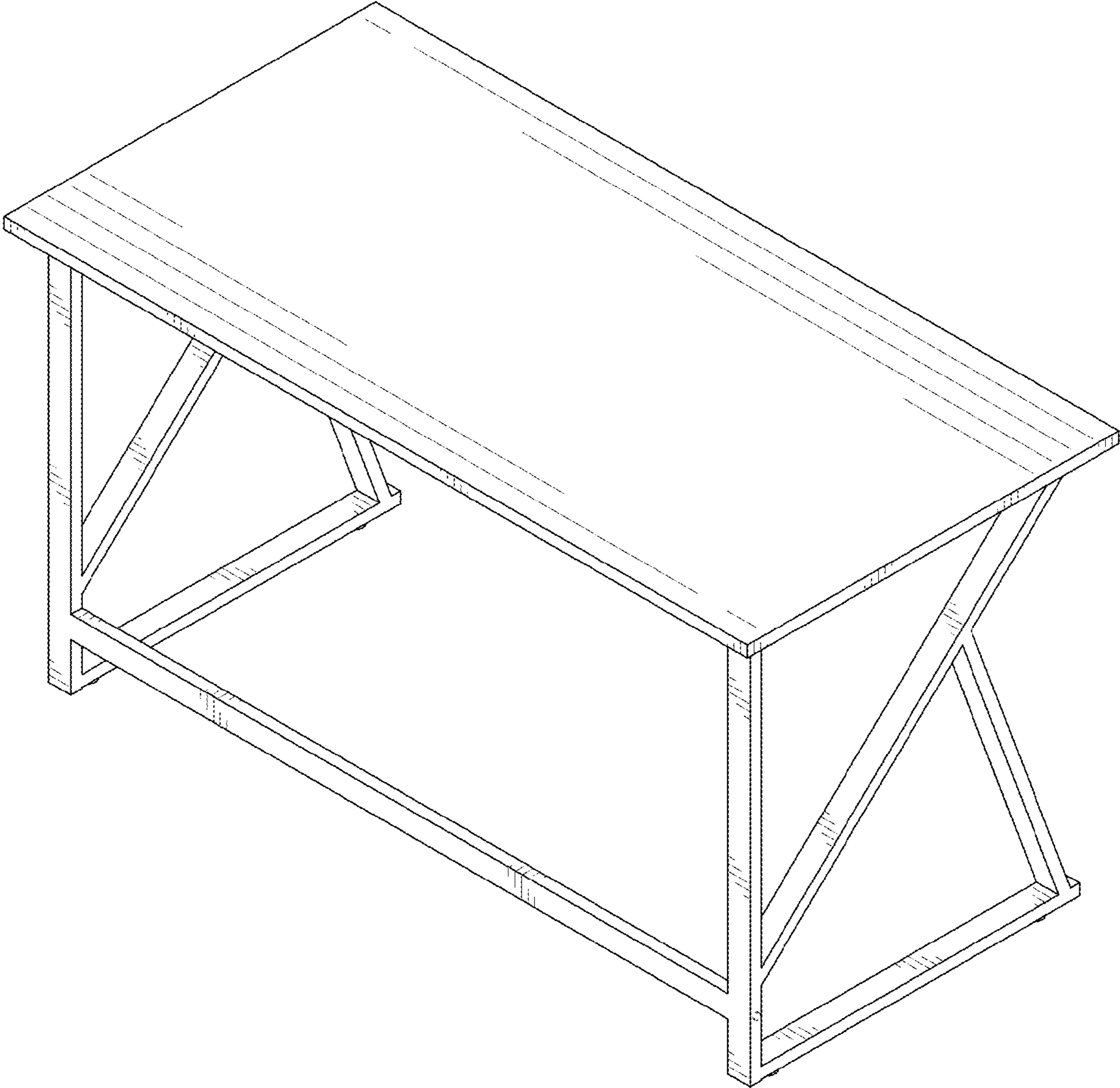


FIG. 1

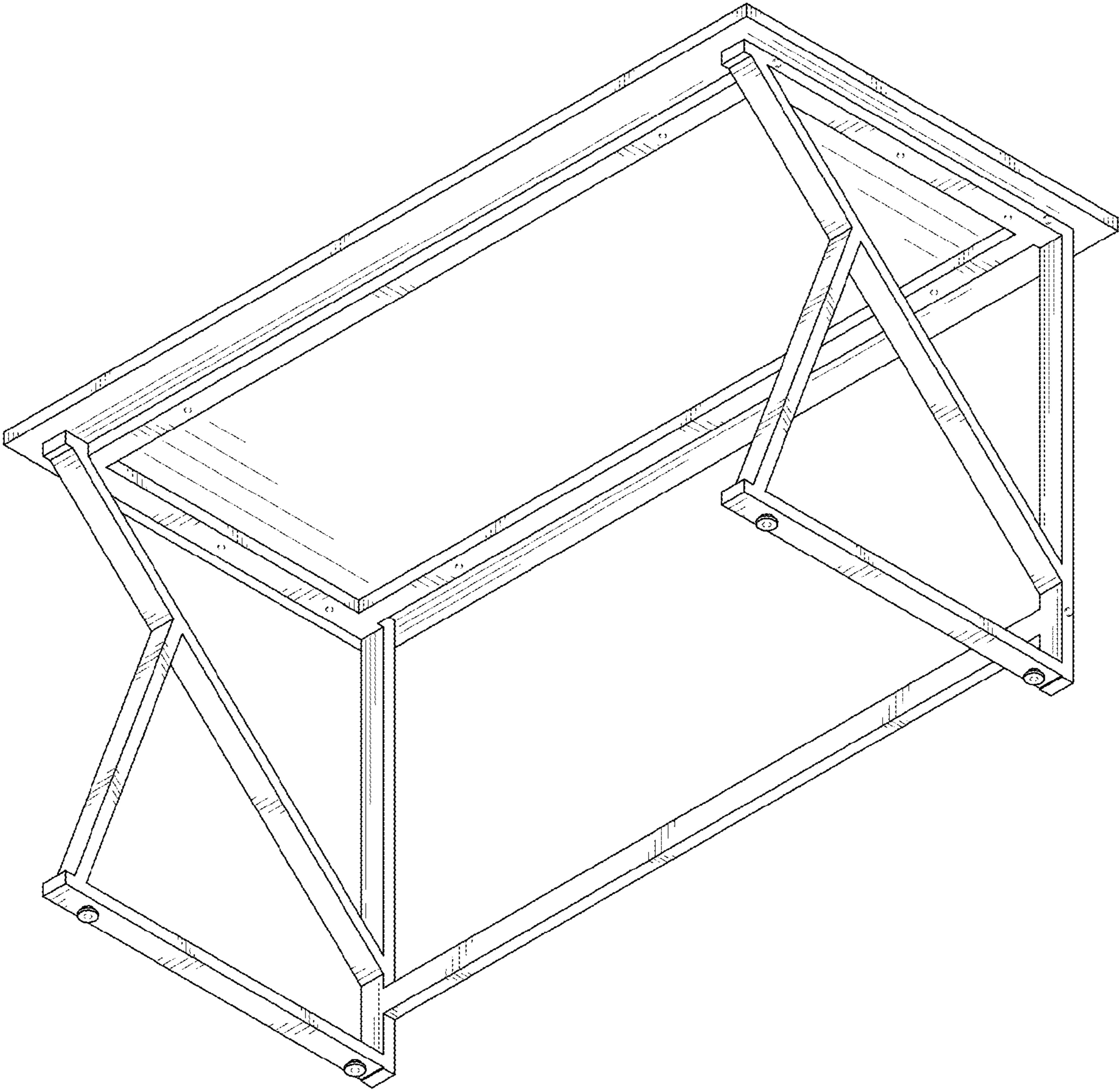


FIG. 2

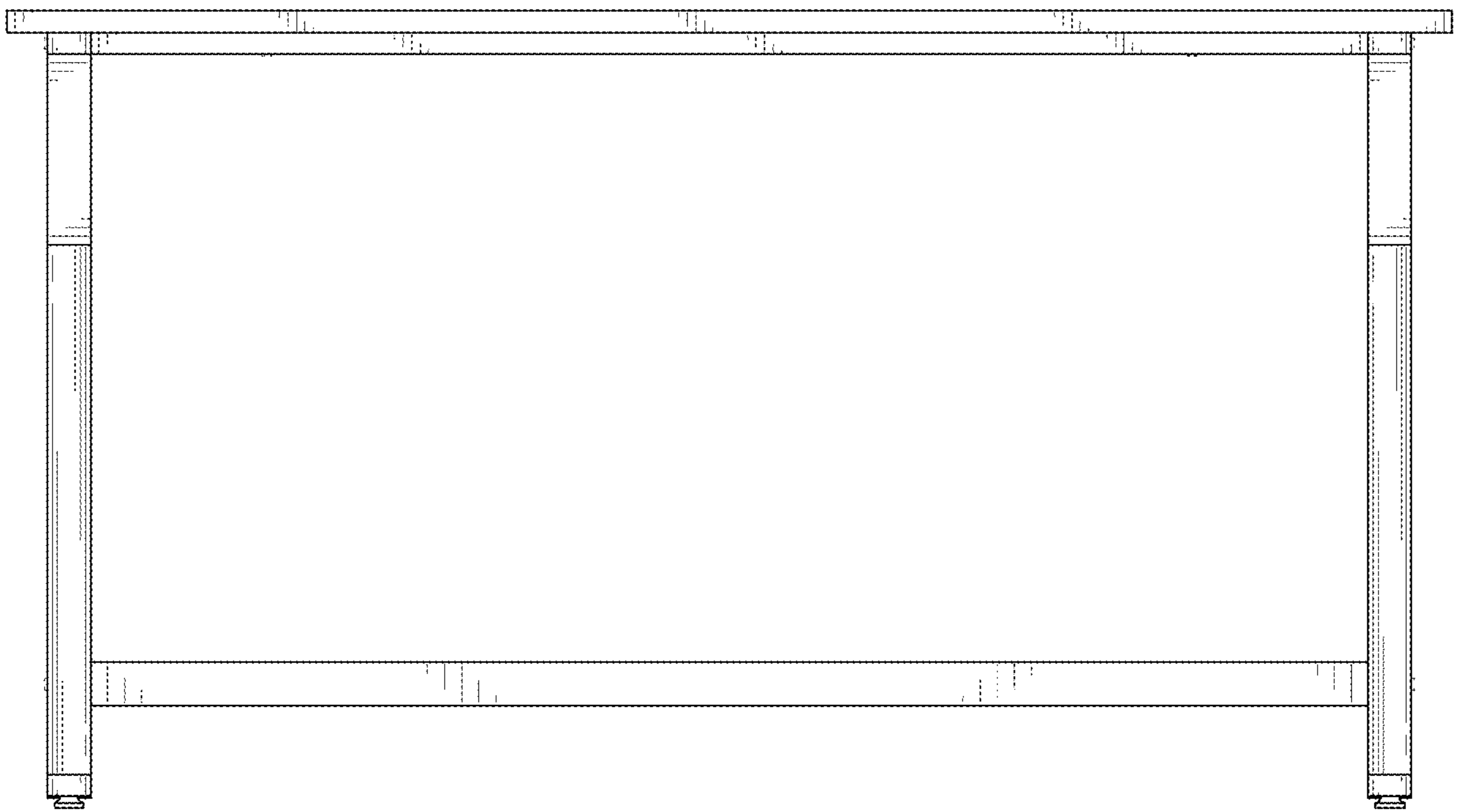


FIG. 3

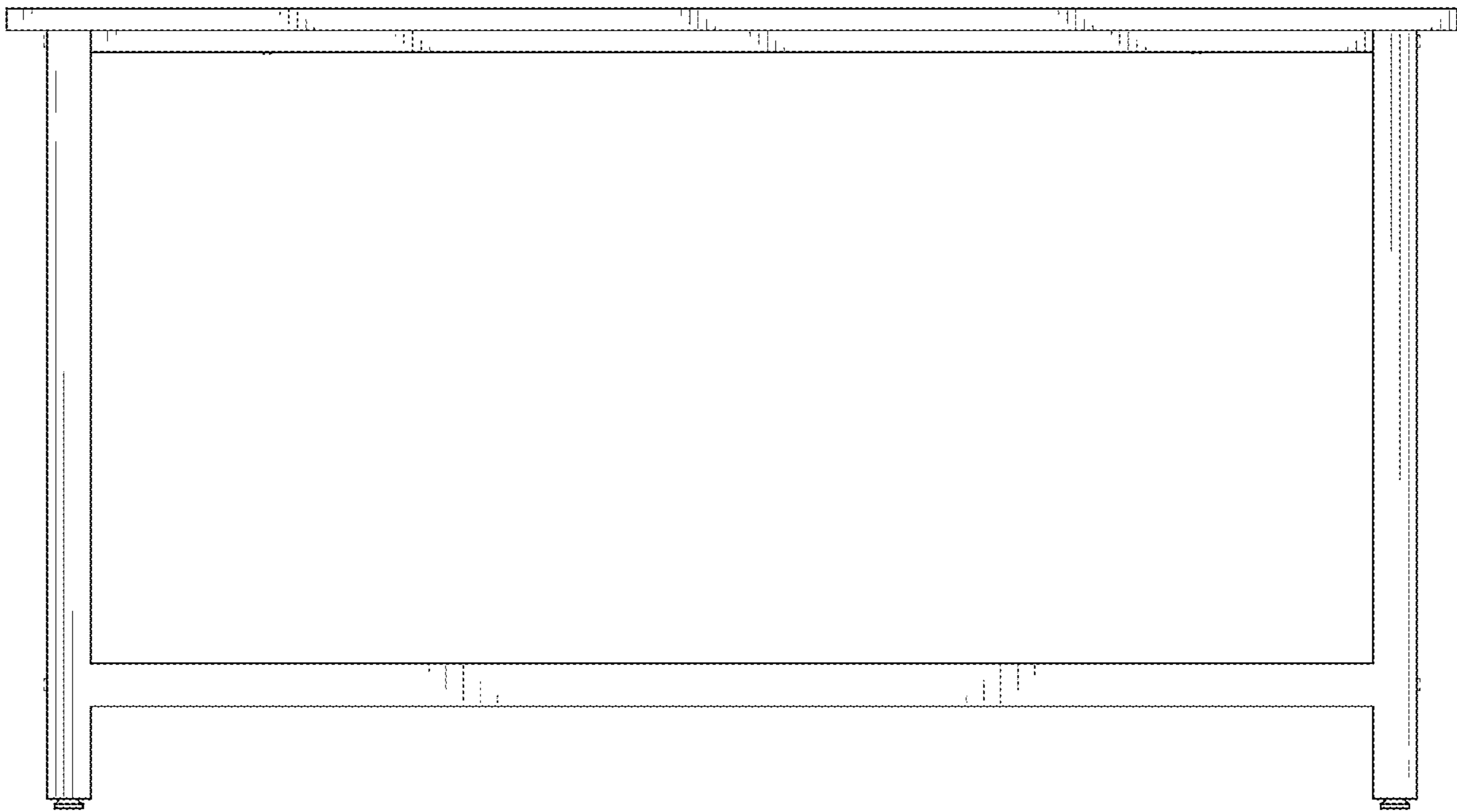


FIG. 4

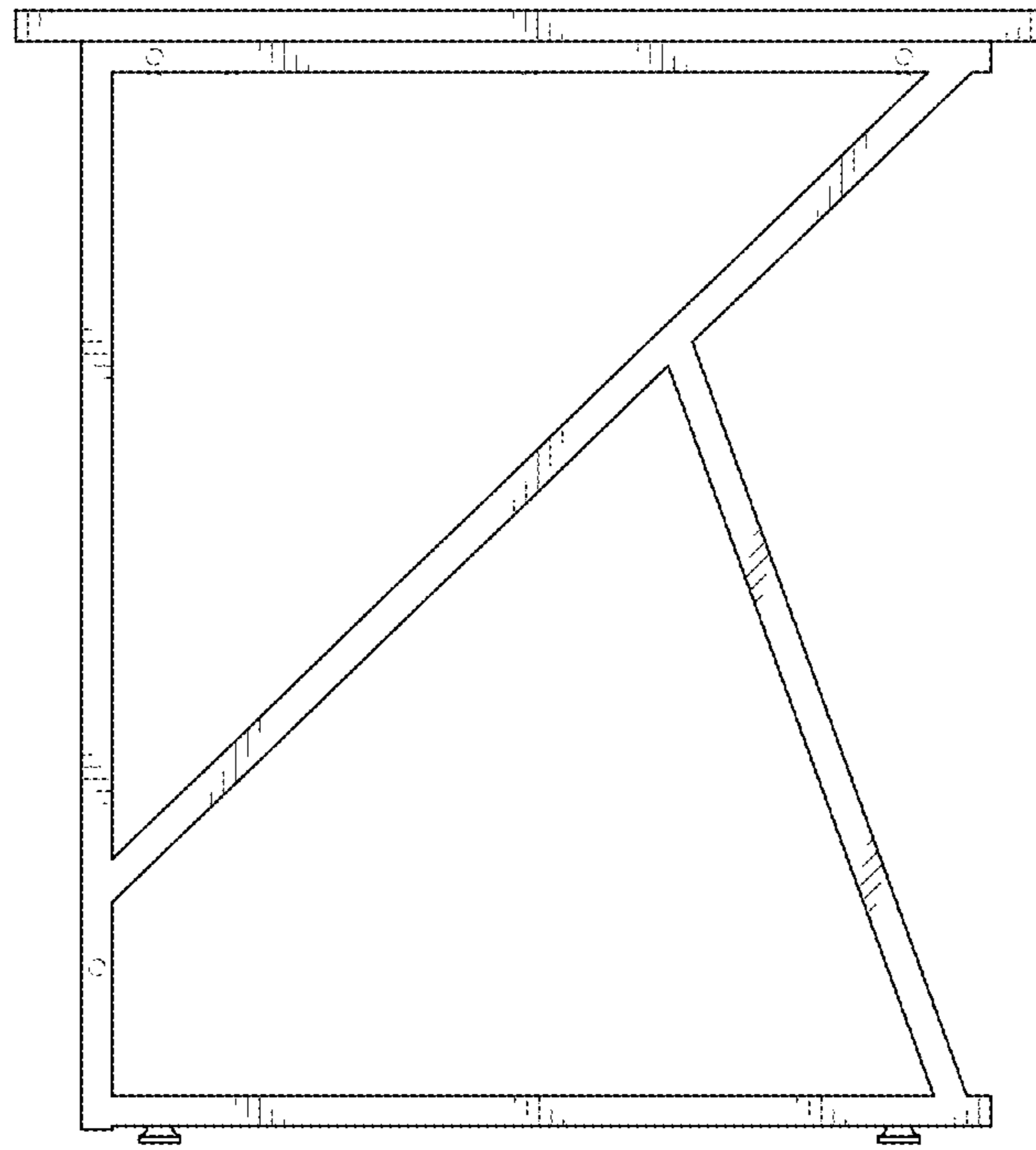


FIG. 5

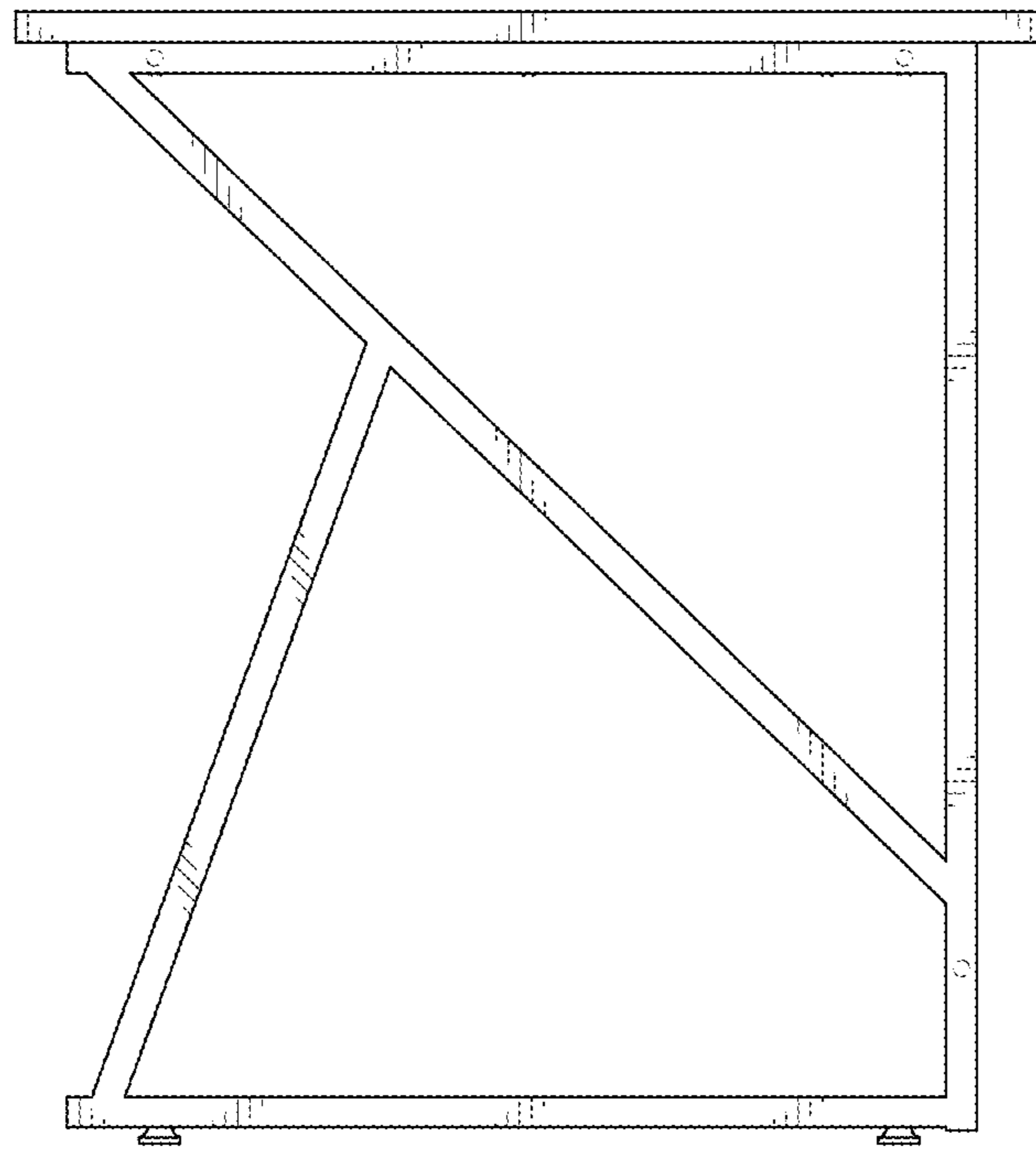


FIG. 6

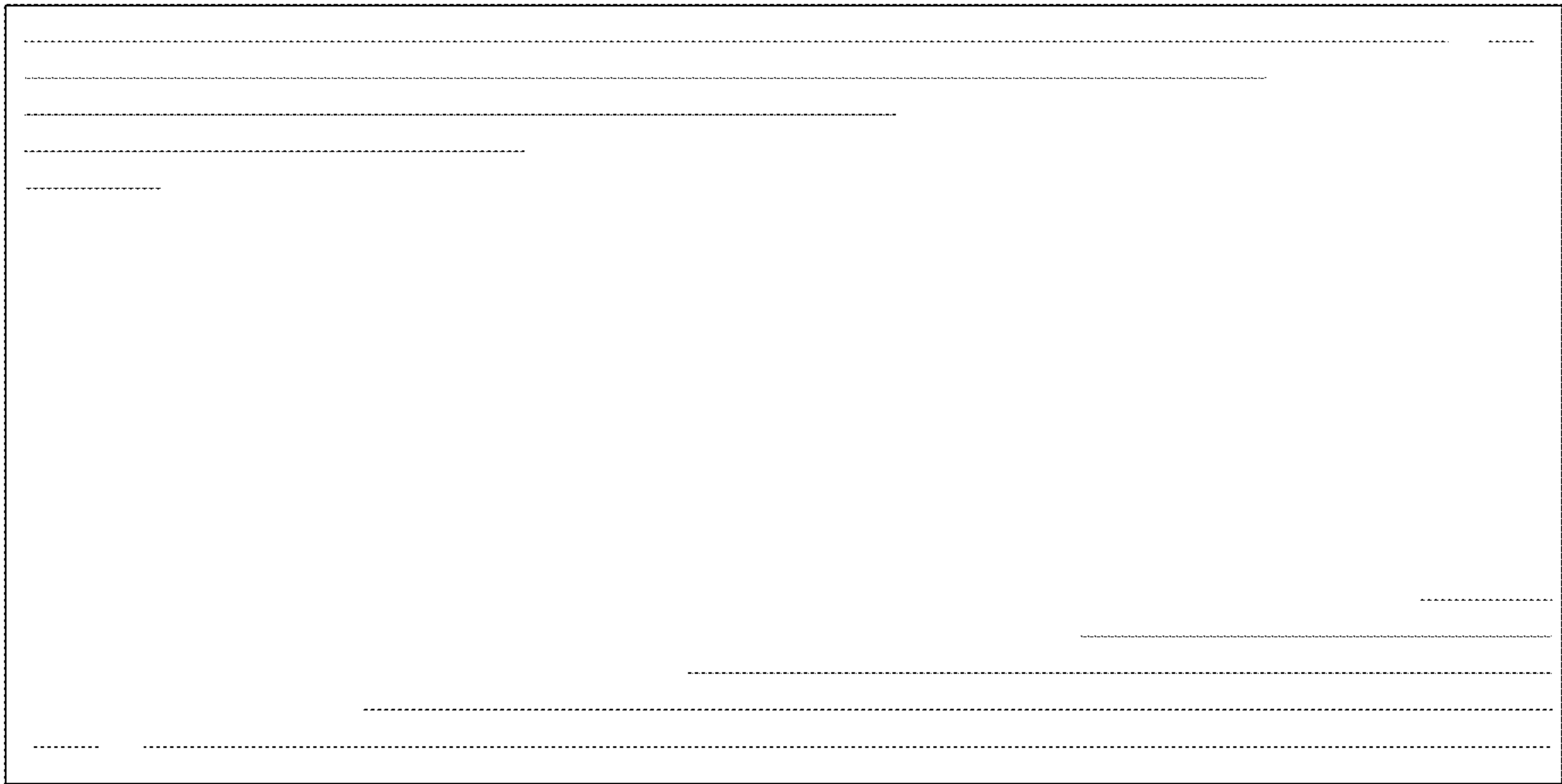


FIG. 7

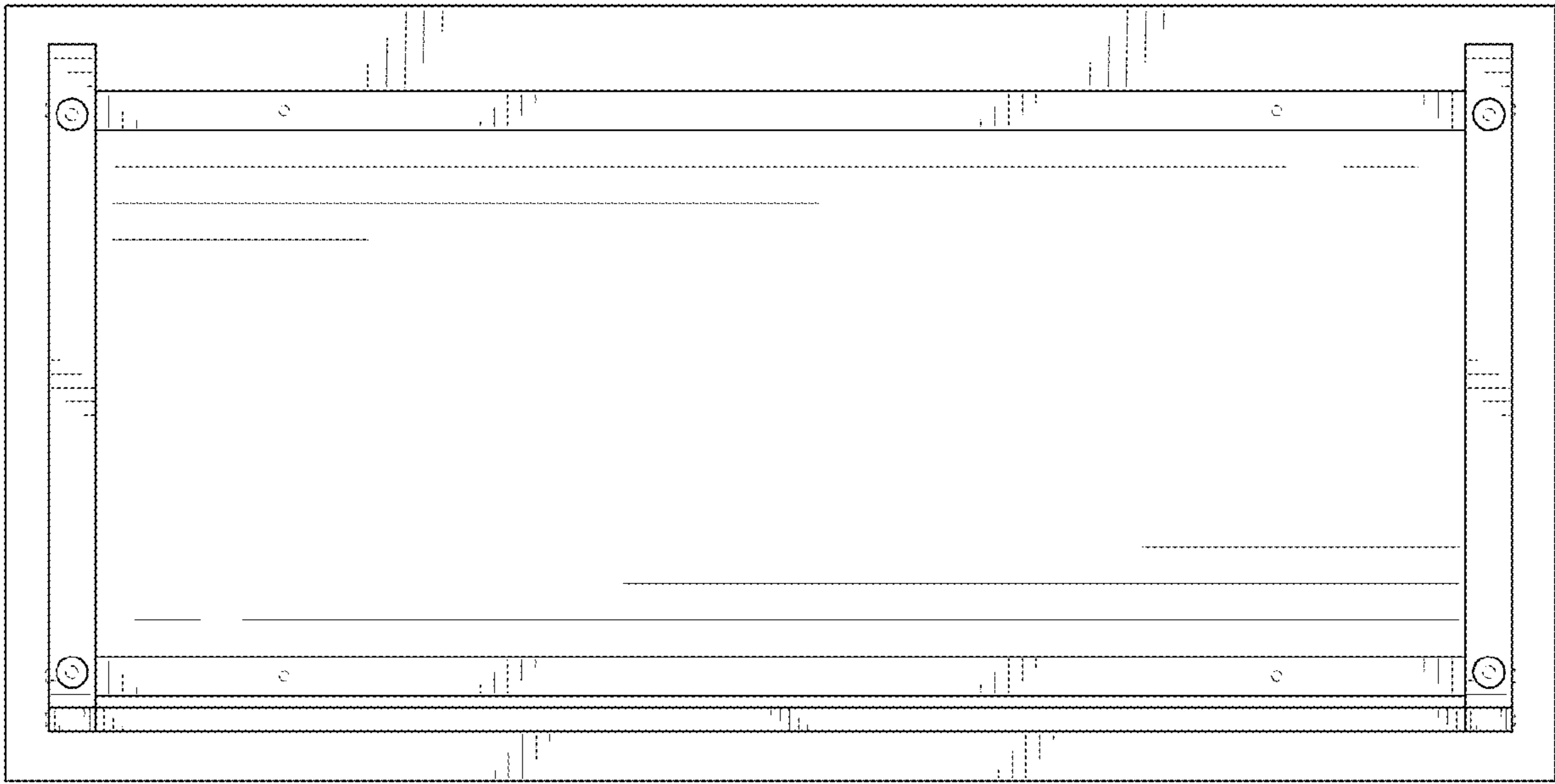


FIG. 8