



US00D925948S

(12) **United States Design Patent** (10) **Patent No.:** **US D925,948 S**
Feng (45) **Date of Patent:** **** Jul. 27, 2021**

(54) **PILLOW** 5,813,065 A * 9/1998 Tinhorn A47G 9/10
5/636
(71) Applicant: **Amazonkey**, Chino, CA (US) D423,860 S * 5/2000 Schlechter D6/601
D465,686 S * 11/2002 Hwong D6/601
(72) Inventor: **ZhenHua Feng**, Chino, CA (US) D474,364 S * 5/2003 Arcieri D6/601
7,082,633 B1 * 8/2006 Maarbjerg A47G 9/10
5/636

(**) Term: **15 Years** (Continued)

(21) Appl. No.: **29/758,419**

FOREIGN PATENT DOCUMENTS

(22) Filed: **Nov. 16, 2020**

CN 304325527 * 10/2017
CN 304786528 * 8/2018

(51) **LOC (13) Cl.** **06-09**

(Continued)

(52) **U.S. Cl.**

USPC **D6/601**

(58) **Field of Classification Search**

USPC D6/595, 596, 597, 600, 601, 603, 604,
D6/605, 606, 608; D24/183, 185, 234;
D21/803, 804, 805, 809

CPC A47G 2009/1018; A47G 2009/003; A47G
9/0253; A47G 9/10; A47G 9/1027; A47G
9/1036; A47G 9/1054; A47G 9/1063;
A47G 9/1072; A47G 9/1081; A47G
9/109; A45F 4/06; A47C 21/06; A47C
7/18; A47C 20/00; A47C 17/80; A47C
17/82; A47C 17/64; A47C 27/00; A47C
27/14; A47C 23/00

See application file for complete search history.

OTHER PUBLICATIONS

Google search: "amazonkey pillow" [site visited Mar. 26, 2021]:
[https://www.google.com/search?q=amazonkey+pillow&tbm=isch&ved=2ahUKEwix_qrks3vAhXtnoQIHZFMCoQ2-cCegQIABAA&oq=amazonkey+pillow&gs_lcp=CgNpbWcQAzoECCMQJzoGC AAQChAYUP0ZWI8sYMMtaABwAHgAgAFKiAGXBJBATiYA QCgAQGqAQtd3Mtd2I6LWItZ8ABAQ&scient=img&ei=QWJdYPHZOe29kvQPkZmp0Ag&bih=1777&biw=1200&rlz=1C1GCEB_enUS799US799 \(Year: 2021\).*](https://www.google.com/search?q=amazonkey+pillow&tbm=isch&ved=2ahUKEwix_qrks3vAhXtnoQIHZFMCoQ2-cCegQIABAA&oq=amazonkey+pillow&gs_lcp=CgNpbWcQAzoECCMQJzoGC AAQChAYUP0ZWI8sYMMtaABwAHgAgAFKiAGXBJBATiYA QCgAQGqAQtd3Mtd2I6LWItZ8ABAQ&scient=img&ei=QWJdYPHZOe29kvQPkZmp0Ag&bih=1777&biw=1200&rlz=1C1GCEB_enUS799US799 (Year: 2021).*)

(Continued)

Primary Examiner — Sanjeev Paul

(74) *Attorney, Agent, or Firm* — Rumit Ranjit Kanakia

(56) **References Cited**

U.S. PATENT DOCUMENTS

D188,891 S * 9/1960 Emery D6/601
D188,892 S * 9/1960 Emery D6/601
2,958,769 A * 11/1960 Bounds A47G 9/1045
455/344
D195,020 S * 4/1963 Emery D6/599
3,312,987 A * 4/1967 Emery A47G 9/1054
5/644
3,667,074 A * 6/1972 Emery A47G 9/109
5/636
D285,512 S * 9/1986 Bool D6/596
D316,353 S * 4/1991 Dobson D6/601
D318,203 S * 7/1991 Zaghini D6/601
D367,199 S * 2/1996 Graebe D6/596
D381,232 S * 7/1997 Jansson 5/636

(57) **CLAIM**

I claim the ornamental design for a pillow, as shown and described.

DESCRIPTION

FIG. 1 is a Perspective view of a pillow showing my new design in open position;
FIG. 2 is Front view thereof;
FIG. 3 is Back view thereof;
FIG. 4 is a Right-side view thereof;
FIG. 5 is a Left-side view thereof;

(Continued)

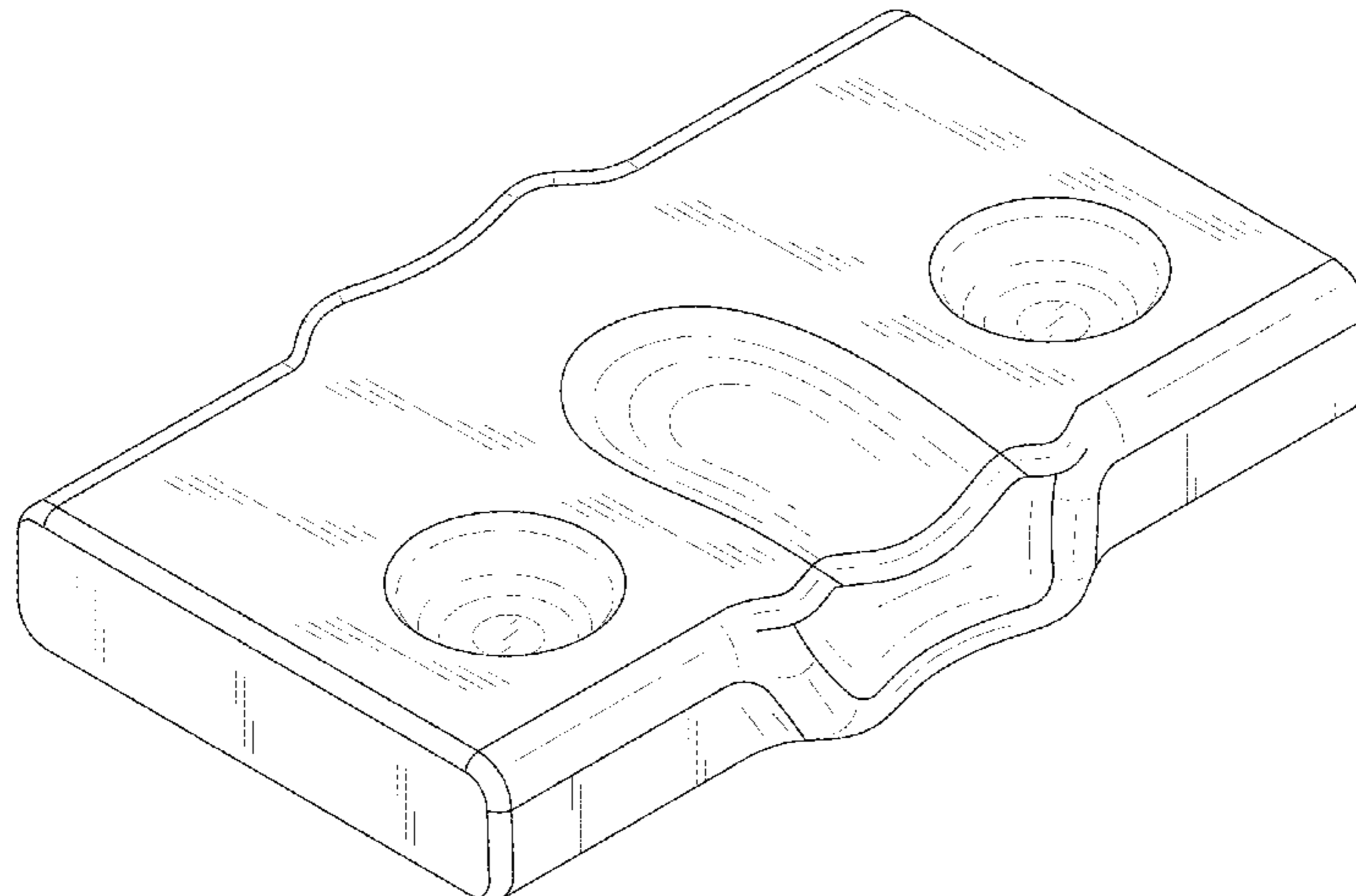


FIG. 6 is a Top view thereof; and,
FIG. 7 is a Bottom view thereof.

1 Claim, 7 Drawing Sheets

(56)

References Cited

U.S. PATENT DOCUMENTS

D529,325 S * 10/2006 Maarbjerg D6/601
D616,237 S * 5/2010 Ydremark D6/601
D645,693 S * 9/2011 Rothbard D6/601
8,161,588 B1 * 4/2012 Anson A47G 9/109
5/636
D668,092 S * 10/2012 Davis D6/601
D688,897 S * 9/2013 Yang D6/601
D688,898 S * 9/2013 Yang D6/601
D701,399 S 3/2014 Gatto
D701,711 S * 4/2014 Silvas D6/601
D707,358 S * 6/2014 Mantilla D24/184
D716,072 S * 10/2014 Rose D6/601
9,009,897 B2 * 4/2015 Davis A61G 7/072
5/636
D731,208 S * 6/2015 Fux D6/601
D732,312 S * 6/2015 Tiffin D6/601
D732,313 S * 6/2015 Fux D6/601
9,138,084 B1 * 9/2015 Namolovan A47G 9/007
D750,397 S * 3/2016 Werner D6/601
D752,900 S * 4/2016 Ueno D6/601
D756,687 S * 5/2016 Durkin D6/601
D759,406 S * 6/2016 Peterson D6/601
D759,991 S * 6/2016 Jing D6/601
D794,356 S 8/2017 McWilliams et al.
D808,194 S * 1/2018 Wyborn D6/601
D812,931 S * 3/2018 Chen D6/601
D829,470 S * 10/2018 Huang D6/601
D836,363 S * 12/2018 Cornelius D6/601
D839,026 S * 1/2019 Huang D6/601
D856,028 S * 8/2019 Zou D6/601
D856,707 S * 8/2019 Wilt D6/601
D859,886 S 9/2019 Baeseman
D867,021 S * 11/2019 Yang D6/601
D869,196 S * 12/2019 Shin D6/601
D871,109 S * 12/2019 Haw D6/601
D874,185 S 2/2020 Massie
D875,434 S * 2/2020 Yang D6/601
D876,127 S * 2/2020 Park D6/601

D880,195 S * 4/2020 Yang D6/601
D881,603 S * 4/2020 Yang D6/601
D887,175 S * 6/2020 Loos A47G 9/10
D6/601
D889,884 S * 7/2020 Ouyang D6/601
D898,427 S * 10/2020 Chen D6/601
D898,428 S * 10/2020 Huang D6/601
D898,429 S * 10/2020 Huang D6/601
D905,471 S * 12/2020 Ou D6/601
D908,391 S * 1/2021 Yang D6/601
D908,393 S * 1/2021 Yang D6/601
10,881,226 B1 * 1/2021 Ou A47G 9/10
D909,791 S * 2/2021 Wang D6/601
D912,437 S * 3/2021 Yang D6/601
D913,012 S * 3/2021 Krishtul D6/601
D913,013 S * 3/2021 Rensin D6/601
2009/0211031 A1 * 8/2009 Kloes A47G 9/10
5/640
2011/0094033 A1 * 4/2011 Lee B29C 44/1271
5/636

FOREIGN PATENT DOCUMENTS

CN 305016340 * 1/2019
CN 305754948 * 5/2020
CN 305816367 * 6/2020
CN 306037429 * 9/2020
CN 306102120 * 10/2020
CN 306221250 * 12/2020

OTHER PUBLICATIONS

Google search: "GREHOME pillow" [site visited Mar. 26, 2021]:
https://www.google.com/search?q=GREHOME+pillow&rlz=1C1GCEB_enUS799US799&sxsrf=ALeKk02mo16ynFH-llsuNsmahndtJAxlA:1616732388074&source=lnms&tbm=isch&sa=X&ved=2ahUKEwic_L-9jc3vAhV6FVkfFWX_CDwQ_AUoAnoECAEQBA&biw=1200&bih=1777 (Year: 2021).*

Google search: "foam pillow" [site visited Mar. 26, 2021]: https://www.google.com/search?q=foam+pillow&tbm=isch&ved=2ahUKEwji5t2Vhs3vAhUIZ98KHZpBBYgQ2-cCegQIABAA&oq=foam+pillow&gs_lcp=CgNpbWcQAzIECAAQzICCAyAggAMgIIADICCAyAggAMgIIADICCAyAggAMgIIADoGCAAQBx AeULEUWJ0jYPQmaAJwAHgAgAFOiAHtA5IBATeYAQCgAQ GqAQtnD3Mtd2I6LWItZ8ABAQ&sclient=img&ei=OVIdYKLMjYjO_Qaag5XACA&bih=1777&biw=1200 (Year: 2021).*

* cited by examiner

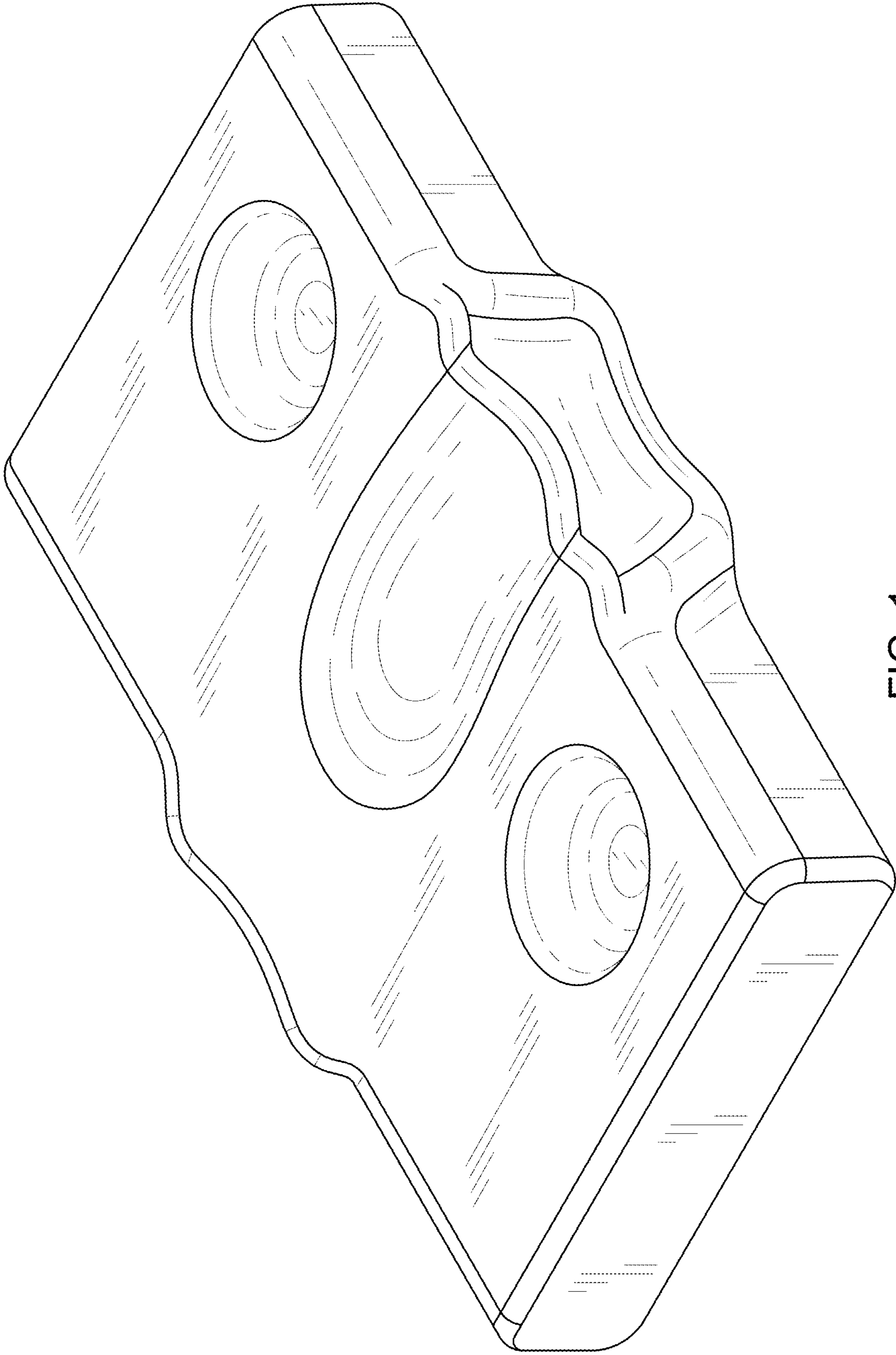


FIG. 1

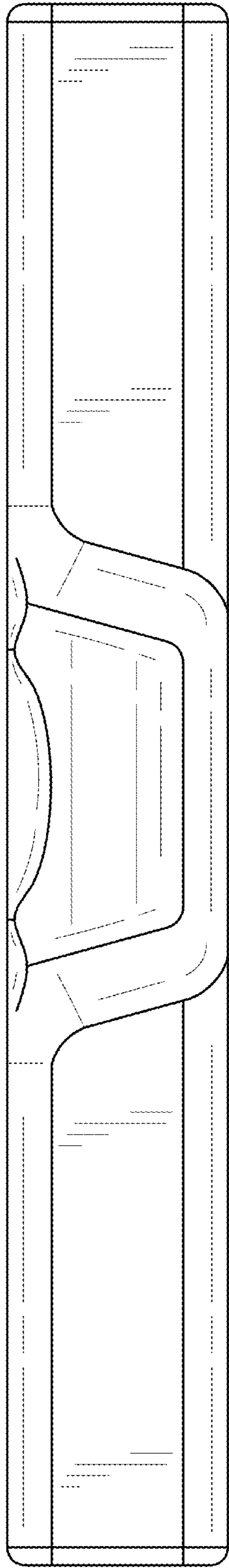


FIG. 2

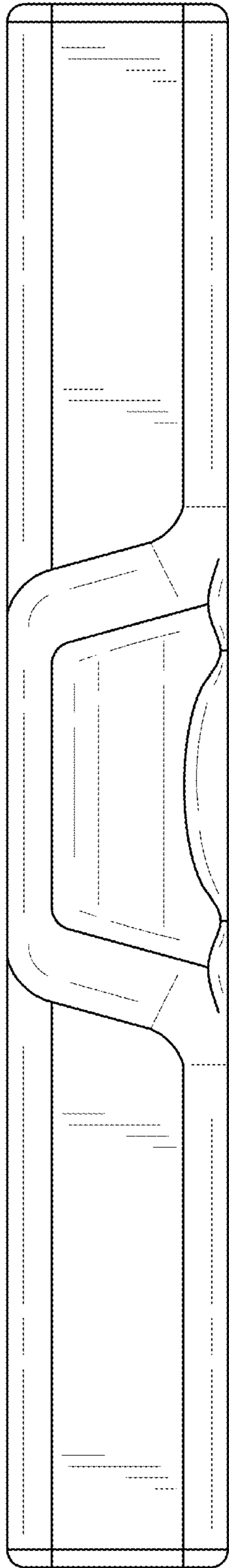


FIG. 3

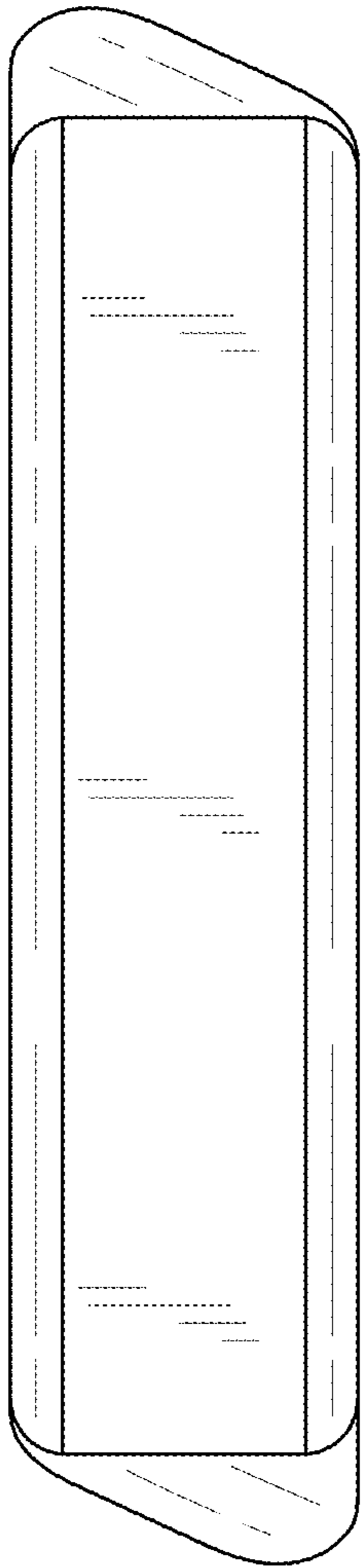


FIG. 4

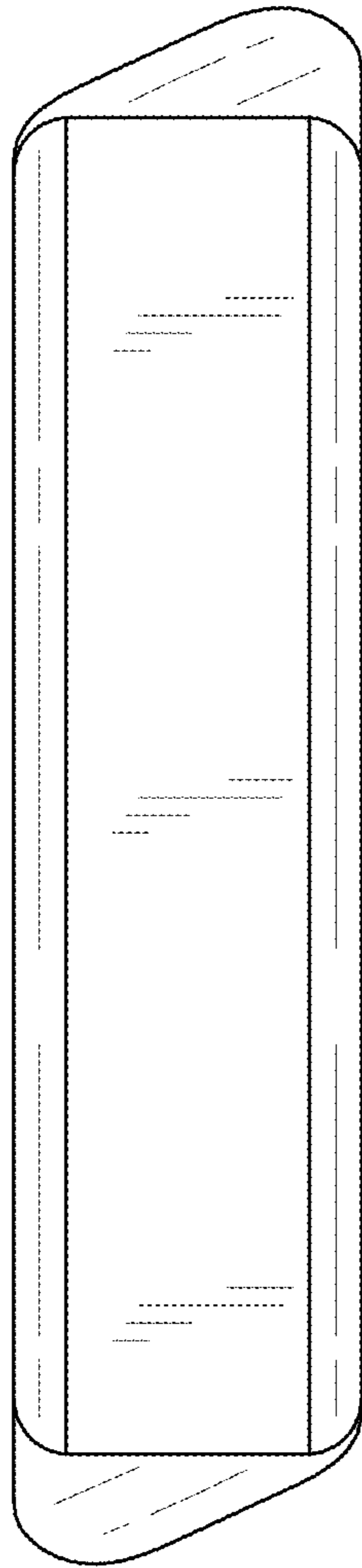


FIG. 5

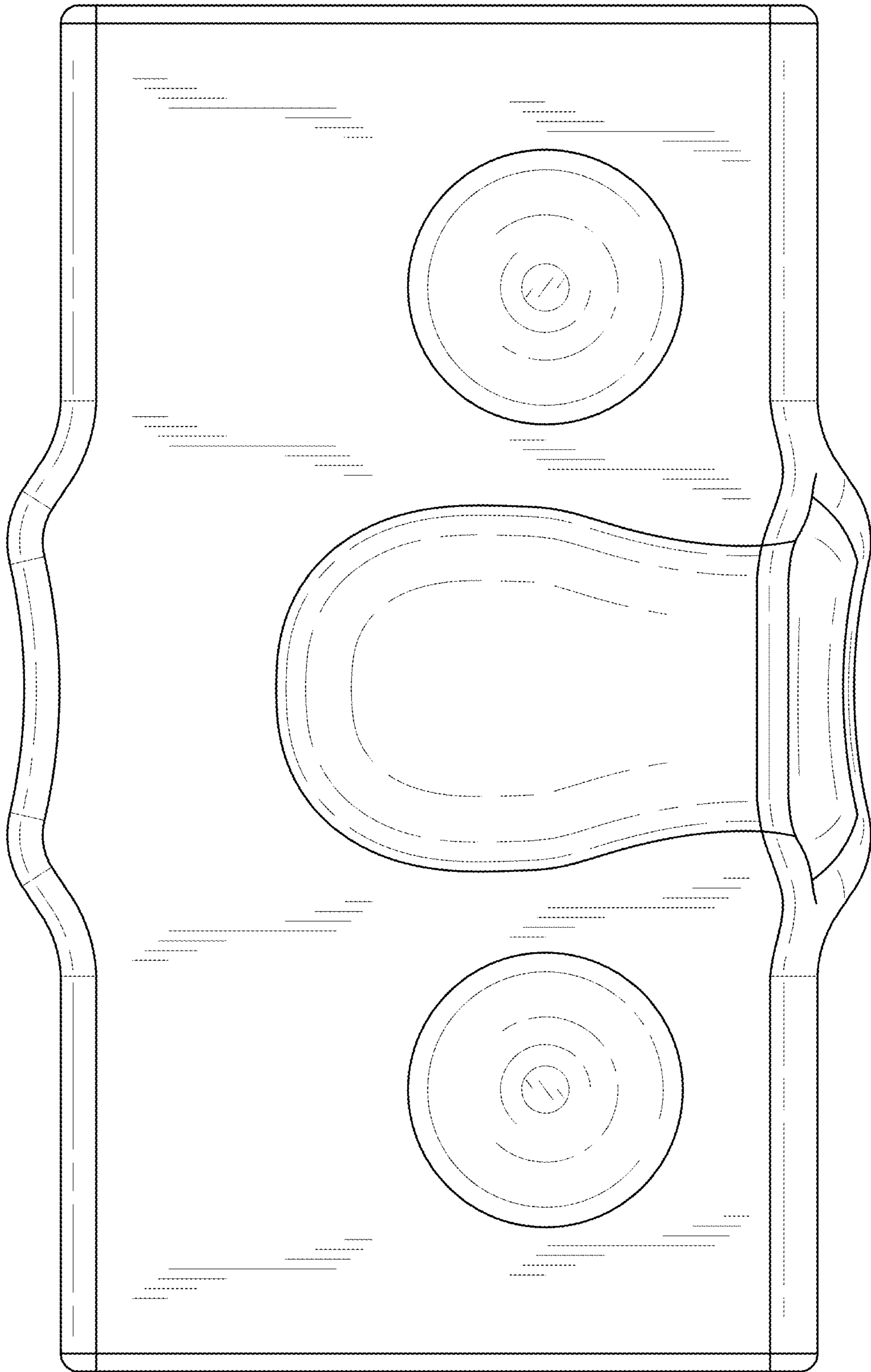


FIG. 6

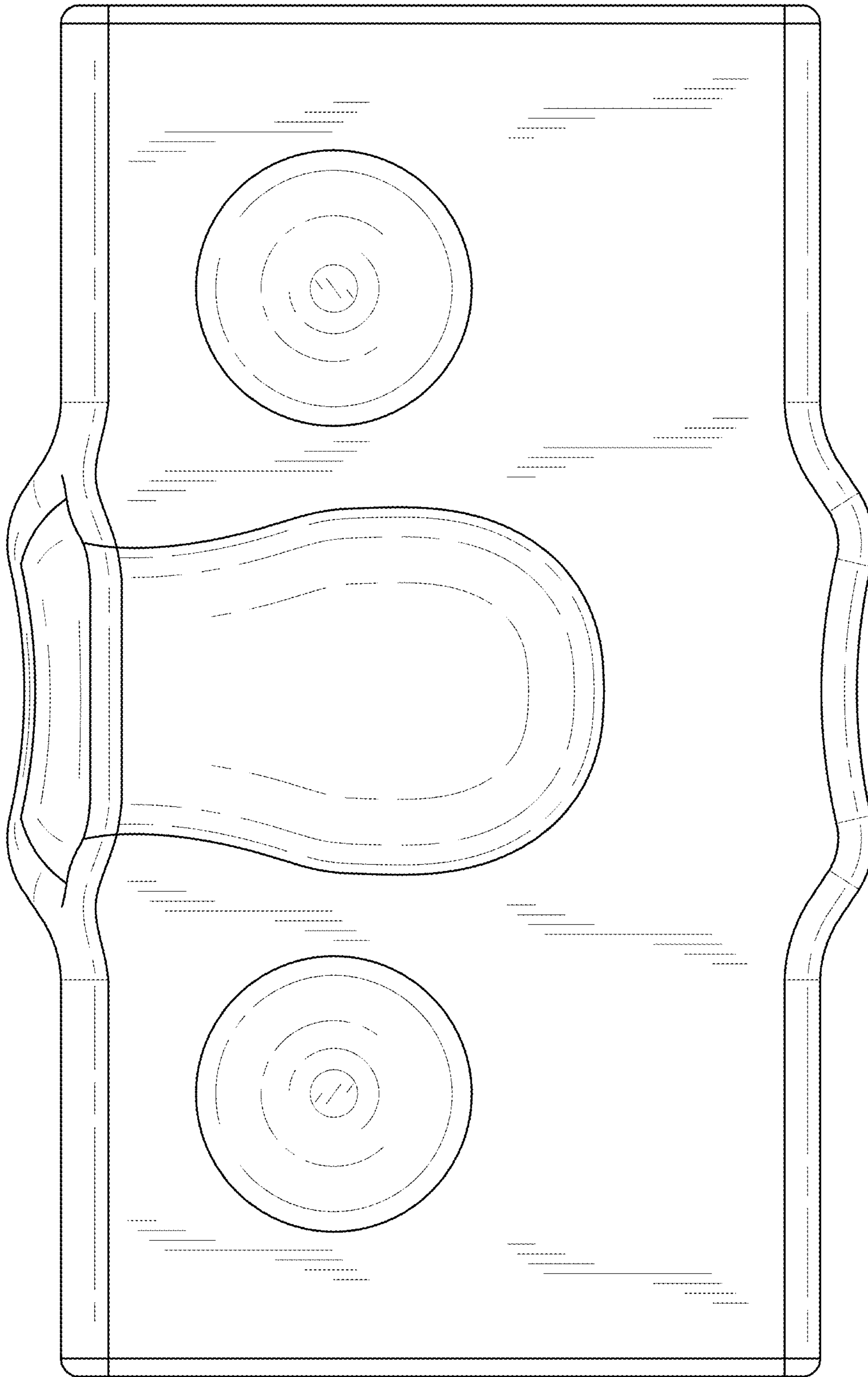


FIG. 7