



US00D925946S

(12) **United States Design Patent**  
**Chen**

(10) **Patent No.:** **US D925,946 S**

(45) **Date of Patent:** **\*\* Jul. 27, 2021**

(54) **STORAGE RACK**

(71) Applicant: **Shenzhen Youerpai Network Technology Co., Ltd., Shenzhen (CN)**

(72) Inventor: **Shilong Chen, Hunan Province (CN)**

(\*\*) Term: **15 Years**

(21) Appl. No.: **29/774,821**

(22) Filed: **Mar. 19, 2021**

(51) **LOC (13) Cl.** ..... **06-04**

(52) **U.S. Cl.**  
USPC ..... **D6/574**

(58) **Field of Classification Search**  
USPC ..... D6/513, 511, 514, 524, 525, 536, 540,  
D6/566, 570, 562, 574; D19/90;  
211/13.1, 70.6, 70.7, 71.01, 74, 75, 86.01,  
211/88.01, 90.01, 90.03, 106, 119, 126.1,  
211/133.5, 134, 181.1; 248/302;  
D3/315; D7/601, 637  
CPC ..... A47K 17/00; A47K 3/281; A47K 3/001;  
B23P 17/04; A47B 57/265; A47B 57/565;  
A47B 57/26  
See application file for complete search history.

(56) **References Cited**

**U.S. PATENT DOCUMENTS**

D291,755 S \* 9/1987 Chap ..... D6/566  
D295,247 S \* 4/1988 Chap ..... D6/566

D472,750 S \* 4/2003 Clucas ..... D6/525  
D497,070 S \* 10/2004 Tipping ..... D6/566  
D773,207 S \* 12/2016 Tsai ..... D6/566  
D883,719 S 5/2020 Li  
D890,548 S \* 7/2020 Cai ..... D6/574

\* cited by examiner

*Primary Examiner* — Wan Laymon  
*Assistant Examiner* — Mark Booker

(57) **CLAIM**

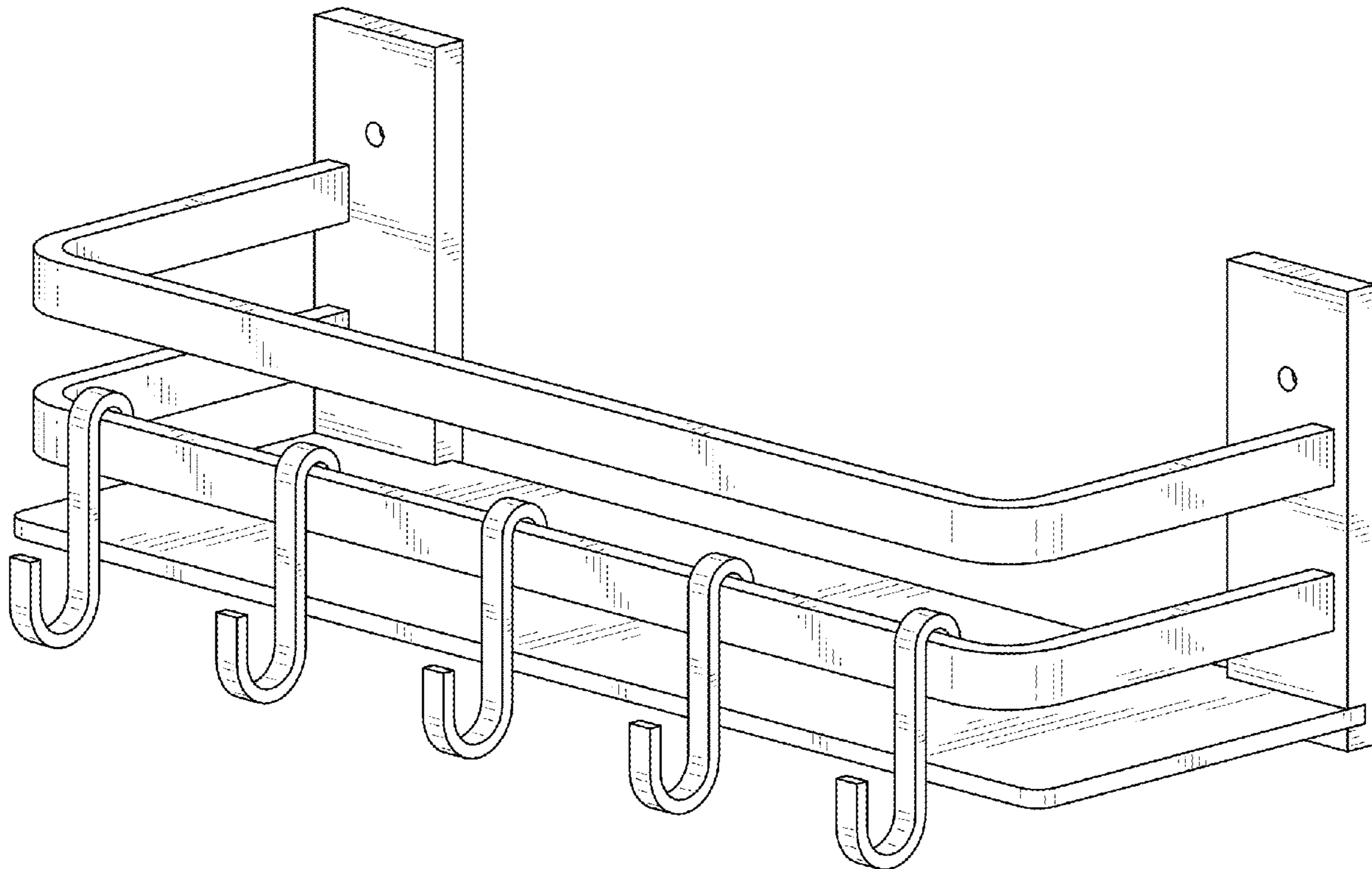
The ornamental design for a storage rack, as shown and described.

**DESCRIPTION**

FIG. 1 is a front and top perspective view of a storage rack, showing my new design;  
FIG. 2 is a front elevation view thereof;  
FIG. 3 is a rear elevation view thereof,  
FIG. 4 is a left side elevation view thereof;  
FIG. 5 is a right side elevation view thereof;  
FIG. 6 is a top plan view thereof;  
FIG. 7 is a bottom plan view thereof, and,  
FIG. 8 is a perspective view thereof, shown in a using position.

The broken lines in FIGS. 3 and 7 illustrate portions of the storage rack that form no part of the claimed design. The broken line in FIG. 8 represents environment and forms no part of the claimed design.

**1 Claim, 8 Drawing Sheets**



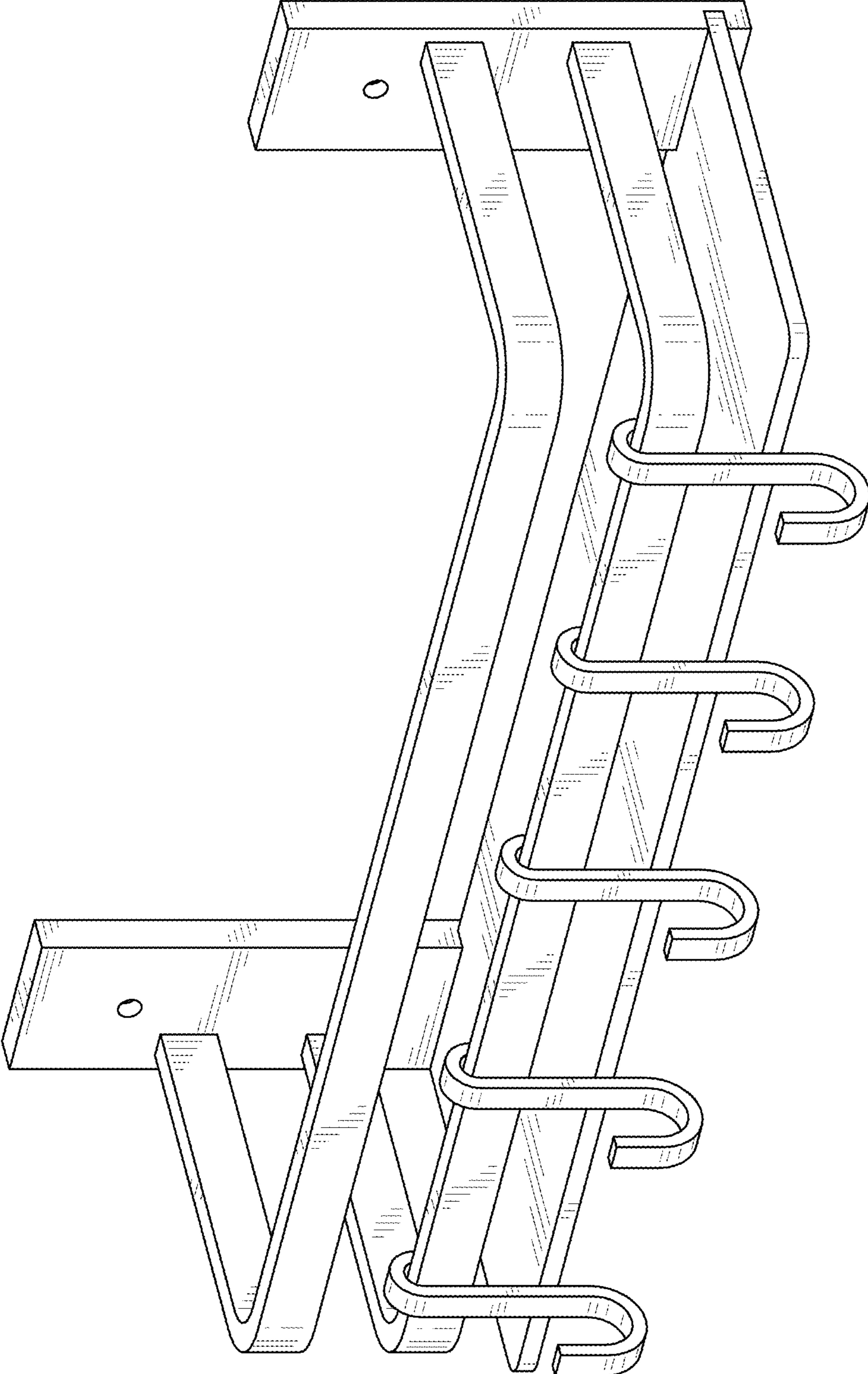


FIG.1

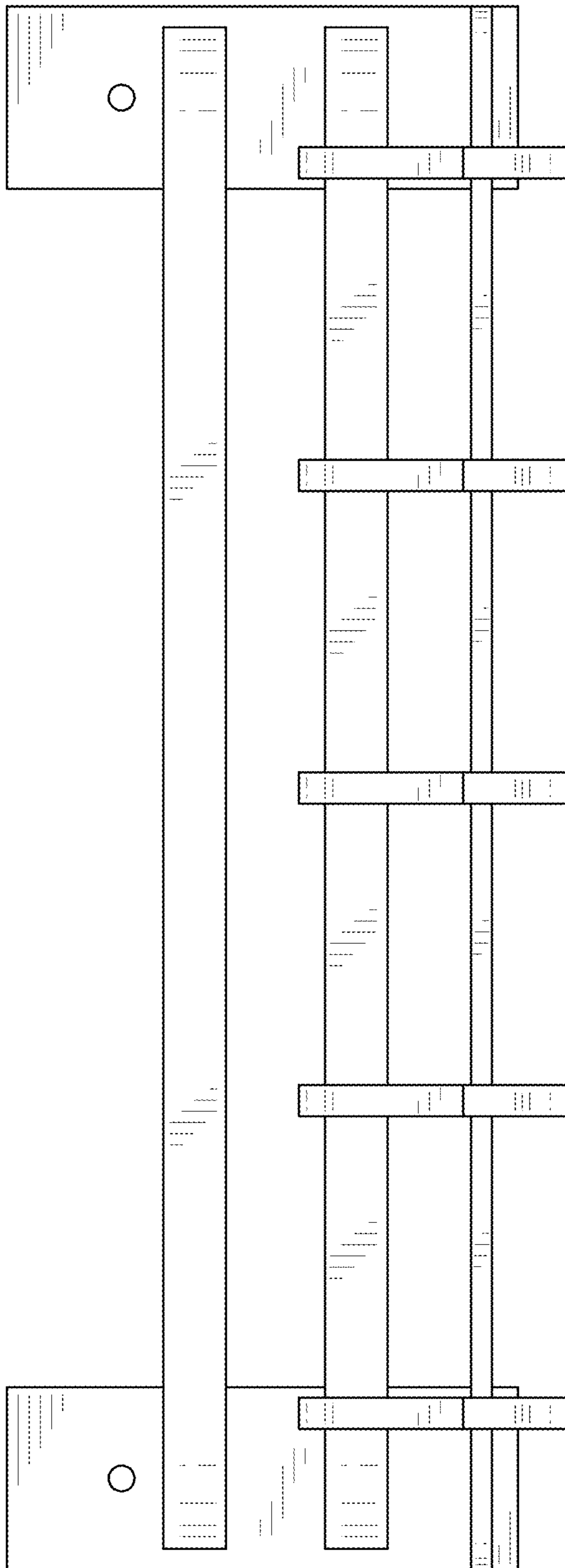


FIG.2

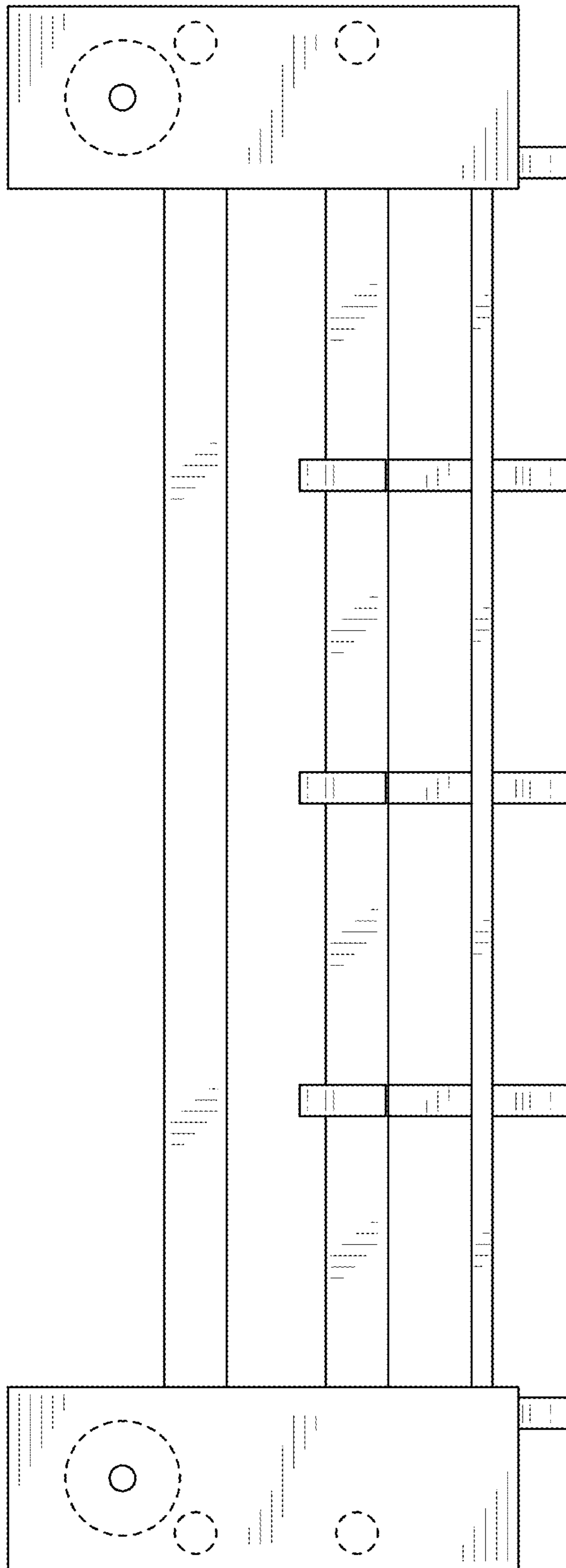


FIG.3

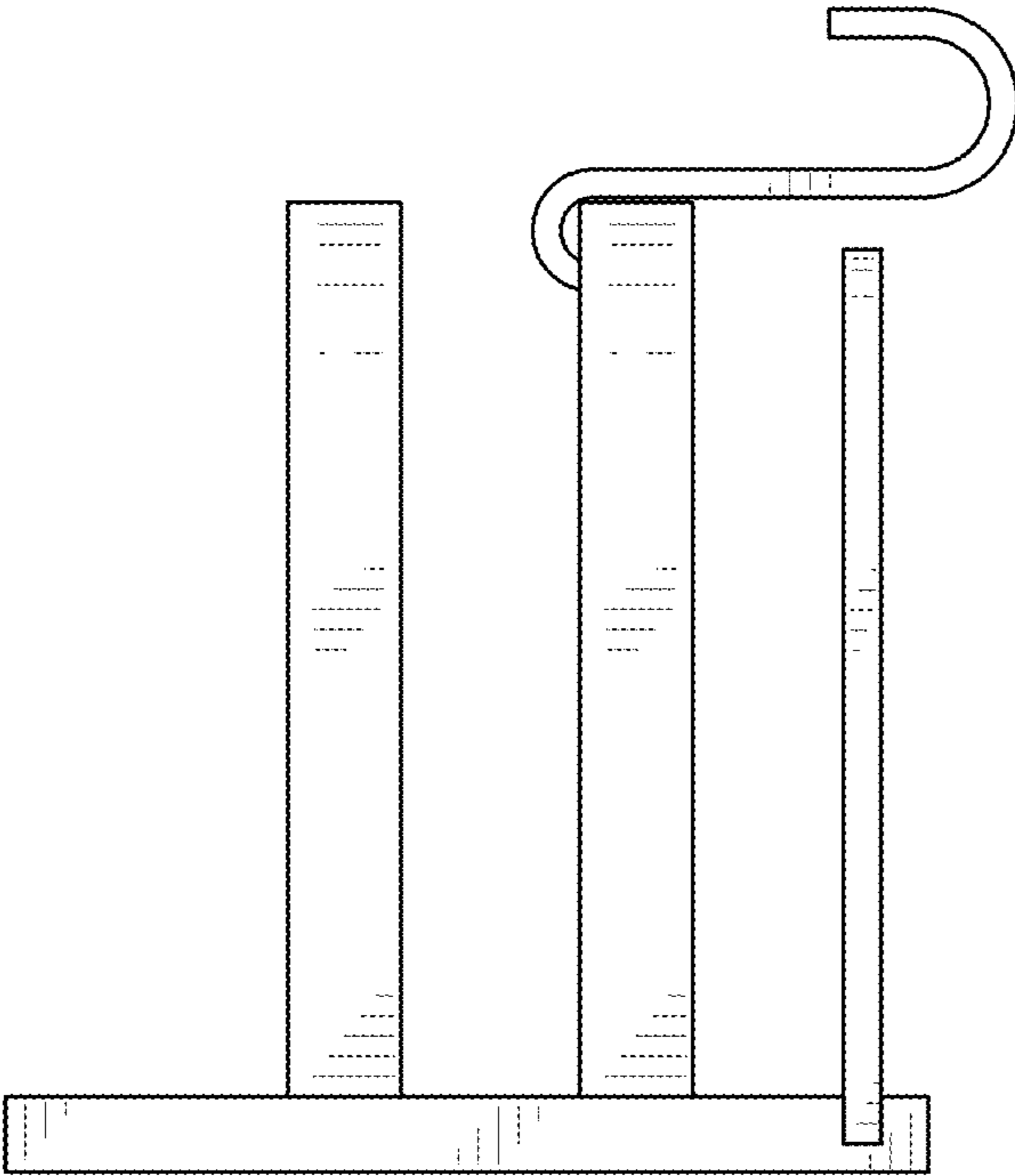


FIG.4

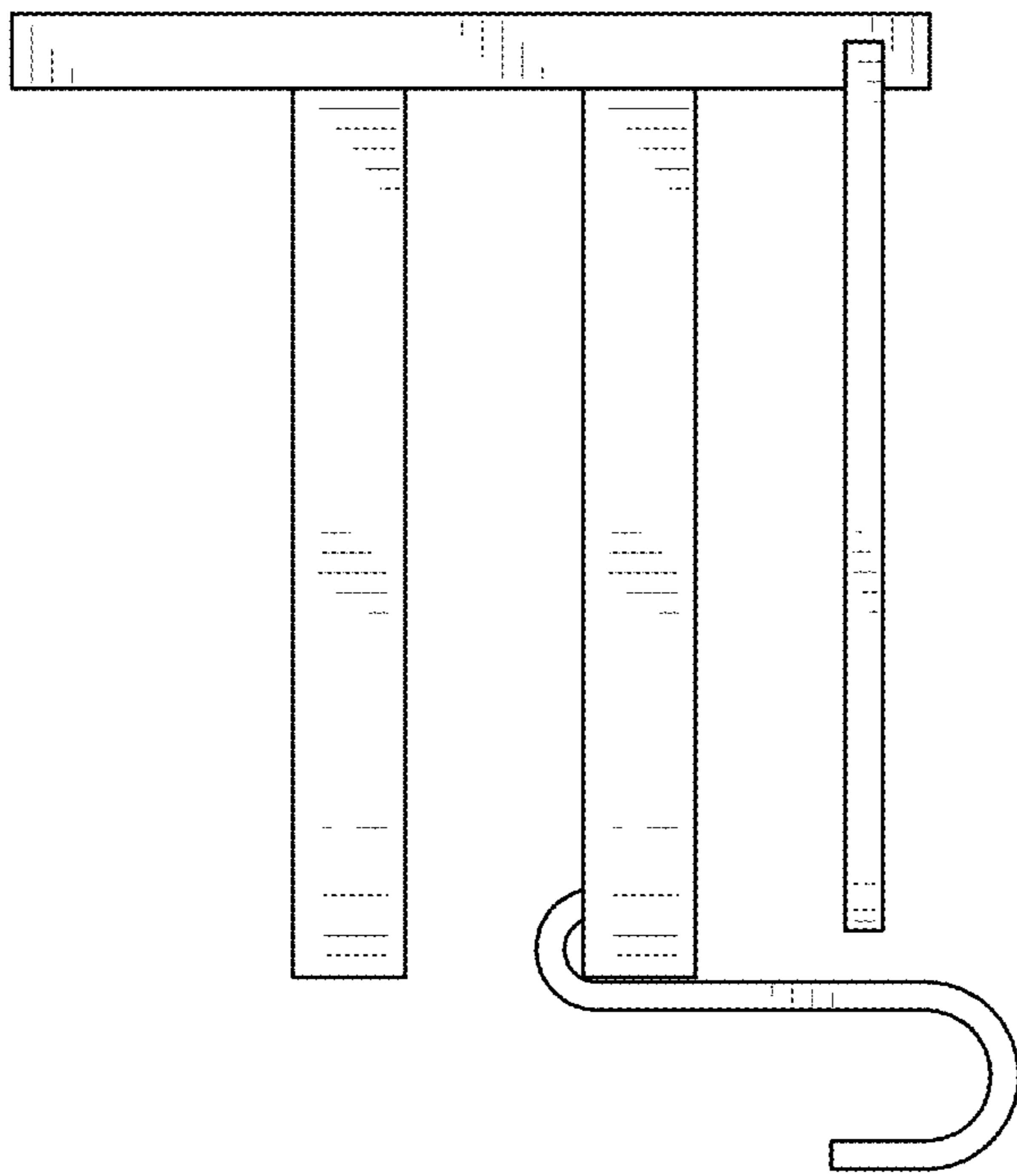


FIG.5

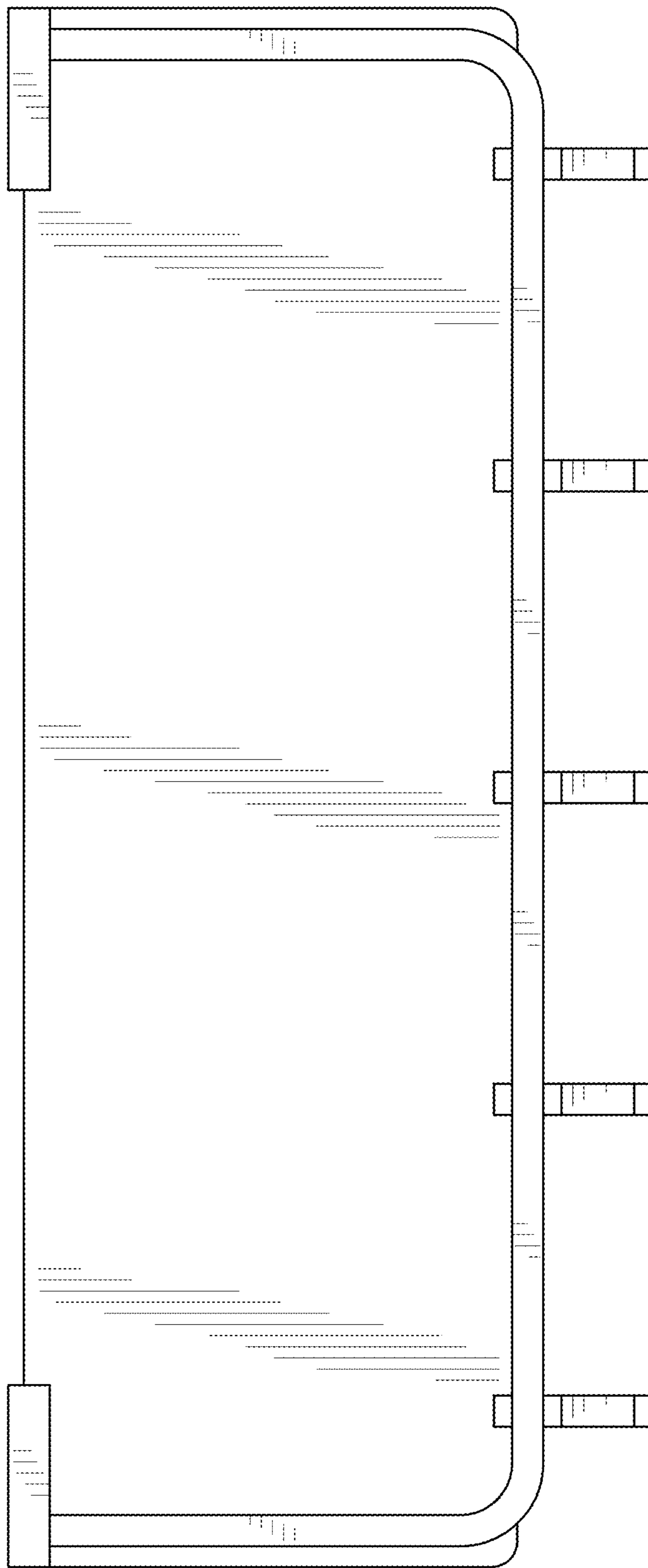


FIG.6

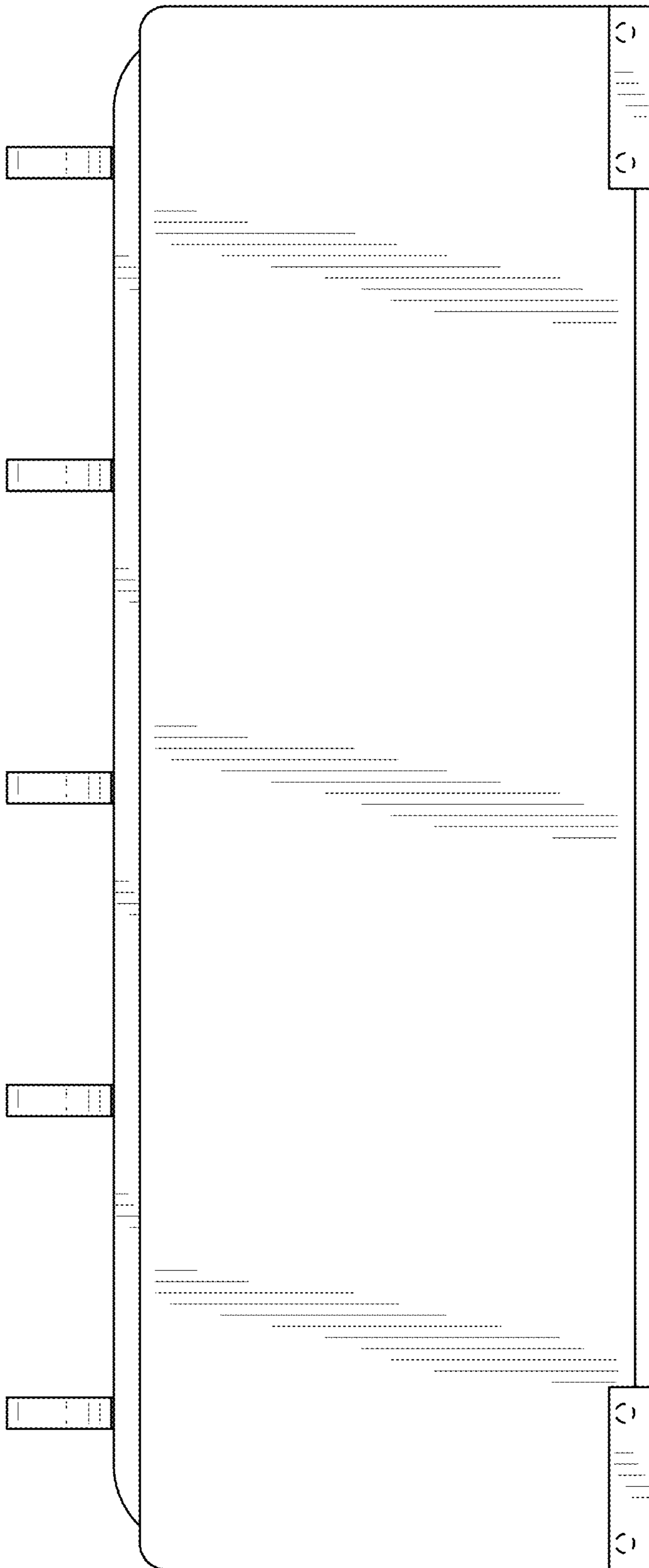


FIG.7



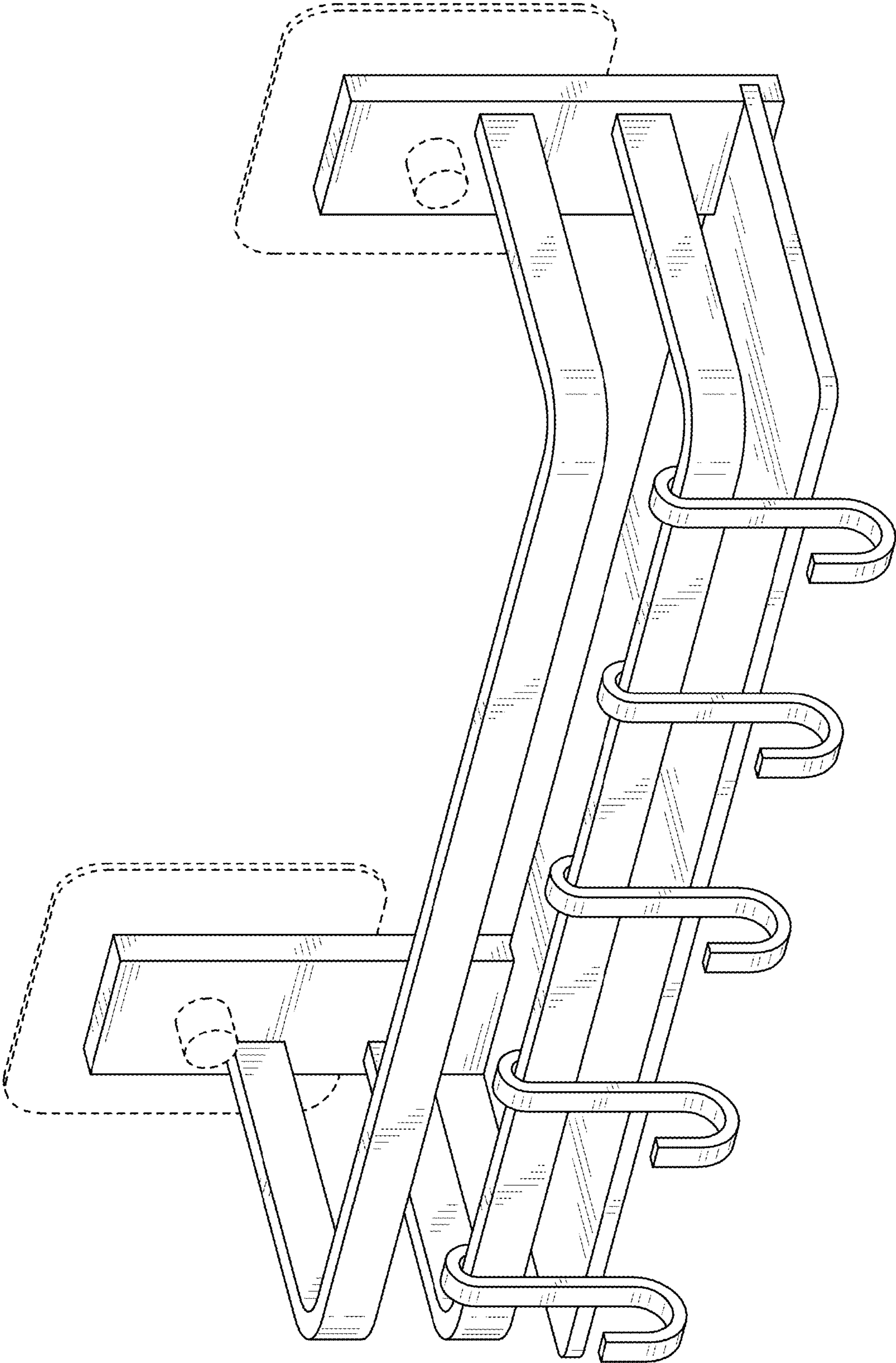


FIG. 8