



US00D925945S

(12) **United States Design Patent**  
**Knight**

(10) **Patent No.:** **US D925,945 S**

(45) **Date of Patent:** **\*\* \*Jul. 27, 2021**

(54) **JEWELRY MOUNT APPARATUS**

D653,052 S \* 1/2012 Finney ..... D6/677.1  
D665,611 S \* 8/2012 Blakley ..... D23/304  
D715,073 S \* 10/2014 Simonetti ..... D6/574

(71) Applicant: **Briana Nicole Knight**, Fairfield, CA  
(US)

\* cited by examiner

(72) Inventor: **Briana Nicole Knight**, Fairfield, CA  
(US)

*Primary Examiner* — Wan Laymon

*Assistant Examiner* — Mark Booker

(\*) Notice: This patent is subject to a terminal disclaimer.

(74) *Attorney, Agent, or Firm* — The Law Office of  
Herbert T. Patty

(\*\*) Term: **15 Years**

(57) **CLAIM**

The ornamental design for a novel jewelry mount apparatus,  
as shown and described.

(21) Appl. No.: **29/567,043**

**DESCRIPTION**

(22) Filed: **Jun. 4, 2016**

(51) **LOC (13) Cl.** ..... **06-04**

(52) **U.S. Cl.**  
USPC ..... **D6/574**

(58) **Field of Classification Search**  
USPC ..... D6/574, 528, 531, 534, 535, 677.1,  
D6/677.2; D7/553.6, 608; D9/763;  
D28/61, 73  
CPC ..... A47F 7/0035; A01K 97/08; A47B 81/005;  
Y10T 70/5009; Y10S 224/922  
See application file for complete search history.

FIG. 1 is a front view of a novel jewelry mount apparatus  
consistent with the present invention.

FIG. 2 is a back view of the novel jewelry mount apparatus.

FIG. 3 is a top view of the novel jewelry mount apparatus.

FIG. 4 is a bottom view of the novel jewelry mount  
apparatus.

FIG. 5 is a perspective view of the novel jewelry mount  
apparatus.

FIG. 6 is a left side view of the novel jewelry mount  
apparatus; and,

FIG. 7 is a right side view of the novel jewelry mount  
apparatus.

The broken line showing in the figures is included for the  
purpose of illustrating portions of the novel jewelry mount  
apparatus and form no part of the claimed design.

(56) **References Cited**

**U.S. PATENT DOCUMENTS**

D544,151 S \* 6/2007 Kieren ..... D28/73  
D554,421 S \* 11/2007 Sheppard ..... D6/574

**1 Claim, 7 Drawing Sheets**

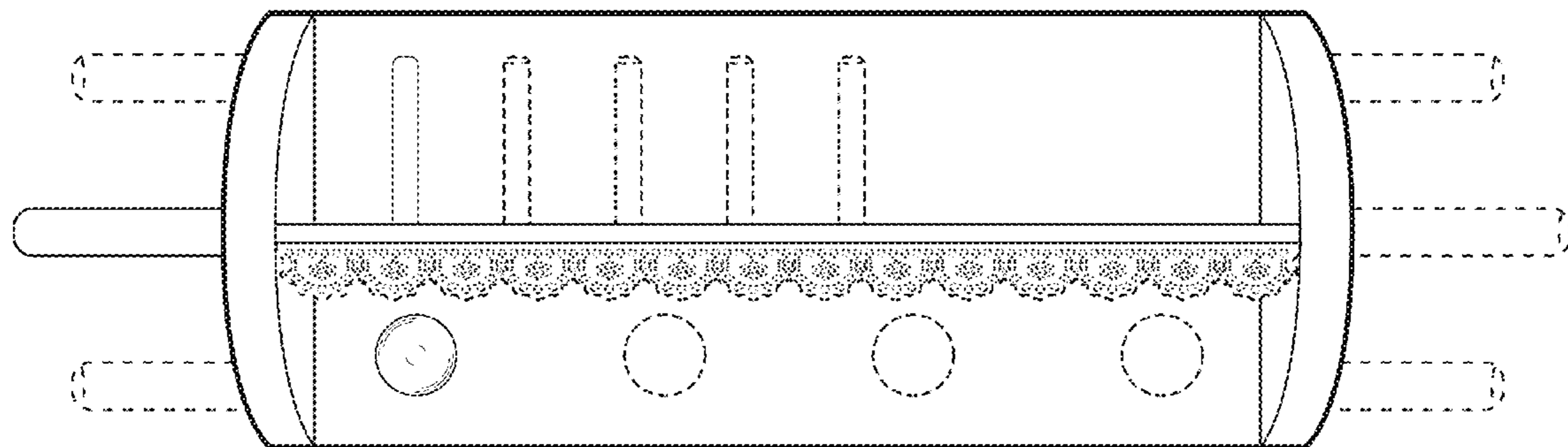


FIGURE 1

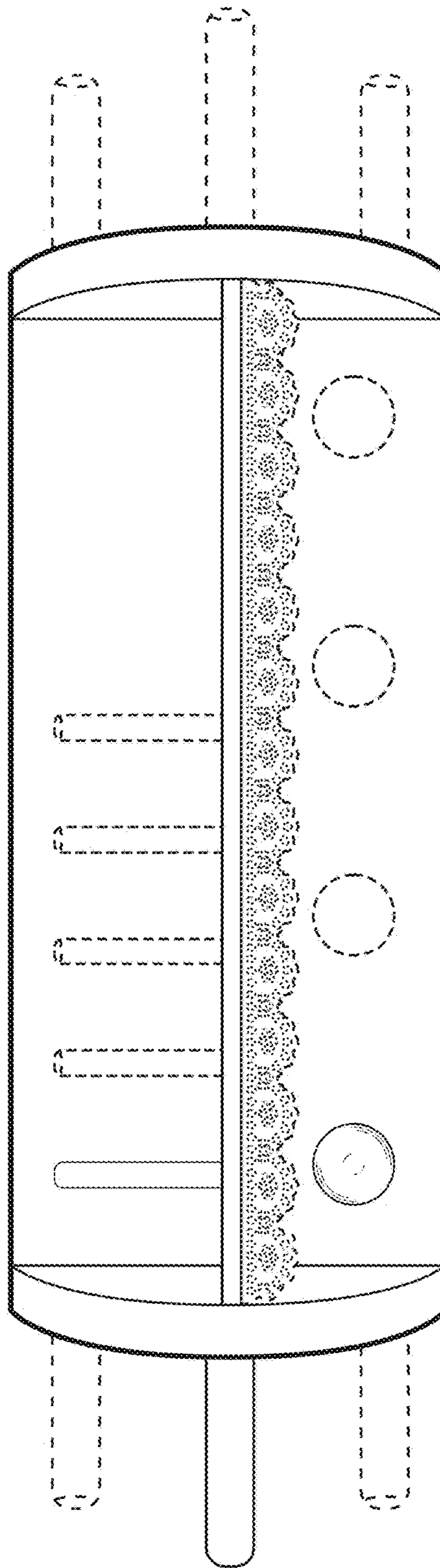


FIGURE 2

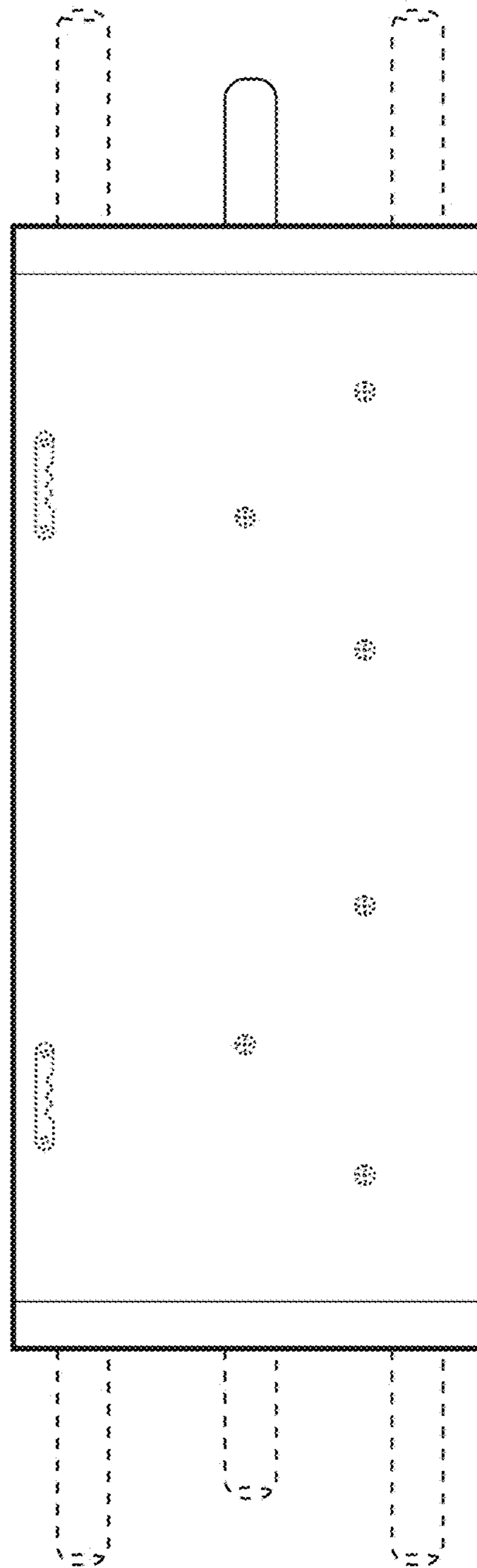


FIGURE 3

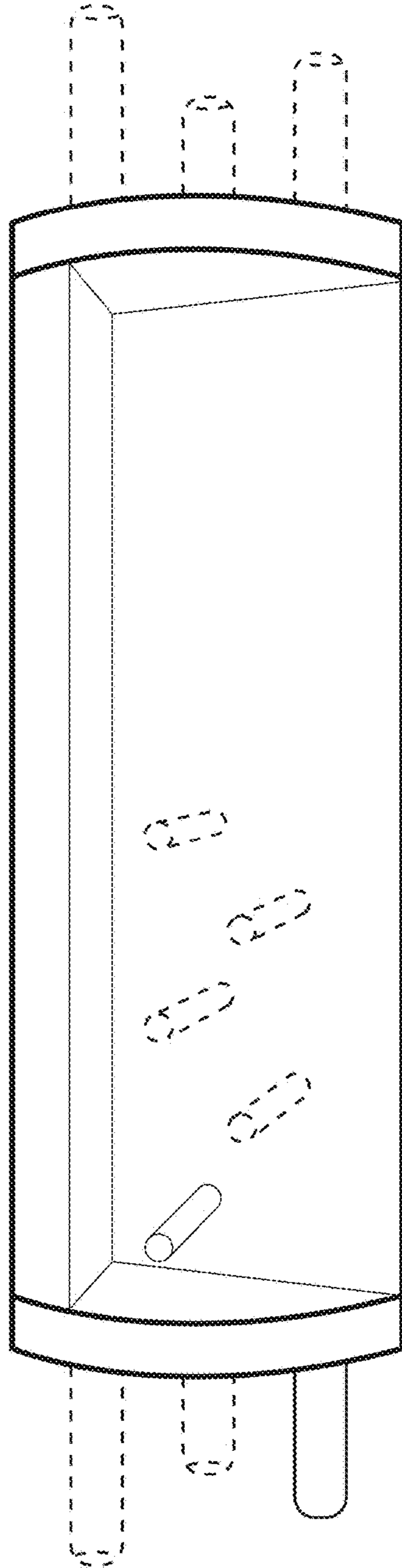
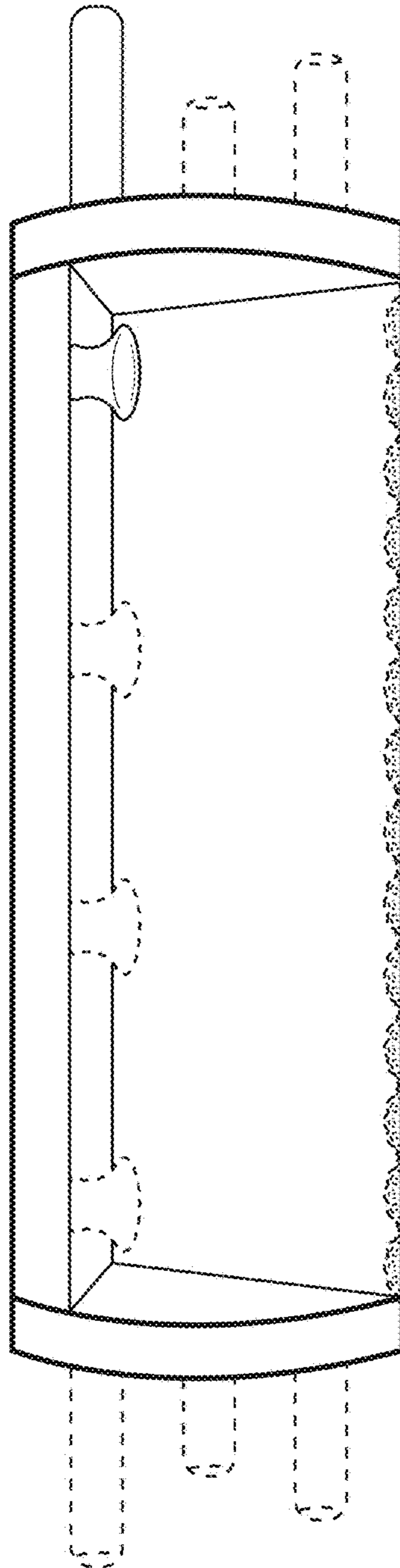


FIGURE 4



FIGURES

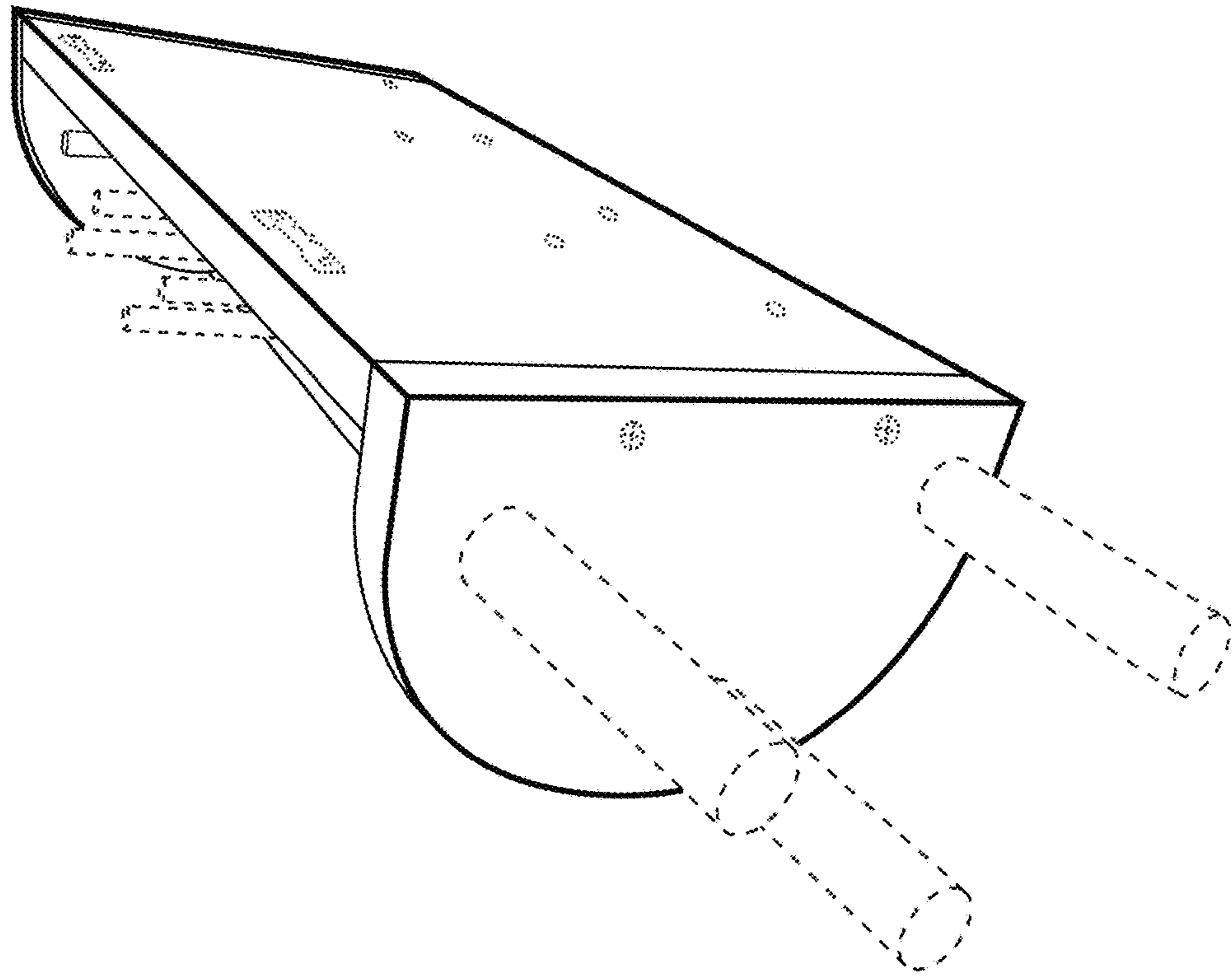


FIGURE 6

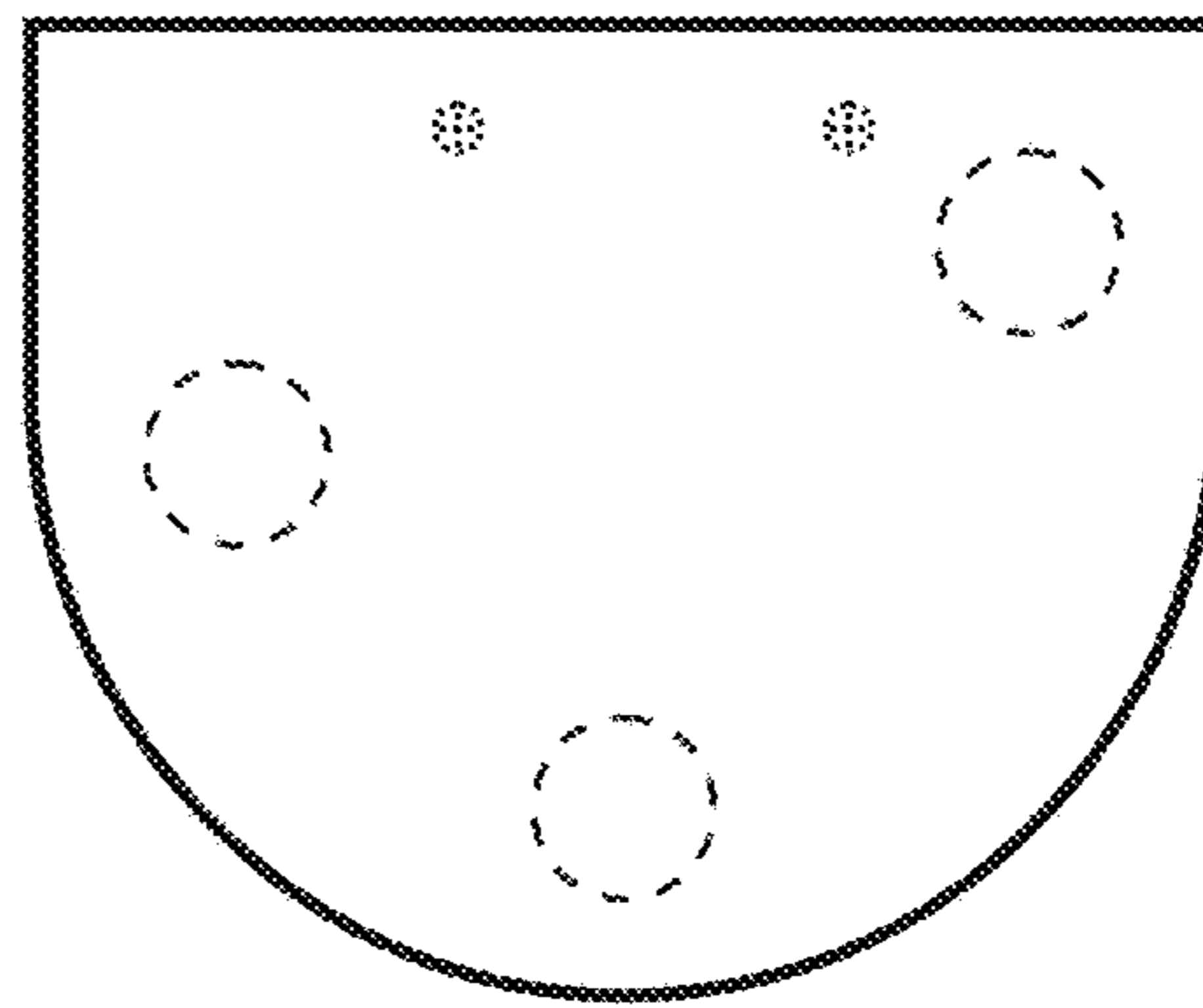


FIGURE 7

