



US00D925944S

(12) **United States Design Patent**  
**Joyner et al.**

(10) **Patent No.:** **US D925,944 S**  
(45) **Date of Patent:** **\*\* Jul. 27, 2021**

(54) **SHELF**

(71) Applicant: **LGS Innovations LLC**, Herndon, VA (US)

(72) Inventors: **Robert Joyner**, Blakeslee, PA (US); **Matthew V. Bartolomeo**, Staten Island, NY (US); **Steven Michael Kropac**, Livingston, NJ (US); **Kevin Philip John**, Parsippany, NJ (US); **Patrick Woodrow Lawrence**, Morris Plains, NJ (US)

(\*\*) Term: **15 Years**

(21) Appl. No.: **29/667,689**

(22) Filed: **Oct. 24, 2018**

(51) **LOC (13) Cl.** ..... **06-04**

(52) **U.S. Cl.**  
USPC ..... **D6/553**

(58) **Field of Classification Search**  
USPC ..... D6/382, 406.3, 553, 566, 574, 683, D6/683.1, 703, 705, 707.21; D3/304;  
(Continued)

(56) **References Cited**

**U.S. PATENT DOCUMENTS**

D267,414 S \* 12/1982 Tyke ..... D19/92  
D309,687 S \* 8/1990 Embree ..... D6/552  
(Continued)

**OTHER PUBLICATIONS**

“Pezin & Hulin Bamboo Charging Station for Multiple Devices.”  
Found online Mar. 18, 2021 at [www.amazon.com/Pezin-Hulin-Charging-Stations-Organizer/dp/B076J4Z9N3](https://www.amazon.com/Pezin-Hulin-Charging-Stations-Organizer/dp/B076J4Z9N3) (Year: 2017).\*

(Continued)

*Primary Examiner* — Mary Ann Calabrese  
*Assistant Examiner* — Katelin G Kloberg  
(74) *Attorney, Agent, or Firm* — BakerHostetler

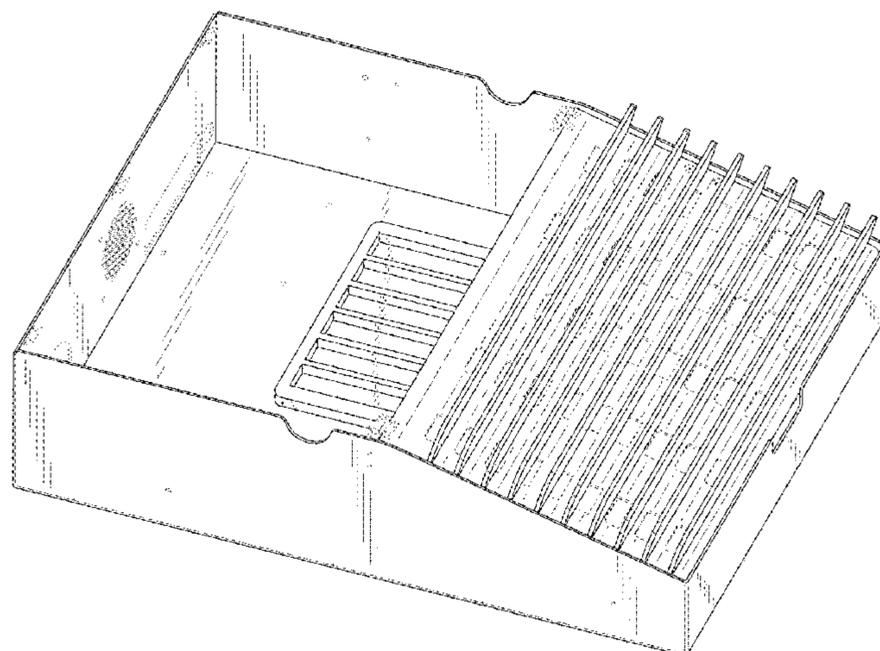
(57) **CLAIM**

The ornamental design for a shelf, as shown and described.

**DESCRIPTION**

FIG. 1 is a top-left front perspective view of a shelf, showing a first embodiment of our new design;  
FIG. 2 is a top-left rear perspective view of the design shown in FIG. 1;  
FIG. 3 is a top plan view of the design shown in FIG. 1;  
FIG. 4 is a top perspective view of the design shown in FIG. 1;  
FIG. 5 is a front view of the design shown in FIG. 1;  
FIG. 6 is a left side view of the design shown in FIG. 1;  
FIG. 7 is a right side view of the design shown in FIG. 1;  
FIG. 8 is a rear view of the design shown in FIG. 1;  
FIG. 9 is a bottom view of the design shown in FIG. 1;  
FIG. 10 is a top-left front perspective view of a shelf, showing a second embodiment of our new design;  
FIG. 11 is a top-left rear perspective view of the design shown in FIG. 10;  
FIG. 12 is a top plan view of the design shown in FIG. 10;  
FIG. 13 is a top perspective view of the design shown in FIG. 10;  
FIG. 14 is a front view of the design shown in FIG. 10;  
FIG. 15 is a left side view of the design shown in FIG. 10;  
FIG. 16 is a right side view of the design shown in FIG. 10;  
FIG. 17 is a rear view of the design shown in FIG. 10;  
FIG. 18 is a bottom view of the design shown in FIG. 10;  
FIG. 19 is a top-left front perspective view of a shelf, showing a third embodiment of our new design;  
FIG. 20 is a top-left rear perspective view of the design shown in FIG. 19;  
FIG. 21 is a top plan view of the design shown in FIG. 19;  
FIG. 22 is a top perspective view of the design shown in FIG. 19;  
FIG. 23 is a front view of the design shown in FIG. 19;  
FIG. 24 is a left side view of the design shown in FIG. 19;  
FIG. 25 is a right side view of the design shown in FIG. 19;  
FIG. 26 is a rear view of the design shown in FIG. 19; and,  
FIG. 27 is a bottom view of the design shown in FIG. 19.  
The broken lines illustrate portions of the shelf that form no part of the claimed design.

**1 Claim, 27 Drawing Sheets**



(58) **Field of Classification Search**

USPC ..... D9/432; D13/107, 108; D19/92;  
 D24/227; D25/68; D32/53.1, 54  
 CPC ..... A47B 96/027; H02J 7/02; H02J 7/0013;  
 H02J 7/0021; H02J 7/0022; H02J 7/0026;  
 H02J 7/0027; H02J 7/0042; H02J 7/0044;  
 H02J 7/0045; H02J 7/0003; H01M 10/44;  
 H01M 10/441

See application file for complete search history.

(56) **References Cited**

U.S. PATENT DOCUMENTS

5,123,620 A \* 6/1992 Bourne ..... E06C 7/14  
 248/210  
 D454,533 S \* 3/2002 Benson ..... D12/425  
 D496,404 S \* 9/2004 Hurwitz ..... D19/86  
 D498,632 S \* 11/2004 Anderson ..... D6/566  
 D511,535 S \* 11/2005 Grobleben ..... D15/89  
 D550,482 S \* 9/2007 Belokin ..... A47F 5/0068  
 D6/683  
 D587,947 S \* 3/2009 Valiulis ..... D6/553  
 D609,510 S \* 2/2010 Stafford ..... D6/705  
 D640,489 S \* 6/2011 Tuholski ..... D6/574  
 D654,726 S \* 2/2012 Nealon ..... D6/683.1  
 D658,882 S \* 5/2012 Cullen ..... D3/313  
 D666,903 S \* 9/2012 McIntosh ..... D9/418  
 D674,216 S \* 1/2013 Erickson ..... D6/683.1  
 D675,391 S \* 1/2013 Arvinte ..... D32/53.1  
 D676,694 S \* 2/2013 Daily ..... D6/703  
 D678,699 S \* 3/2013 Stravitz ..... D6/707.21  
 D679,331 S \* 4/2013 Stravitz ..... D19/92  
 D690,769 S \* 10/2013 Hu ..... D19/92  
 D692,632 S \* 10/2013 Church ..... D32/54  
 D705,722 S \* 5/2014 Gengler ..... D13/107  
 D709,445 S \* 7/2014 Yeh ..... D13/107

D715,641 S \* 10/2014 Spinos ..... D9/432  
 D745,781 S \* 12/2015 Hsu ..... D3/304  
 D778,829 S \* 2/2017 Marmus ..... D13/108  
 D786,669 S \* 5/2017 Kim ..... D9/432  
 D800,337 S \* 10/2017 Daines ..... D24/227  
 D833,771 S \* 11/2018 Gawlik ..... D6/553  
 D835,920 S \* 12/2018 Sullins ..... D6/406.3  
 D866,460 S \* 11/2019 Komoni ..... D13/108  
 D878,280 S \* 3/2020 Furukawa ..... D12/419  
 D879,713 S \* 3/2020 Piper ..... D13/108  
 D880,190 S \* 4/2020 Williams ..... D6/553  
 D887,350 S \* 6/2020 Yamamoto ..... D13/108  
 D890,951 S \* 7/2020 Brennan ..... D24/227  
 D893,118 S \* 8/2020 Casper ..... D32/53.1  
 D893,624 S \* 8/2020 Mckean ..... D19/92  
 D895,289 S \* 9/2020 Greenwood ..... D3/304  
 D902,593 S \* 11/2020 Roche ..... D3/304  
 D905,463 S \* 12/2020 Sullins ..... D6/406.3  
 D906,547 S \* 12/2020 Loyer ..... D25/68  
 D911,279 S \* 2/2021 Hu ..... D13/108  
 2005/0258002 A1 \* 11/2005 Sabo ..... E06C 7/14  
 182/129  
 2017/0042345 A1 \* 2/2017 Jolley ..... A47F 5/114  
 2017/0251889 A1 \* 9/2017 Gawlik ..... A47K 10/185

OTHER PUBLICATIONS

“Bamboo Charging Station.” Found online Mar. 18, 20201 at  
 www.amazon.com. Product first available Oct. 23, 2019. Retrieved  
 from URL: <https://tinyurl.com/yxxhv8t2> (Year: 2019).\*  
 “MobileVision Bamboo Charging Station Stand.” Found online  
 Mar. 18, 2021 at www.amazon.com. Product first available Aug. 20,  
 2015. Retrieved from URL: <https://tinyurl.com/vtc8an5f> (Year: 2015).\*  
 “Valet Tray Charging Station.” Found online Mar. 18, 2021 at  
 www.amazon.com. Product first available Sep. 18, 2018. Retrieved  
 from URL: <https://tinyurl.com/655b57zz> (Year: 2018).\*

\* cited by examiner

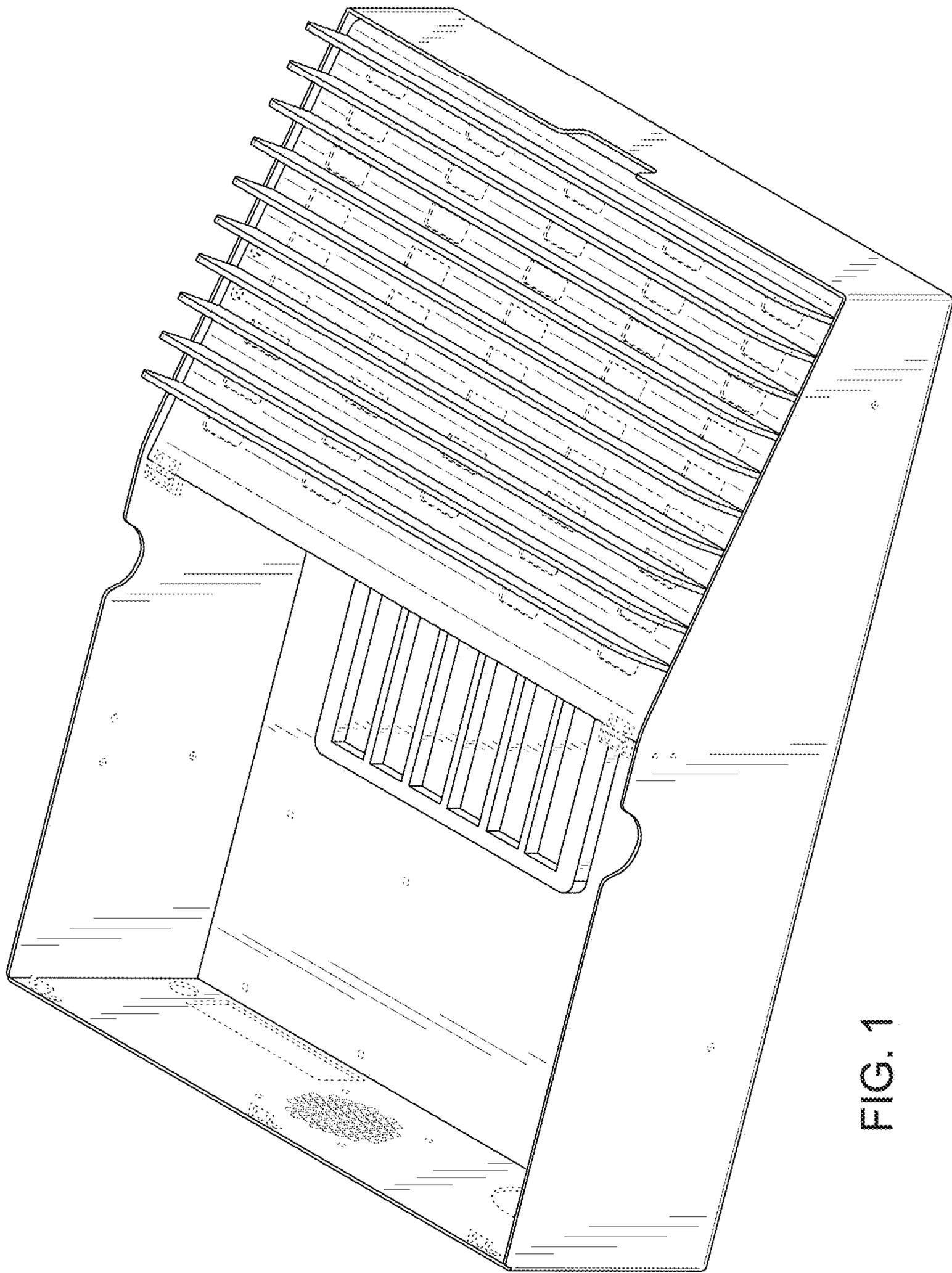


FIG. 1

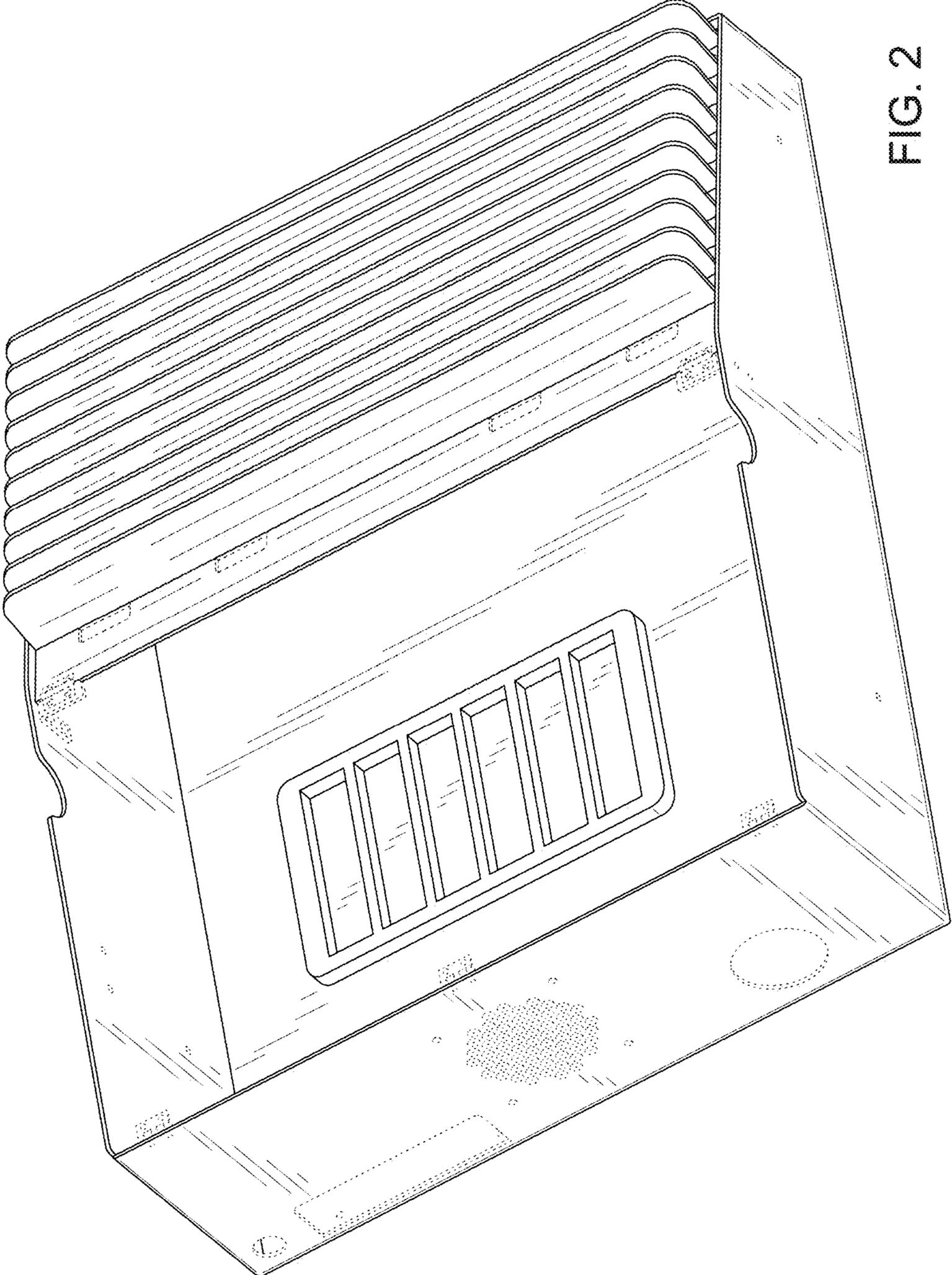


FIG. 2

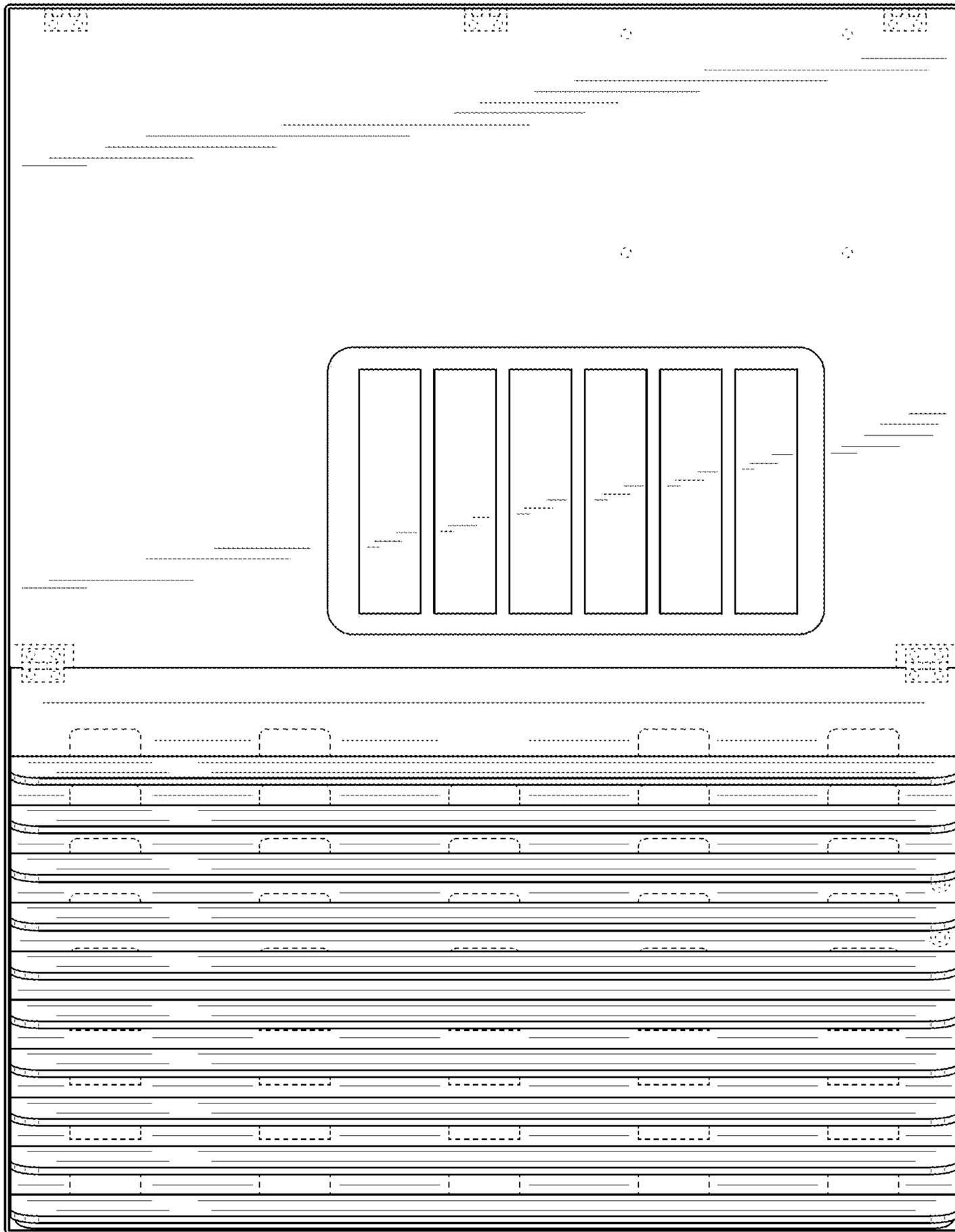


FIG. 3

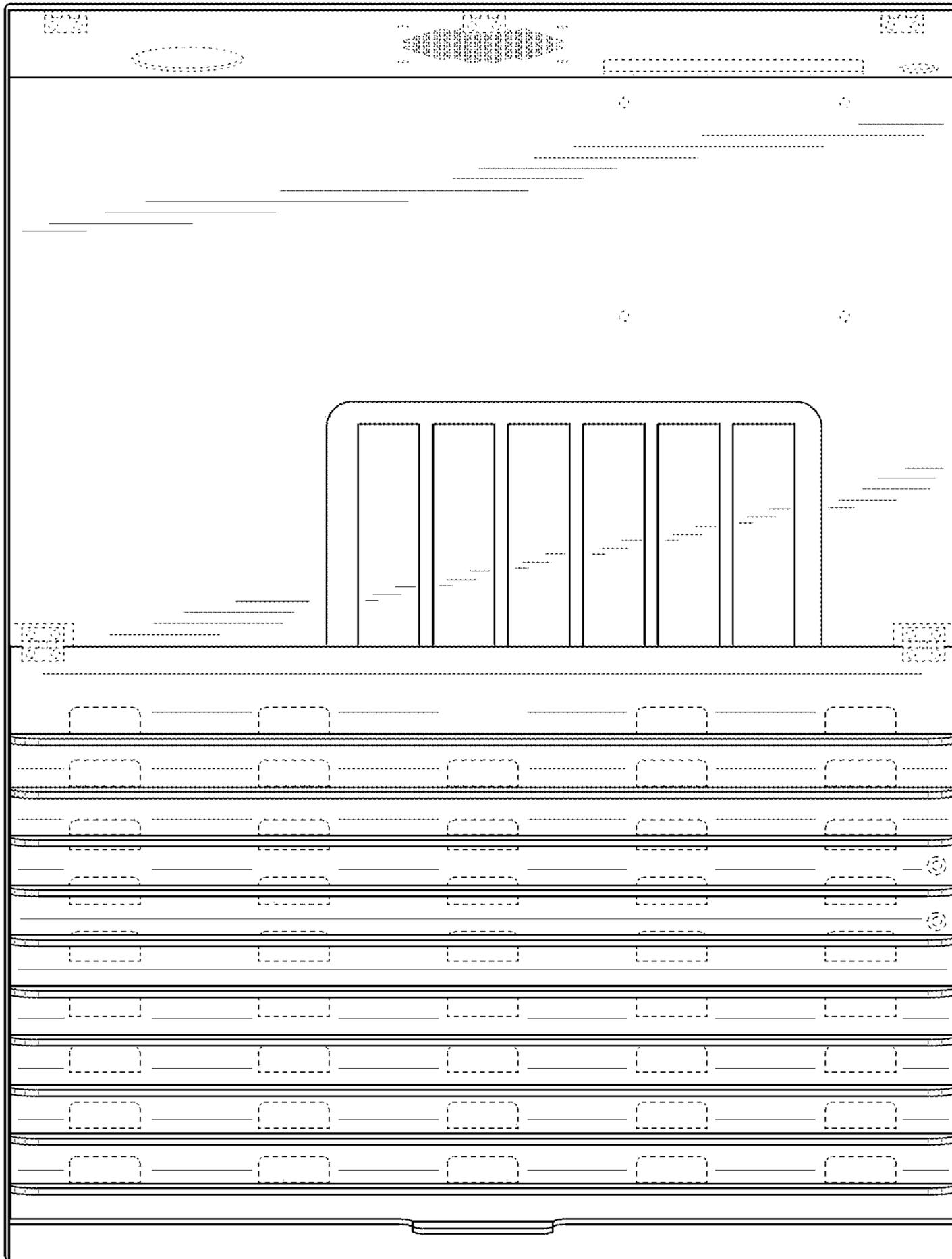


FIG. 4

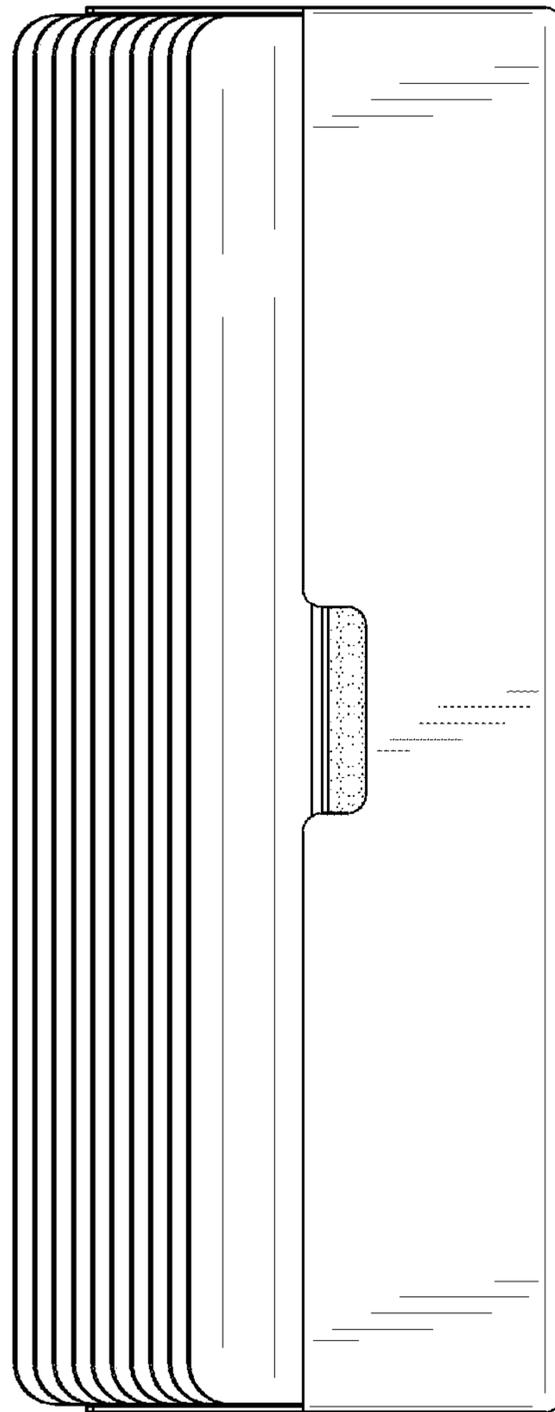


FIG. 5

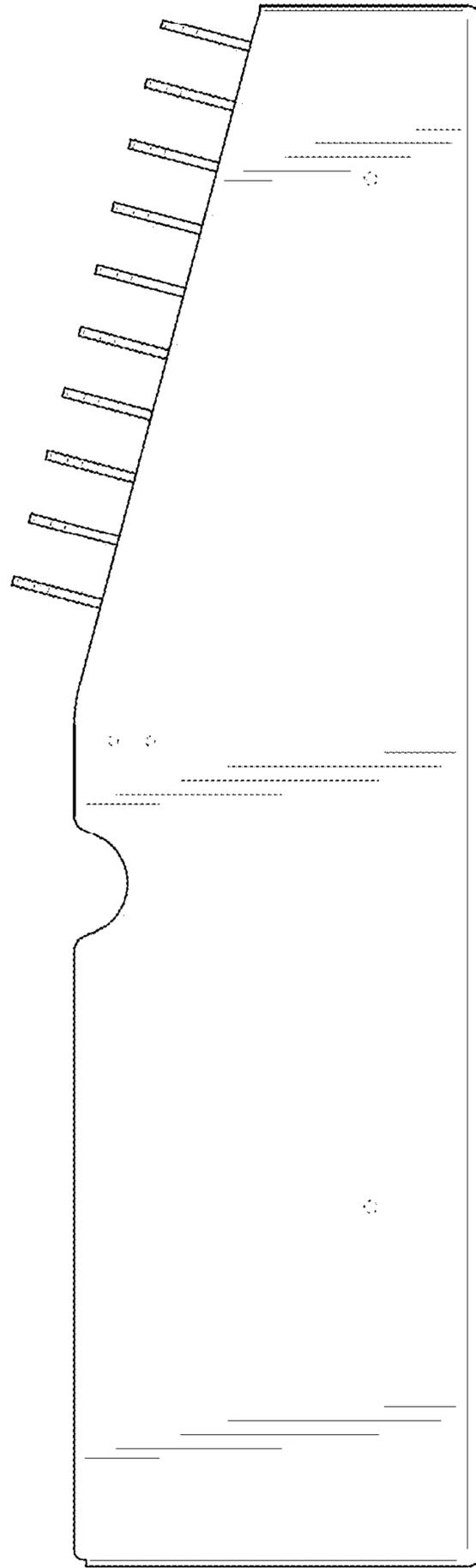


FIG. 6

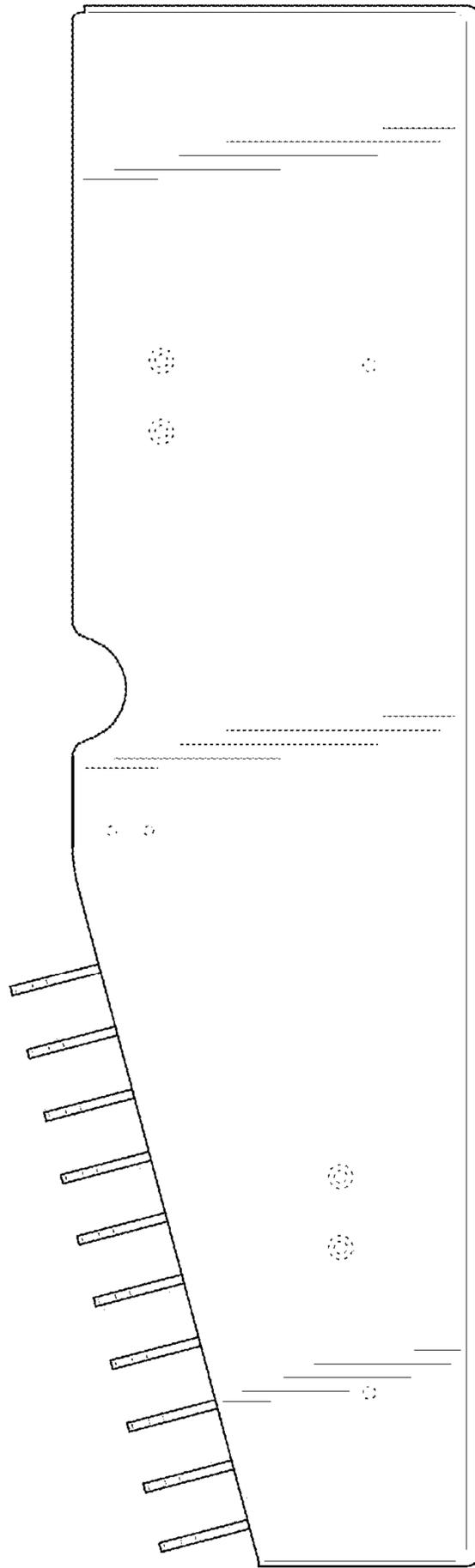


FIG. 7

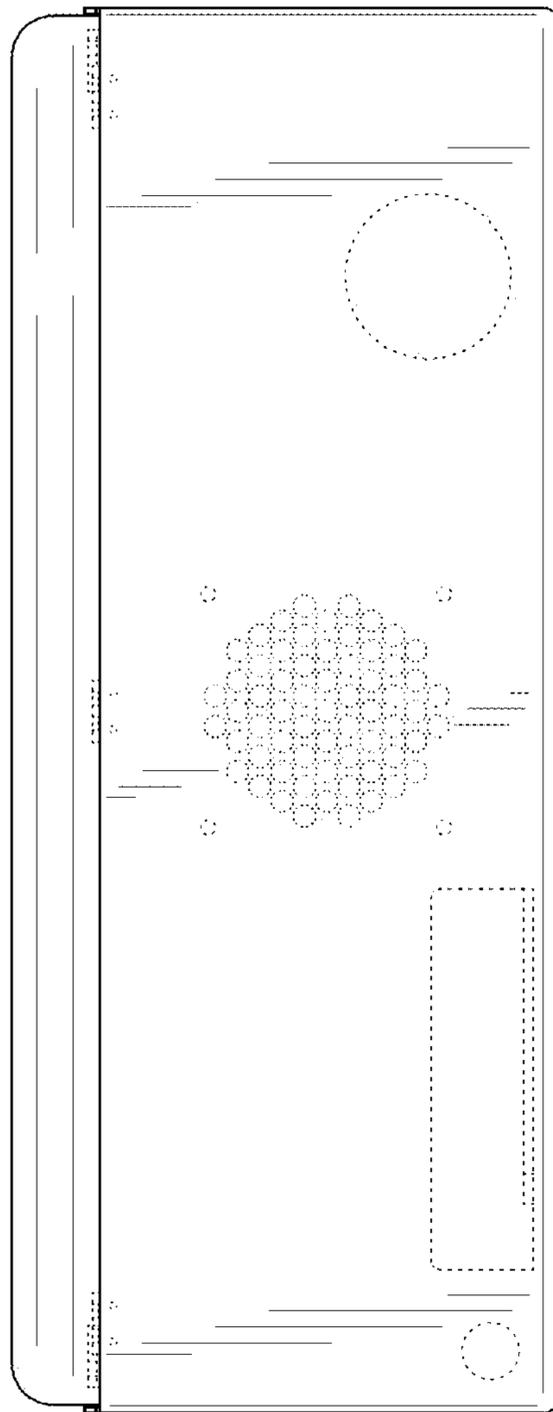


FIG. 8

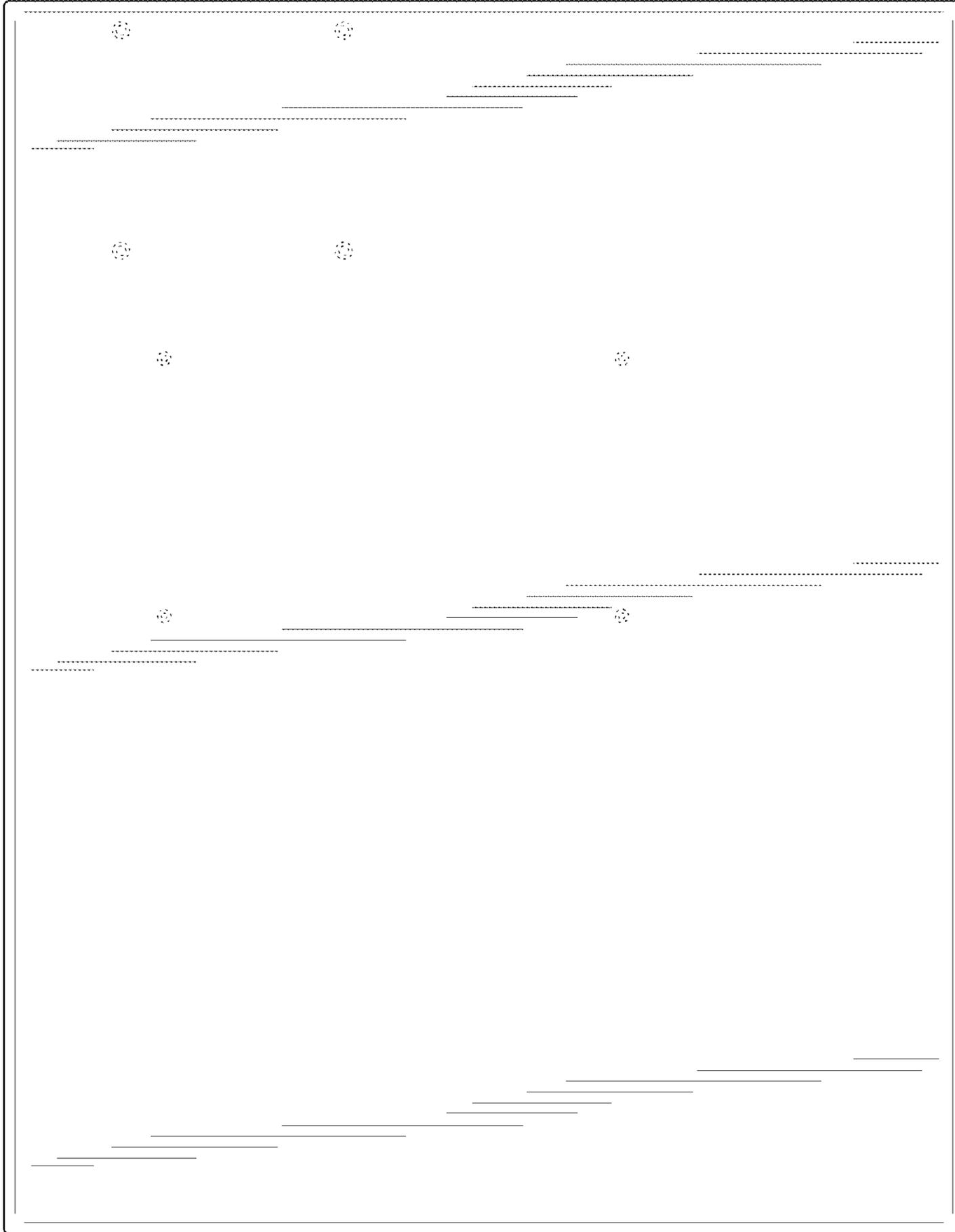


FIG. 9

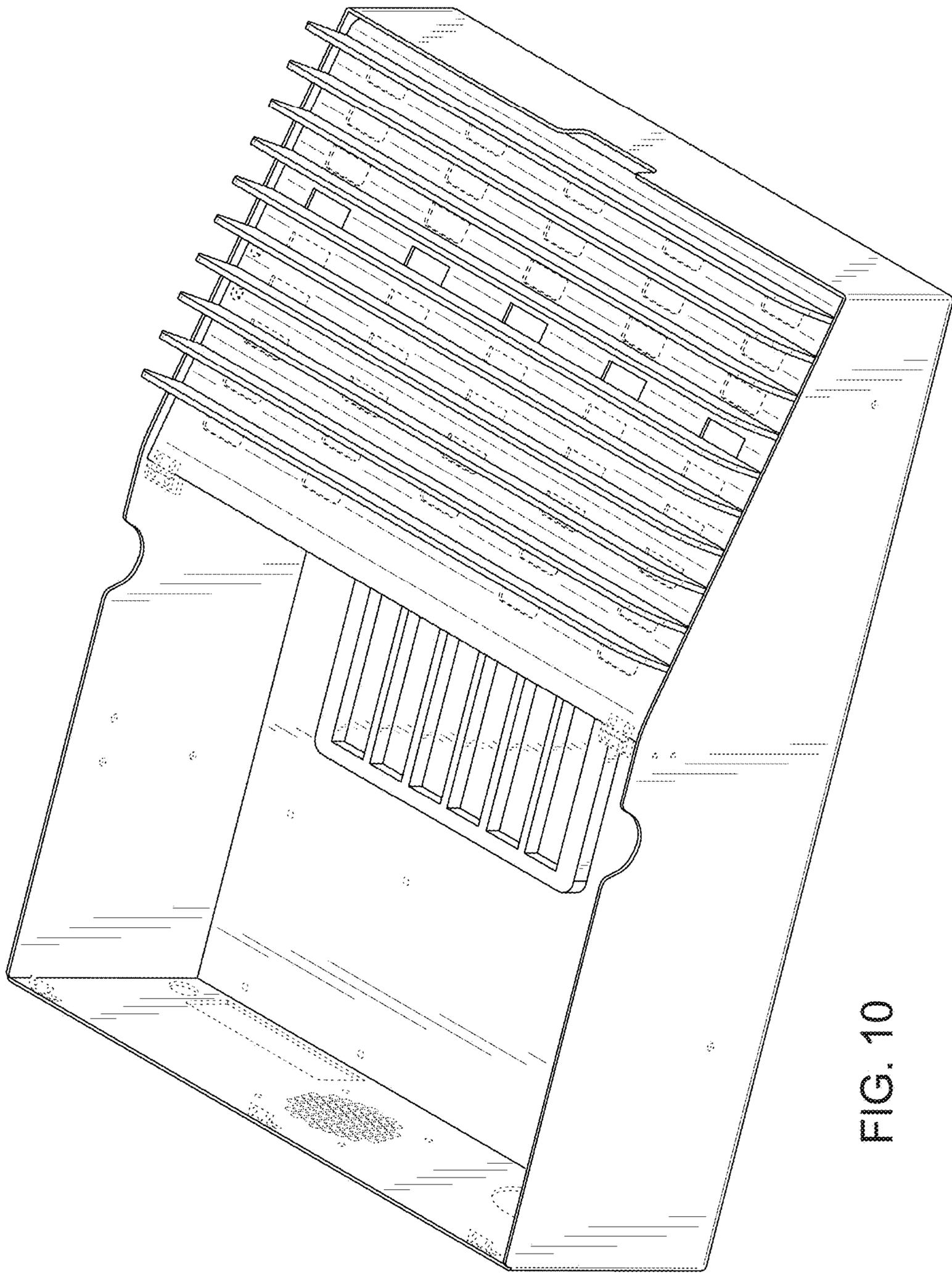


FIG. 10

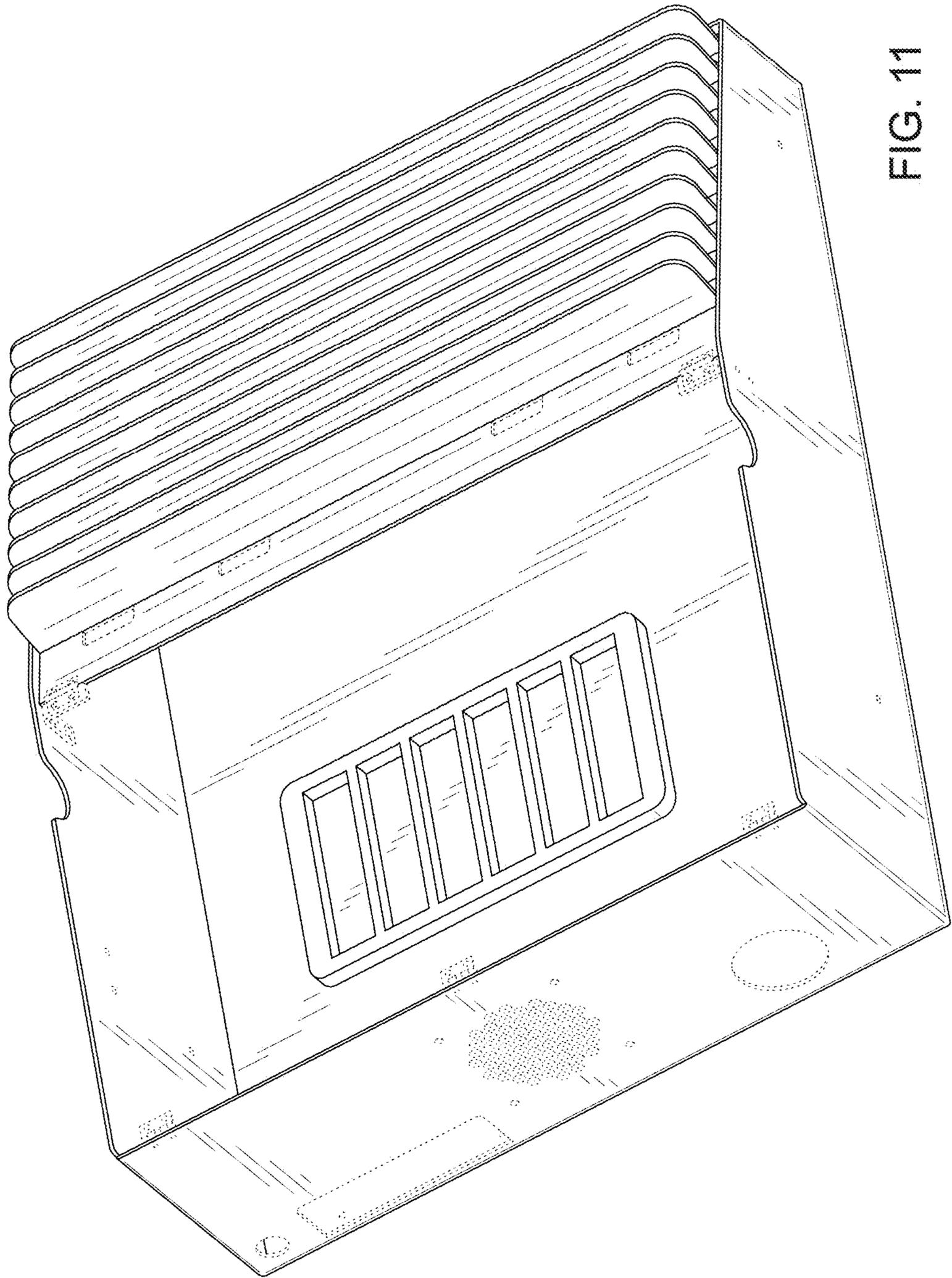


FIG. 11

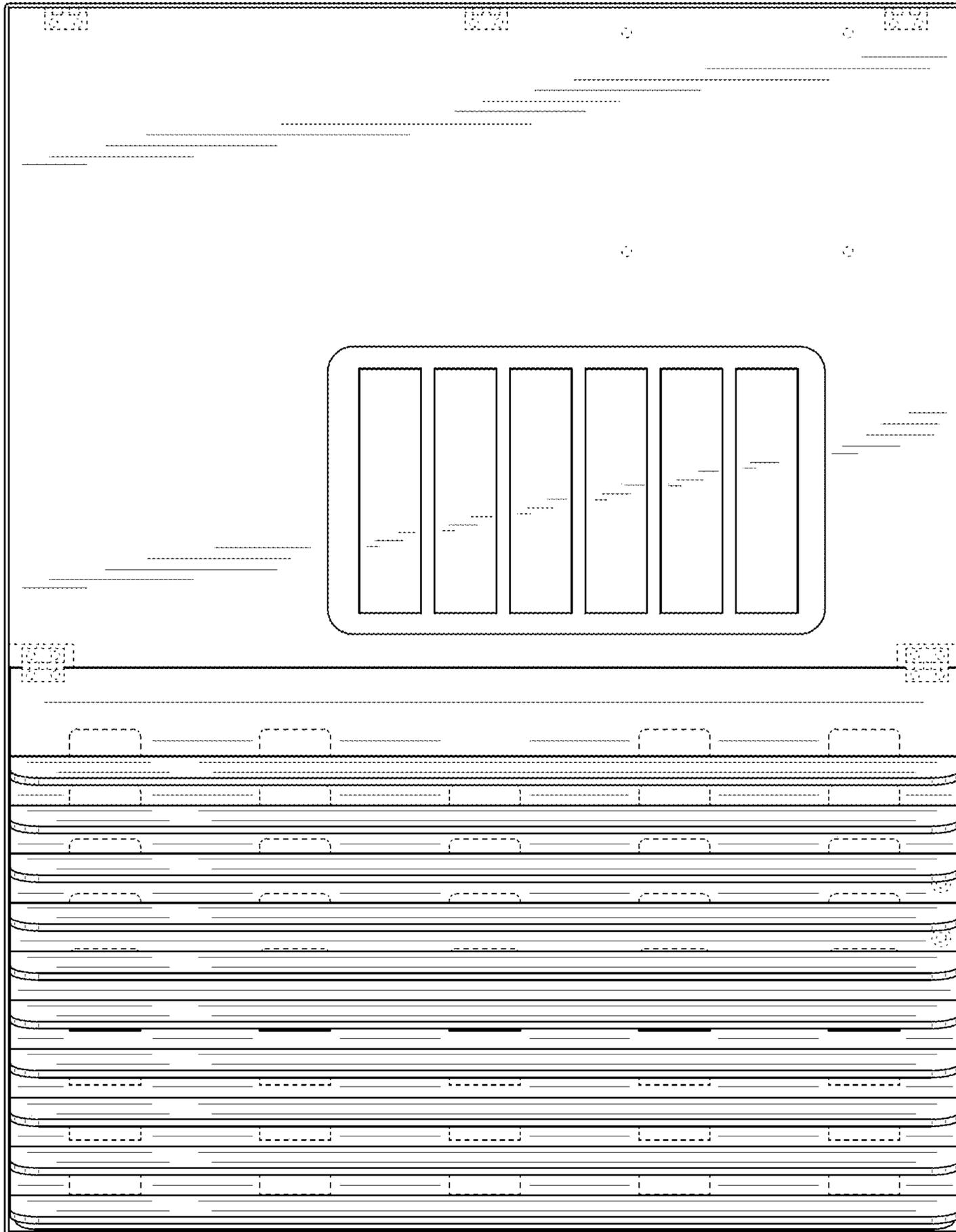


FIG. 12

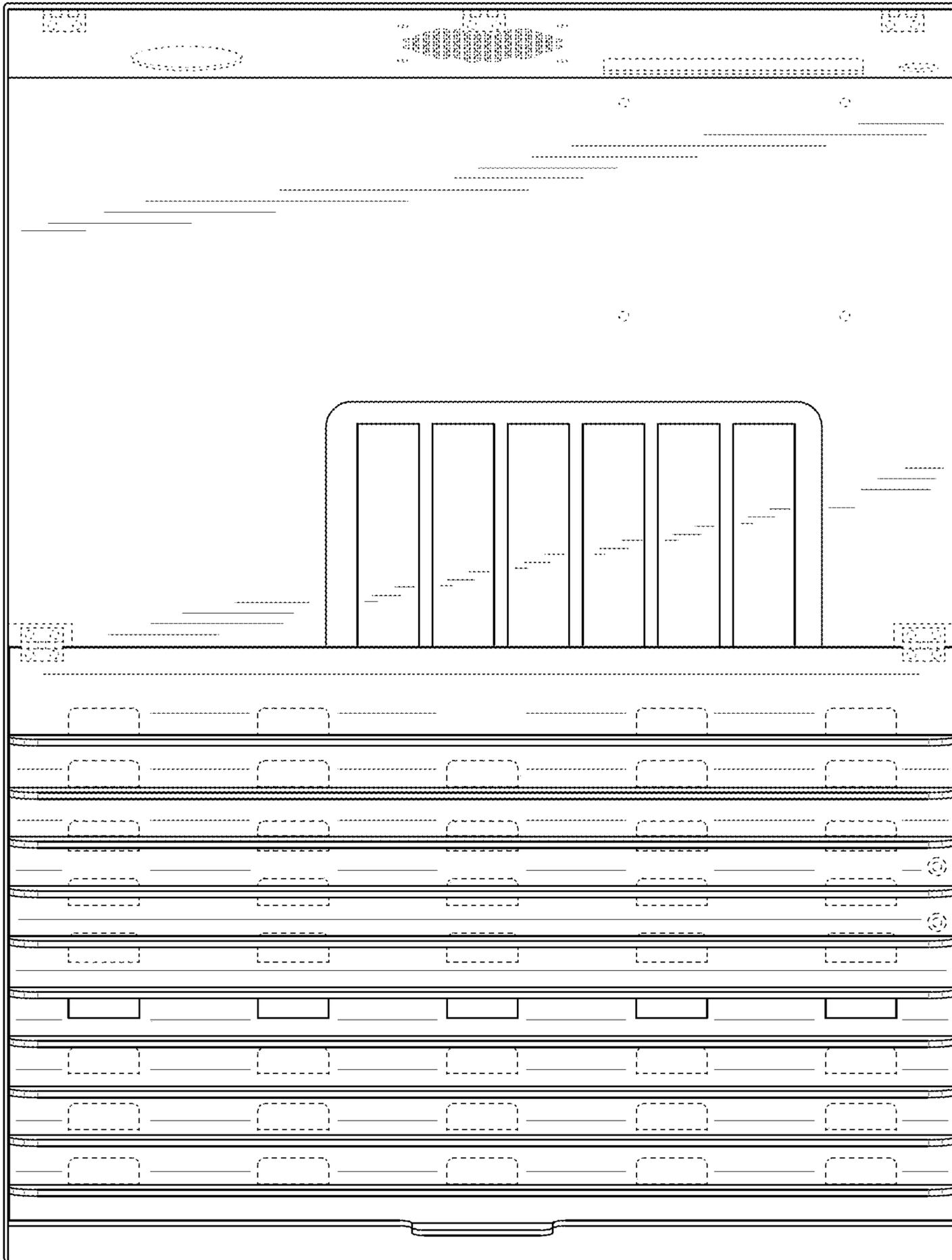


FIG. 13

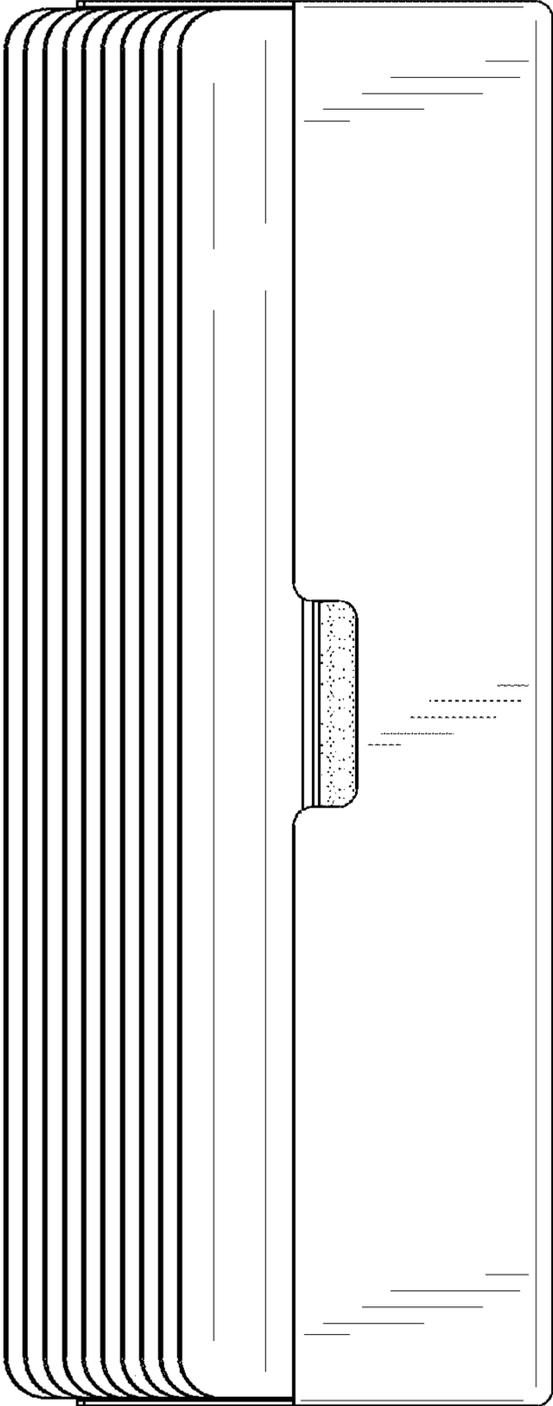


FIG. 14

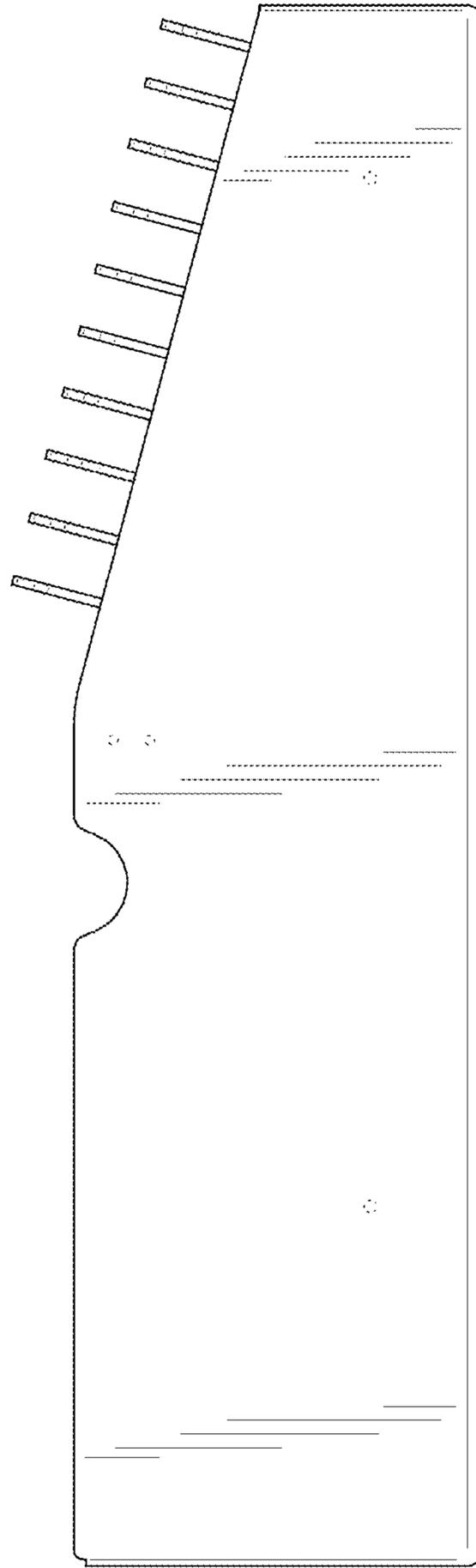


FIG. 15

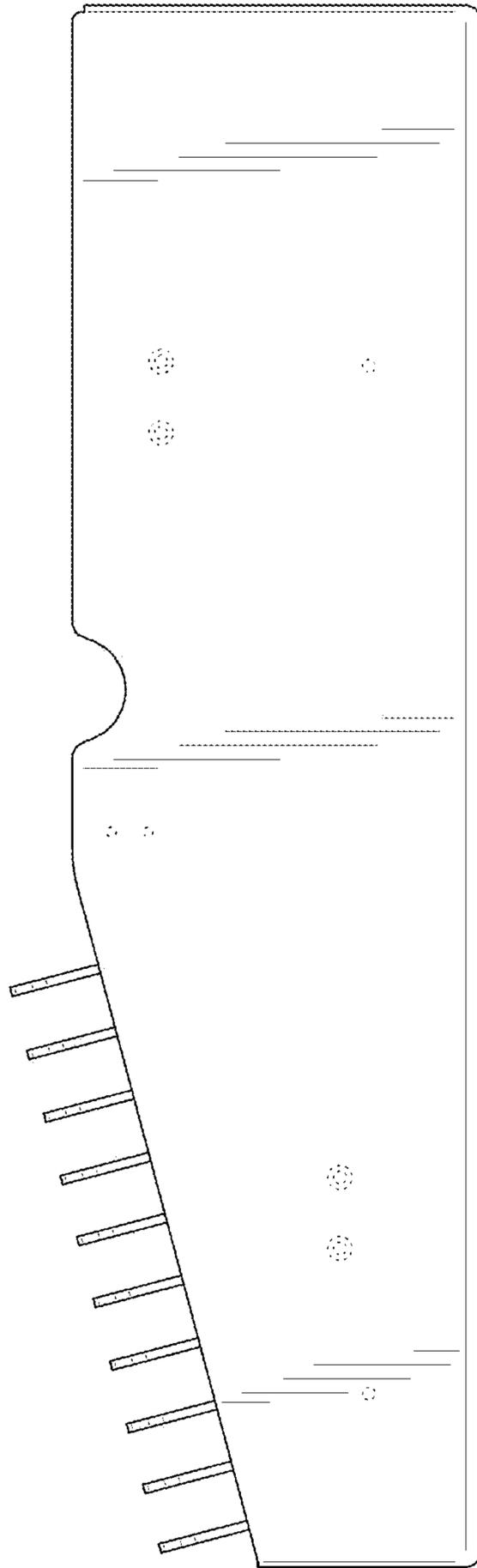


FIG. 16

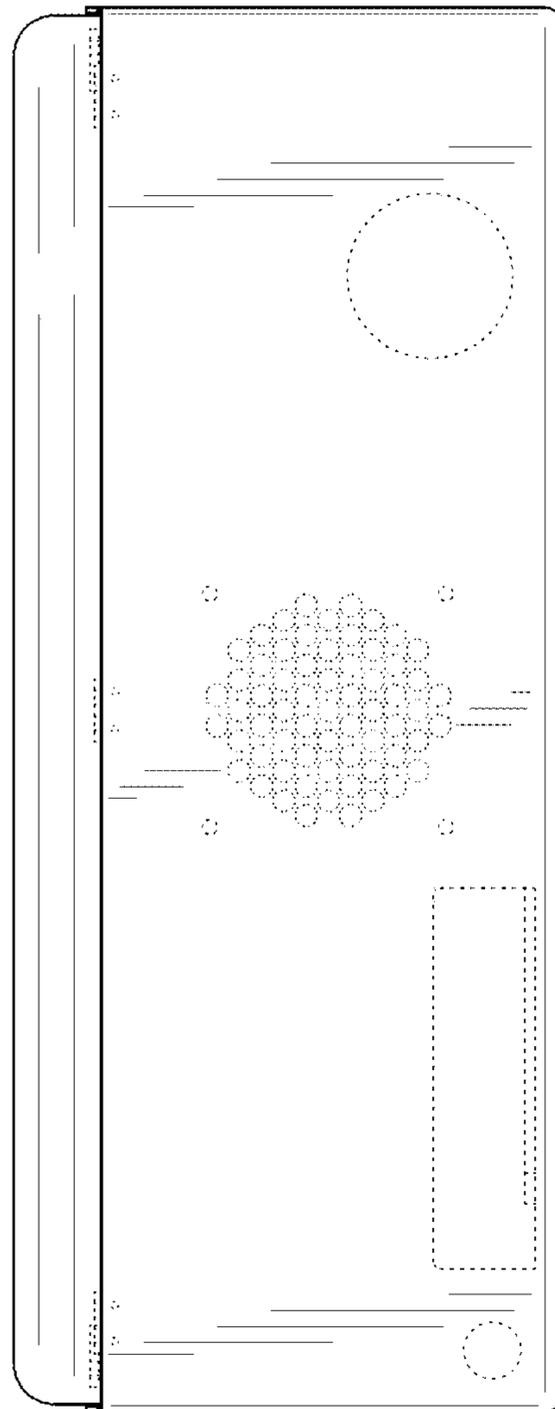


FIG. 17

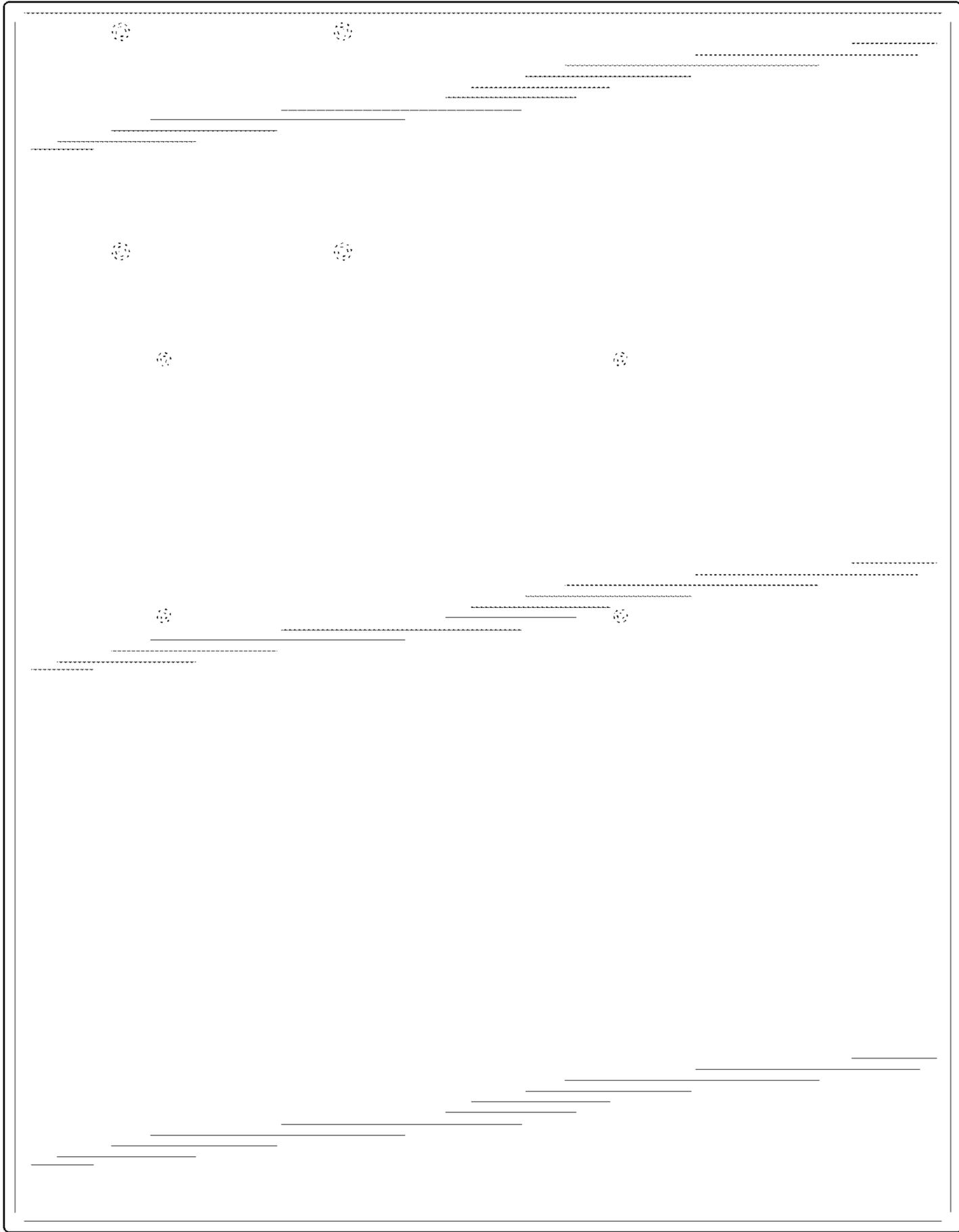


FIG. 18

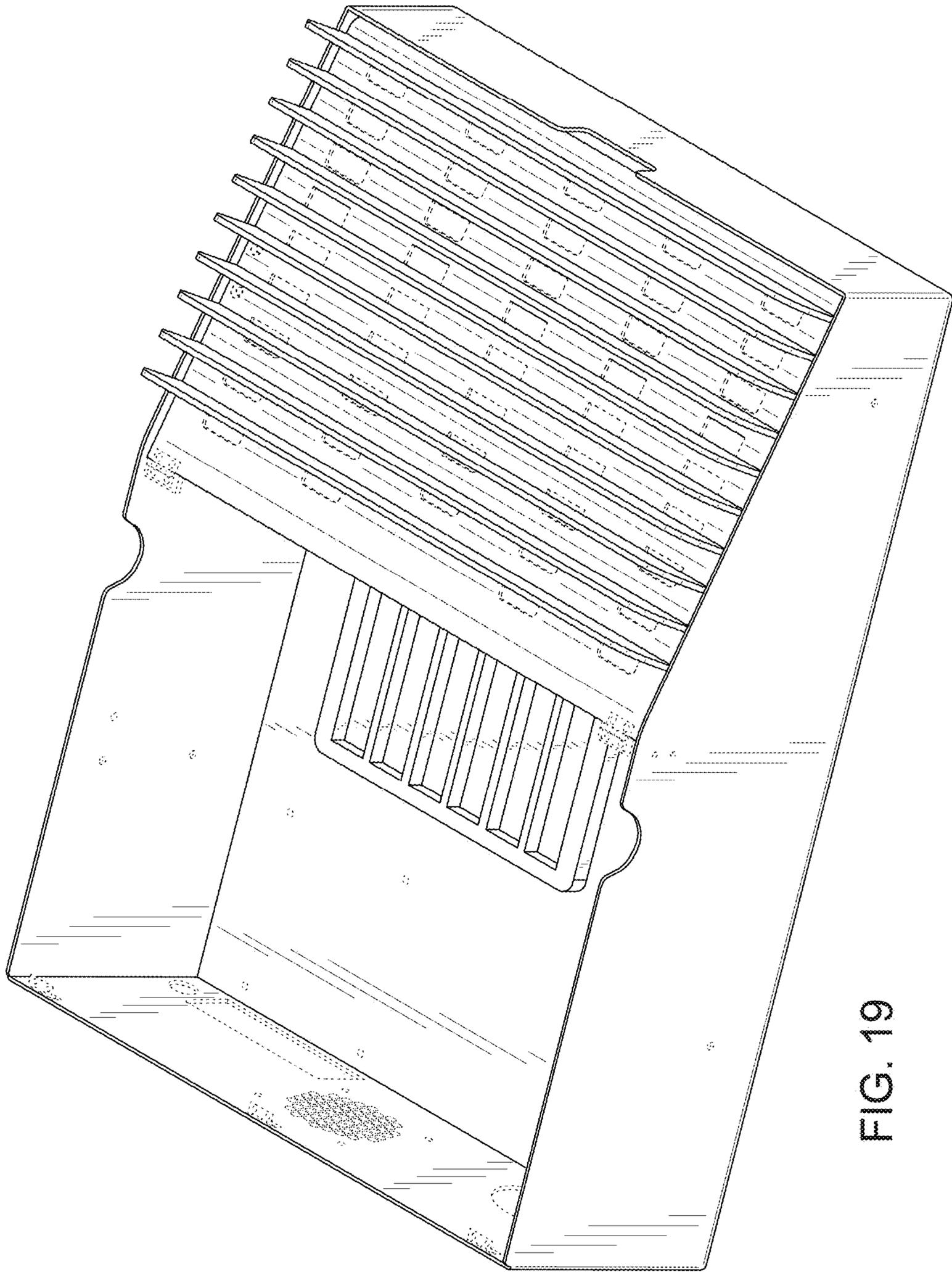


FIG. 19

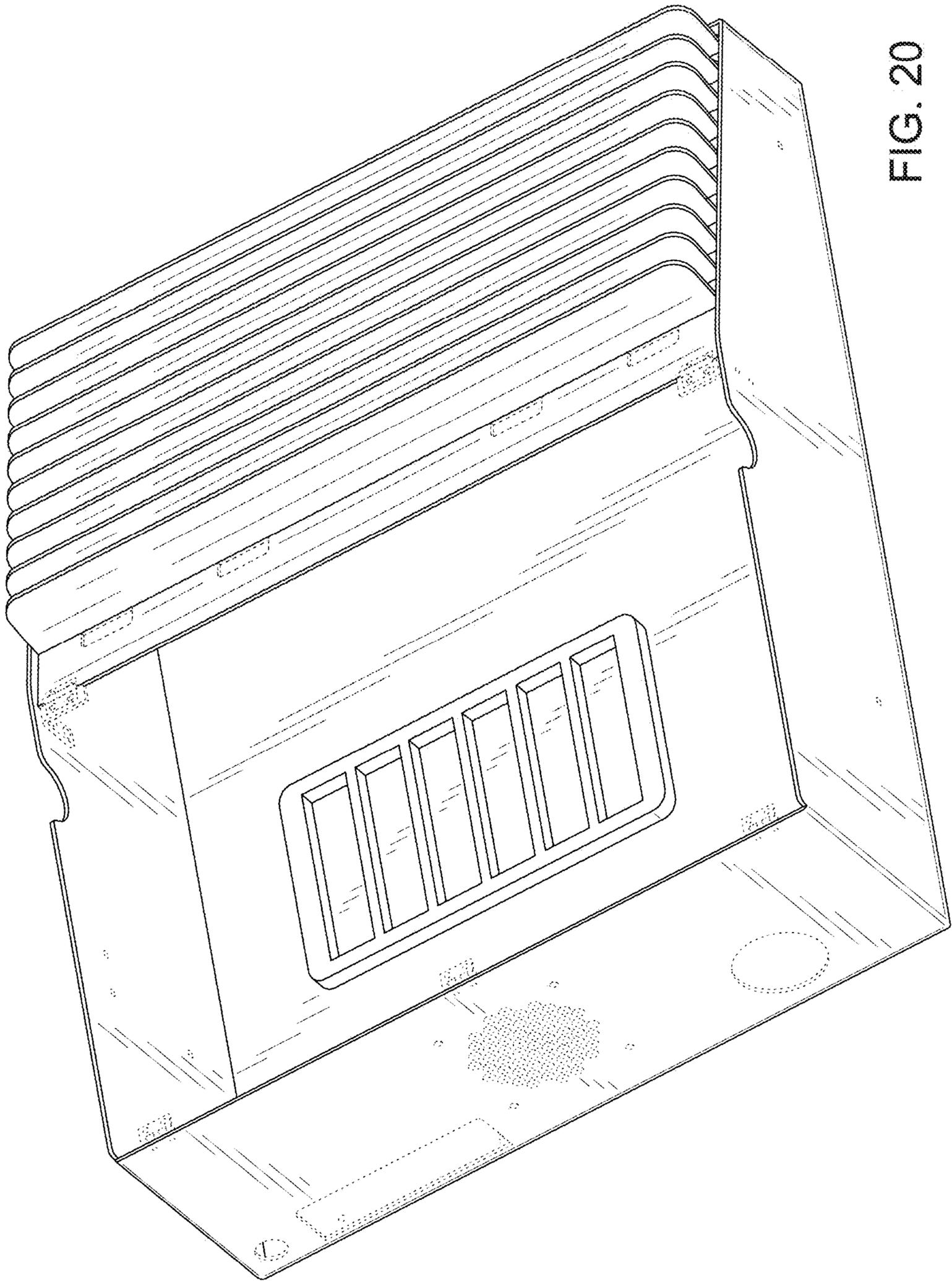


FIG. 20

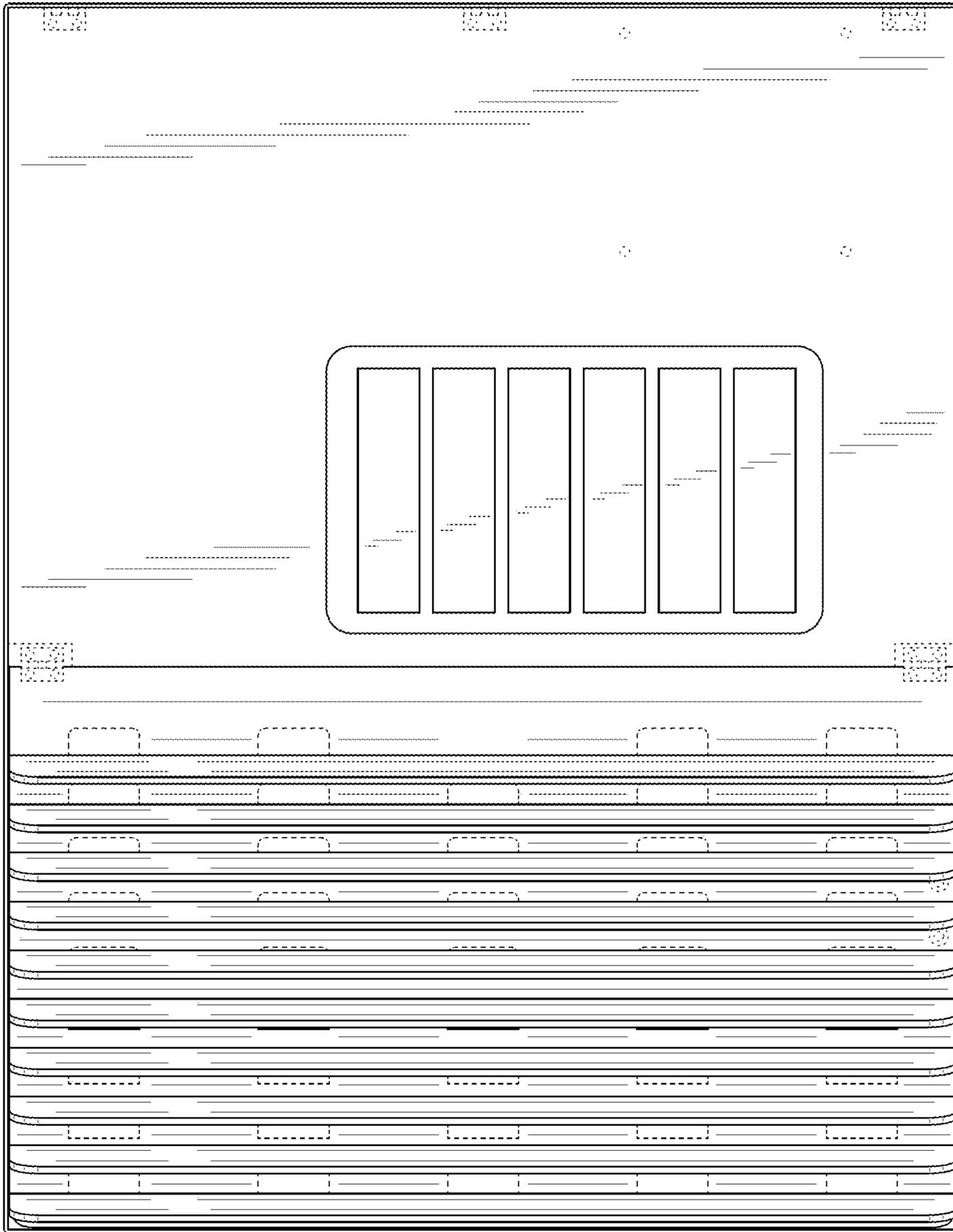


FIG. 21

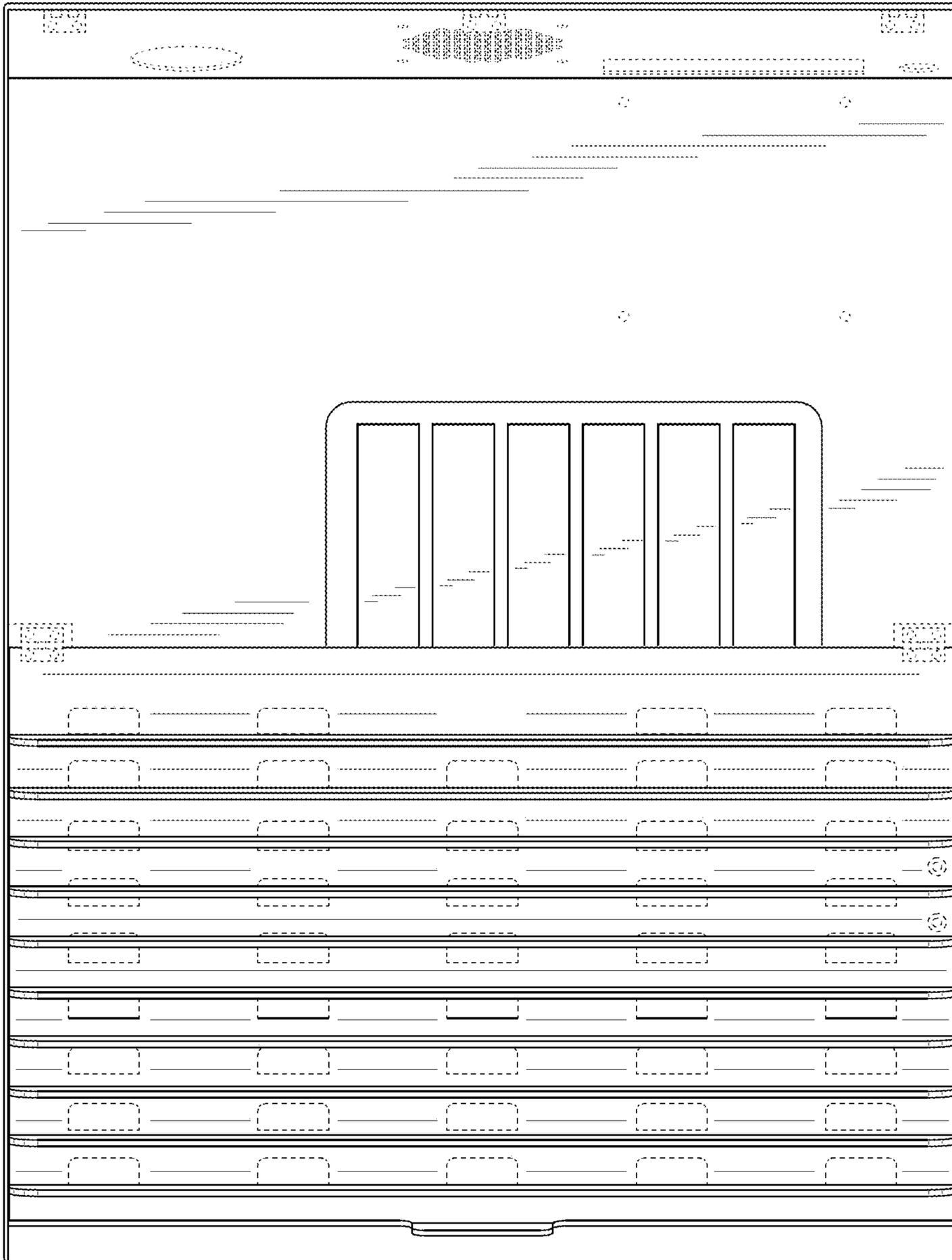


FIG. 22

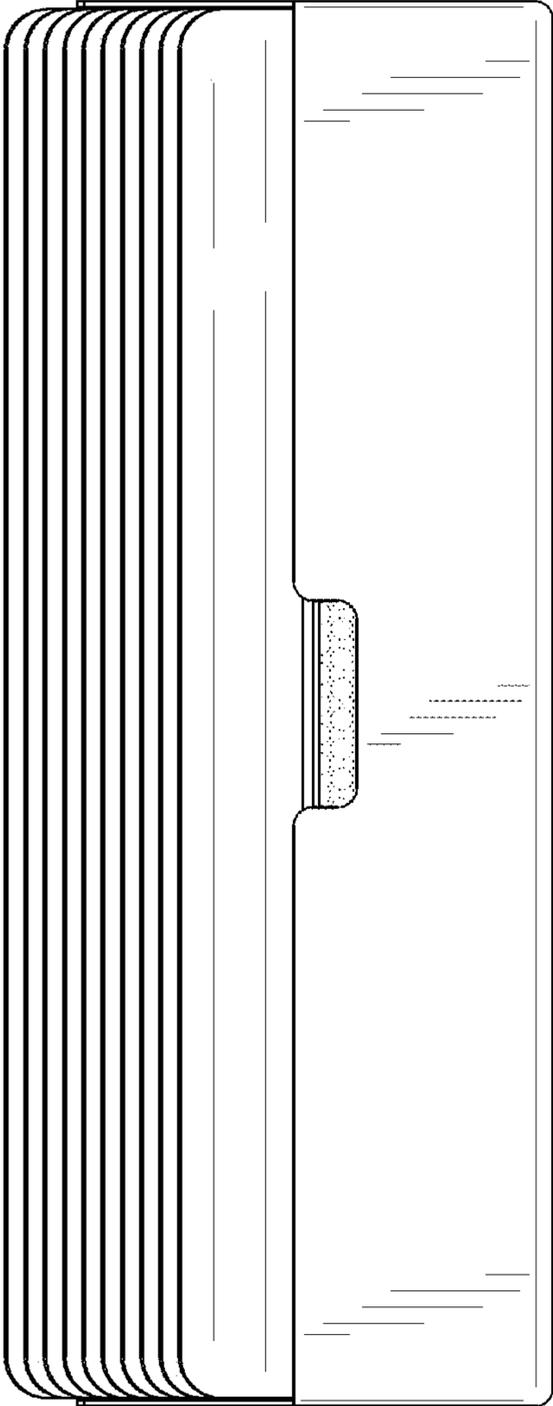


FIG. 23

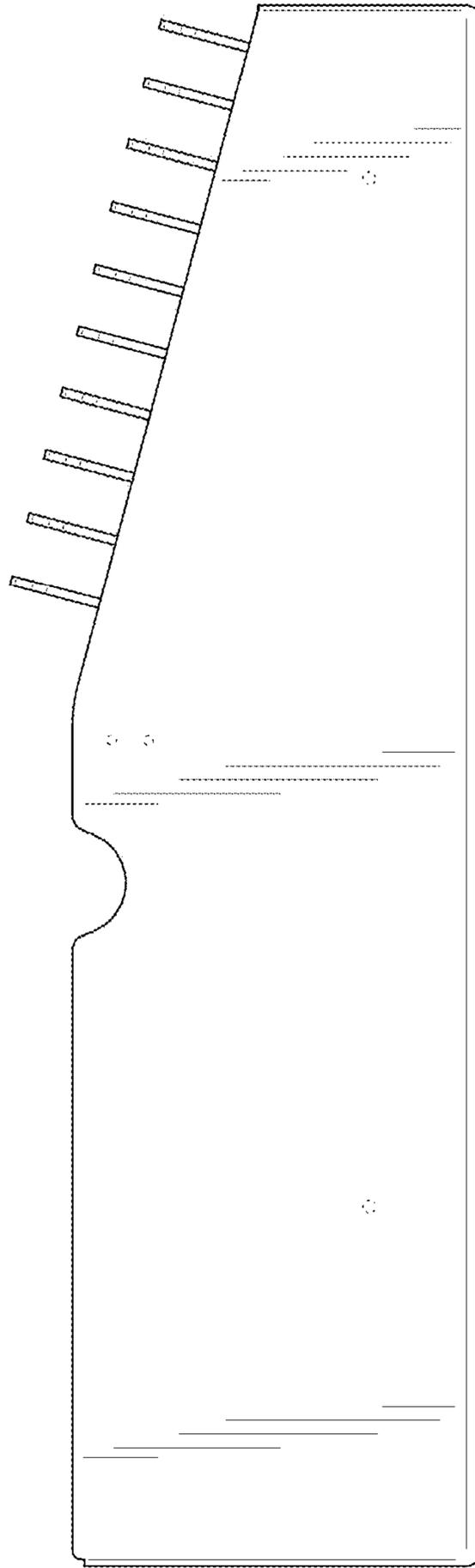


FIG. 24

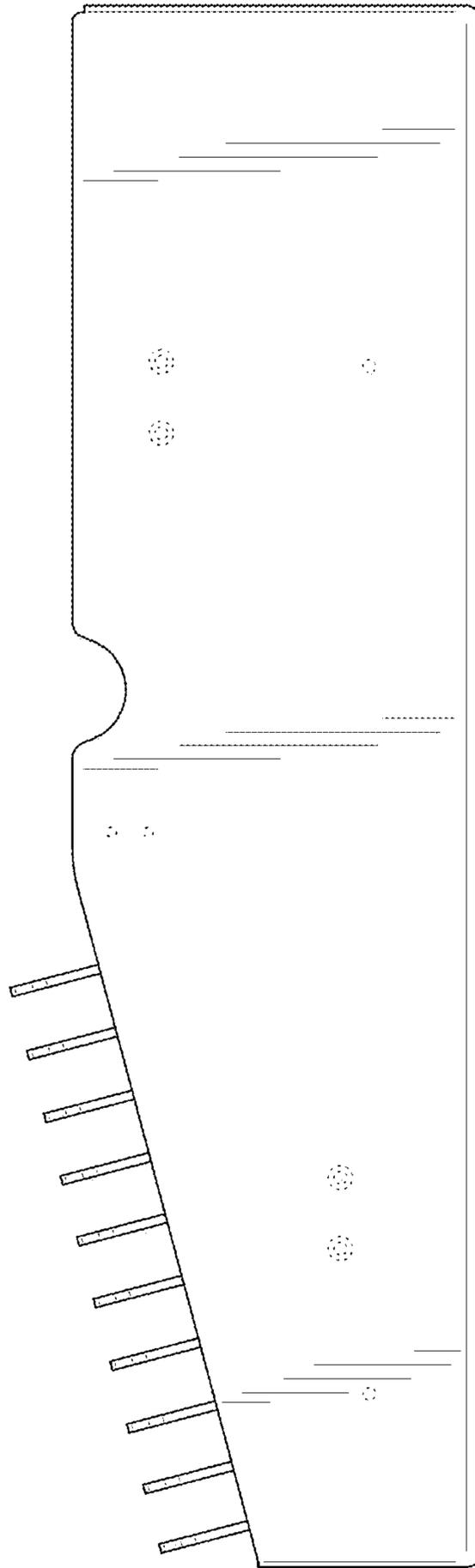


FIG. 25

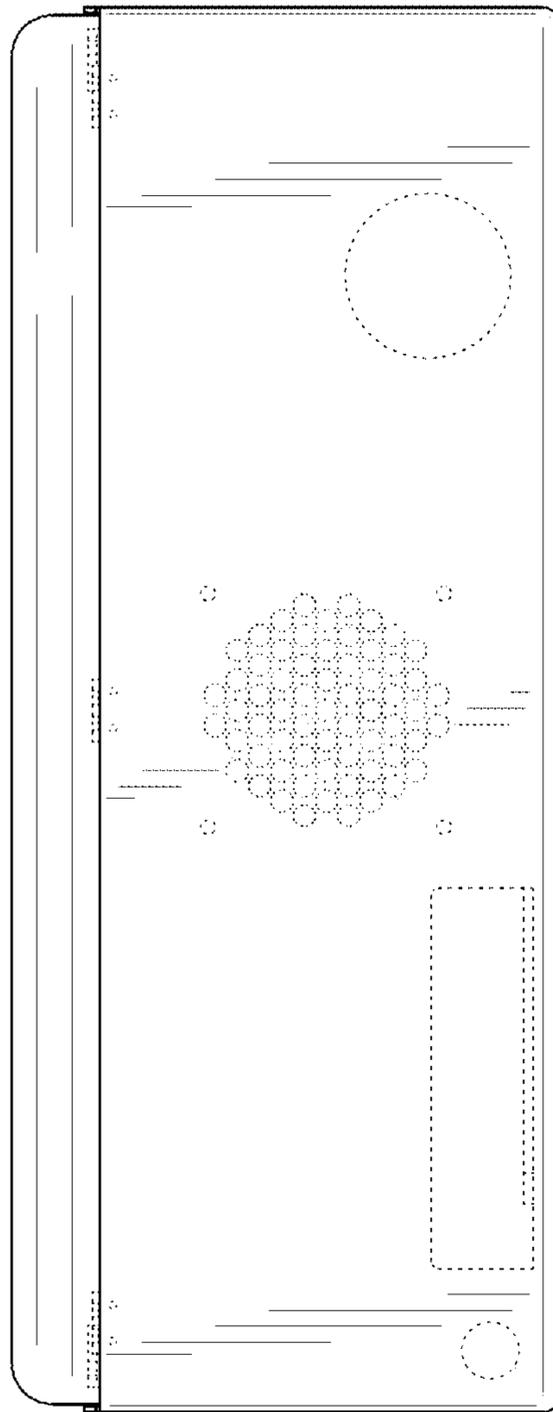


FIG. 26

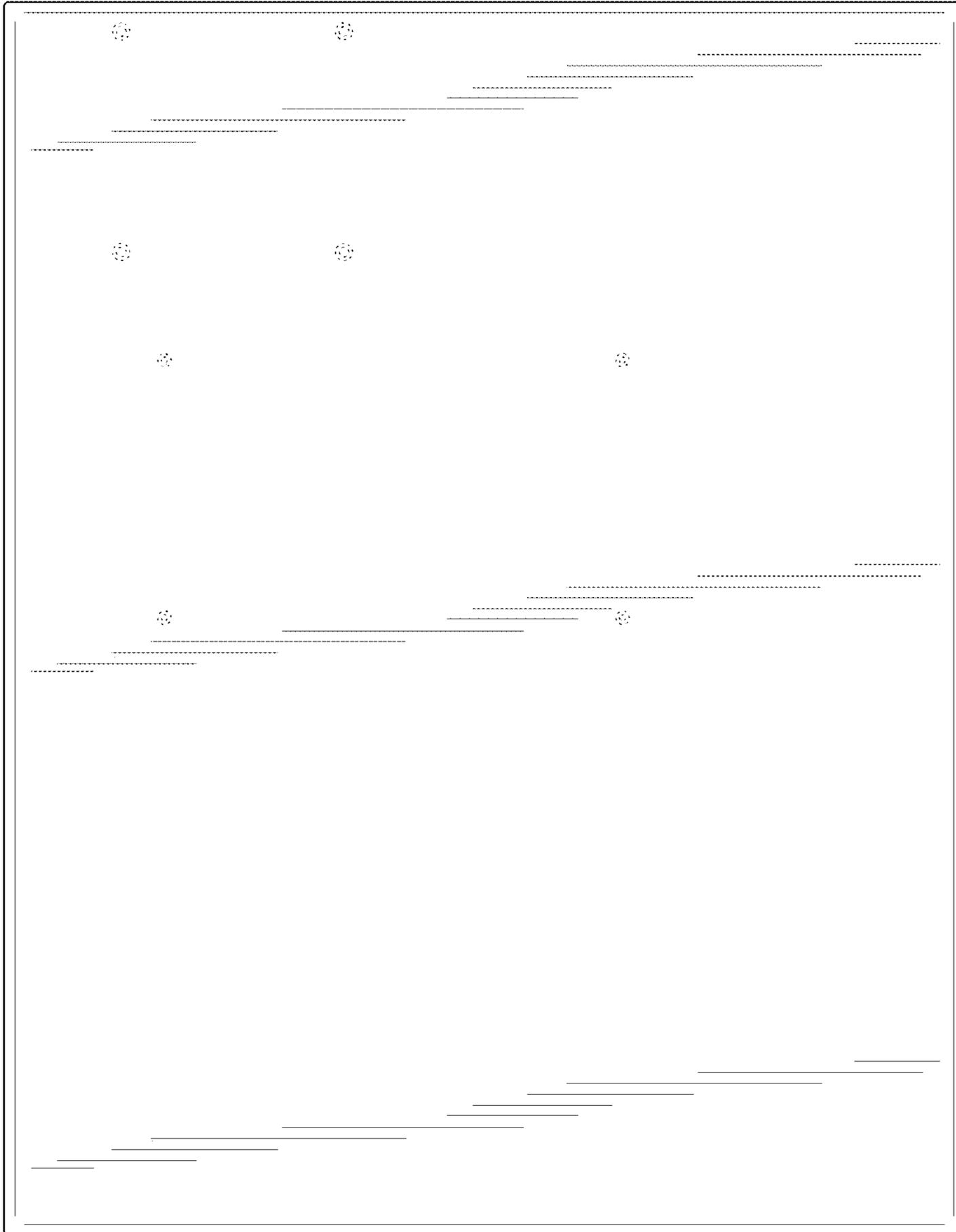


FIG. 27