



US00D925939S

(12) **United States Design Patent** (10) **Patent No.:** **US D925,939 S**
Lee (45) **Date of Patent:** **** Jul. 27, 2021**

(54) **BACKREST FOR A CHAIR**

(71) Applicant: **GoPlus Corp.**, Fontana, CA (US)
(72) Inventor: **Raymond Lee**, Houston, TX (US)
(73) Assignee: **GoPlus Corp.**, Fontana, CA (US)

(**) Term: **15 Years**

(21) Appl. No.: **29/712,191**

(22) Filed: **Nov. 6, 2019**

(51) **LOC (13) Cl.** **06-01**

(52) **U.S. Cl.**
USPC **D6/371**

(58) **Field of Classification Search**
USPC D6/334, 366, 371, 376, 380, 601, 716,
D6/716.4, 716.5
CPC A47C 1/024; A47C 1/023; A47C 1/022;
A47C 1/0305; A47C 1/0307; A47C
1/0308; A47C 1/03; A47C 3/30; A47C
31/12; A47C 7/14; A47C 7/024; A47C
7/006; A47C 7/004; A47C 7/30; A47C
7/38; A47C 7/40; A47C 7/44; A47C 7/46;
A47C 7/54; A47C 7/402; A47C 7/405;
A47C 7/443; A47C 7/448; A47C 7/543;
B60N 2/02; G05B 15/02
See application file for complete search history.

(56) **References Cited**

U.S. PATENT DOCUMENTS

D145,781 S 1/1946 Duer
2,571,209 A * 10/1951 Cramer A47C 7/185
267/145
D214,316 S 6/1969 Dukes
D218,420 S 8/1970 Weidner
D346,070 S 4/1994 Kither
D363,169 S 10/1995 Burstein
7,278,688 B1 * 10/2007 Hung A47C 7/024
297/285

(Continued)

OTHER PUBLICATIONS

“Kensington Smartfit Conform Back Rest (K60412WW),Black”
Dec. 21, 2017, amazon.com, site visited Dec. 17, 2020 <<https://www.amazon.com/Kensington-Smartfit-Conform-Back-K60412WW/dp/B016Y1MMZE#customerReviews>> (Year: 2017).*

(Continued)

Primary Examiner — Kevin K Rudzinski

Assistant Examiner — Paul D Bohannon

(74) *Attorney, Agent, or Firm* — Troutman Pepper
Hamilton Sanders LLP

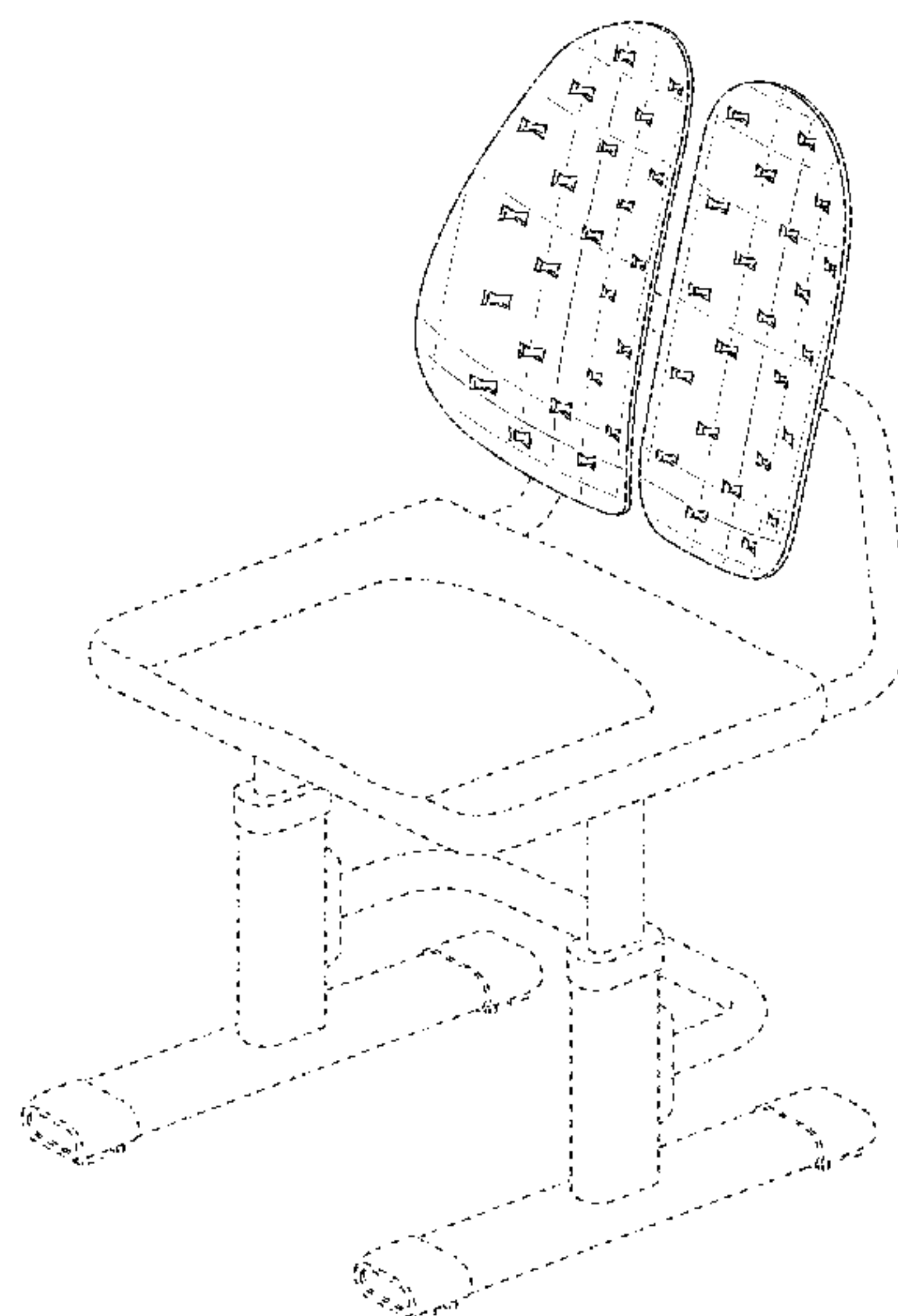
(57) **CLAIM**

I claim the ornamental design for a backrest for a chair, as shown and described.

DESCRIPTION

FIG. 1 is an upper perspective view of the backrest for a chair;
FIG. 2 is a lower perspective view of the design shown in FIG. 1;
FIG. 3 is a front plan view of the design shown in FIG. 1;
FIG. 4 is a back plan view of the design shown in FIG. 1;
FIG. 5 is a left side plan view of the design shown in FIG. 1;
FIG. 6 is a right side plan view of the design shown in FIG. 1;
FIG. 7 is a top plan view of the design shown in FIG. 1; and,
FIG. 8 is a bottom plan view of the design shown in FIG. 1.
The broken lines shown in the drawings are for the purpose of illustrating environmental subject matter and form no part of the claimed design. The shade lines shown represent surface shading and not surface ornamentation, color, or material type.

1 Claim, 8 Drawing Sheets



(56)

References Cited

U.S. PATENT DOCUMENTS

D565,872 S * 4/2008 Huang D6/716.4
 D574,644 S * 8/2008 Collings D6/716.5
 D580,689 S * 11/2008 Su D6/366
 D582,707 S * 12/2008 Solomon D6/366
 D677,917 S * 3/2013 Mao D6/366
 D692,679 S 11/2013 Wei
 D751,306 S 3/2016 Winningham
 D799,234 S * 10/2017 Mao D6/380
 D801,742 S * 11/2017 Nakamura D6/716.4
 D811,144 S * 2/2018 Li D6/716
 D826,614 S * 8/2018 Chu D6/716.4
 D828,701 S * 9/2018 Liu D6/601
 D888,481 S * 6/2020 Ericsson D6/716.4
 D899,142 S * 10/2020 Federl D6/601
 2007/0246988 A1 * 10/2007 Hung A47C 1/023
 297/353
 2008/0036261 A1 * 2/2008 Yang A47C 7/448
 297/354.11

2010/0148554 A1 * 6/2010 Yang A47C 7/443
 297/291
 2012/0133186 A1 * 5/2012 Chen A47C 7/405
 297/353
 2017/0099952 A1 * 4/2017 Ha A47C 7/006
 2018/0235377 A1 * 8/2018 Choi G05B 15/02
 2020/0138197 A1 * 5/2020 Ou A47C 7/446

OTHER PUBLICATIONS

“Back Posture Support Cushion Dual Lumbar Pad For Lower Pain
 Massage Relief Fit On Chair Or Car Seat” Aug. 23, 2019, www.
 qoo10.sg, site visited Dec. 17, 2020 <[https://www.qoo10.sg/item/
 BACK-POSTURE-SUPPORT-CUSHION-DUAL-LUMBAR-PAD-
 FOR-LOWER-PAIN-MASSAGE/490281463](https://www.qoo10.sg/item/BACK-POSTURE-SUPPORT-CUSHION-DUAL-LUMBAR-PAD-FOR-LOWER-PAIN-MASSAGE/490281463)> (Year: 2019).*
 Mecor, Kids Desk and Chair Set, [https://www.amazon.com/Mecor-
 Children-Inclined-Tabletip-Ergonomic/dp/B07MDKRZ](https://www.amazon.com/Mecor-Children-Inclined-Tabletip-Ergonomic/dp/B07MDKRZ).

* cited by examiner

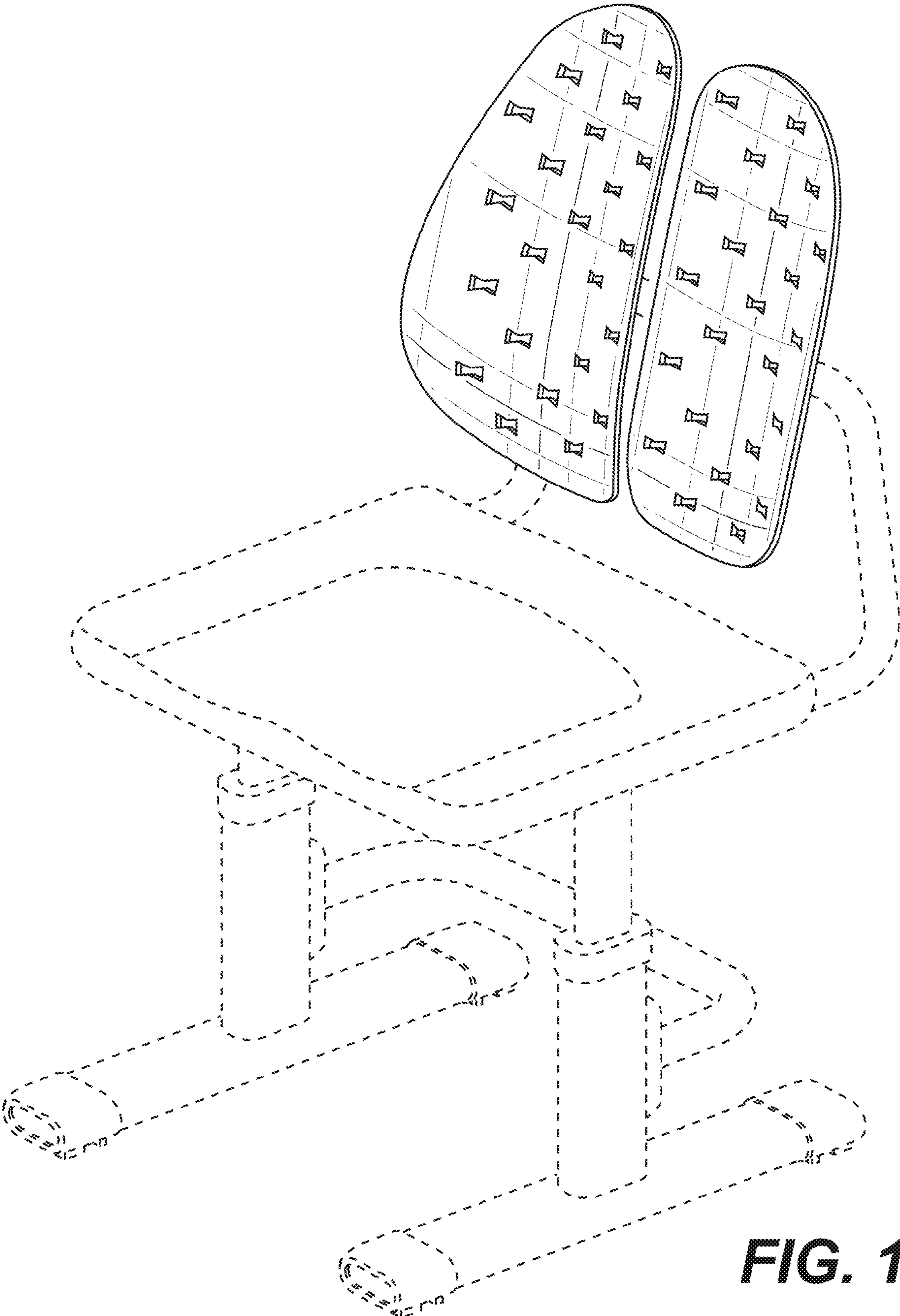


FIG. 1

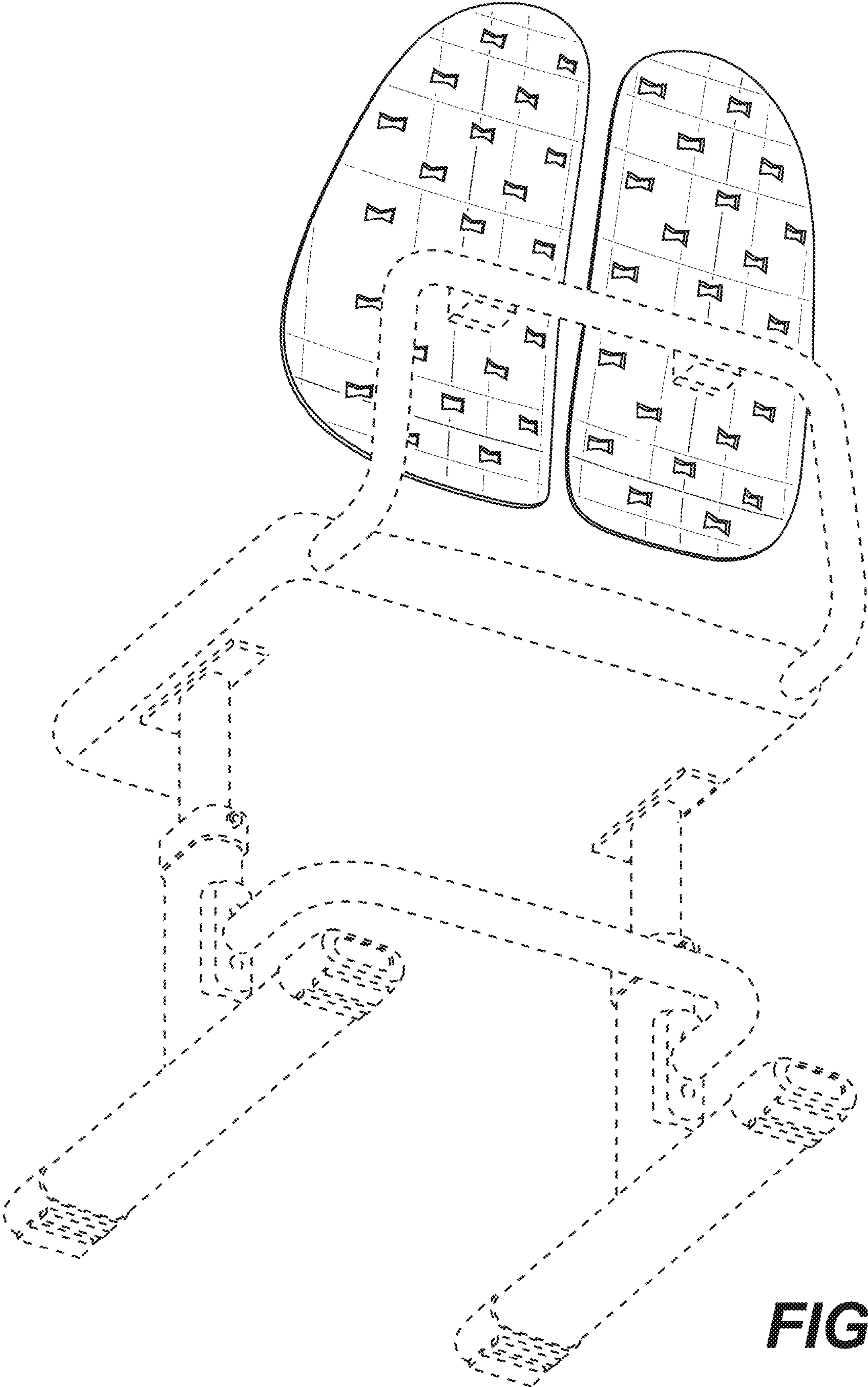


FIG. 2

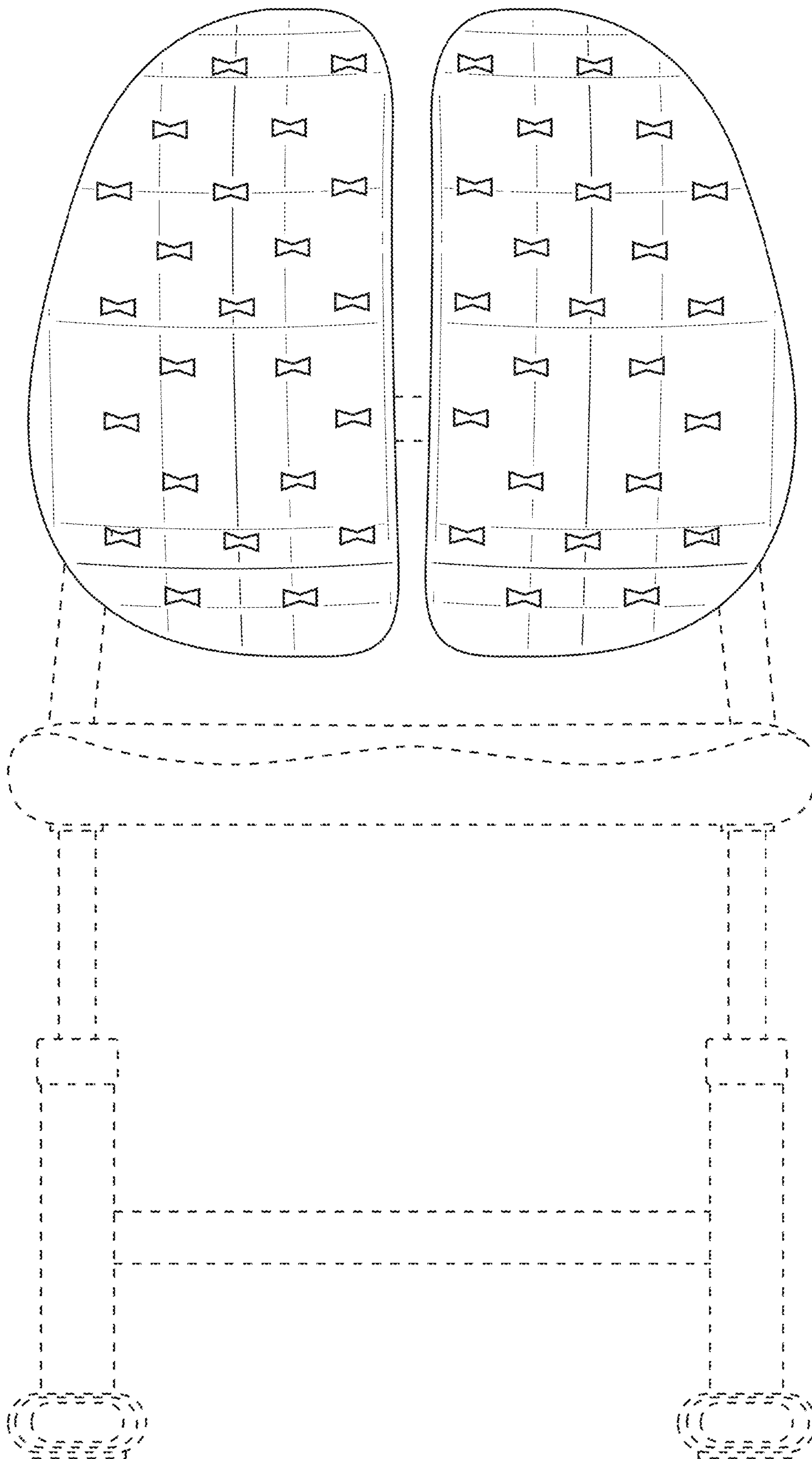


FIG. 3

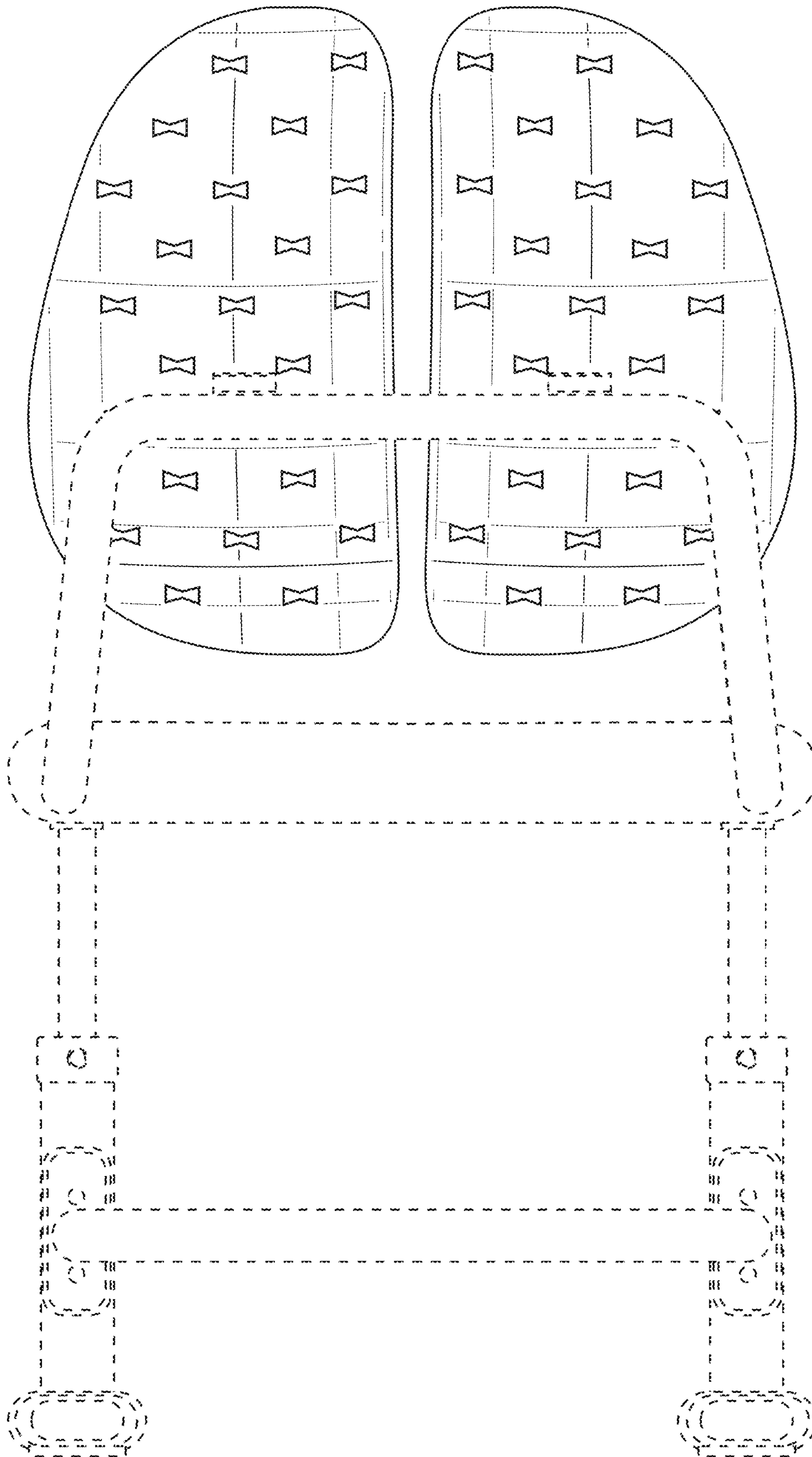


FIG. 4

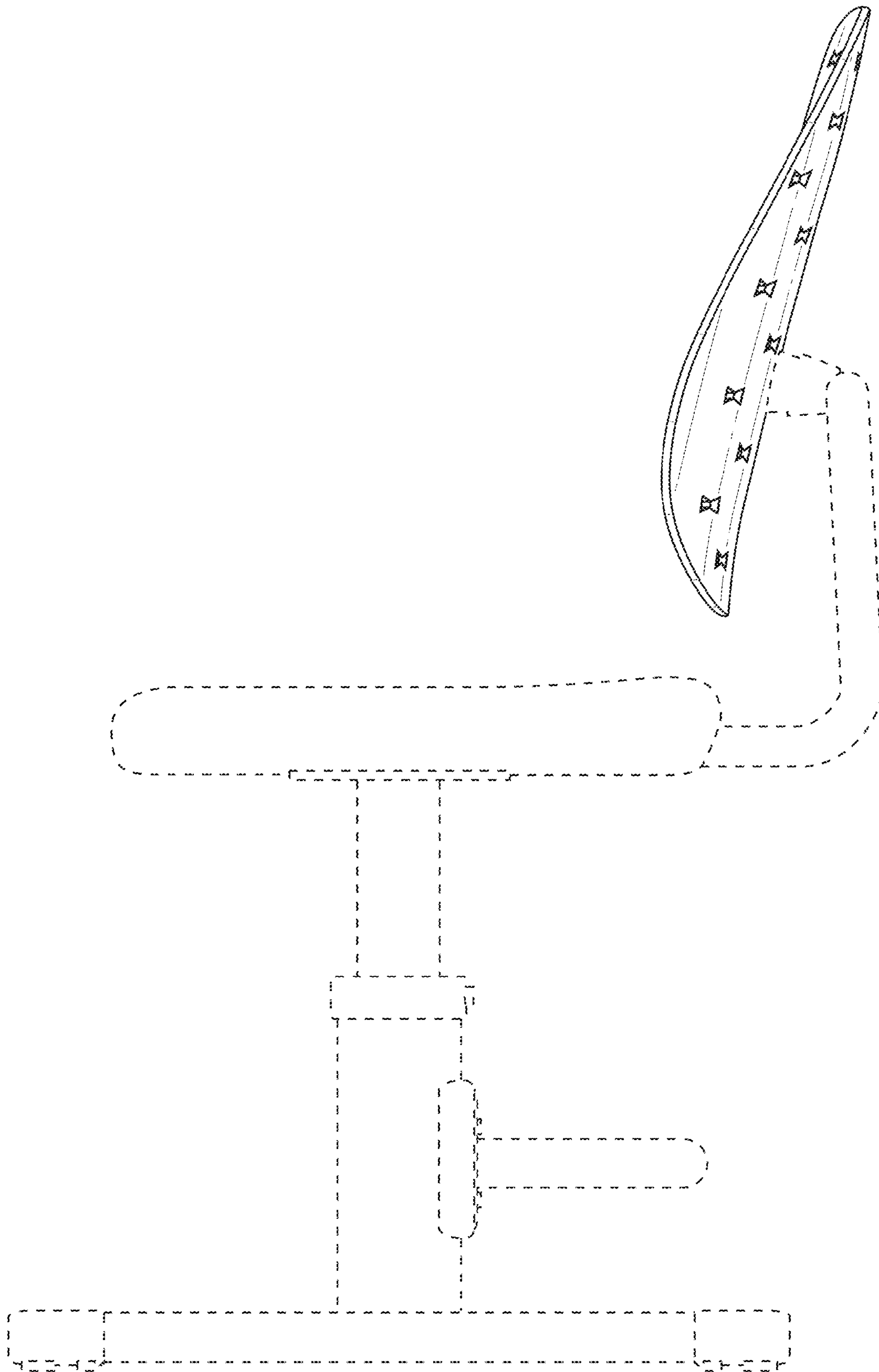


FIG. 5

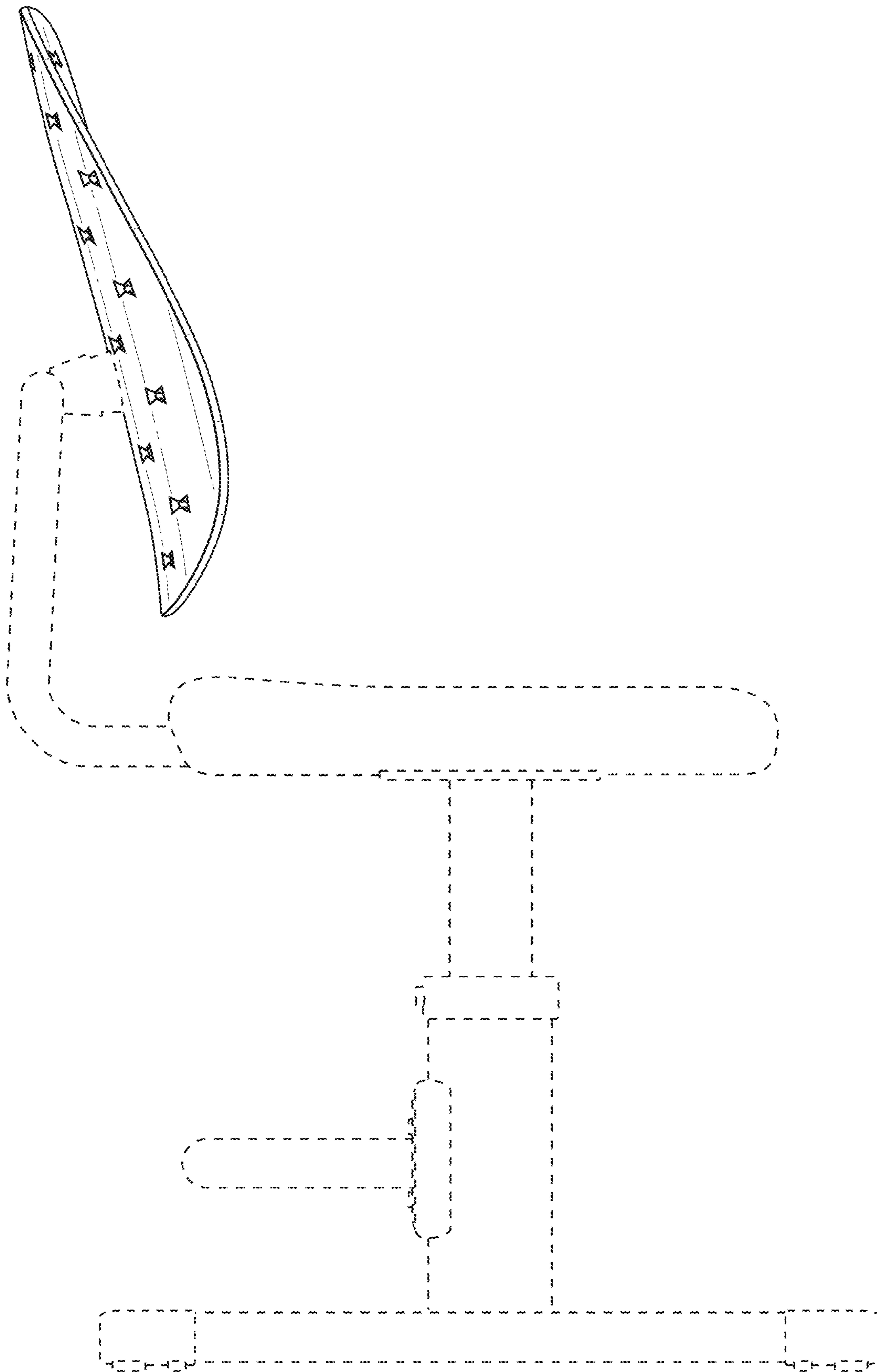


FIG. 6

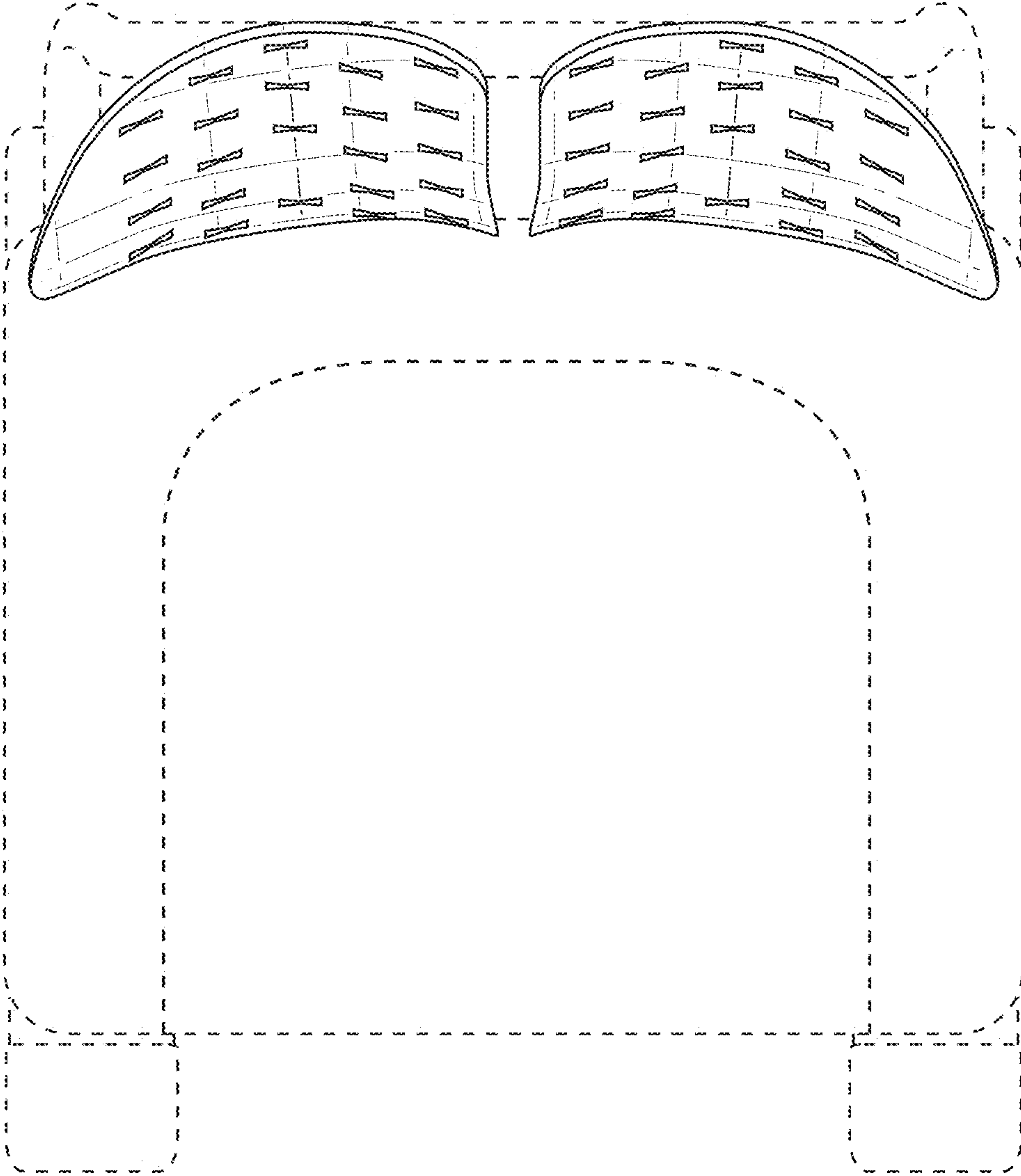


FIG. 7

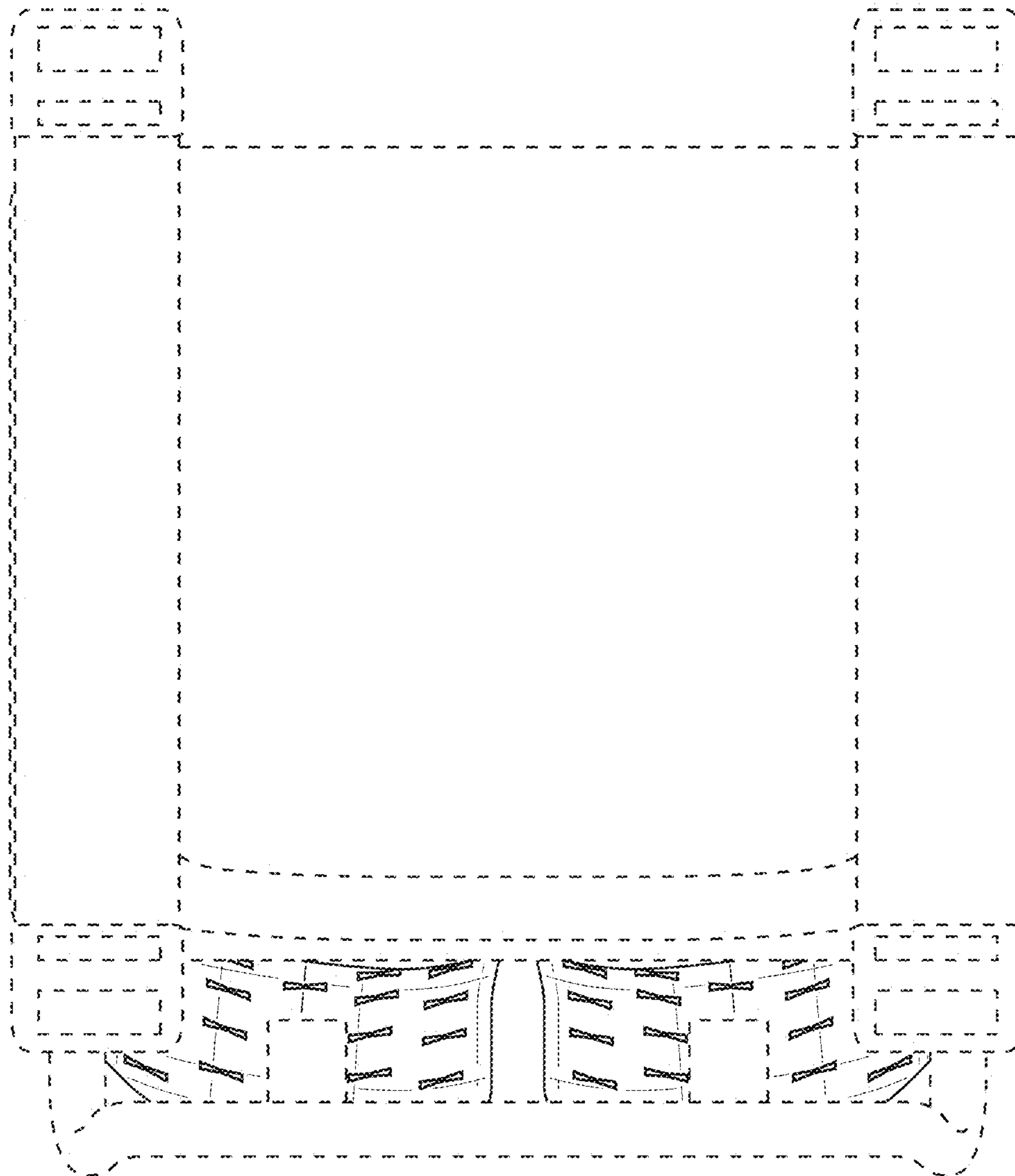


FIG. 8