



US00D925936S

(12) **United States Design Patent**  
**Zhou**

(10) **Patent No.:** **US D925,936 S**  
(45) **Date of Patent:** **\*\* Jul. 27, 2021**

- (54) **SWIVEL CHAIR**
- (71) Applicant: **Kai Zhou**, Zhejiang (CN)
- (72) Inventor: **Kai Zhou**, Zhejiang (CN)
- (\*\*) Term: **15 Years**
- (21) Appl. No.: **29/680,161**
- (22) Filed: **Feb. 14, 2019**
- (51) **LOC (13) Cl.** ..... **06-01**
- (52) **U.S. Cl.**  
USPC ..... **D6/366**
- (58) **Field of Classification Search**  
USPC ..... D6/334-336, 356, 364, 365, 366, 367,  
D6/374, 379, 716, 716.1, 716.2, 716.3,  
D6/716.4, 716.5  
CPC ..... A47C 4/028; A47C 7/004; A47C 7/006;  
A47C 7/18; A47C 7/24; A47C 7/38;  
A47C 7/40; A47C 7/54; B60N 2/66;  
B60N 2/02; B60N 2/20; B60N 2/22;  
B60N 2/58  
See application file for complete search history.

(56) **References Cited**

**U.S. PATENT DOCUMENTS**

D317,534 S *	6/1991	Hansel .....	D6/356
D321,095 S *	10/1991	Bockwoldt .....	D6/356
D509,077 S *	9/2005	Beermann .....	D6/356
D532,211 S *	11/2006	Su .....	D6/366
D536,543 S *	2/2007	Hsu .....	D6/356
D542,547 S *	5/2007	Su .....	D6/366
D549,475 S *	8/2007	Su .....	D6/356

7,458,644 B2 *	12/2008	Beermann .....	B60N 2/20 297/378.1
D591,068 S *	4/2009	Corradi .....	D6/356
D616,212 S *	5/2010	Rosenbohm .....	D6/356
D694,031 S *	11/2013	Ritzel .....	D6/356
8,592,020 B2 *	11/2013	Fujita .....	B60N 2/58 428/57
D696,035 S *	12/2013	Hatter .....	D6/356
D854,846 S *	7/2019	Shen .....	D6/366
D856,696 S *	8/2019	Shen .....	D6/366
D856,697 S *	8/2019	Shen .....	D6/366
D856,698 S *	8/2019	Shen .....	D6/366
D859,865 S *	9/2019	Berlinches .....	D6/366
D869,214 S *	12/2019	Chen .....	D6/716

\* cited by examiner

*Primary Examiner* — Mimosa De

(57) **CLAIM**

The ornamental design for a swivel chair, as shown and described.

**DESCRIPTION**

FIG. 1 is a perspective view of a swivel chair showing my new design;  
 FIG. 2 is a front elevational view thereof;  
 FIG. 3 is a top plan view thereof;  
 FIG. 4 is a left side elevational view thereof;  
 FIG. 5 is a rear elevational view thereof;  
 FIG. 6 is a right side view thereof; and,  
 FIG. 7 is a bottom plan view thereof.  
 The broken lines in the drawings illustrate portions of the swivel chair that form no part of the claimed design.

**1 Claim, 7 Drawing Sheets**





FIG. 1

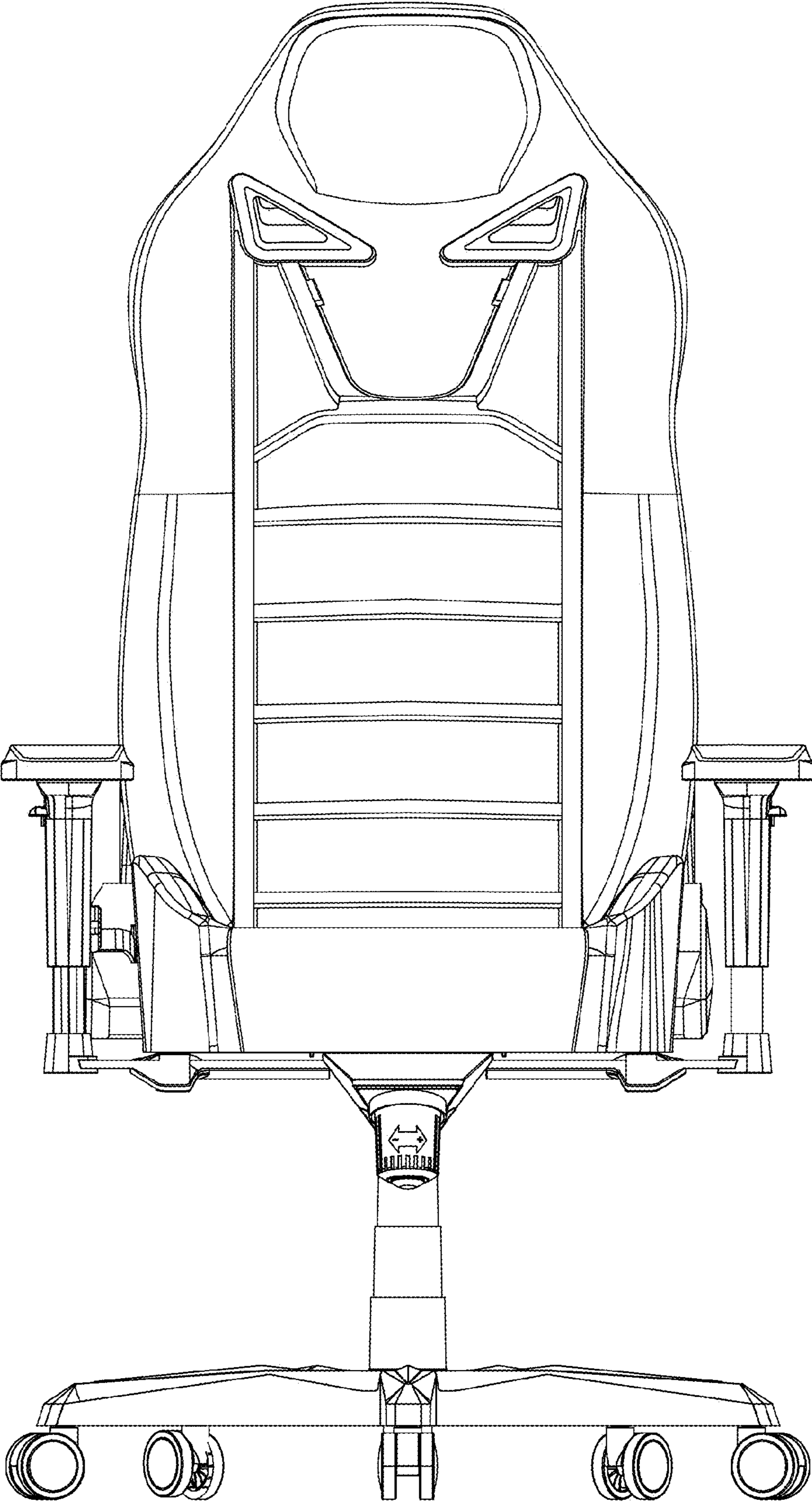


FIG. 2

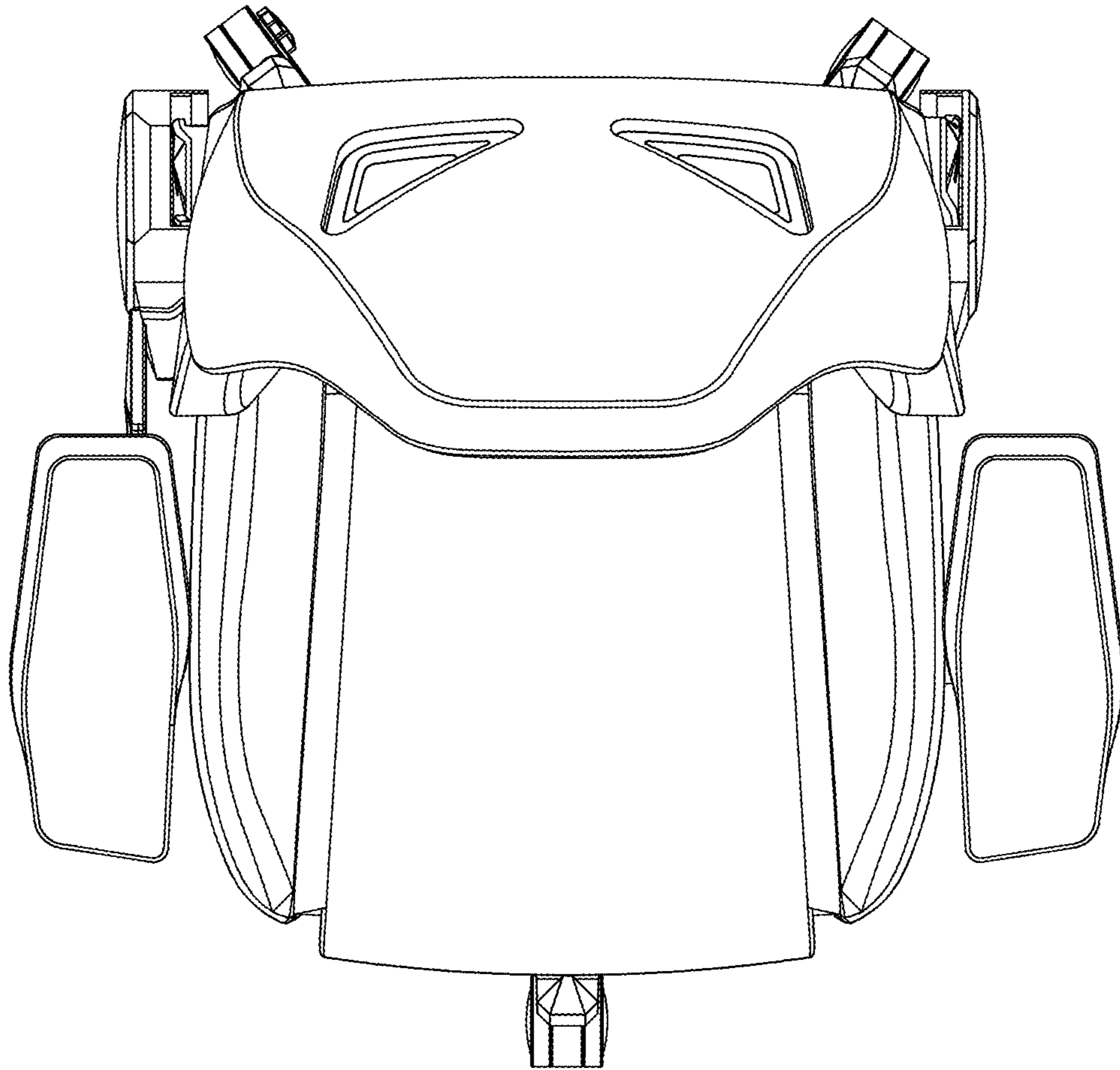


FIG. 3

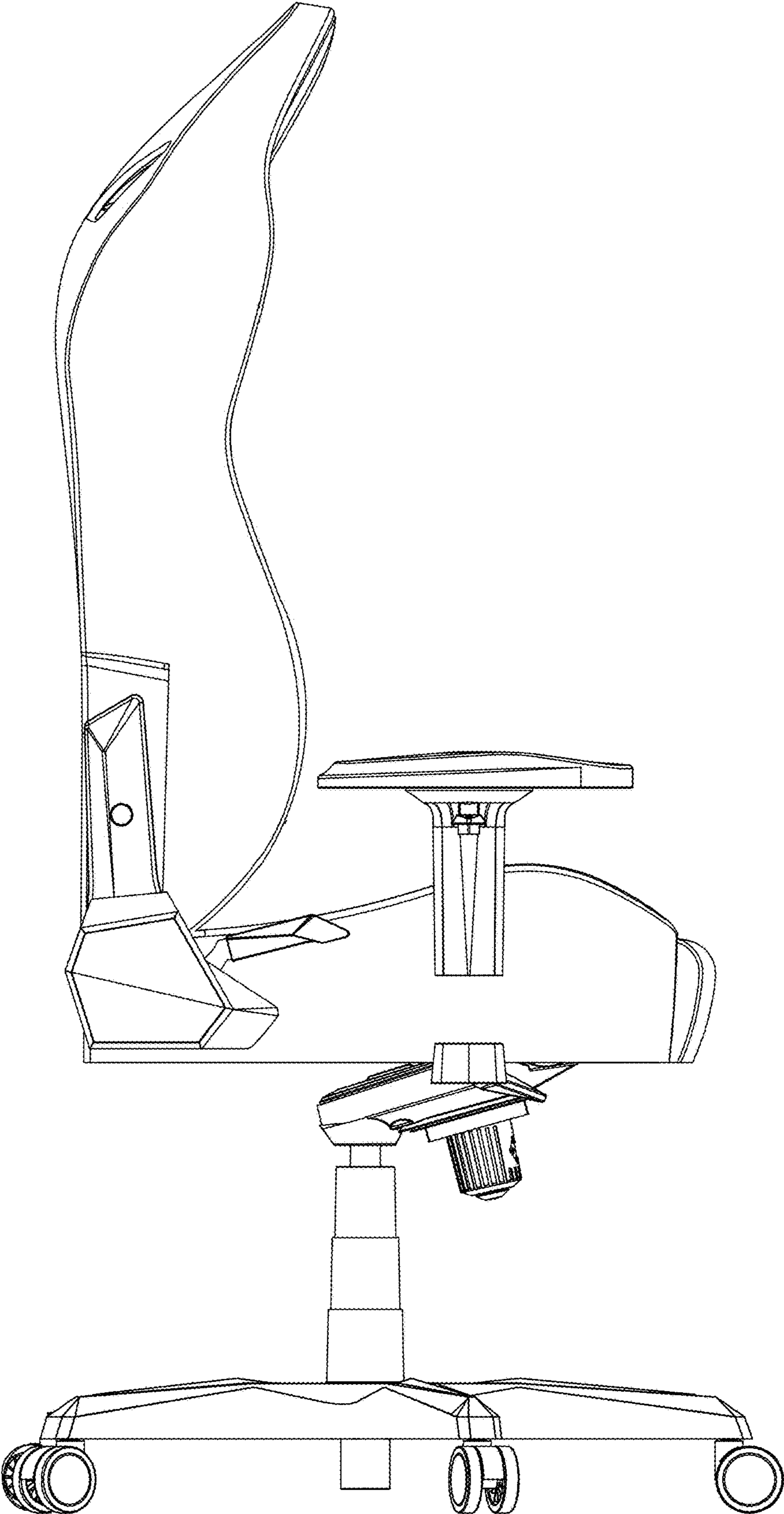


FIG. 4

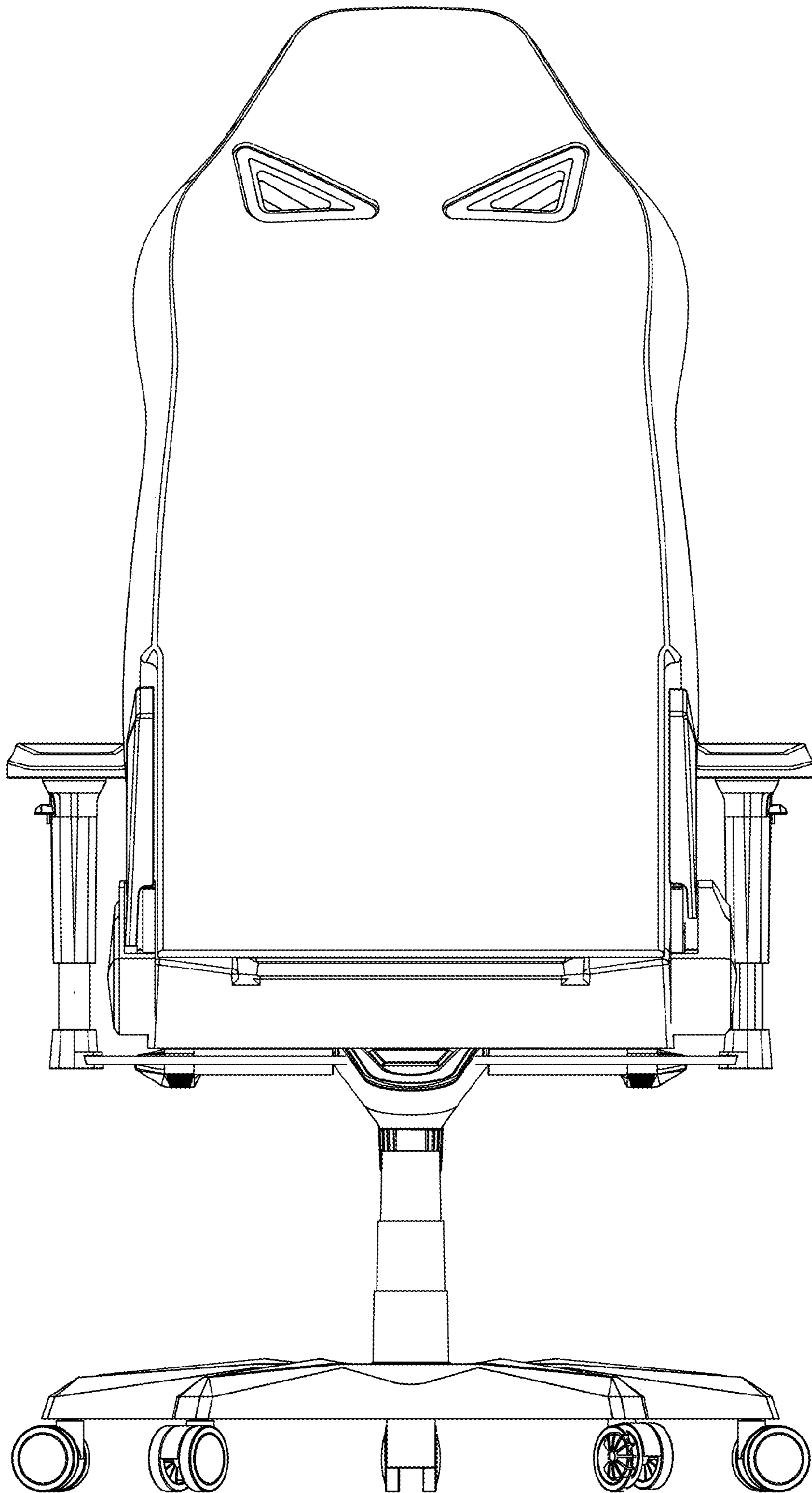


FIG. 5

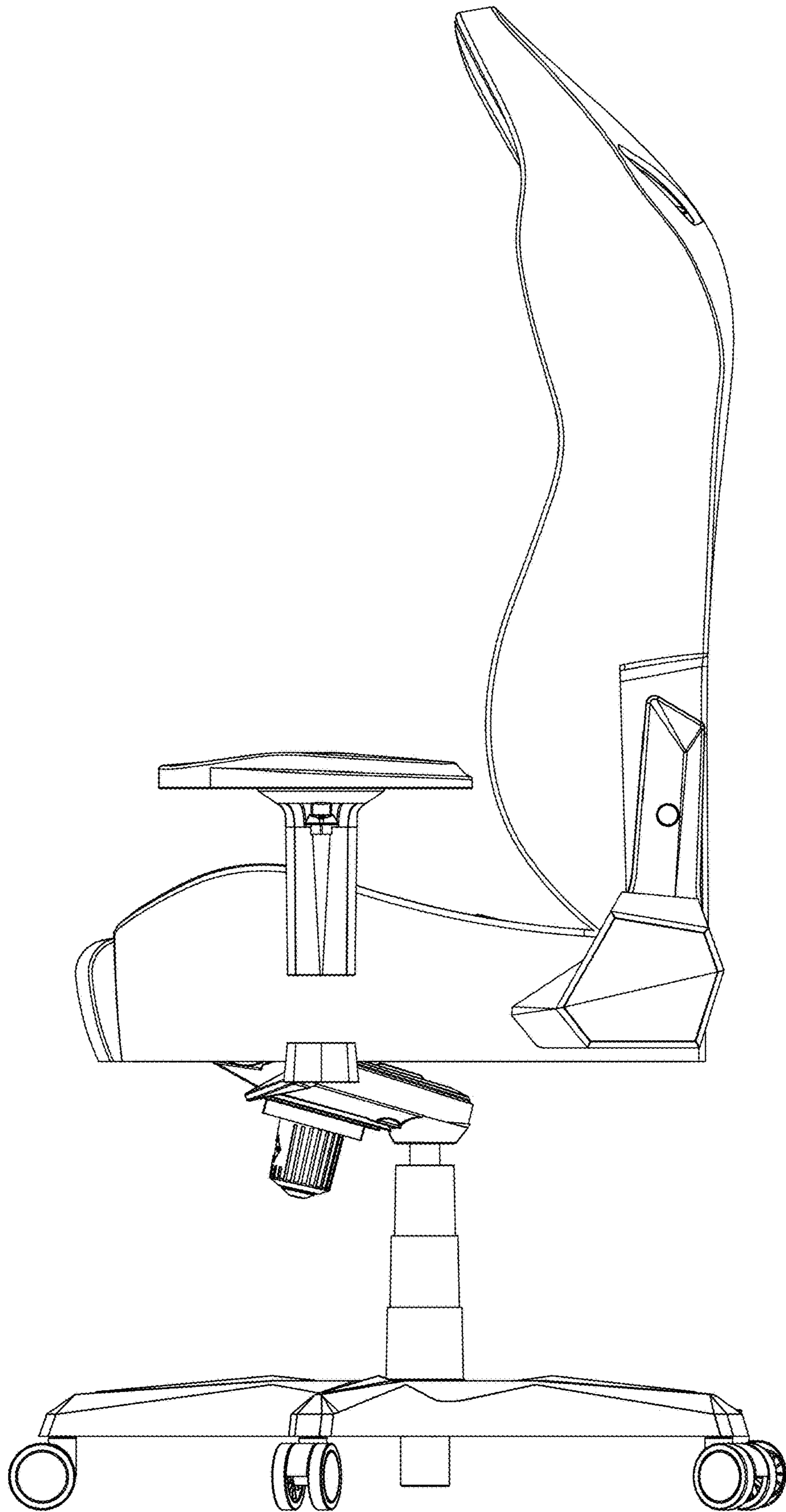


FIG. 6

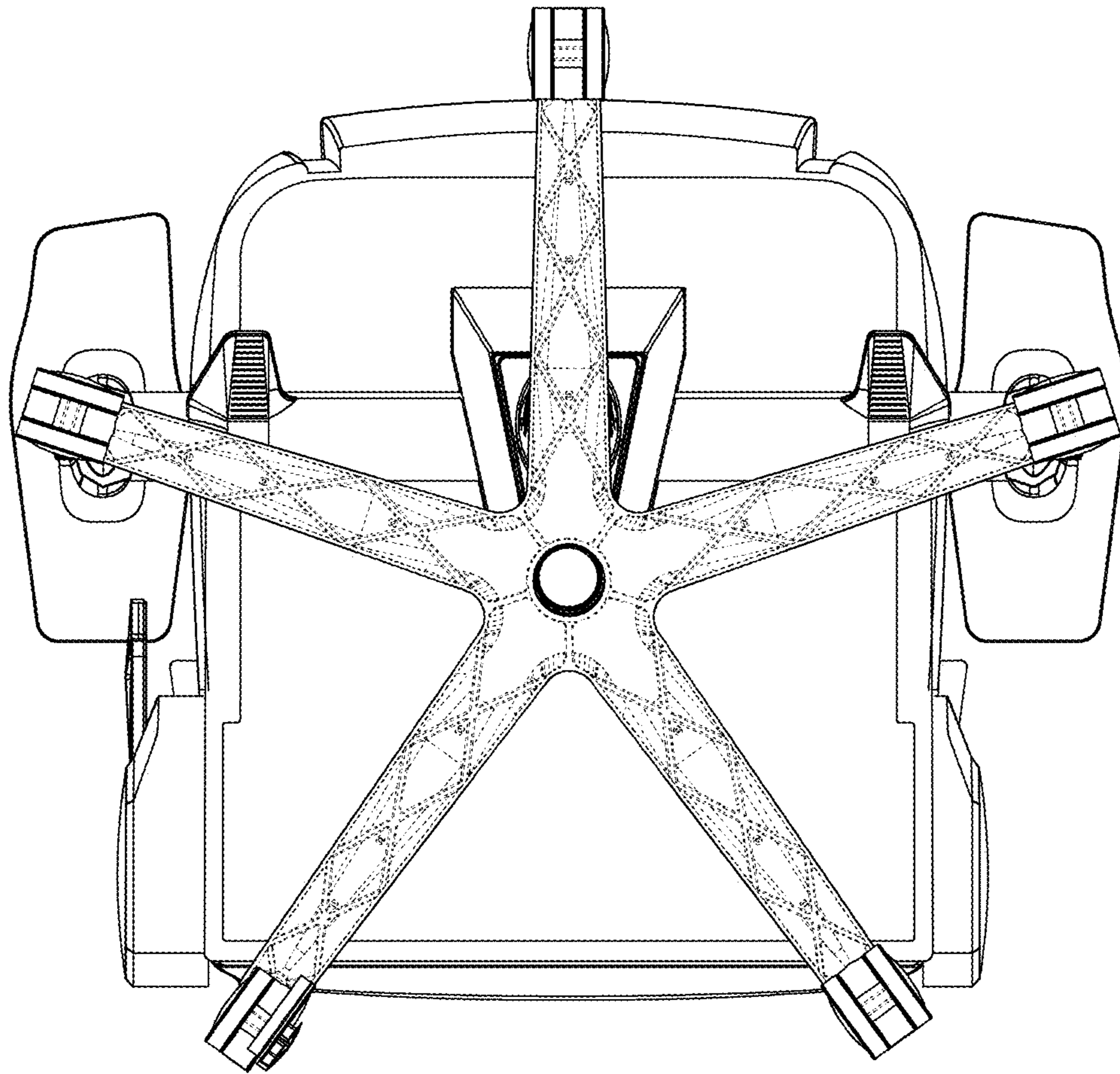


FIG. 7