



US00D925935S

(12) **United States Design Patent**
Marsden

(10) **Patent No.:** **US D925,935 S**

(45) **Date of Patent:** **** Jul. 27, 2021**

(54) **STEP STOOL**

(71) Applicant: **Elbee Pty Ltd.**, Bondi Junction (AU)

(72) Inventor: **Andrew Marsden**, Hingham, MA (US)

(73) Assignee: **Elbee Pty Ltd.**, Bondi Junction (AU)

(**) Term: **15 Years**

(21) Appl. No.: **29/724,992**

(22) Filed: **Feb. 20, 2020**

(51) **LOC (13) Cl.** **06-01**

(52) **U.S. Cl.**
USPC **D6/349**

(58) **Field of Classification Search**

USPC D6/334-338, 340-343, 349-353, 355,
D6/364-365, 691-691.9, 692-692.6,
D6/716-716.1; D25/65
CPC A47B 7/00-02; A47C 11/00; A47C 12/00;
A47C 13/00; A47C 16/00; A47C
16/02-04; A47C 9/00-105; A47K 17/02;
A47K 17/028

See application file for complete search history.

(56) **References Cited**

U.S. PATENT DOCUMENTS

D337,211 S *	7/1993	Bergkvist	D6/349
D349,540 S *	8/1994	Hand	D21/671
D449,386 S	10/2001	Cheris et al.	
D501,683 S *	2/2005	Hernandez	D25/65
D552,855 S *	10/2007	Rogers	D6/350
D561,482 S *	2/2008	Rogers	D6/349
D600,929 S	9/2009	Kemnitzer	
D606,768 S	12/2009	Tu	
D618,229 S *	6/2010	de Jong	D14/250
D630,864 S *	1/2011	Perelman	D6/351
D636,396 S *	4/2011	Li	D14/439
D666,182 S *	8/2012	Zheng	D14/248
D690,522 S *	10/2013	Pontiff	D6/349

D695,032 S *	12/2013	Buitendag	D6/349
D724,866 S *	3/2015	Johnson	D6/606
D743,091 S	11/2015	Degradis et al.	
10,123,669 B2	11/2018	Edwards	
D839,009 S *	1/2019	Garbus	D6/349
D865,386 S	11/2019	Sphikas et al.	
D904,046 S *	12/2020	Stroikov	D6/349
D904,047 S *	12/2020	Stroikov	D6/349
2014/0131138 A1 *	5/2014	Simpson	A47C 12/00 182/223

(Continued)

OTHER PUBLICATIONS

Playtex Surefoot Single Step Stool, [online] Retrieved Mar. 11, 2021 from URL: <https://www.target.com/p/playtex-surefoot-single-tier-step-stool-white/-/A-77377899>.*

(Continued)

Primary Examiner — Vy N Koenig
(74) *Attorney, Agent, or Firm* — Wolf, Greenfield & Sacks, P.C.

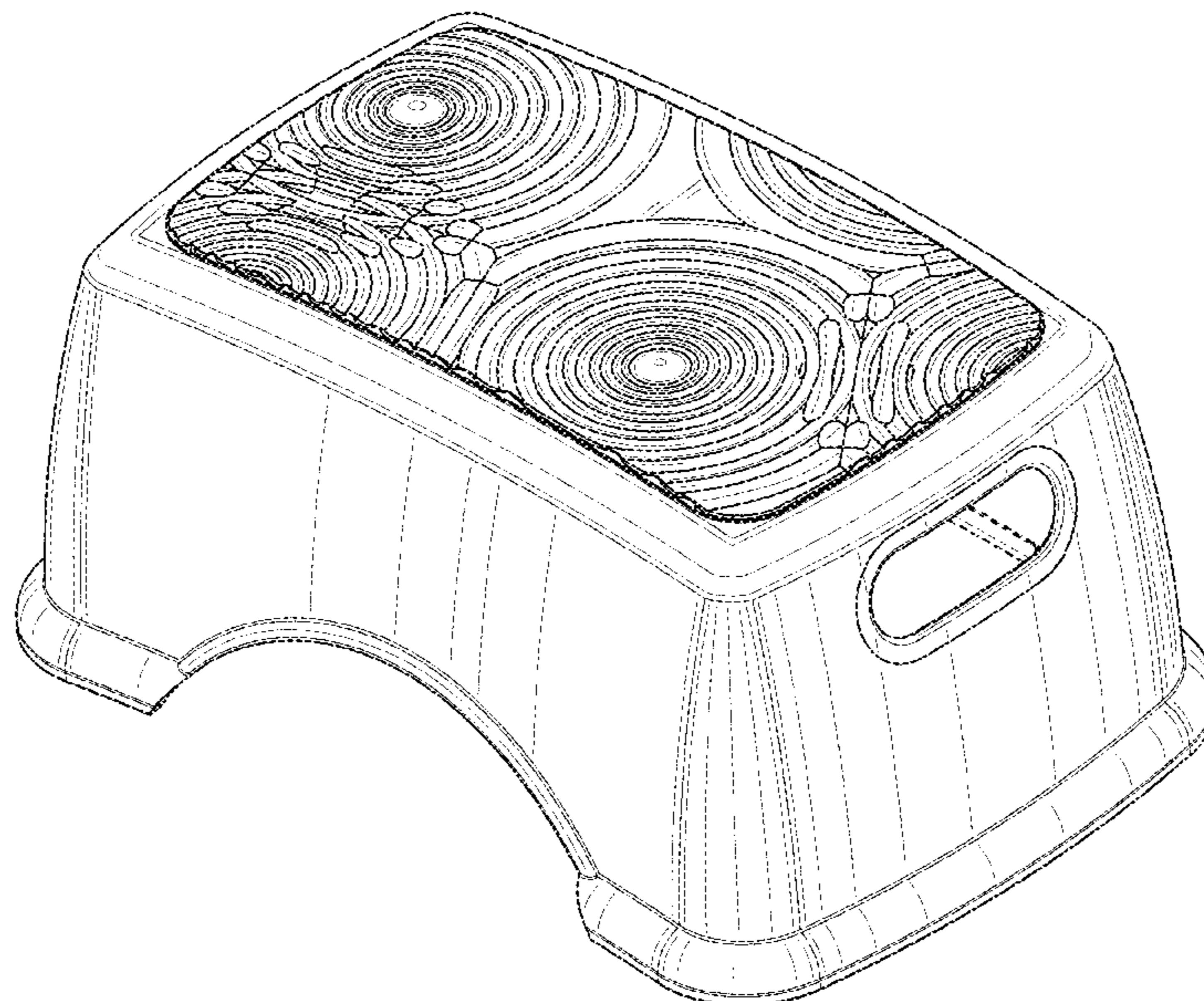
(57) **CLAIM**

The ornamental design for a step stool, as shown and described.

DESCRIPTION

FIG. 1 is a top, front, and right side perspective view of a step stool according to my new design; FIG. 2 is a top, front, and left side perspective view thereof; FIG. 3 is a front elevation view thereof; FIG. 4 is a rear elevation view thereof; FIG. 5 is a left side elevation view thereof; FIG. 6 is a right side elevation view thereof; FIG. 7 is a top plan view thereof; and, FIG. 8 is a bottom plan view thereof. The broken lines depict portions of the step stool that form no part of the claimed design.

1 Claim, 8 Drawing Sheets



(56)

References Cited

U.S. PATENT DOCUMENTS

2015/0359390 A1* 12/2015 Goetz A47C 3/04
4/611

OTHER PUBLICATIONS

Ubbi Step Stool, [online] Retrieved Mar. 11, 2021 from URL:
https://enlightenedbaby.com/product/ubbi-step-stool/?gclid=Cj0KCQiAnKeCBhDPARIsAFDTLTKRjaq61QtHsXxcvr2_Nf8Nw4fDOuztaOe8f8kTpme-S2BxQRptwjAaAh_oEALw_wcB.*

[No Author Listed] Rolling Step Stool—Black, Model No. H-7846BL.
Uline. https://www.uline.com/Product/Detail/H-7846BL/Ladders/Rolling-Step-Stool-Black?pricode=WB8203&gadtype=pla&id=H-7846BL&gclid=EAJaIQobChMIrOCd9pLj4wIVBVYMCh2rbgiyEAQYAyABEgLkBPD_BwE&gclsrc=aw_ds, publicly available at least as early as Aug. 4, 2019, 1 page.

[No Author Listed] Baby Bjorn Step Safe. Publicly available prior to Feb. 20, 2020. 1 page.

[No Author Listed] Dreambaby Step Stool. Publicly available prior to Feb. 20, 2019. 1 page.

[No Author Listed] Joovy StepTool. Publicly available prior to Feb. 20, 2020. 1 page.

[No Author Listed] Nuby Step Up Stool. Publicly available prior to Feb. 20, 2020. 1 page.

[No Author Listed] Oxo Tot Step Stool. Publicly available prior to Feb. 20, 2020. 1 page.

[No Author Listed] Primo Freedom Step Stool. Publicly available prior to Feb. 20, 2020. 1 page.

[No Author Listed] Prince Lionheart Step Stool Publicly available prior to Feb. 20, 2020. 1 page.

[No Author Listed] Step Stool C. Publicly available prior to Sep. 13, 2019, 1 page.

[No Author Listed] Ubbi Step Stool. Publicly available prior to Sep. 13, 2019, 1 page.

* cited by examiner

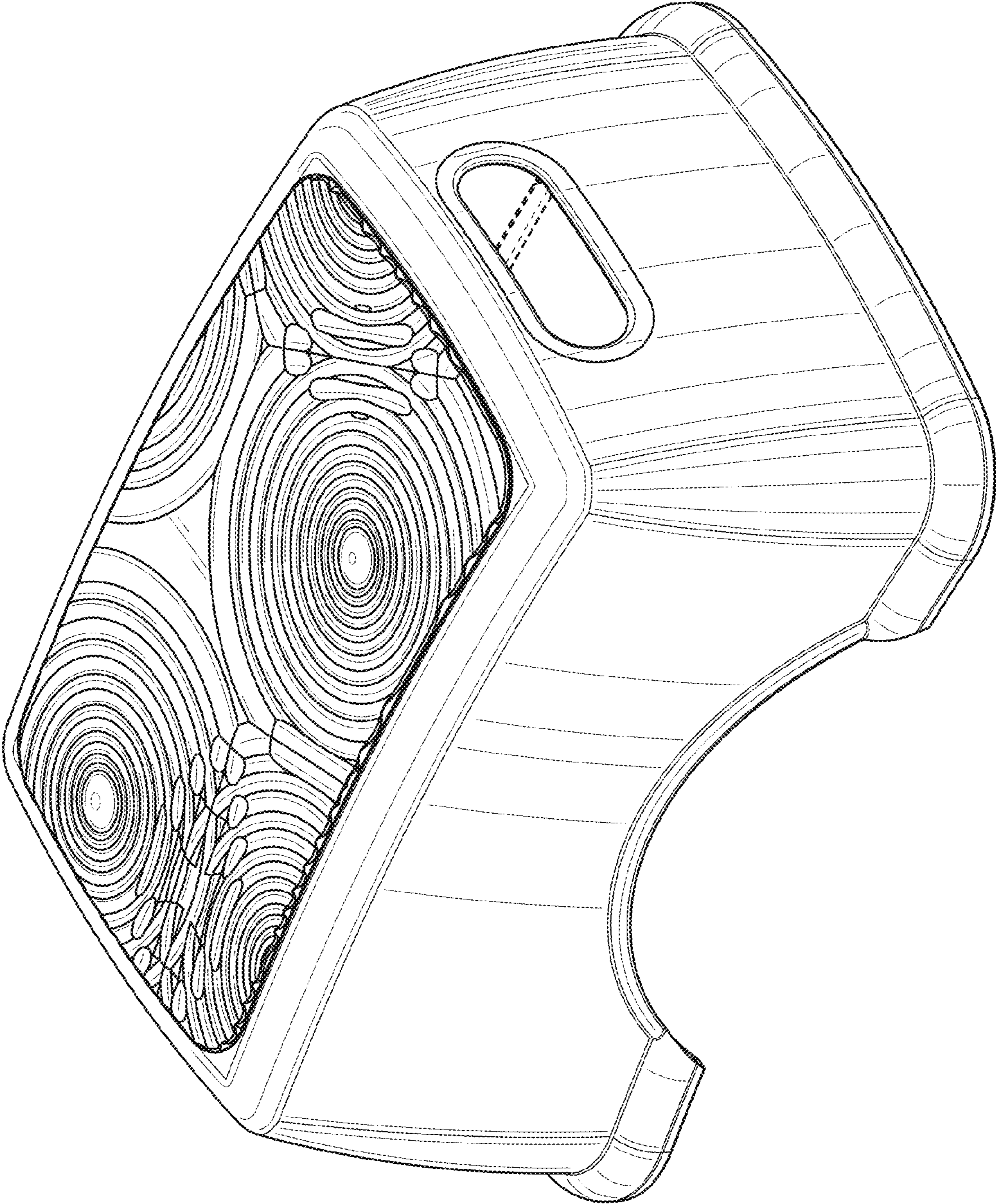


FIG. 1

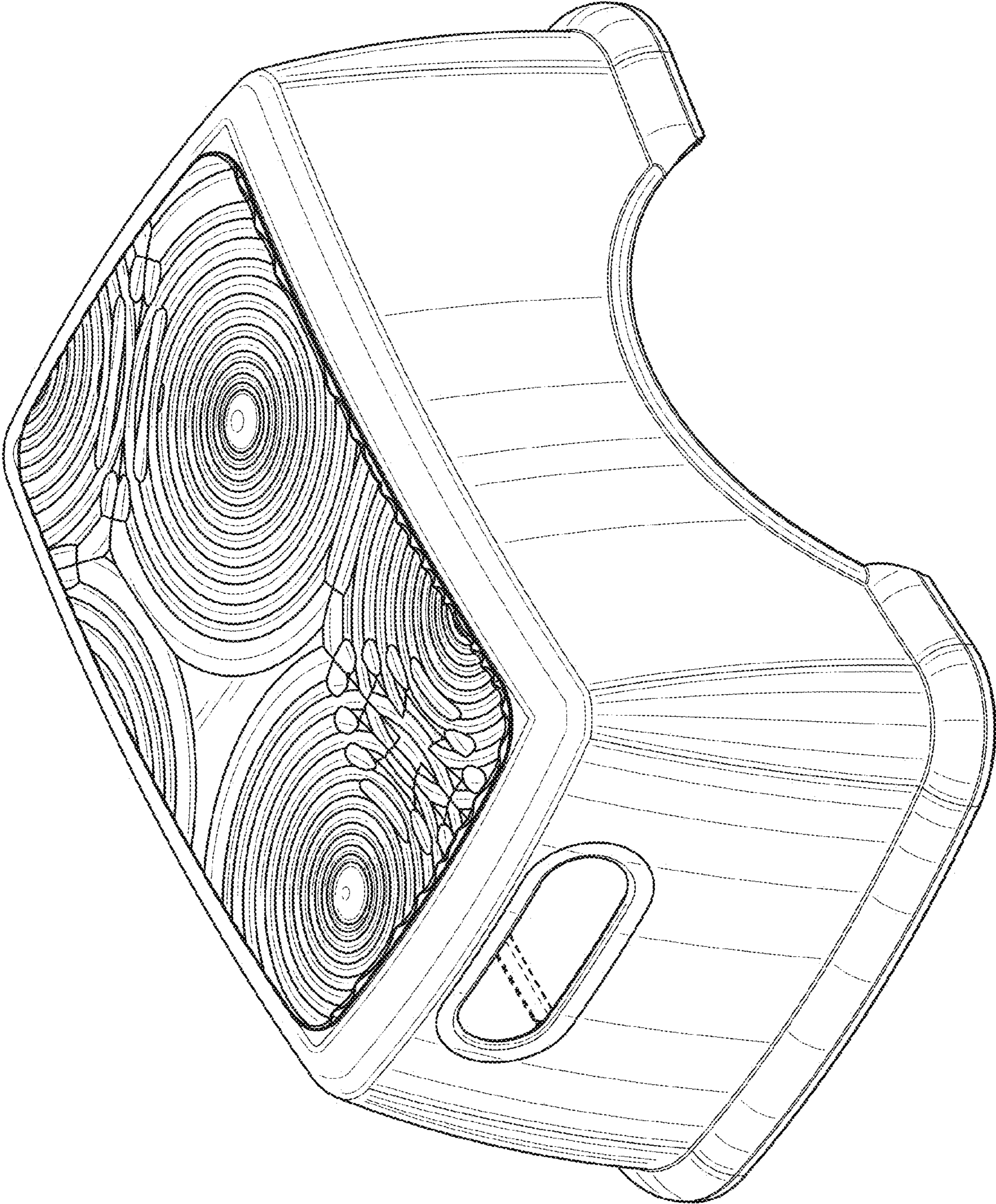


FIG. 2

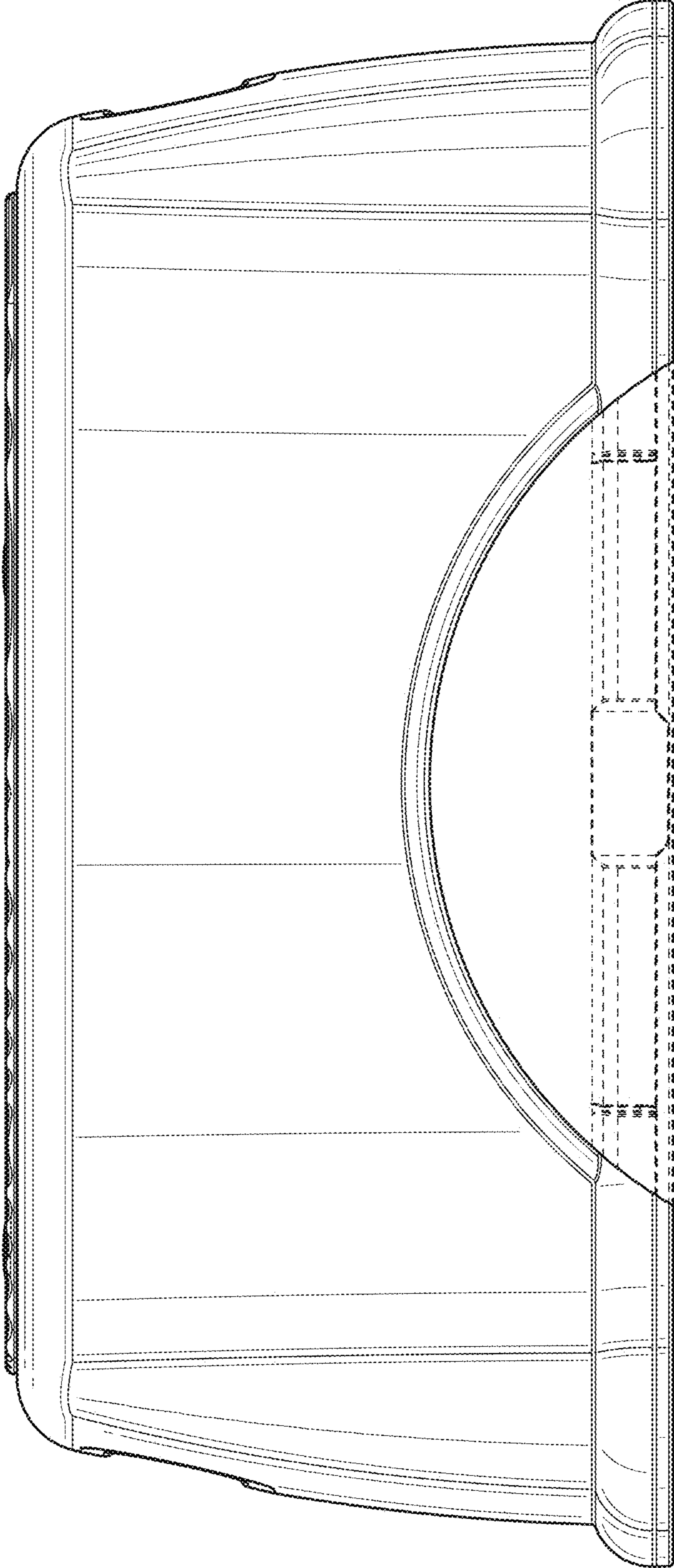


FIG. 3

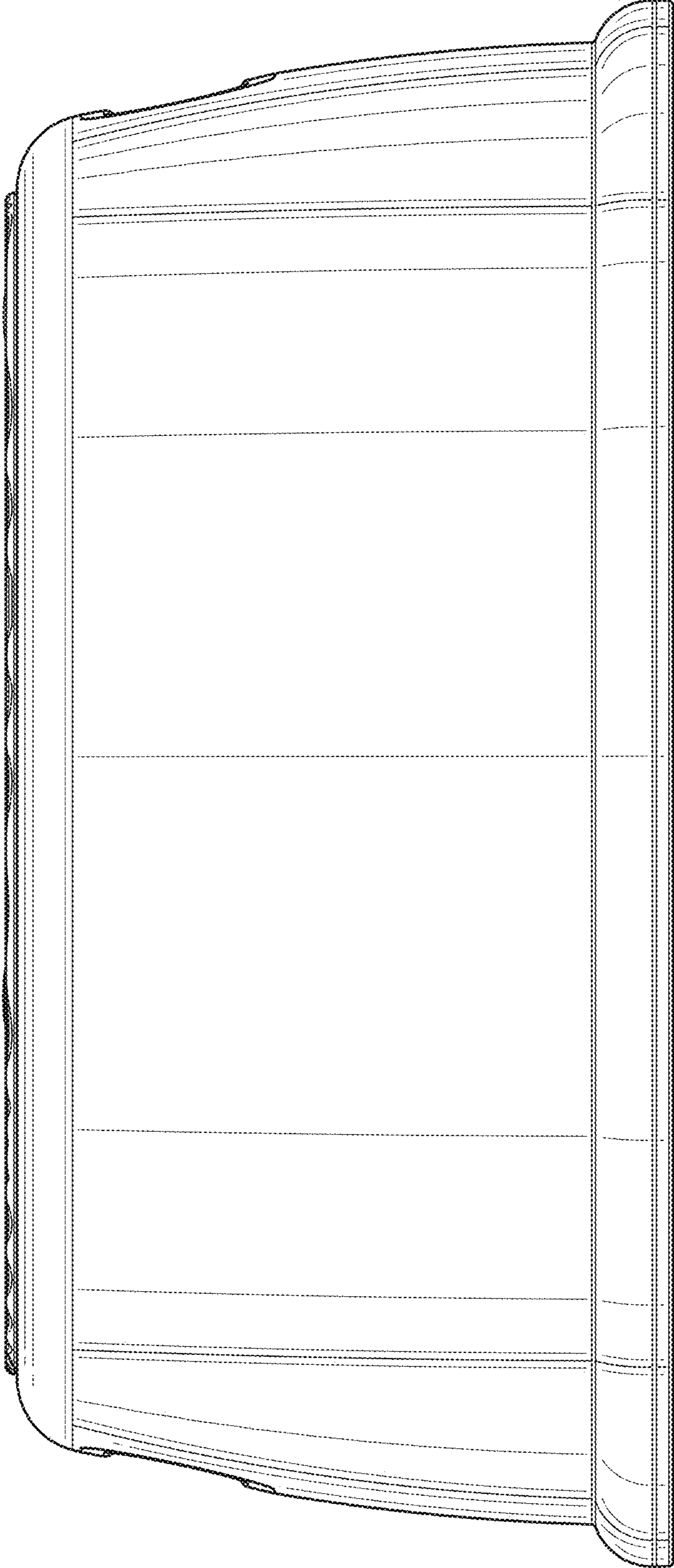


FIG. 4

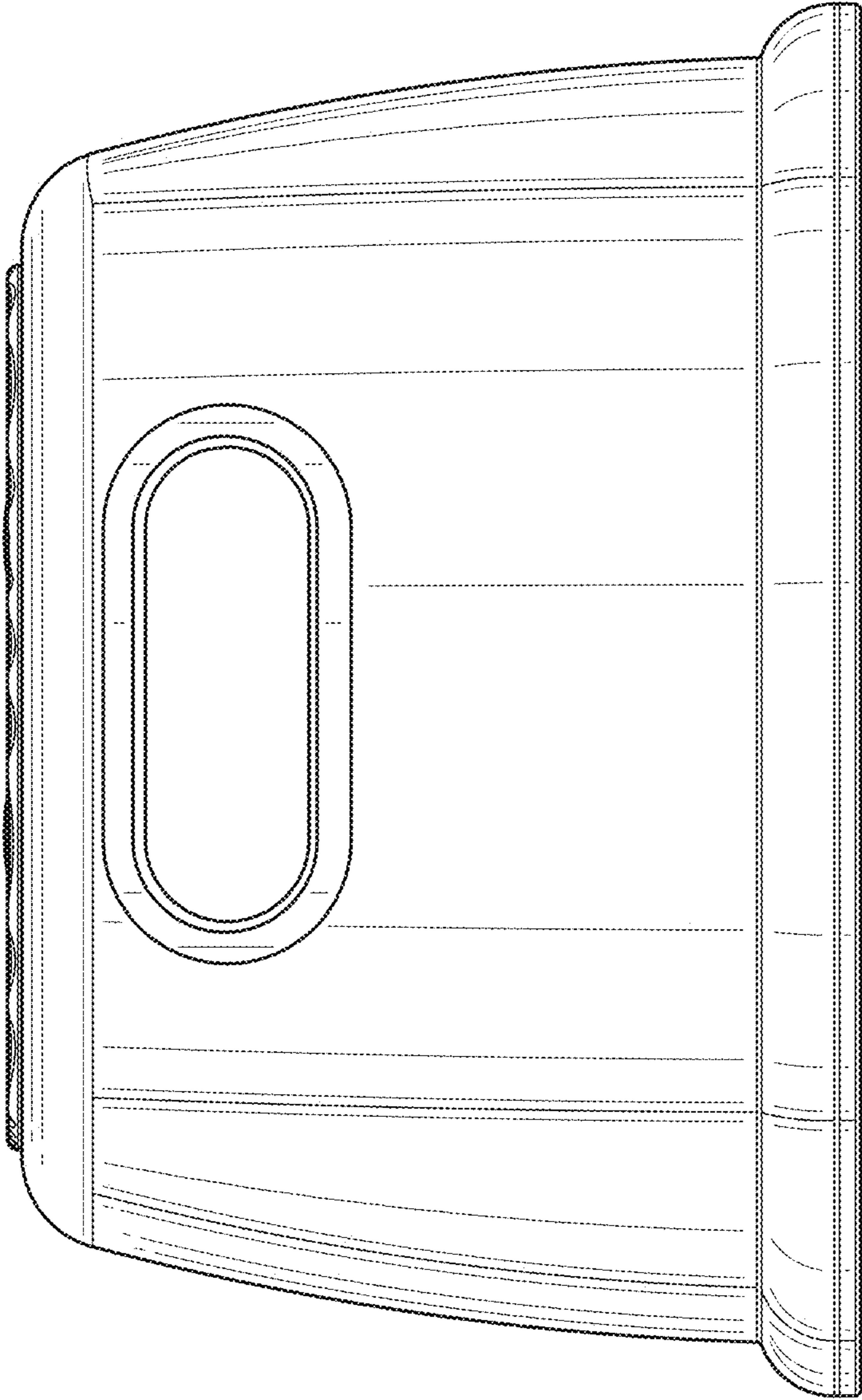


FIG. 5

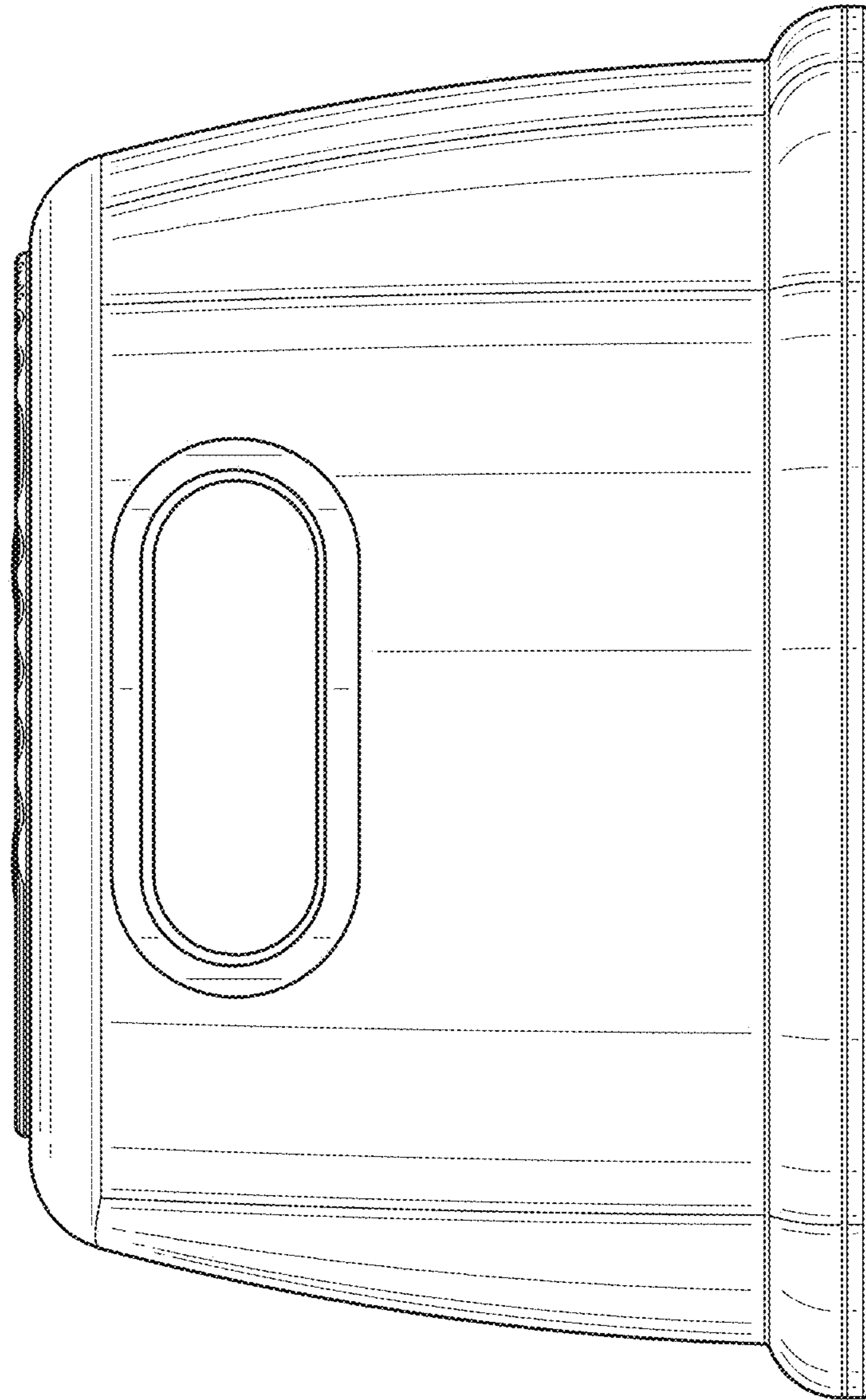


FIG. 6

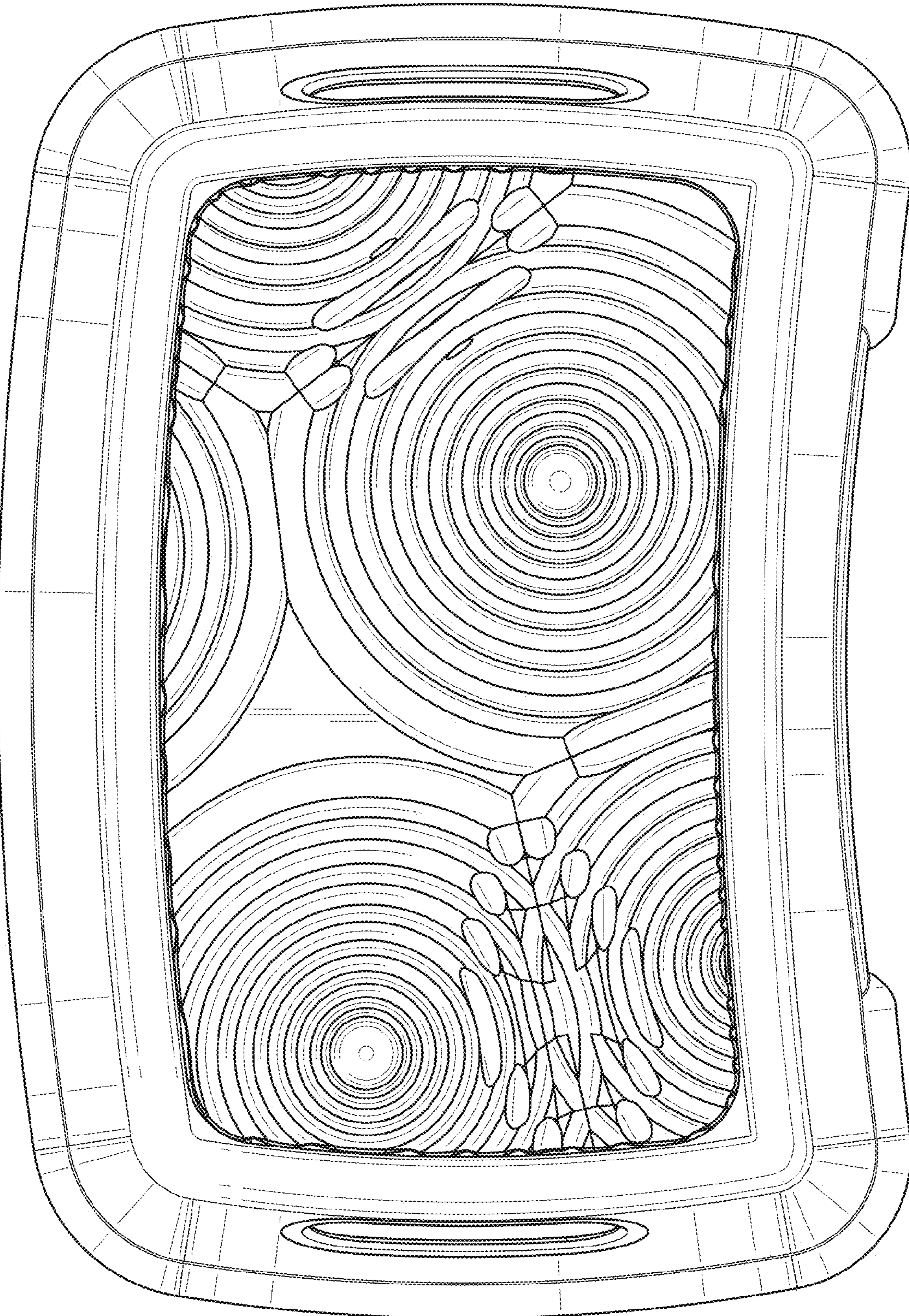


FIG. 7

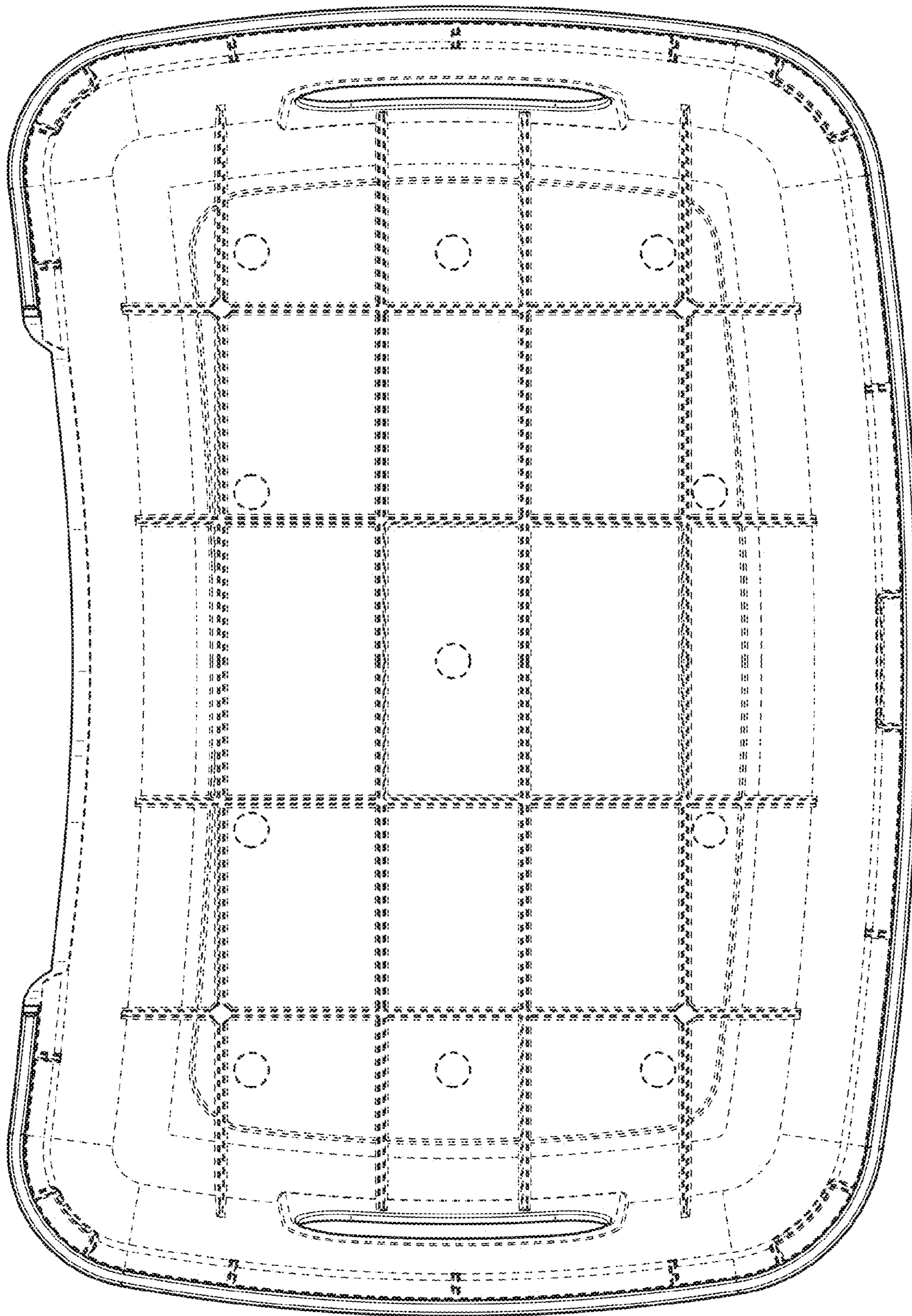


FIG. 8