



US00D925932S

(12) **United States Design Patent** (10) **Patent No.:** **US D925,932 S**
Park (45) **Date of Patent:** **** Jul. 27, 2021**

- (54) **PHOTO DISPLAY**
- (71) Applicant: **Umbra LLC**, Buffalo, NY (US)
- (72) Inventor: **Sung Wook Park**, Toronto (CA)
- (73) Assignee: **Umbra LLC**, Buffalo, NY (US)
- (**) Term: **15 Years**
- (21) Appl. No.: **29/710,611**
- (22) Filed: **Oct. 24, 2019**

- D342,549 S * 12/1993 Hofman D20/41
 - D346,286 S * 4/1994 Caponigro D17/99
 - D354,087 S * 1/1995 Dunlap D12/193
 - 5,453,915 A * 9/1995 Bradley, III A45D 42/10
248/474
 - D371,243 S * 7/1996 Diaz D6/300
 - 5,566,030 A * 10/1996 Yue A45D 42/00
248/467
 - D487,271 S * 3/2004 Korpai D14/448
- (Continued)

Primary Examiner — W. A. Teddy Falloway
(74) *Attorney, Agent, or Firm* — Simpson & Simpson, PLLC; Robert Simpson

Related U.S. Application Data

- (63) Continuation-in-part of application No. 29/697,072, filed on Jul. 3, 2019, now abandoned.
- (51) **LOC (13) Cl.** **06-07**
- (52) **U.S. Cl.**
USPC **D6/310**
- (58) **Field of Classification Search**
USPC D6/300–314; D26/56; D20/10, 21, 41
CPC A45D 42/10; A45D 33/008; A45D 42/00;
F21V 33/004; F21V 33/00; B41J 2/01
See application file for complete search history.

References Cited

U.S. PATENT DOCUMENTS

- 1,837,348 A * 12/1931 Ware A47G 1/142
40/763
- D229,451 S * 11/1973 Cregar D20/2
- D243,378 S * 2/1977 Tharp D6/300
- 4,329,800 A * 5/1982 Shuman F16B 7/105
40/606.14
- D291,682 S * 9/1987 Stone D12/187
- 4,726,132 A * 2/1988 Ernest G09F 15/0012
40/607.1
- 4,777,750 A * 10/1988 Garfinkle G09F 1/12
40/607.04
- D329,631 S * 9/1992 Cameron D12/187
- D329,949 S * 10/1992 White D6/300

(57) **CLAIM**

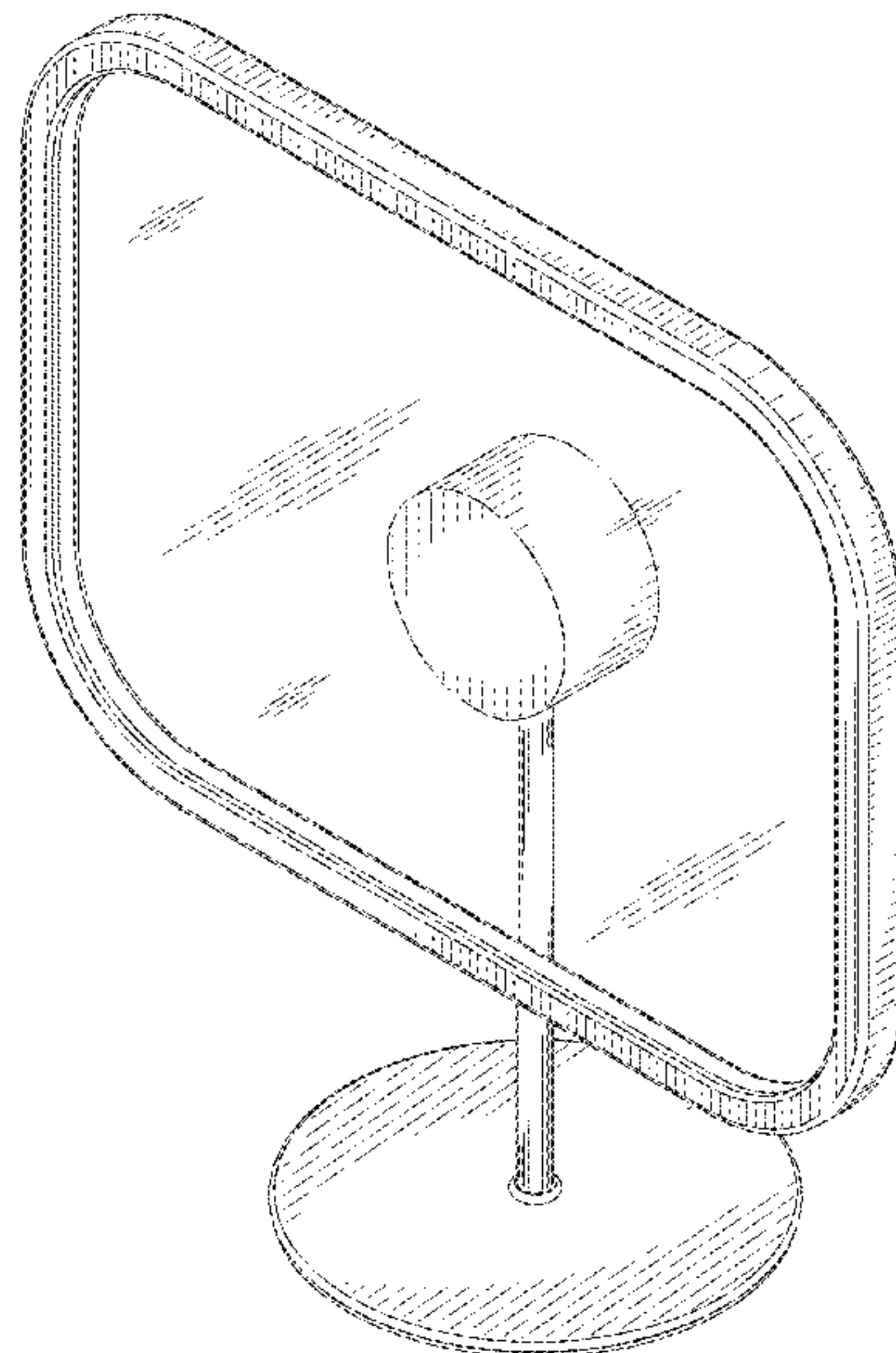
The ornamental design for a photo display, as shown and described.

DESCRIPTION

FIG. 1 is a front perspective view of the photo display of the present invention;
 FIG. 2 is a front elevational view of the photo display shown in FIG. 1;
 FIG. 3 is a right side elevational view of the photo display shown in FIG. 1;
 FIG. 4 is a back elevational view of the photo display shown in FIG. 1;
 FIG. 5 is a left side elevational view of the photo display shown in FIG. 1;
 FIG. 6 is a top plan view of the photo display shown in FIG. 1;
 FIG. 7 is a bottom plan view of the photo display shown in FIG. 1; and,
 FIG. 8 is a front perspective view of the photo display shown in FIG. 1.

The broken lines showing a photo representation illustrate environmental structure. The broken lines shown in FIG. 7 illustrate portions of the photo display. The broken lines form no part of the claimed design.

1 Claim, 7 Drawing Sheets



(56)

References Cited

U.S. PATENT DOCUMENTS

D487,272 S * 3/2004 Korpai D14/448
D487,273 S * 3/2004 Korpai D14/448
D487,465 S * 3/2004 Korpai D14/448
D488,160 S * 4/2004 Korpai D14/448
D488,161 S * 4/2004 Korpai D14/448
D488,162 S * 4/2004 Korpai D14/448
D492,079 S * 6/2004 Feltman D99/5
D501,891 S * 2/2005 Kaplan D20/41
D517,920 S * 3/2006 Abadinsky D9/522
D517,921 S * 3/2006 Abadinsky D9/522
D543,788 S * 6/2007 Hong D7/603
D545,776 S * 7/2007 Kwon D14/126
D598,053 S * 8/2009 Sanchez D14/159
D653,041 S * 1/2012 Henry D6/300
D704,938 S * 5/2014 Mischel, Jr. D6/300
D804,583 S * 12/2017 Exley D21/483
D826,887 S * 8/2018 Kymm D14/126
D854,343 S * 7/2019 Altemimei D6/300
10,337,709 B1 * 7/2019 Lo A45D 42/16
2002/0174582 A1 * 11/2002 Garfinkle G09F 15/0087
40/607.1
2007/0220794 A1 * 9/2007 Pitcher G09F 15/0018
40/611.08
2008/0178506 A1 * 7/2008 Garfinkle G09F 3/20
40/658
2011/0025922 A1 * 2/2011 Toya H04N 5/64
348/731
2018/0270410 A1 * 9/2018 Lyle H04N 5/2252

* cited by examiner

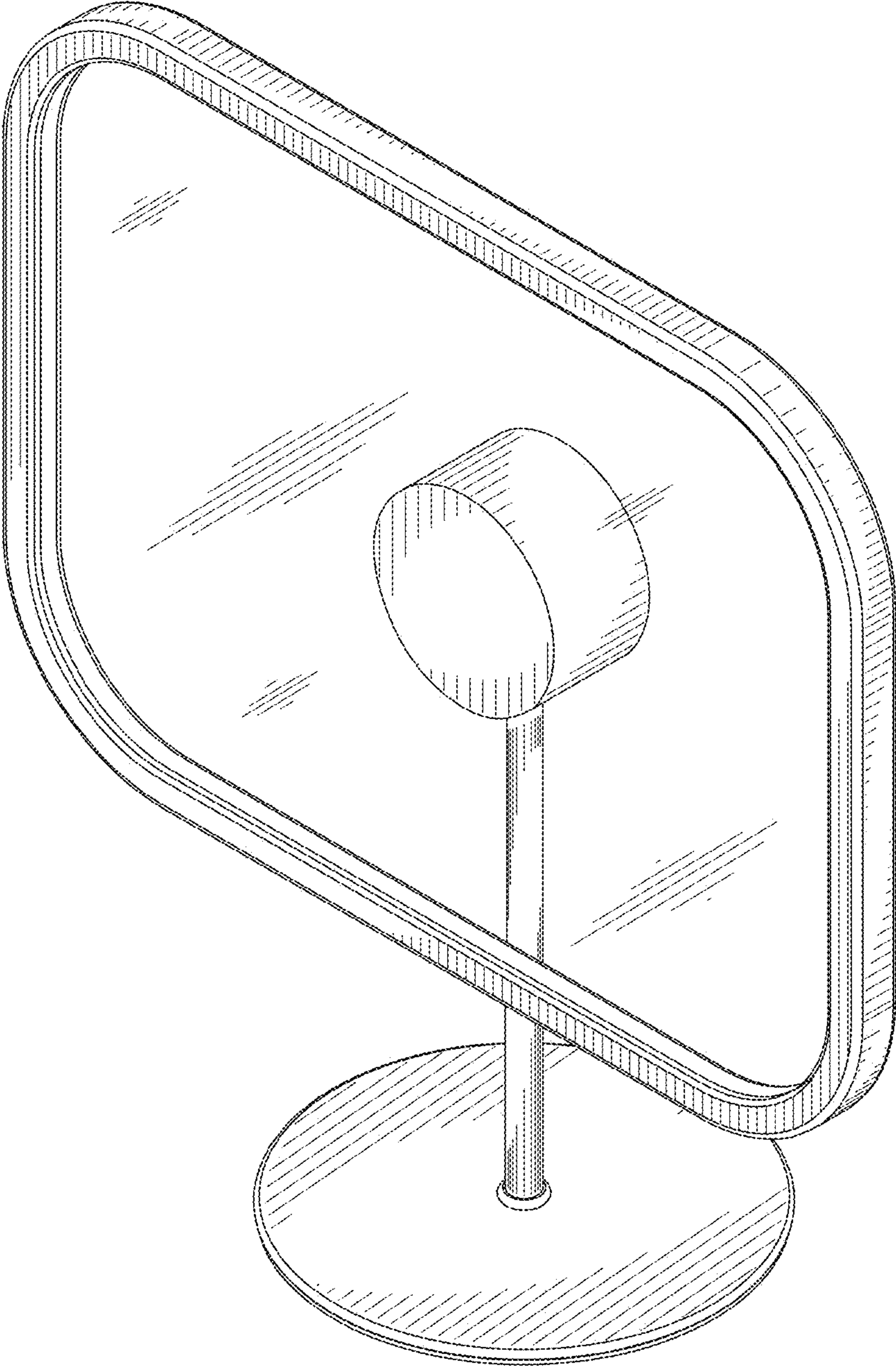


FIG. 1

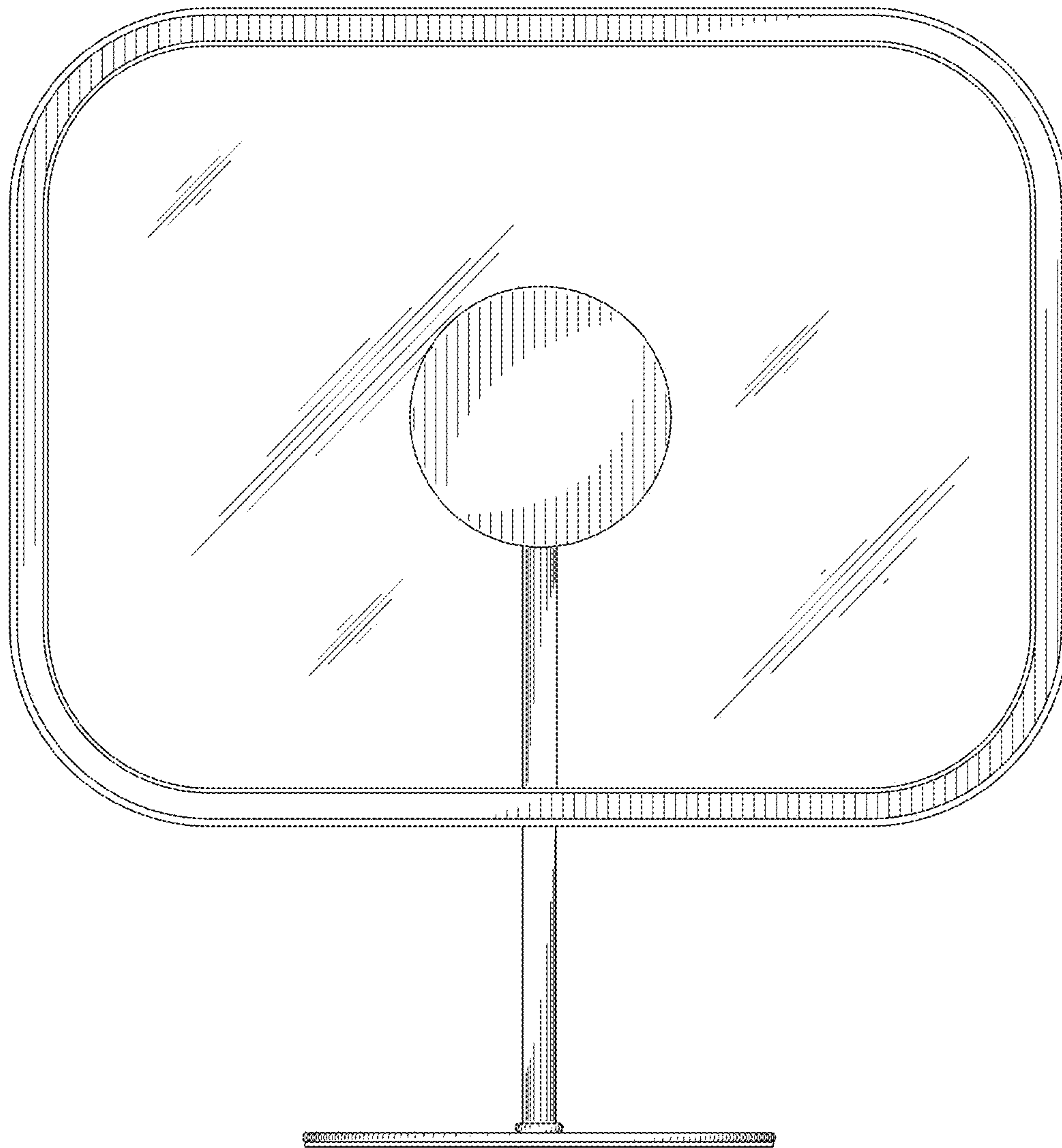


FIG. 2

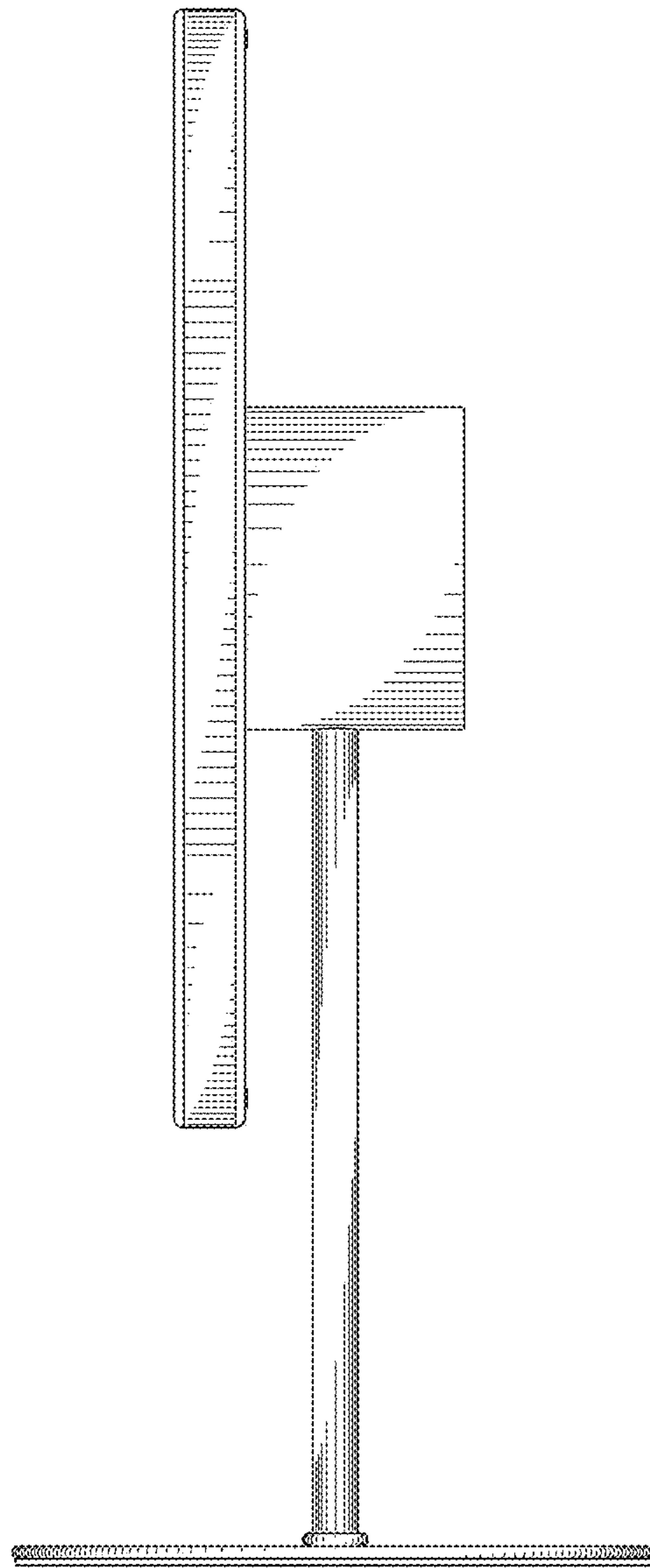


FIG. 3

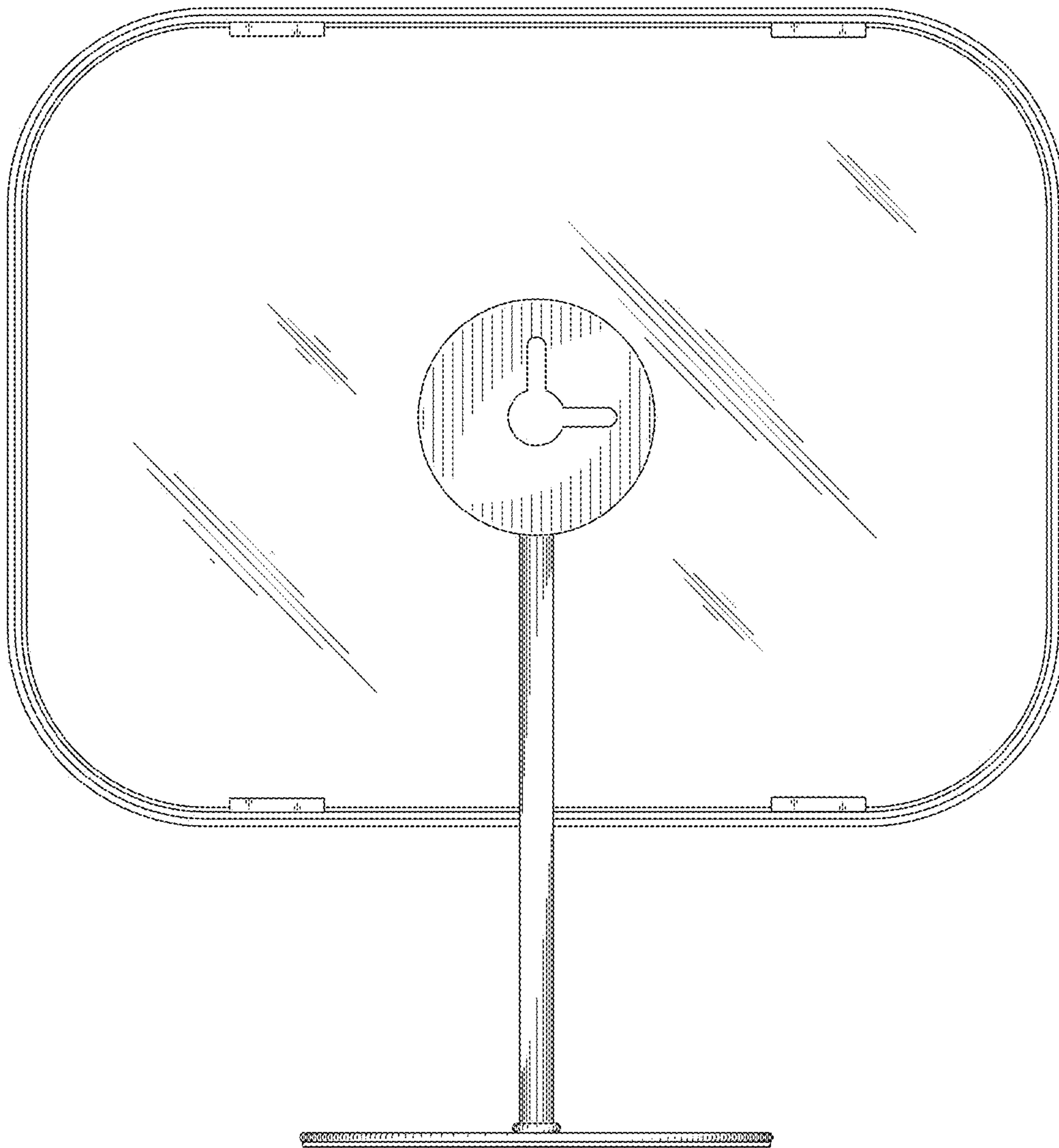


FIG. 4

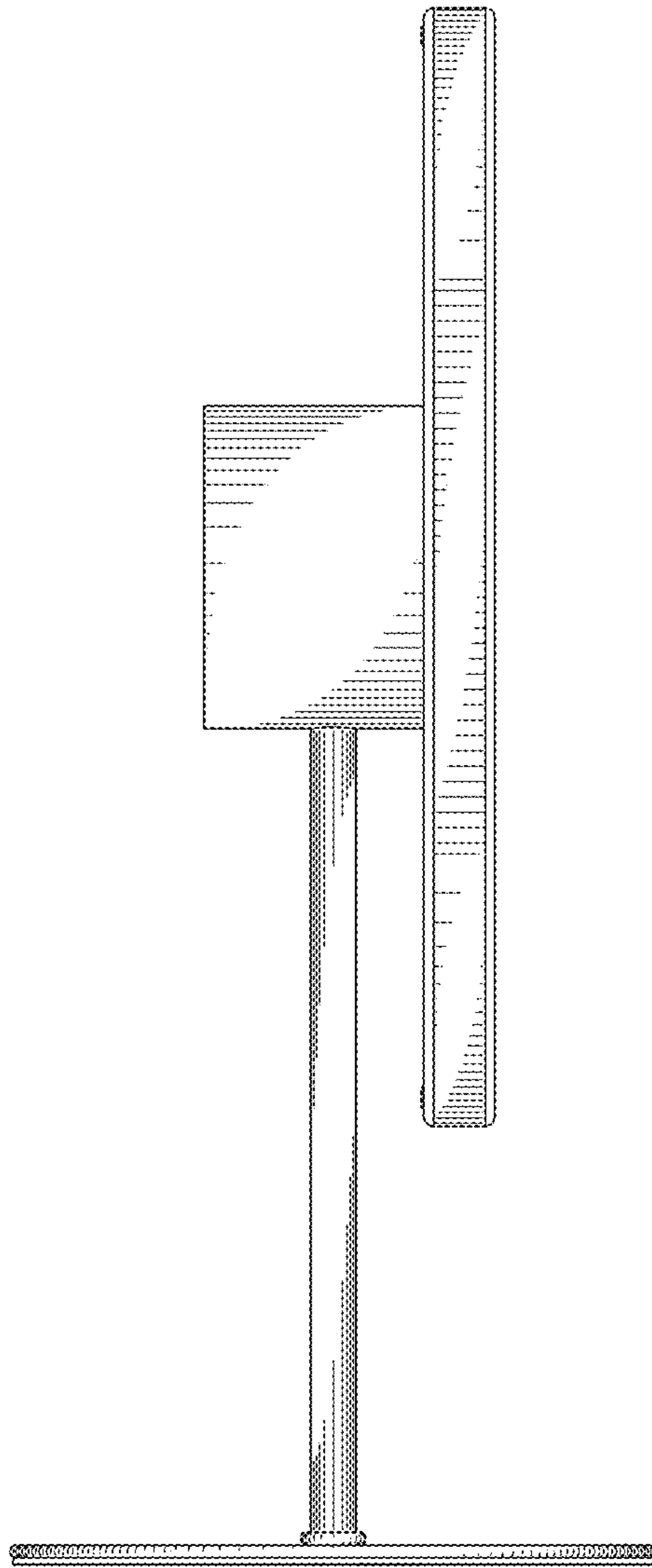


FIG. 5

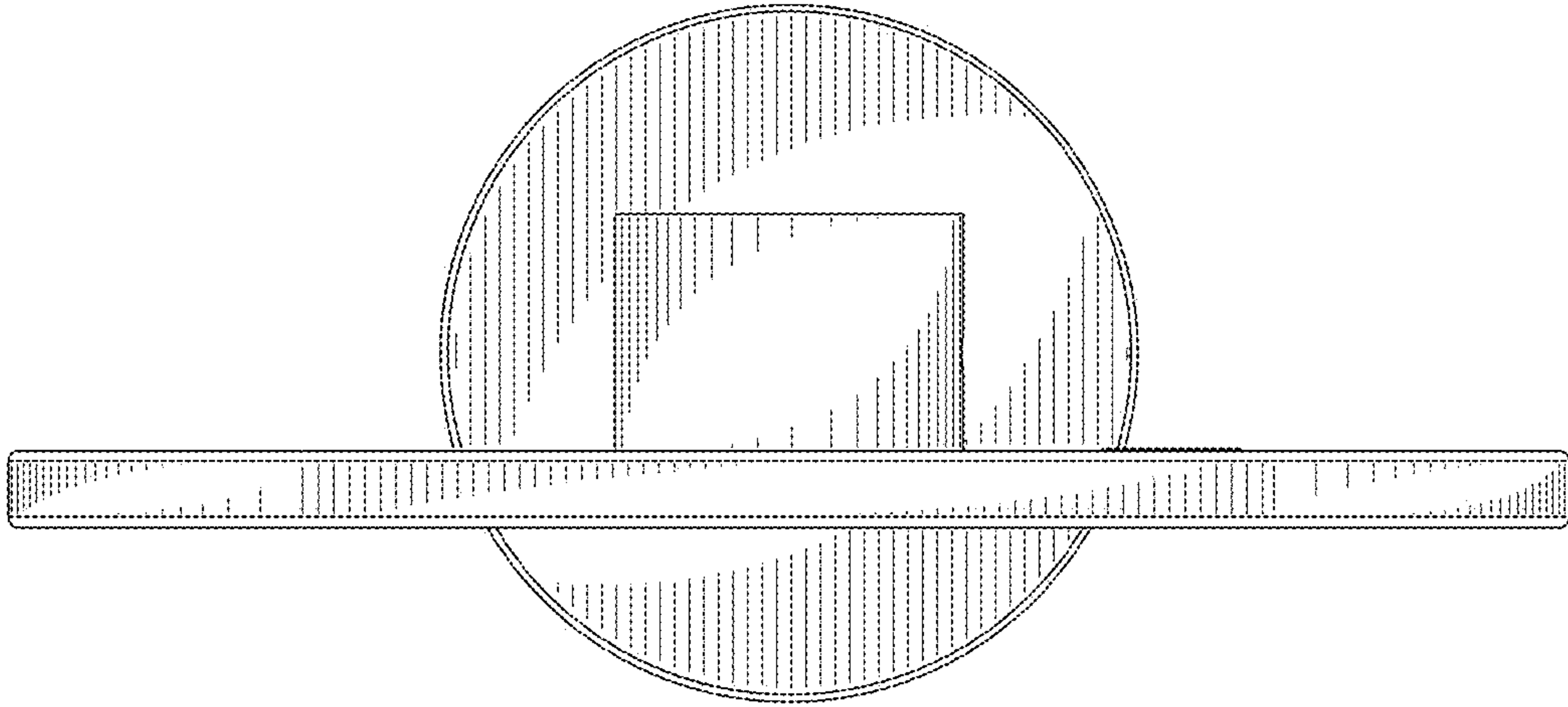


FIG. 6

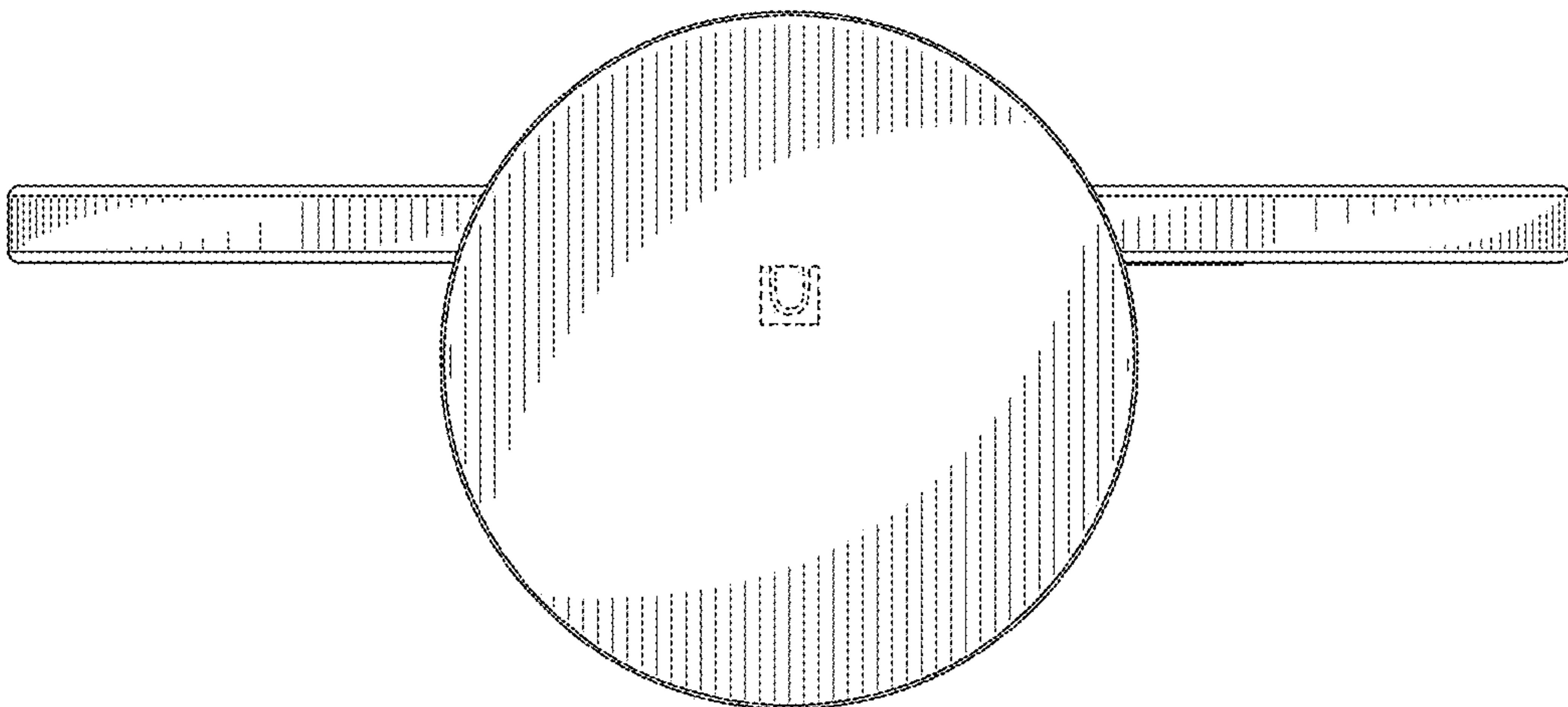


FIG. 7

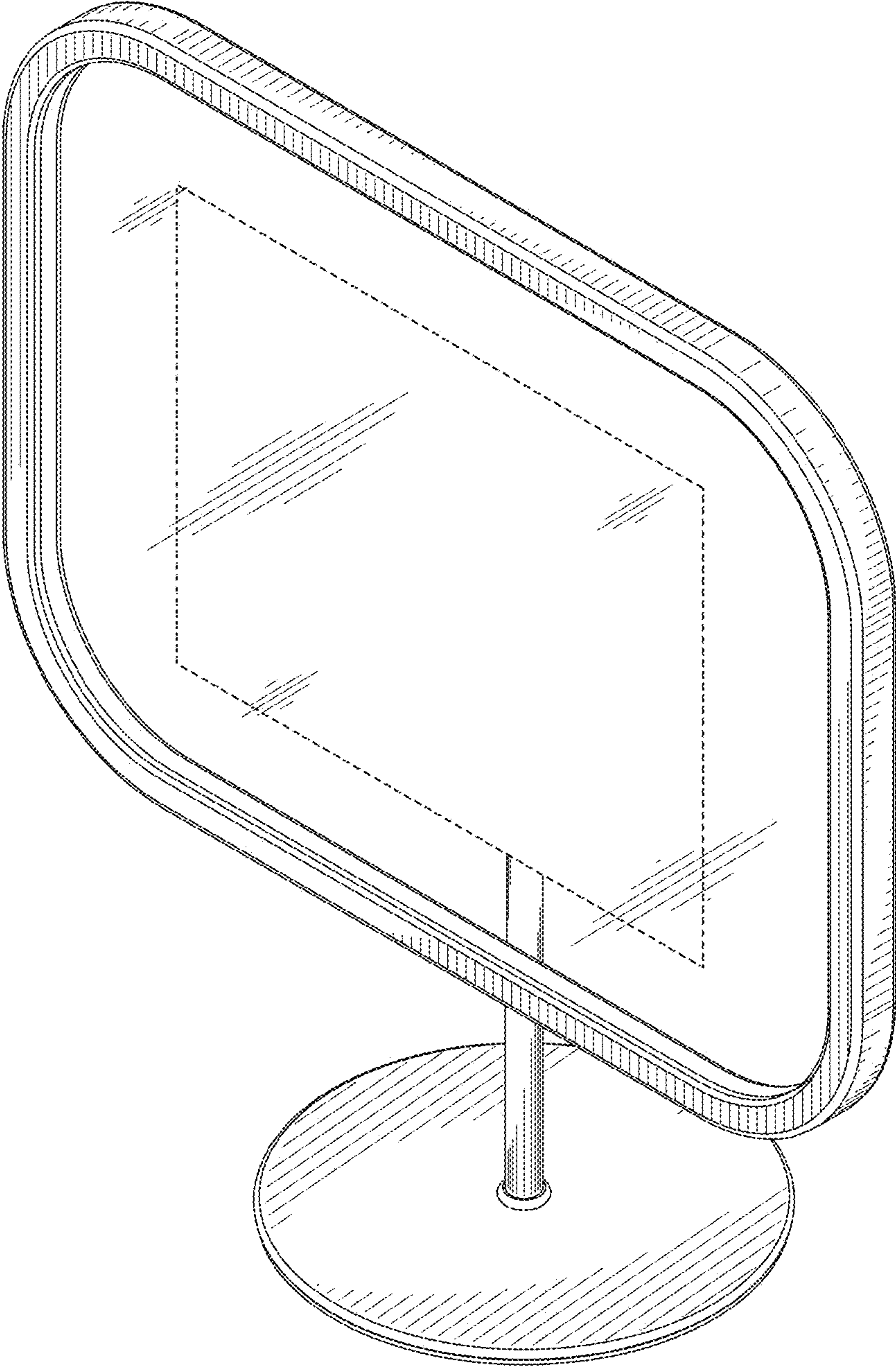


FIG. 8