



US00D925930S

(12) **United States Design Patent** (10) **Patent No.:** **US D925,930 S**
Park (45) **Date of Patent:** **** Jul. 27, 2021**

(54) **PHOTO DISPLAY**
(71) Applicant: **Umbra LLC**, Buffalo, NY (US)
(72) Inventor: **Sung Wook Park**, Toronto (CA)
(73) Assignee: **Umbra LLC**, Buffalo, NY (US)
(**) Term: **15 Years**
(21) Appl. No.: **29/710,605**
(22) Filed: **Oct. 24, 2019**

D509,369 S * 9/2005 Snell D6/310
D598,053 S * 8/2009 Sanchez D14/159
D649,790 S * 12/2011 Pitot D6/309

(Continued)

Primary Examiner — W. A. Teddy Falloway
(74) *Attorney, Agent, or Firm* — Simpson & Simpson, PLLC; Robert P. Simpson

(57) **CLAIM**

The ornamental design for a photo display, as shown and described.

DESCRIPTION

Related U.S. Application Data
(63) Continuation-in-part of application No. 29/697,075, filed on Jul. 3, 2019, now abandoned.
(51) **LOC (13) Cl.** **06-07**
(52) **U.S. Cl.**
USPC **D6/310**; D6/309
(58) **Field of Classification Search**
USPC D6/300–314; D26/56; D20/10, 21, 41
CPC A45D 42/10; A45D 33/008; A45D 42/00;
F21V 33/004; F21V 33/00; B41J 2/01
See application file for complete search history.

FIG. 1 is a front perspective view of the photo display of the present invention;
FIG. 2 is a front elevational view of the photo display shown in FIG. 1;
FIG. 3 is a right side elevational view of the photo display shown in FIG. 1;
FIG. 4 is a back elevational view of the photo display shown in FIG. 1;
FIG. 5 is a left side elevational view of the photo display shown in FIG. 1;
FIG. 6 is a top plan view of the photo display shown in FIG. 1;
FIG. 7 is a bottom plan view of the photo display shown in FIG. 1; and,
FIG. 8 is a front perspective view of the photo display shown in FIG. 1.

The broken lines showing a photo representation illustrate environmental structure. The broken lines shown in FIG. 7 illustrate portions of the photo display. The broken lines form no part of the claimed design.

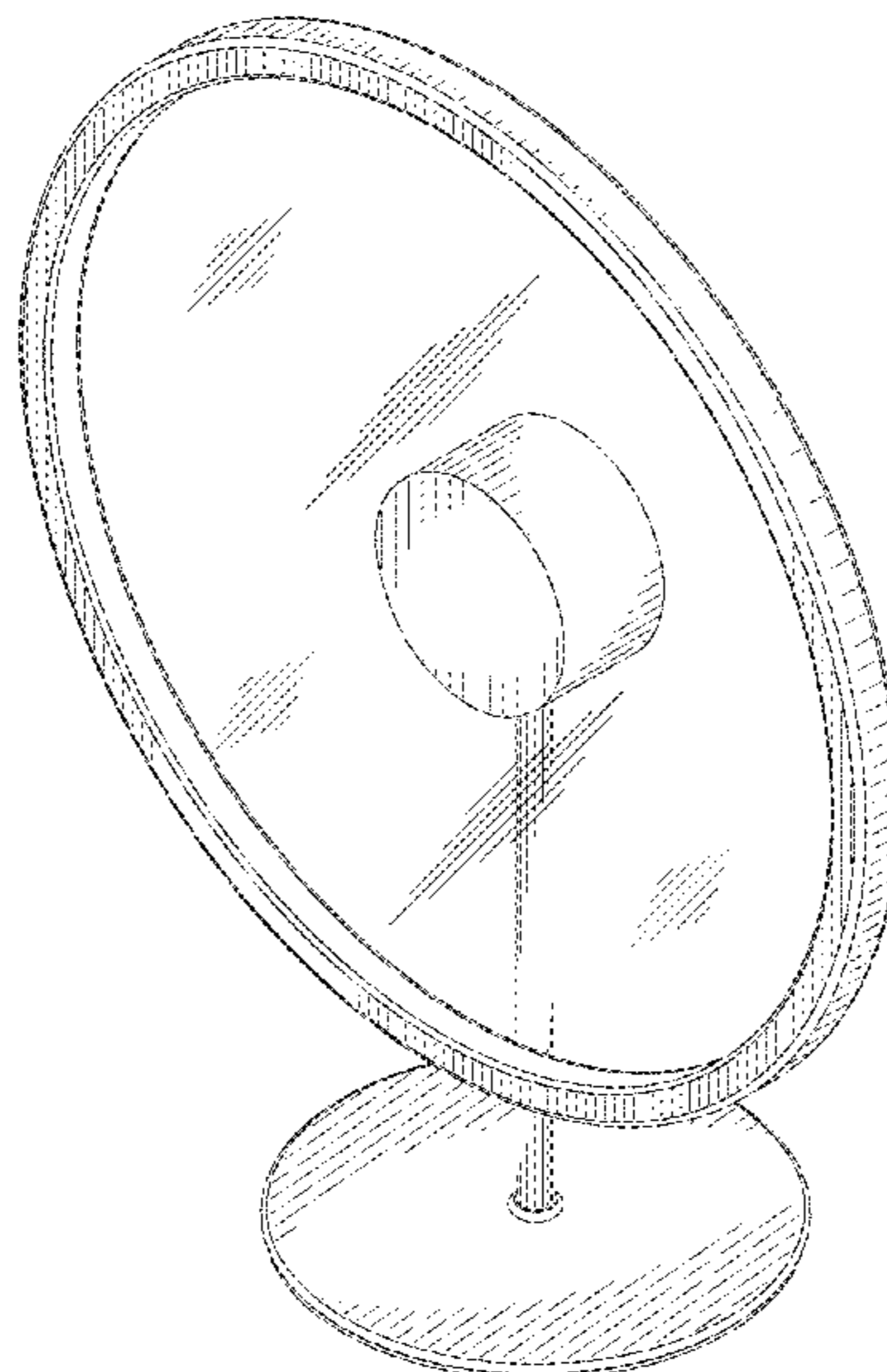
Stippling and/or contour lines are included in the various views, for example, FIGS. 1-8, to depict surface curvature, flatness, or other shapes. Shading lines are included in various views, for example, FIGS. 1, 2, 4, and 8, to depict that the panes in the photo display are transparent.

(56) **References Cited**

U.S. PATENT DOCUMENTS

D60,887 S * 4/1922 Tuttle D19/96
6,302,550 B1 * 10/2001 Krieg B60R 1/006
359/838
6,305,809 B1 * 10/2001 Zadro A45D 42/08
248/474
D459,094 S * 6/2002 Stone D6/309
D487,271 S * 3/2004 Korpai D14/448
D487,272 S * 3/2004 Korpai D14/448
D487,273 S * 3/2004 Korpai D14/448
D487,465 S * 3/2004 Korpai D14/448
D488,160 S * 4/2004 Korpai D14/448
D488,161 S * 4/2004 Korpai D14/448
D488,162 S * 4/2004 Korpai D14/448
D508,883 S * 8/2005 Falconer D12/189

1 Claim, 7 Drawing Sheets



(56)

References Cited

U.S. PATENT DOCUMENTS

D689,701 S * 9/2013 Mischel, Jr. D6/309
D701,050 S * 3/2014 Yang D6/309
D736,001 S * 8/2015 Yang D6/309
D846,288 S * 4/2019 Yang D6/309
D850,125 S * 6/2019 Wang D6/309
10,337,709 B1 * 7/2019 Lo A45D 42/16
D869,863 S * 12/2019 Liu D6/310
D874,162 S * 2/2020 Greenwait D6/310
D879,481 S * 3/2020 Yang D6/309
D882,280 S * 4/2020 Yang D6/309
D891,123 S * 7/2020 Li D6/310
D891,125 S * 7/2020 Liu D6/310
D892,508 S * 8/2020 Yang D6/309
D893,892 S * 8/2020 Rajasekaran D6/310
D894,614 S * 9/2020 Chen D6/309
D895,305 S * 9/2020 Yang D6/309
D897,695 S * 10/2020 Yang D6/309
D901,908 S * 11/2020 Zhao D6/309
D905,449 S * 12/2020 Yang D6/310
D905,976 S * 12/2020 Yang D6/310
2007/0220794 A1 * 9/2007 Pitcher G09F 15/0018
40/611.08
2017/0164719 A1 * 6/2017 Wheeler A45D 42/16
2017/0181528 A1 * 6/2017 Zimmerman A45D 42/14
2018/0263362 A1 * 9/2018 Yang A47G 1/04
2020/0064590 A1 * 2/2020 Boehm A45D 42/16

* cited by examiner

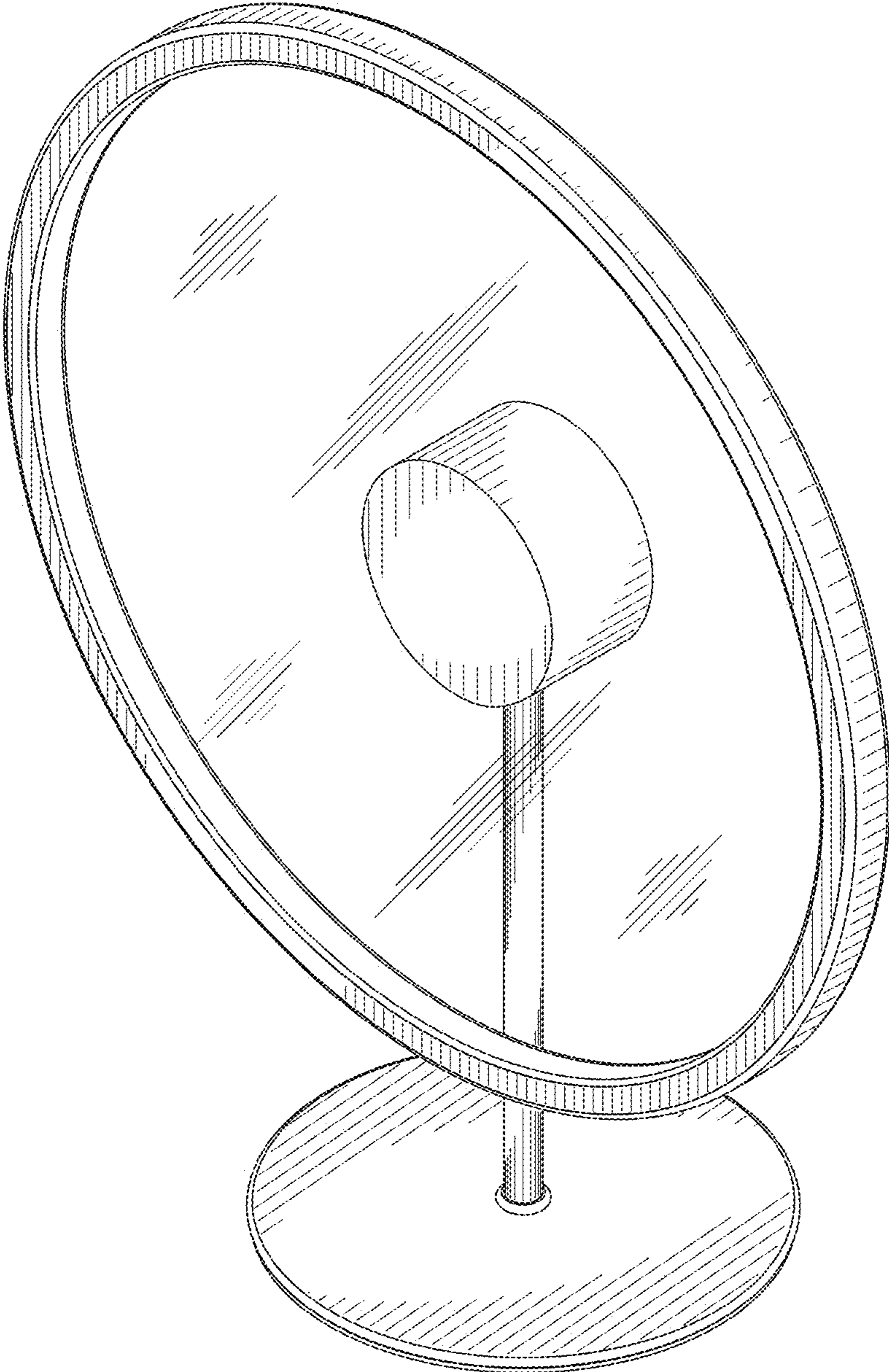


FIG. 1

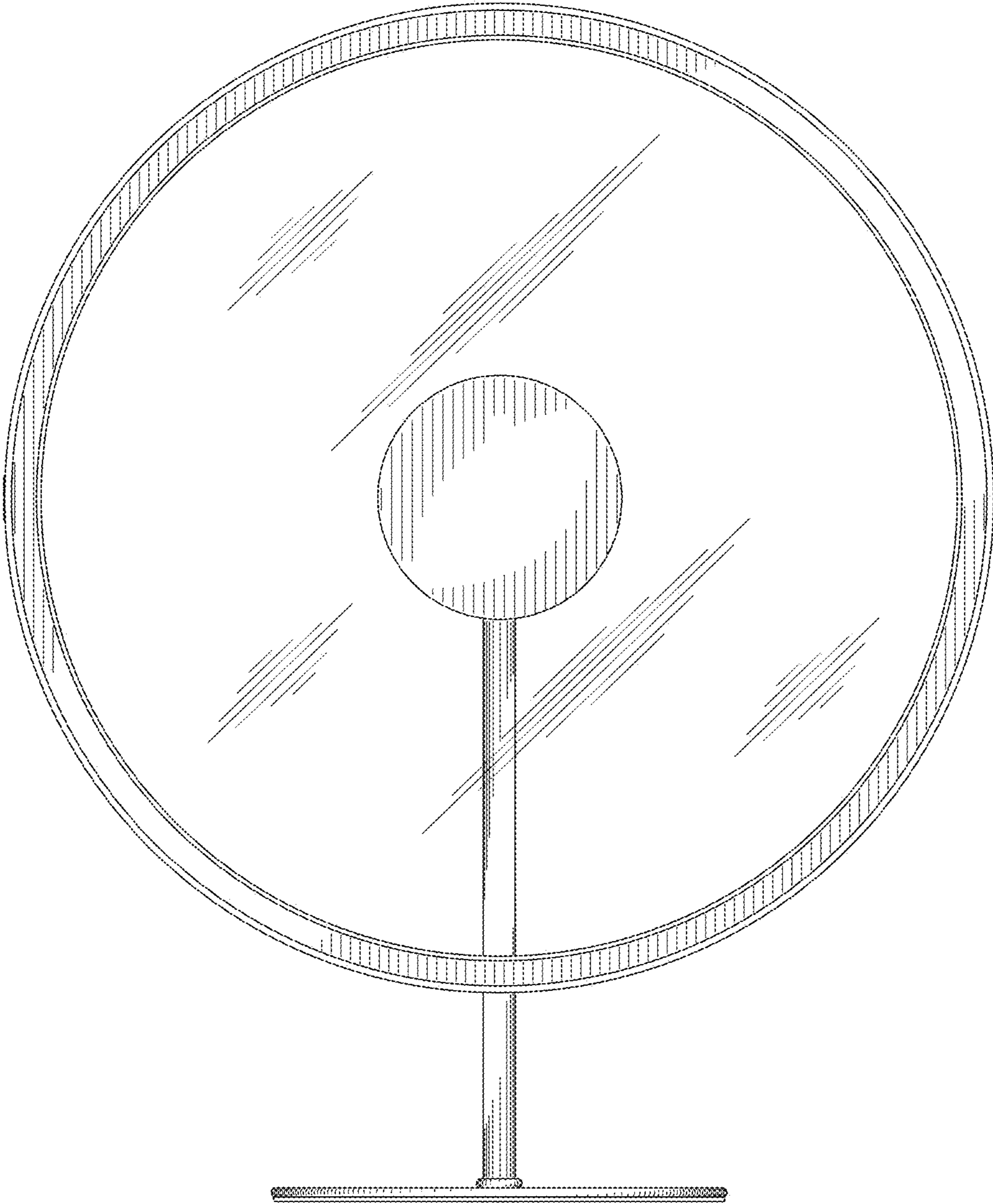


FIG. 2

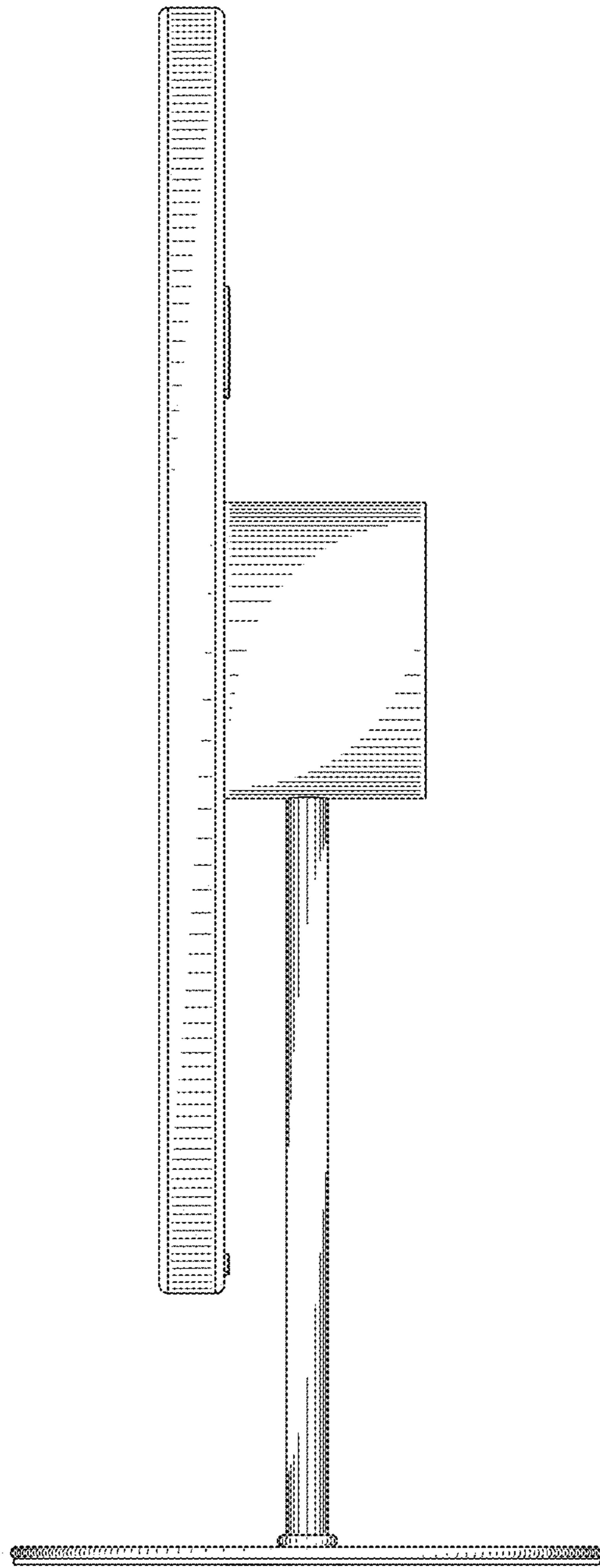


FIG. 3

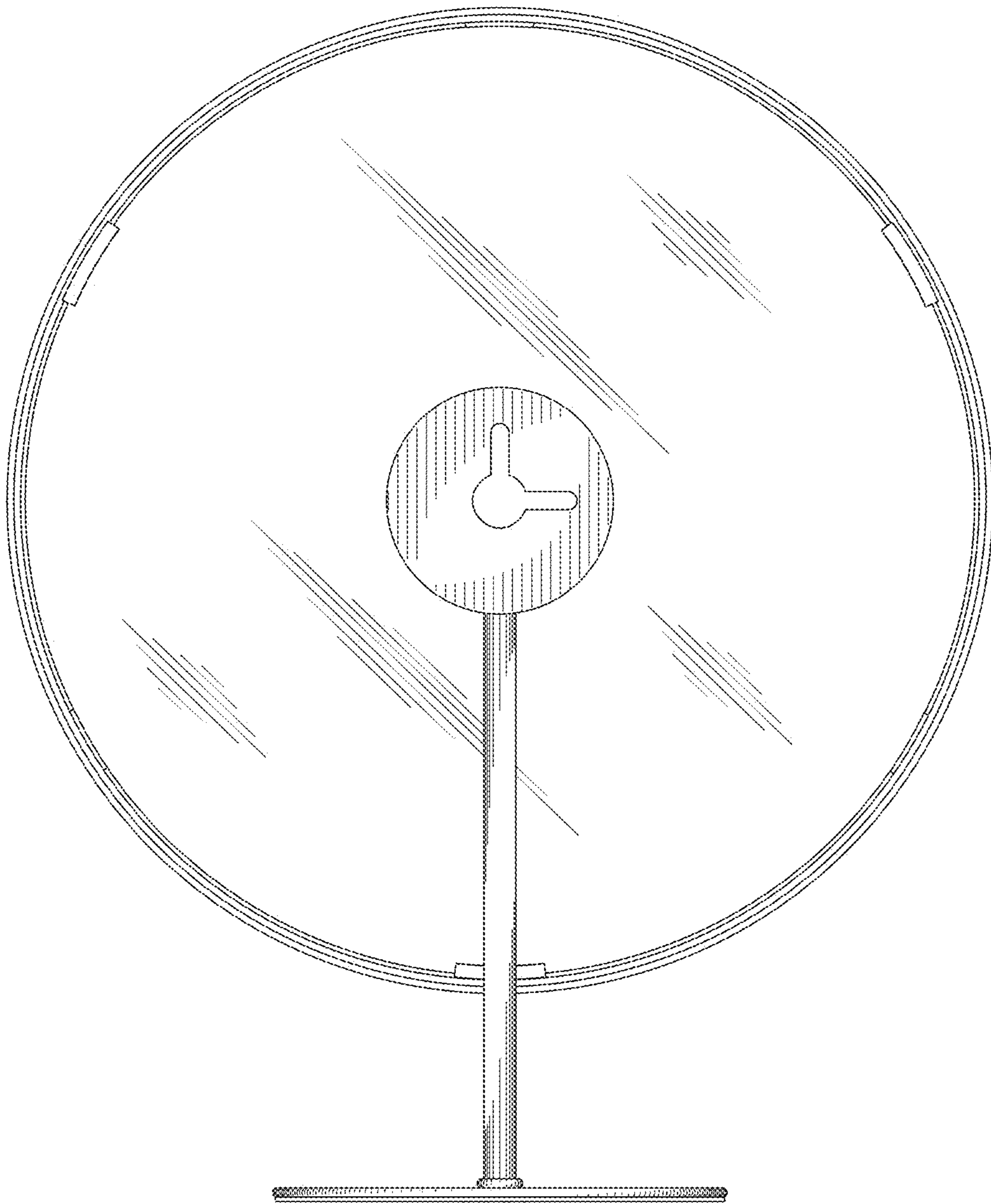


FIG. 4

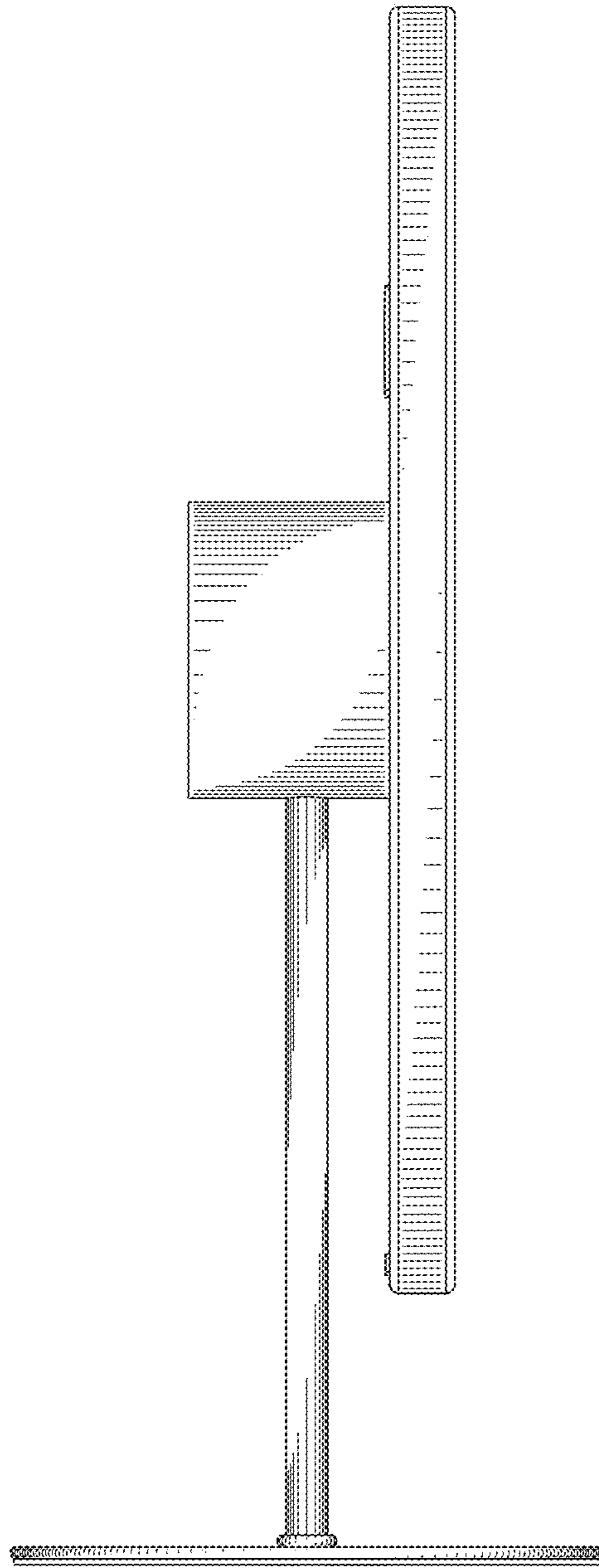


FIG. 5

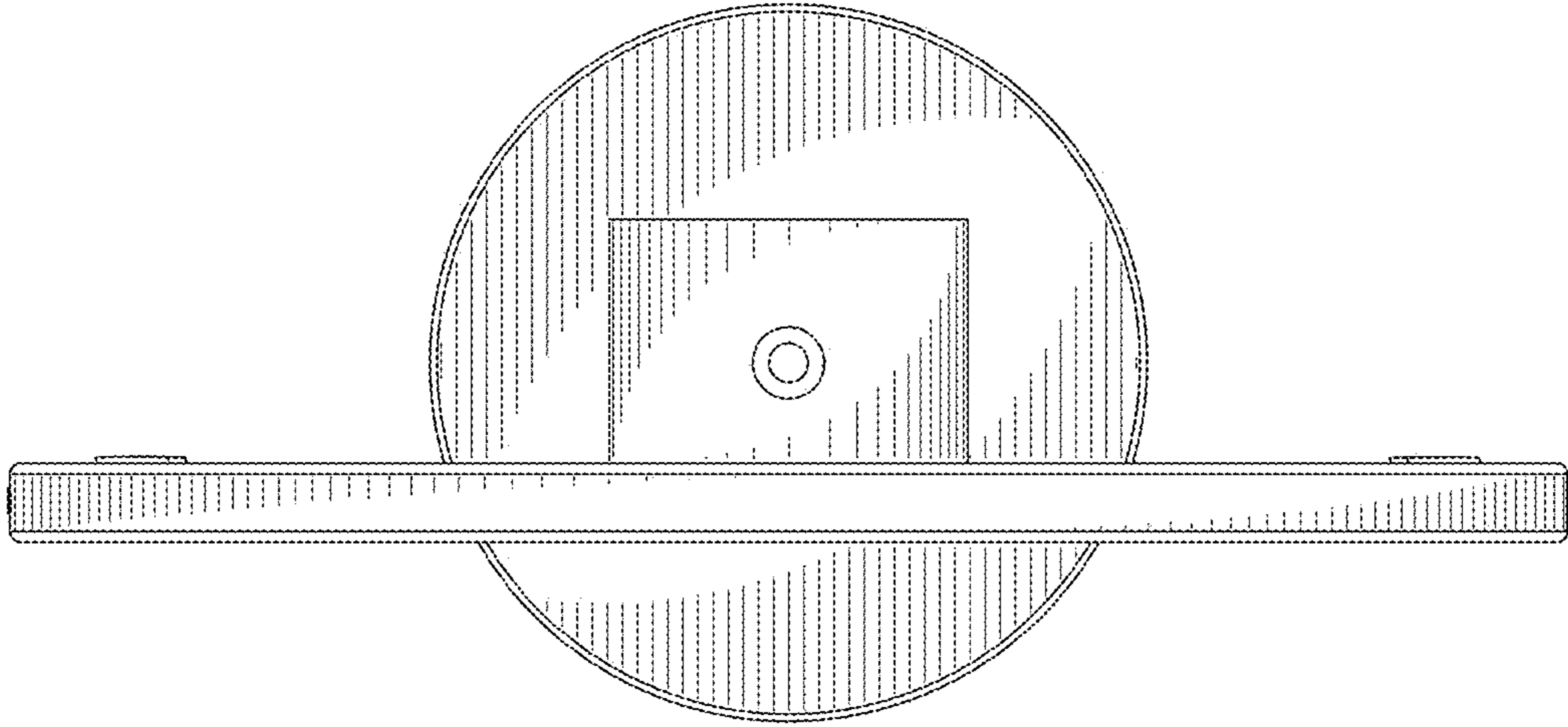


FIG. 6

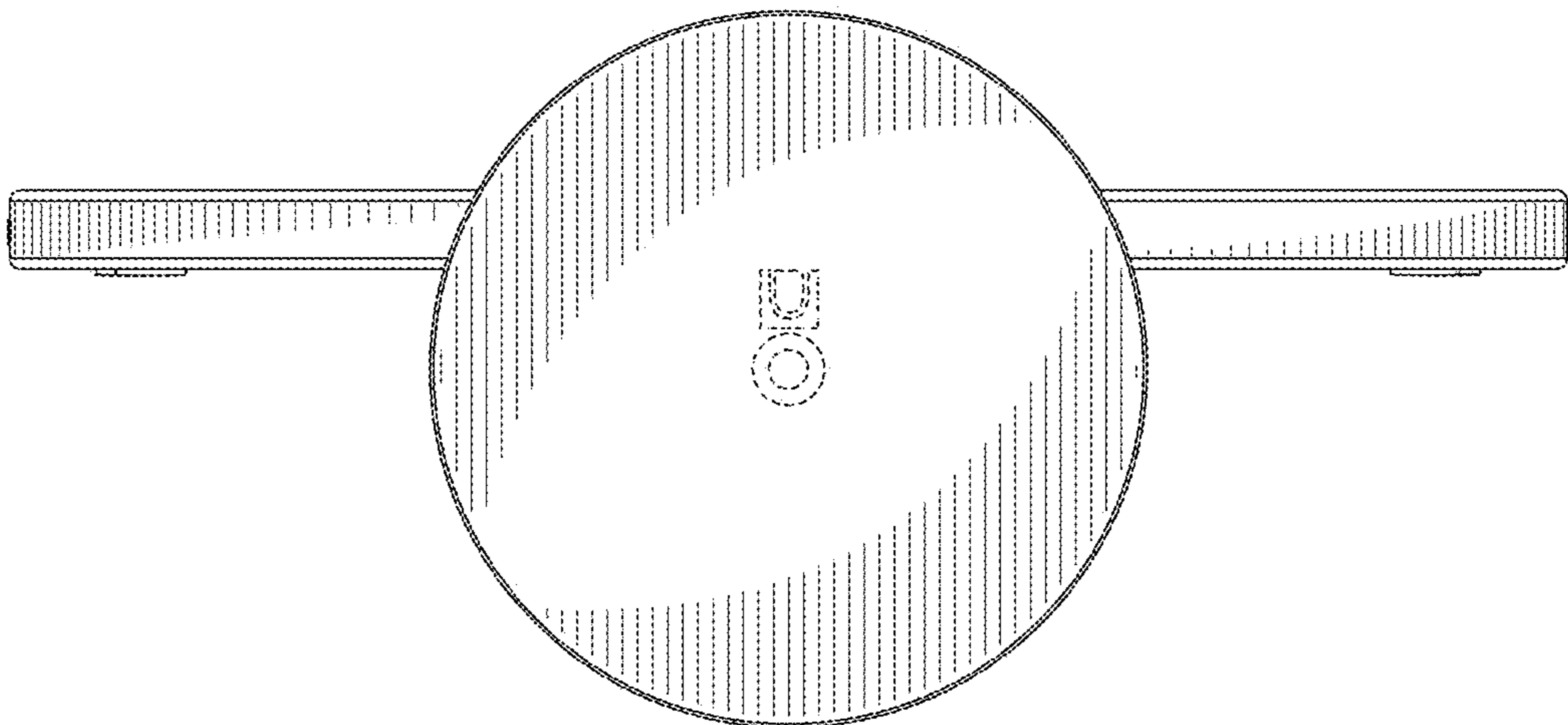


FIG. 7

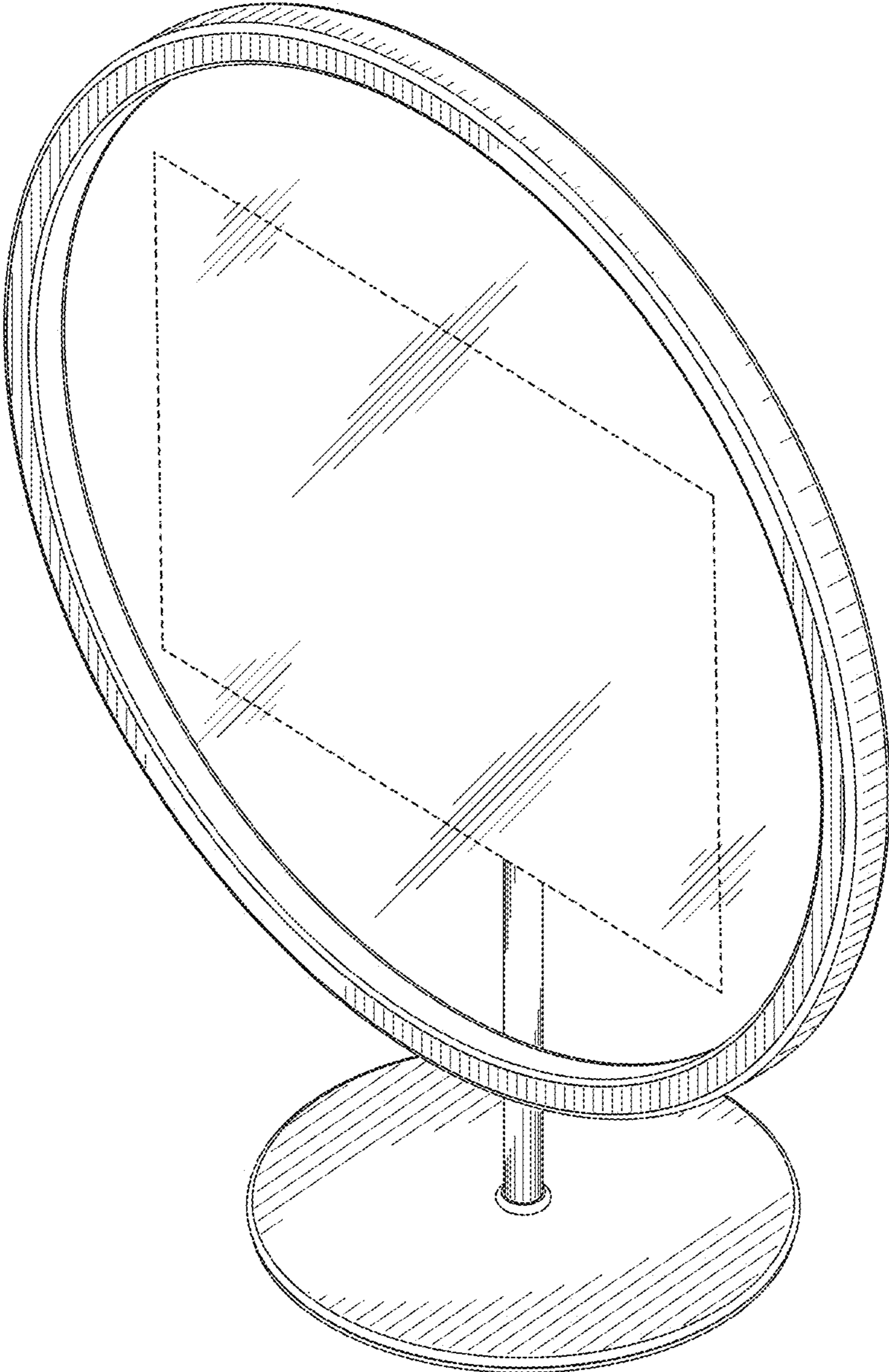


FIG. 8