



US00D925929S

(12) **United States Design Patent** (10) **Patent No.:** **US D925,929 S**
Park (45) **Date of Patent:** **** Jul. 27, 2021**

(54) **PHOTO DISPLAY**

(71) Applicant: **Umbra LLC**, Buffalo, NY (US)

(72) Inventor: **Sung Wook Park**, Toronto (CA)

(73) Assignee: **Umbra LLC**, Buffalo, NY (US)

(**) Term: **15 Years**

(21) Appl. No.: **29/710,601**

(22) Filed: **Oct. 24, 2019**

Related U.S. Application Data

(63) Continuation-in-part of application No. 29/697,080, filed on Jul. 3, 2019, now abandoned.

(51) **LOC (13) Cl.** **06-07**

(52) **U.S. Cl.**
USPC **D6/310**

(58) **Field of Classification Search**
USPC D6/300-314; D26/56; D20/10, 21, 41
CPC A45D 42/10; A45D 33/008; A45D 42/00;
F21V 33/004; F21V 33/00; B41J 2/01
See application file for complete search history.

(56) **References Cited**

U.S. PATENT DOCUMENTS

- D60,887 S * 4/1922 Tuttle D19/96
- 6,302,550 B1 * 10/2001 Krieg B60R 1/006
359/838
- 6,305,809 B1 * 10/2001 Zadro A45D 42/08
248/474
- D459,094 S * 6/2002 Stone D6/309
- D487,271 S * 3/2004 Korpai D14/448
- D487,272 S * 3/2004 Korpai D14/448
- D487,273 S * 3/2004 Korpai D14/448
- D487,465 S * 3/2004 Korpai D14/448
- D488,160 S * 4/2004 Korpai D14/448
- D488,161 S * 4/2004 Korpai D14/448
- D488,162 S * 4/2004 Korpai D14/448

- D508,883 S * 8/2005 Falconer D12/189
- D509,369 S * 9/2005 Snell D6/310
- D598,053 S * 8/2009 Sanchez D14/159
- D649,790 S * 12/2011 Pitot D6/309
- D689,701 S * 9/2013 Mischel, Jr. D6/309
- D701,050 S * 3/2014 Yang D6/309
- D736,001 S * 8/2015 Yang D6/309
- D846,288 S * 4/2019 Yang D6/309
- D850,125 S * 6/2019 Wang D6/309
- 10,337,709 B1 * 7/2019 Lo A45D 42/16
- D869,863 S * 12/2019 Liu D6/310

(Continued)

Primary Examiner — W. A. Teddy Falloway

(74) *Attorney, Agent, or Firm* — Simpson & Simpson, PLLC; Robert P. Simpson

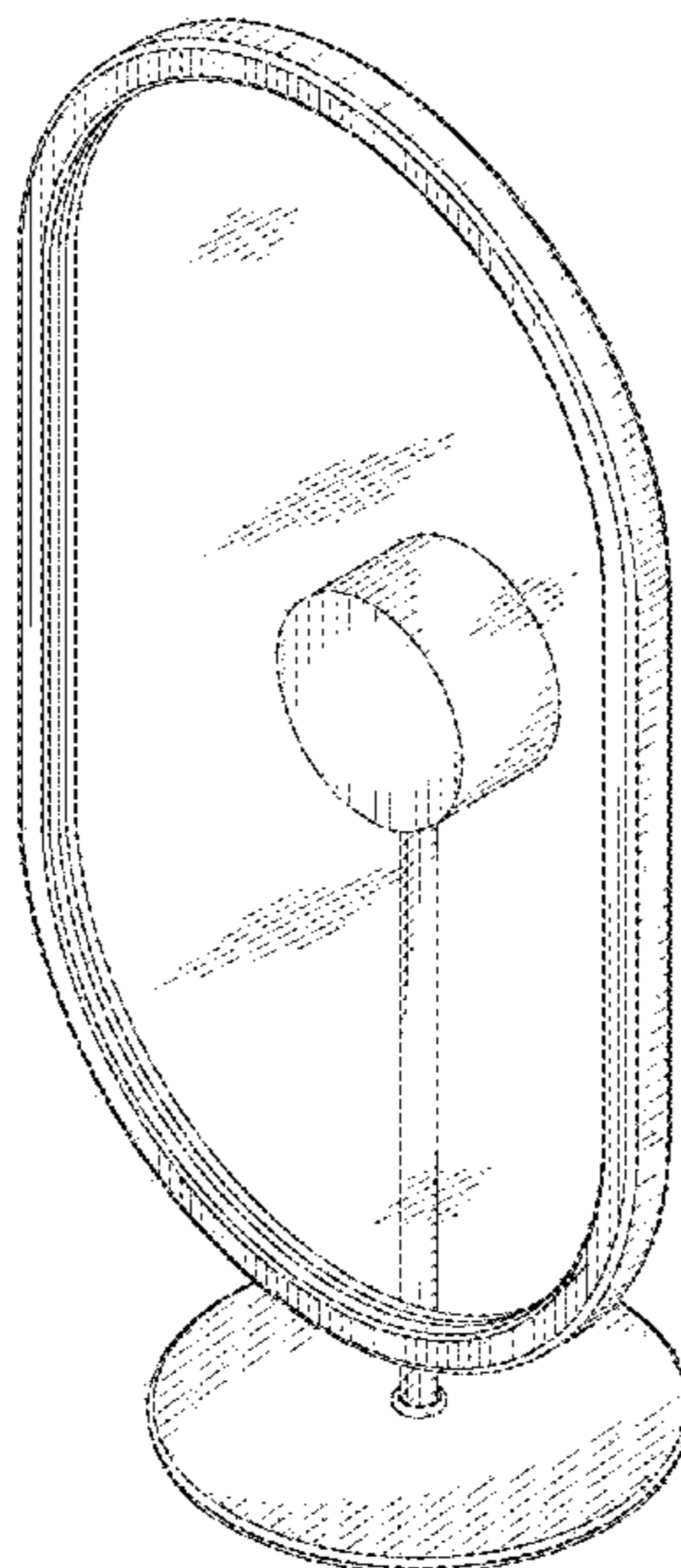
(57) **CLAIM**

The ornamental design for a photo display, as shown and described.

DESCRIPTION

FIG. 1 is a front perspective view of the photo display of the present invention;
 FIG. 2 is a front elevational view of the photo display shown in FIG. 1;
 FIG. 3 is a right side elevational view of the photo display shown in FIG. 1;
 FIG. 4 is a back elevational view of the photo display shown in FIG. 1;
 FIG. 5 is a left side elevational view of the photo display shown in FIG. 1;
 FIG. 6 is a top plan view of the photo display shown in FIG. 1;
 FIG. 7 is a bottom plan view of the photo display shown in FIG. 1; and,
 FIG. 8 is a front perspective view of the photo display shown in FIG. 1. The broken lines showing a photo representation illustrate environmental structure that form no part of the claimed design.

1 Claim, 7 Drawing Sheets



(56)

References Cited

U.S. PATENT DOCUMENTS

D874,162	S *	2/2020	Greenwait	D6/310
D879,481	S *	3/2020	Yang	D6/309
D882,280	S *	4/2020	Yang	D6/309
D891,123	S *	7/2020	Li	D6/310
D891,125	S *	7/2020	Liu	D6/310
D892,508	S *	8/2020	Yang	D6/309
D893,892	S *	8/2020	Rajasekaran	D6/310
D894,614	S *	9/2020	Chen	D6/309
D895,305	S *	9/2020	Yang	D6/309
D897,695	S *	10/2020	Yang	D6/309
D901,908	S *	11/2020	Zhao	D6/309
D905,449	S *	12/2020	Yang	D6/310
D905,976	S *	12/2020	Yang	D6/310
2007/0220794	A1 *	9/2007	Pitcher	G09F 15/0018
				40/611.08
2017/0164719	A1 *	6/2017	Wheeler	A45D 42/16
2017/0181528	A1 *	6/2017	Zimmerman	A45D 42/14
2018/0263362	A1 *	9/2018	Yang	A47G 1/04
2020/0064590	A1 *	2/2020	Boehm	A45D 42/16

* cited by examiner

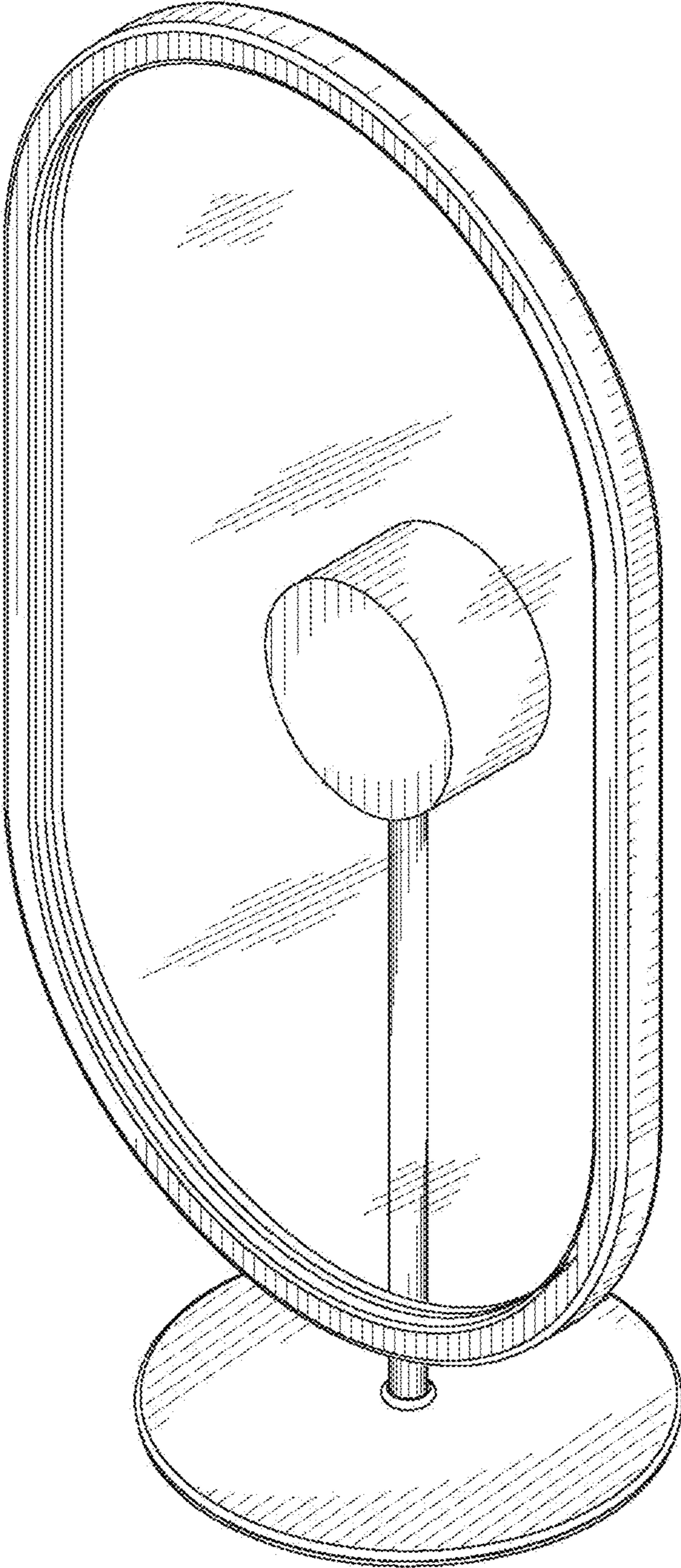


FIG. 1

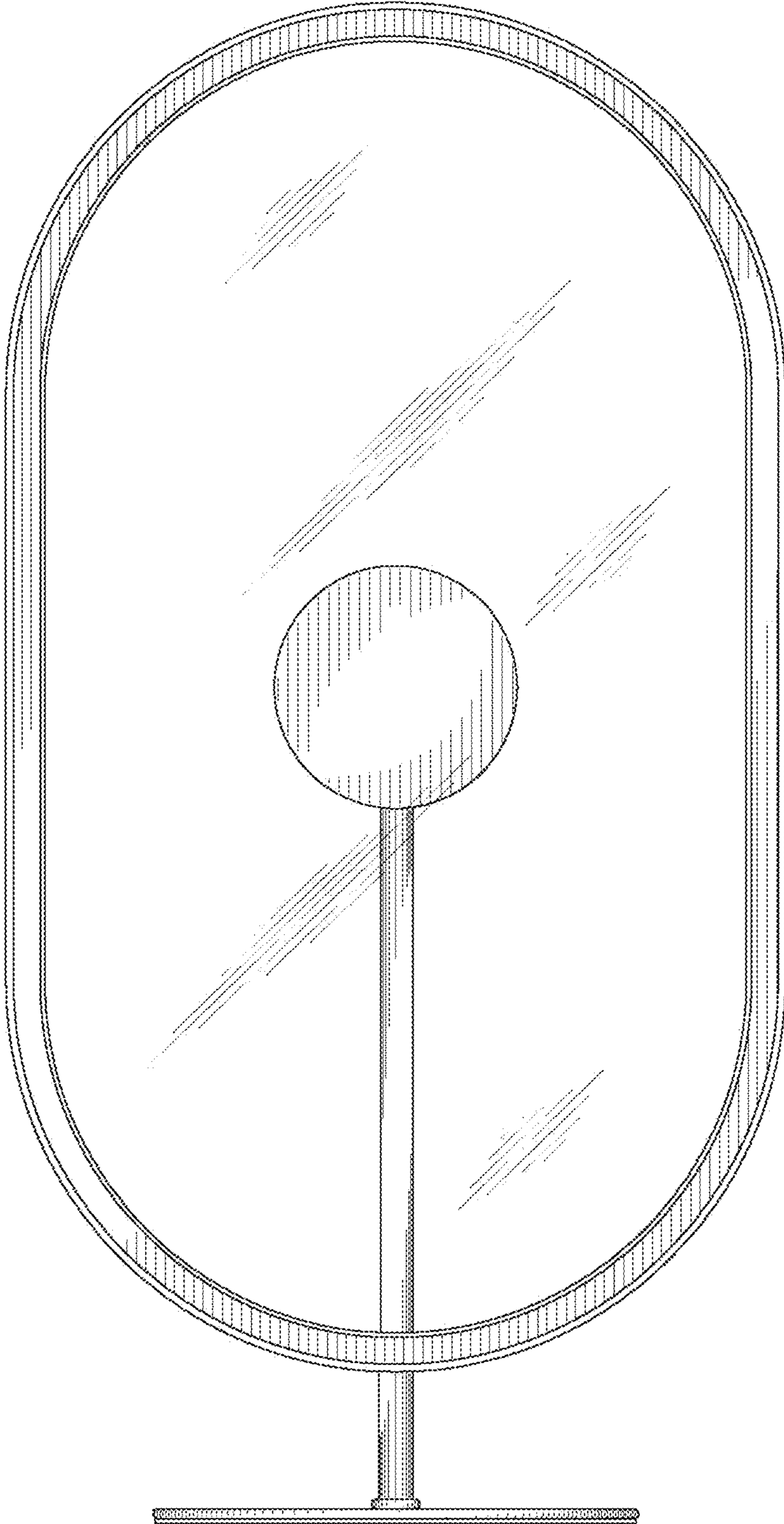


FIG. 2

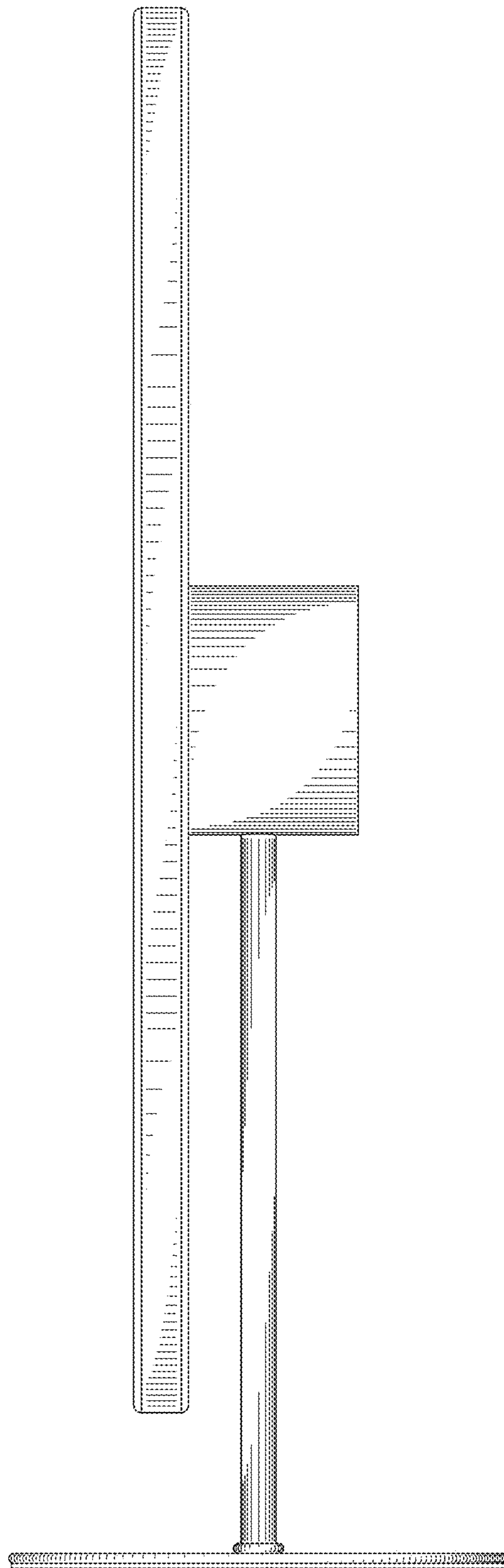


FIG. 3

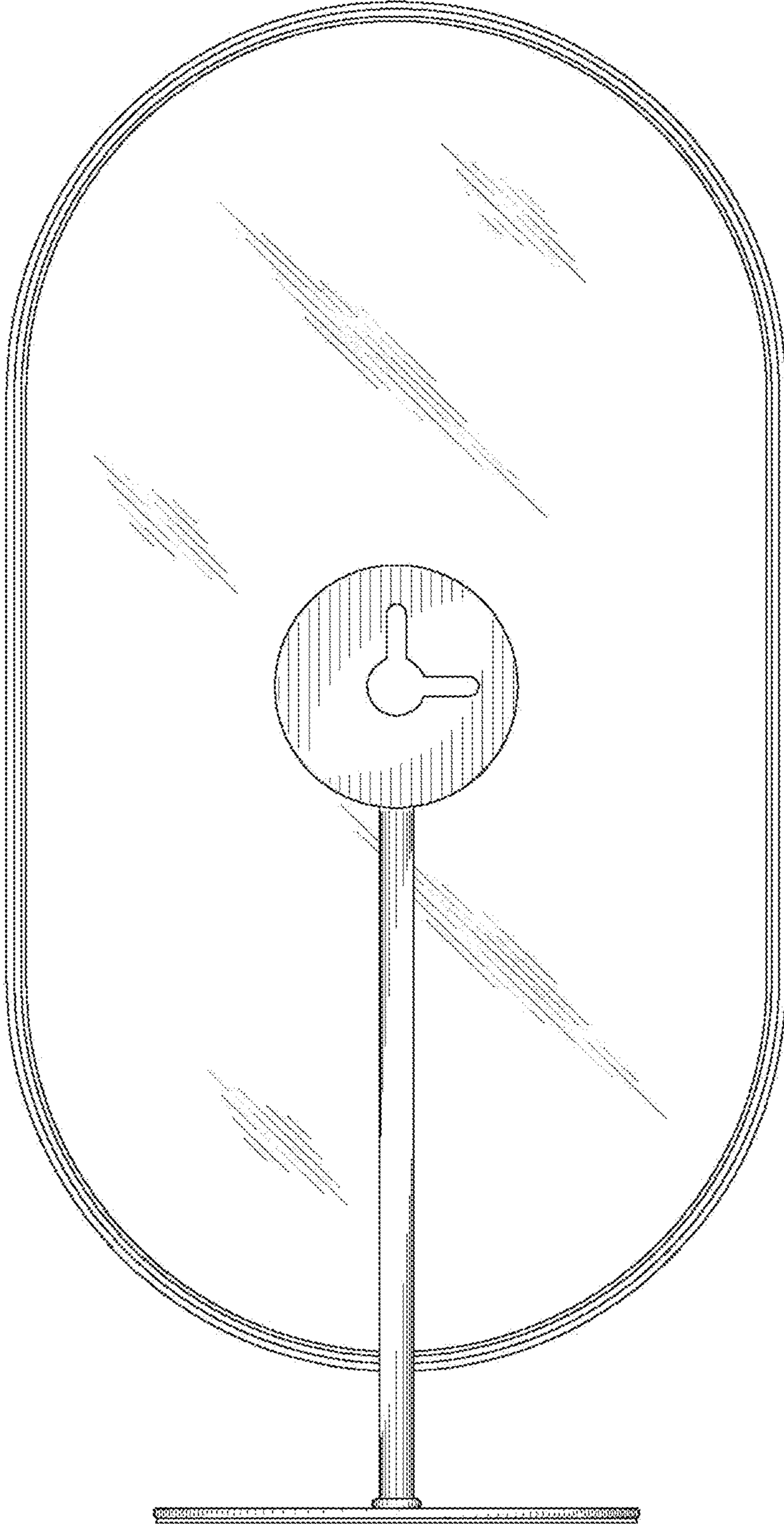


FIG. 4

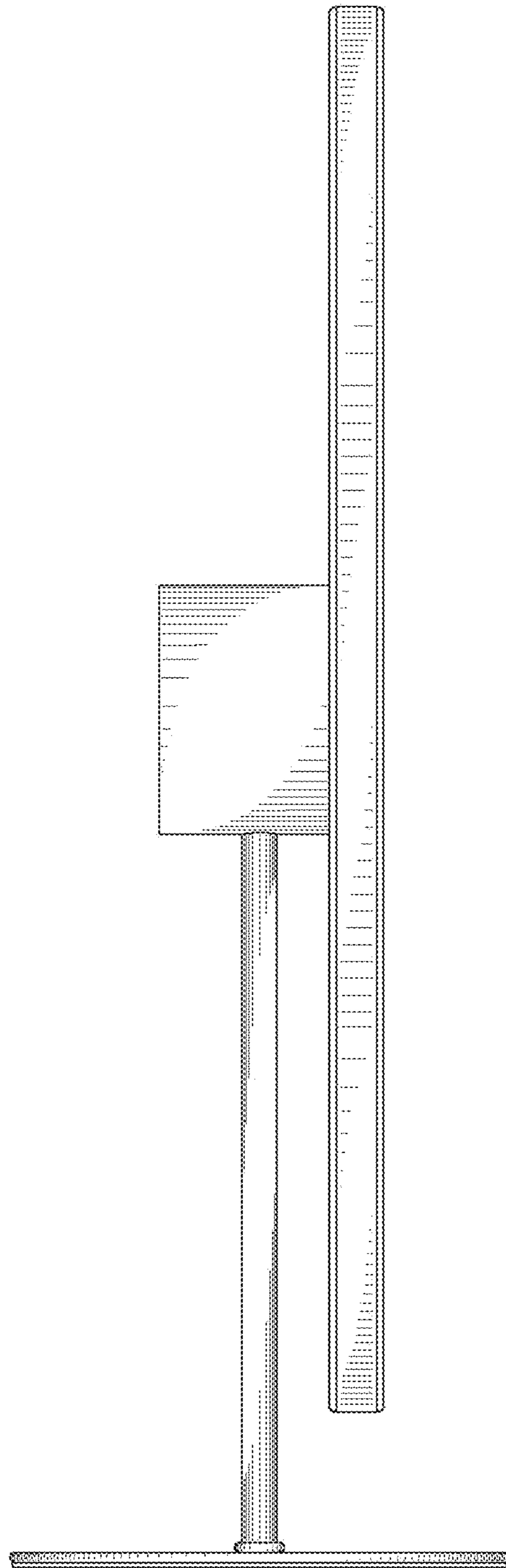


FIG. 5

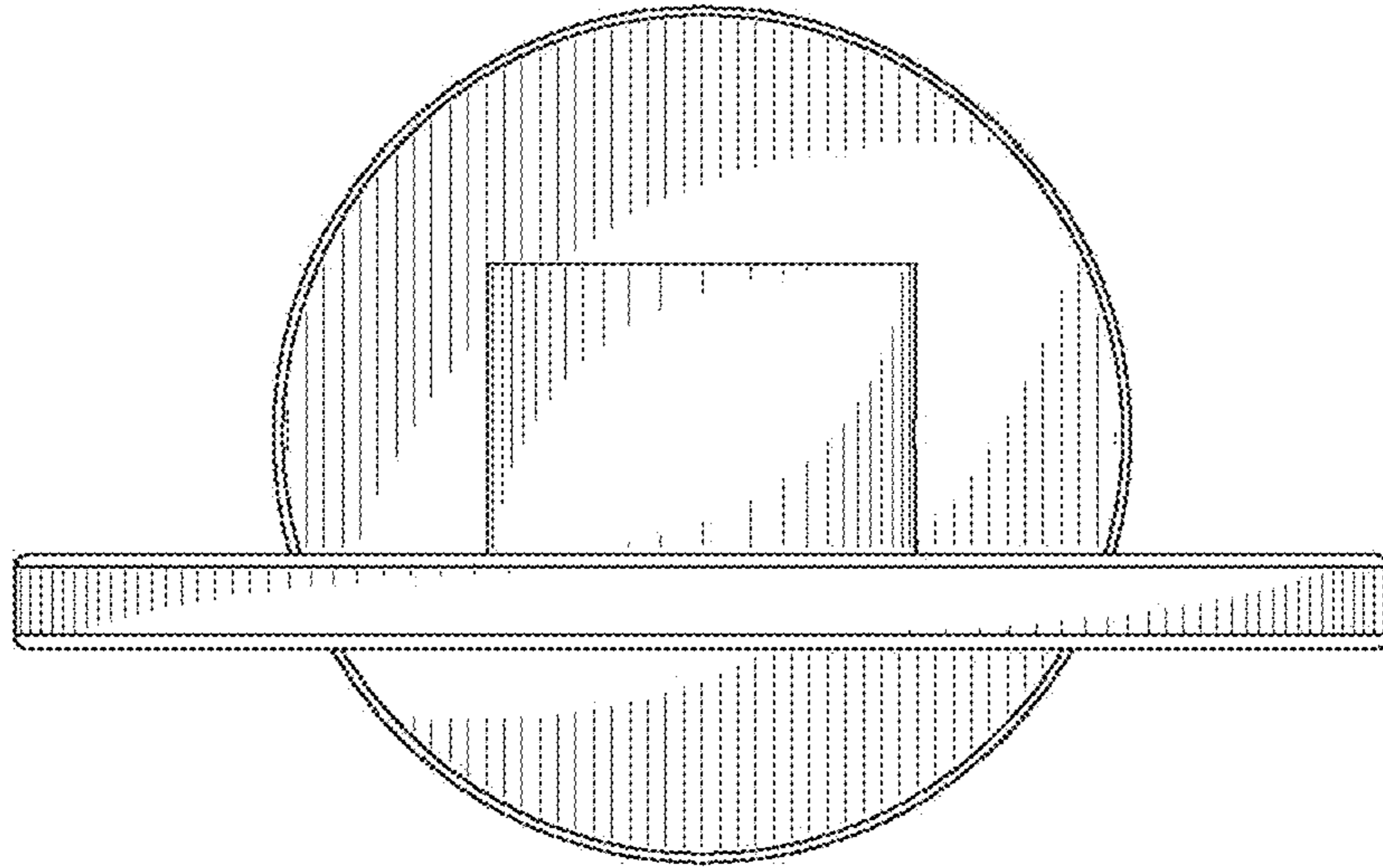


FIG. 6

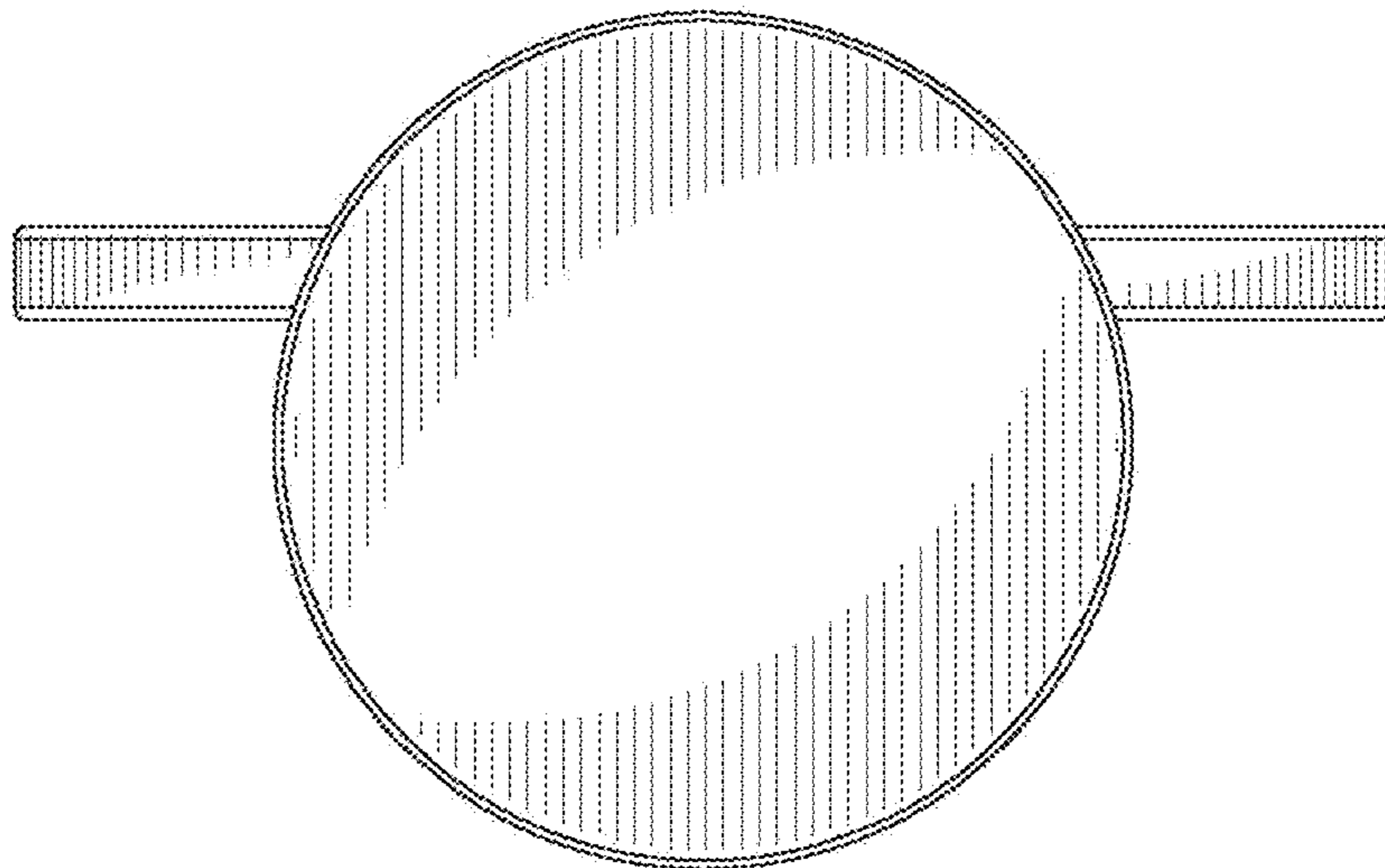


FIG. 7

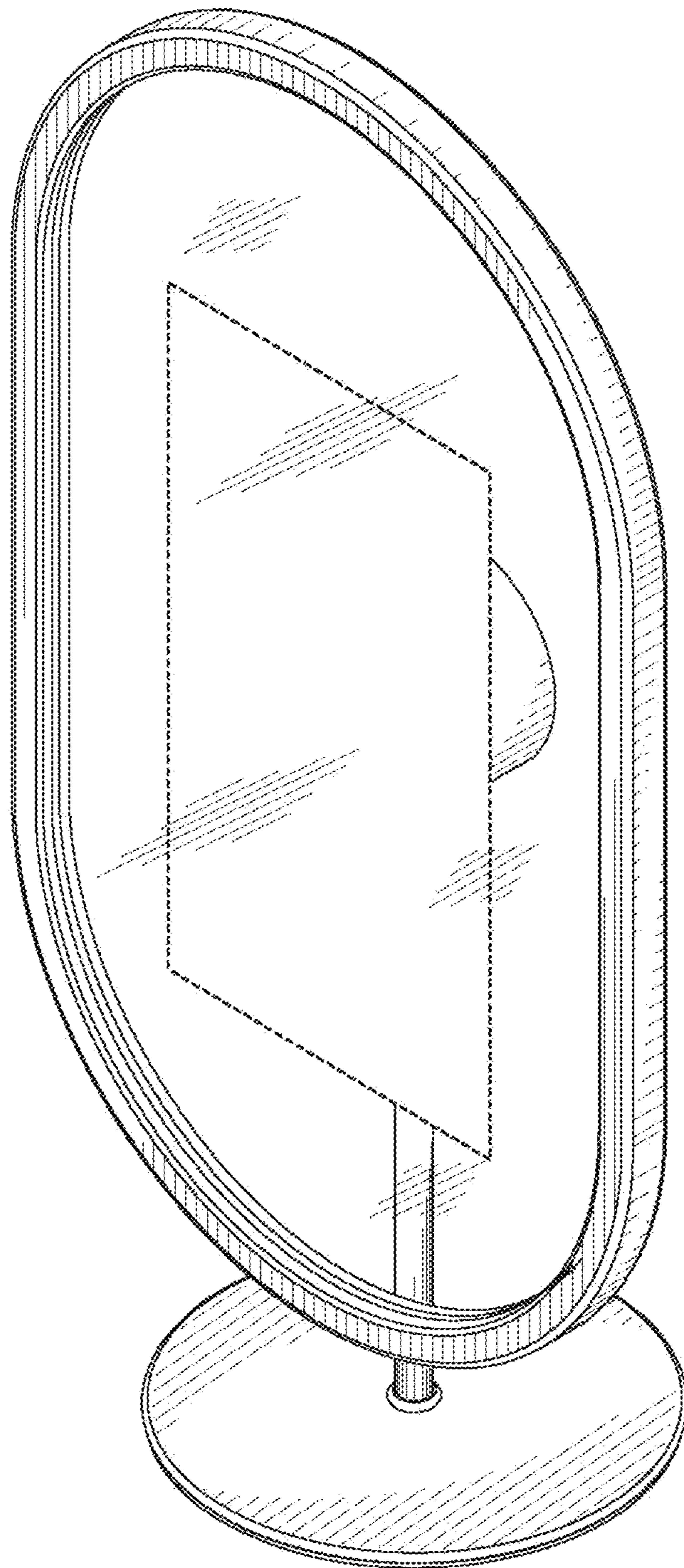


FIG. 8