



US00D925928S

(12) **United States Design Patent**  
**Yang et al.**

(10) **Patent No.:** **US D925,928 S**  
(45) **Date of Patent:** **\*\* Jul. 27, 2021**

(54) **VANITY MIRROR**

FOREIGN PATENT DOCUMENTS

(71) Applicant: **simplehuman, LLC**, Torrance, CA  
(US)

CN 2925206 Y 7/2007  
CN 106377049 A 2/2017

(Continued)

(72) Inventors: **Frank Yang**, Rancho Palos Verdes, CA  
(US); **Tzu-Hao Wei**, Hacienda Heights,  
CA (US); **Daniel Ballou**, Long Beach,  
CA (US)

OTHER PUBLICATIONS

Advanced Lighting Guidelines, 1993 (second edition), Chapter  
entitled, "Occupant Sensors", Published by California Energy Com-  
mission (CEC Pub.), in 14 pages.

(Continued)

(73) Assignee: **simplehuman, LLC**, Torrance, CA  
(US)

*Primary Examiner* — Deanna L Pratt

(\*\*) Term: **15 Years**

(74) *Attorney, Agent, or Firm* — Knobbe, Martens, Olson  
& Bear, LLP

(21) Appl. No.: **29/682,152**

(57) **CLAIM**

(22) Filed: **Mar. 1, 2019**

The ornamental design for a vanity mirror, as shown and  
described.

(51) **LOC (13) Cl.** ..... **06-07**

(52) **U.S. Cl.**  
USPC ..... **D6/309; D6/312**

**DESCRIPTION**

(58) **Field of Classification Search**  
USPC ..... D6/300, 301, 308, 309, 310, 312  
CPC ..... A47G 1/00; A47G 1/0633; A47G 1/0622;  
A47G 1/04; A47G 2200/08; A47G  
2200/085; A45D 42/20; F21V 33/004  
See application file for complete search history.

FIG. 1 is a top, front, left-side perspective view of a vanity  
mirror embodying our design in a first state;  
FIG. 2 is a top, rear, right-side perspective view thereof;  
FIG. 3 is a front elevation view thereof;  
FIG. 4 is a rear elevation view thereof;  
FIG. 5 is a right-side elevation view thereof;  
FIG. 6 is a left-side elevation view thereof;  
FIG. 7 is a top plan view thereof; and  
FIG. 8 is a bottom plan view thereof.  
FIG. 9 is a top, front, left-side perspective view of the vanity  
mirror embodying our design in a second state;  
FIG. 10 is a top, rear, right-side perspective view thereof;  
FIG. 11 is a front elevation view thereof;  
FIG. 12 is a rear elevation view thereof;  
FIG. 13 is a right-side elevation view thereof;  
FIG. 14 is a left-side elevation view thereof;  
FIG. 15 is a top plan view thereof; and,  
FIG. 16 is a bottom plan view thereof.

(56) **References Cited**

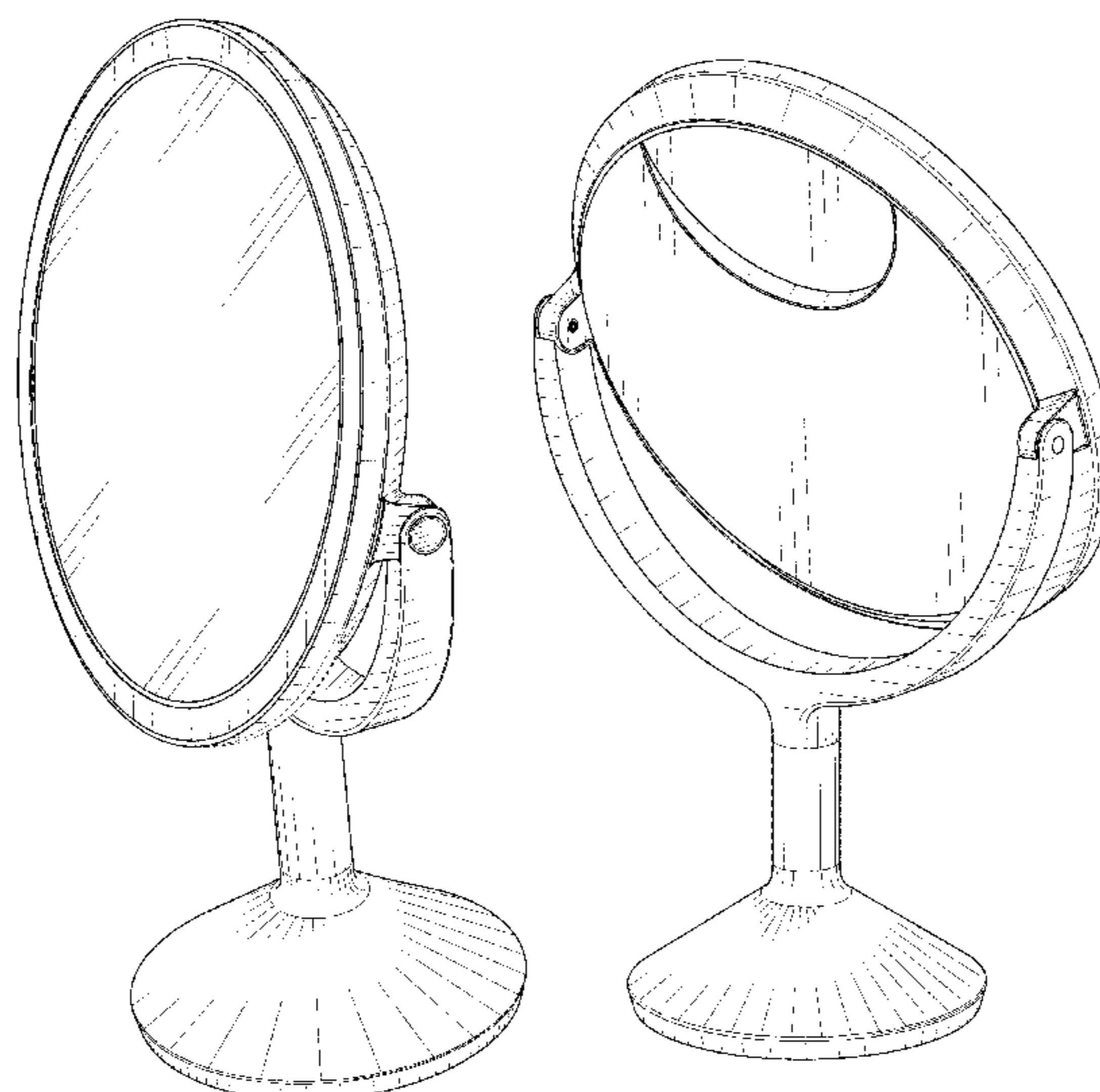
U.S. PATENT DOCUMENTS

D44,537 S	8/1913	McIsaac
D65,759 S	10/1924	Short
2,004,166 A	6/1935	Low
2,292,059 A	8/1942	Charles
2,687,674 A	8/1954	Emilea
D208,234 S	8/1967	Ely
D209,077 S	10/1967	Andre
D213,392 S	2/1969	Andre
D216,414 S	12/1969	Hanson
3,623,356 A	11/1971	Bisberg
3,732,702 A	5/1973	Desch
3,794,828 A	2/1974	Arpino

(Continued)

All features in broken line form no part of the claimed  
subject matter.

**1 Claim, 12 Drawing Sheets**



(56)

References Cited

U.S. PATENT DOCUMENTS

D243,301 S	2/1977	Ravn	D660,367 S	5/2012	Podd
D243,478 S	2/1977	Jones	D660,368 S	5/2012	Podd
D254,208 S	2/1980	Breslow	D660,369 S	5/2012	Podd
4,278,870 A	7/1981	Carleton et al.	8,194,133 B2	6/2012	DeWind et al.
D261,845 S	11/1981	Wachtel	D665,030 S	8/2012	Podd
D290,662 S	7/1987	Basil et al.	D666,010 S	8/2012	Farley
D307,358 S	4/1990	Gerton	D670,087 S	11/2012	Walker
D309,833 S	8/1990	Wahl	8,356,908 B1	1/2013	Zadro
D317,531 S	6/1991	Evans	8,382,189 B2	2/2013	Li et al.
5,164,861 A	11/1992	Katz	8,393,749 B1	3/2013	Daicos
D335,580 S	5/1993	Gaullier	D679,101 S	4/2013	Pitot
5,267,786 A	12/1993	Aisley	D679,102 S	4/2013	Gilboe et al.
5,392,162 A	2/1995	Glucksman	D680,755 S	4/2013	Gilboe et al.
D378,159 S	2/1997	Mulkey	D688,883 S	9/2013	Gilboe et al.
D379,125 S	5/1997	Simjian	D689,701 S	9/2013	Mischel, Jr. et al.
D391,773 S	3/1998	Zaidman et al.	8,585,273 B2	11/2013	Pokrovskiy et al.
D409,003 S	5/1999	Scavini	D699,448 S *	2/2014	Yang ..... D6/309
5,984,485 A	11/1999	Poli et al.	D699,952 S *	2/2014	Yang ..... D6/309
D425,313 S	5/2000	Zadro	D701,050 S *	3/2014	Yang ..... D6/309
D426,182 S	6/2000	Brown	D701,507 S	3/2014	Cope
D431,375 S	10/2000	Zadro	D707,454 S	6/2014	Pitot
6,158,877 A	12/2000	Zadro	D711,871 S	8/2014	Daniel
D442,371 S	5/2001	Eberts	D711,874 S	8/2014	Cope
6,241,357 B1	6/2001	Lee	D712,963 S	9/2014	Fleet
6,270,240 B1	8/2001	Inoue	D727,630 S	4/2015	Zadro
6,273,585 B1	8/2001	Wu	D729,525 S	5/2015	Tsai
6,305,809 B1	10/2001	Zadro	D729,527 S	5/2015	Tsai
D454,701 S	3/2002	Eric	D730,065 S	5/2015	Tsai
D459,094 S	6/2002	Stone et al.	D736,001 S *	8/2015	Yang ..... D6/309
6,420,682 B1	7/2002	Sellgren et al.	D737,059 S	8/2015	Tsai
D465,490 S	11/2002	Wei	D737,060 S	8/2015	Yang et al.
D474,432 S	5/2003	Good	D737,580 S	9/2015	Tsai
6,604,836 B2	8/2003	Carlucci et al.	D738,118 S	9/2015	Gyanendra et al.
D488,626 S	4/2004	Kruger	9,232,846 B2	1/2016	Fung
D492,230 S	6/2004	Berger	D751,829 S *	3/2016	Yang ..... D6/309
6,830,154 B2	12/2004	Zadro	D754,446 S *	4/2016	Yang ..... D6/310
6,848,822 B2	2/2005	Ballen et al.	9,347,660 B1 *	5/2016	Zadro ..... A45D 42/08
D505,555 S	5/2005	Snell	9,528,695 B2	12/2016	Adachi et al.
6,886,351 B2	5/2005	Palfy et al.	D779,836 S	2/2017	Bailey
D508,883 S	8/2005	Falconer	D785,345 S *	5/2017	Yang ..... D6/310
D509,369 S	9/2005	Snell	9,638,410 B2 *	5/2017	Yang ..... F21V 33/004
D511,413 S	11/2005	Yue	D793,099 S	8/2017	Bailey
D512,841 S	12/2005	Dirks	D801,060 S	10/2017	Hollinger
7,004,599 B2	2/2006	Mullani	D816,350 S *	5/2018	Yang ..... D6/309
7,048,406 B1	5/2006	Shih	D825,940 S	8/2018	Liu
7,054,668 B2	5/2006	Endo et al.	10,076,176 B2 *	9/2018	Yang ..... A47G 1/04
7,090,378 B1	8/2006	Zadro	D830,706 S *	10/2018	Pitot ..... D6/309
D532,981 S	12/2006	Zadro	10,524,591 B2 *	1/2020	Kim ..... A45D 42/00
D540,549 S	4/2007	Yue	D874,162 S *	2/2020	Greenwait ..... D6/310
7,233,154 B2	6/2007	Groover et al.	10,652,447 B1 *	5/2020	Pestl ..... G02B 7/182
D546,567 S	7/2007	Bhavnani	D891,121 S *	7/2020	Zhao ..... D6/308
D558,987 S	1/2008	Gildersleeve	D891,123 S *	7/2020	Li ..... D6/310
D562,571 S	2/2008	Pitot	D891,125 S *	7/2020	Liu ..... D6/310
7,341,356 B1	3/2008	Zadro	D892,508 S *	8/2020	Yang ..... D6/309
7,347,573 B1	3/2008	Isler	D897,694 S *	10/2020	Lin ..... D6/309
D568,081 S	5/2008	Thompson et al.	D897,695 S *	10/2020	Yang ..... D6/309
D569,671 S	5/2008	Thompson et al.	D898,386 S *	10/2020	Huang ..... D6/309
D572,024 S	7/2008	Shapiro	D898,387 S *	10/2020	Yang ..... D6/309
7,393,115 B2	7/2008	Tokushita et al.	2002/0196333 A1	12/2002	Gorischek
D574,159 S	8/2008	Howard	2003/0030063 A1	2/2003	Sosniak et al.
D584,516 S	1/2009	Otomo	2003/0031010 A1	2/2003	Sosniak et al.
7,513,476 B1	4/2009	Huang	2004/0020509 A1	2/2004	Waisman
7,626,655 B2	12/2009	Yamazaki et al.	2004/0125592 A1	7/2004	Nagakubo et al.
7,651,229 B1	1/2010	Rimback et al.	2004/0156133 A1	8/2004	Vernon
D635,009 S	3/2011	Paterson	2005/0068646 A1	3/2005	Lev et al.
7,953,648 B2	5/2011	Vock	2005/0243556 A1	11/2005	Lynch
D639,077 S	6/2011	DeBretton Gordon	2005/0270769 A1	12/2005	Smith
D647,444 S	10/2011	Manukyan et al.	2005/0276053 A1	12/2005	Nortrup et al.
D649,790 S	12/2011	Pitot	2006/0186314 A1	8/2006	Leung
D652,220 S	1/2012	Pitot	2007/0159846 A1	7/2007	Nishiyama et al.
D656,979 S	4/2012	Yip et al.	2007/0263999 A1	11/2007	Keam
D657,425 S	4/2012	Podd	2007/0297189 A1	12/2007	Wu et al.
D657,576 S	4/2012	Pitot	2008/0130305 A1	6/2008	Wang et al.
8,162,502 B1	4/2012	Zadro	2008/0258110 A1	10/2008	Oshio
D658,604 S	5/2012	Egawa et al.	2008/0298080 A1	12/2008	Wu et al.
			2009/0027902 A1	1/2009	Fielding et al.
			2009/0194670 A1	8/2009	Rains, Jr. et al.
			2009/0207339 A1	8/2009	Ajichi et al.
			2009/0213604 A1	8/2009	Uken



(56)

References Cited

U.S. PATENT DOCUMENTS

2009/0301927	A1	12/2009	Fvlbrook et al.	
2010/0033988	A1	2/2010	Chiu et al.	
2010/0118422	A1	5/2010	Holacka	
2010/0118520	A1	5/2010	Stern et al.	
2010/0296298	A1	11/2010	Martin, Jr.	
2011/0058269	A1	3/2011	Su	
2011/0080374	A1	4/2011	Feng et al.	
2011/0211079	A1	9/2011	Rolston	
2011/0283577	A1	11/2011	Cornelissen et al.	
2012/0056738	A1	3/2012	Lynam	
2012/0081915	A1	4/2012	Foote et al.	
2012/0229789	A1	9/2012	Kang et al.	
2012/0307490	A1	12/2012	Ellis	
2013/0026512	A1	1/2013	Tsai	
2013/0077292	A1	3/2013	Zimmerman	
2013/0190845	A1	7/2013	Liu et al.	
2014/0240964	A1	8/2014	Adachi et al.	
2015/0060431	A1*	3/2015	Yang .....	H05B 3/845 219/219
2015/0305113	A1	10/2015	Ellis	
2016/0045015	A1	2/2016	Baldwin	
2019/0003699	A1*	1/2019	Mondora .....	F21V 33/004
2020/0333934	A1*	10/2020	Pestl .....	F21V 33/004

FOREIGN PATENT DOCUMENTS

CN	305643082	*	3/2020
CN	306124222	*	10/2020
DE	2924529	A1	1/1981
DE	29904039	U1	6/1999
DE	20014279	U1	2/2001
DE	102004042929	A1	3/2006
DE	202007013393	U1	12/2007
DE	102006060781	A1	4/2008
DE	202009004795	U1	9/2009
DE	202010000170	U1	7/2010
DE	202012103555	U1	2/2014
EP	1792553	A2	6/2007
GB	6069642	*	8/2019
GB	6069643	*	8/2019
JP	2004-290531	A	10/2004
JP	2008-073174	A	4/2008
KR	2003-0017261	A	3/2003

OTHER PUBLICATIONS

Simple Human Vanity Mirror, available from internet at <http://www.bedbathandbeyond.com/store/products/simplehuman-reg-5x-sensor->

[vanity-mirror/1041483503?categoryId=12028](http://www.vanity-mirror/1041483503?categoryId=12028), apparently available Dec. 19, 2013, site visited Dec. 2, 2014.

Simple Human Sensor Mirror, Internet Archive Wayback Machine webpage capture of <http://www.tuvie.com/stainless-steel-sensor-mirror-by-simplehuman/>, apparently available Jan. 27, 2013, site visited Dec. 2, 2014.

Simplehuman Mini Sensor Mirror, available from internet at [http://www.amazon.com/gp/product/B00FZ3MFAA/ref=pd\\_lpo\\_sbs\\_dp\\_ss\\_2?pf\\_rd\\_p=1944579862&pf\\_rd\\_s=lpo-top-stripe-1&pf\\_rd\\_t=201&pf\\_rd\\_i=B00M8MC5H4&pf\\_rd\\_m=ATVPDKIKX0DER&pf\\_rd\\_r=0RHFJEABM9QKSWJKK99N#Ask](http://www.amazon.com/gp/product/B00FZ3MFAA/ref=pd_lpo_sbs_dp_ss_2?pf_rd_p=1944579862&pf_rd_s=lpo-top-stripe-1&pf_rd_t=201&pf_rd_i=B00M8MC5H4&pf_rd_m=ATVPDKIKX0DER&pf_rd_r=0RHFJEABM9QKSWJKK99N#Ask), apparently available Mar. 11, 2014, site visited Jan. 8, 2015.

Simplehuman Sensor Mirror, available from internet at <http://www.amazon.com/simplehuman-Sensor-Sensor-Activated-Lighted-Magnification/dp/B00M8MC5H4#customerReviews>, apparently available Dec. 31, 2014, site visited Jan. 8, 2015.

Simplehuman Wall Mount Mirror, available from internet at <http://www.amazon.com/simplehuman-Wall-Mount-Sensor-Mirror/dp/B00FN92ELG#customerReviews>, available at least as early as Jan. 31, 2013, site visited Jan. 8, 2015.

Simplehuman Wide View Sensor Mirror, available from internet at <http://www.amazon.com/simplehuman-Wide-View-Sensor-Mirror/dp/B01C2RXD7K>, site visited Aug. 9, 2016.

Simplehuman Sensor Mirror Pro Wide-View, available from internet at <http://www.simplehuman.com/wide-view-sensor-mirror>, site visited Aug. 9, 2016.

Brookstone Shower Mirror, available from internet at [http://www.brookstone.com/9-Lighted-Fogless-Shower-Mirror?bkid=?SubCategory\\_Bath\\_Spa\\_Mirrors\\_Lighting\\_Makeup\\_Mirrors%7CSubCategoryWidget%7C608364p&catId=n/](http://www.brookstone.com/9-Lighted-Fogless-Shower-Mirror?bkid=?SubCategory_Bath_Spa_Mirrors_Lighting_Makeup_Mirrors%7CSubCategoryWidget%7C608364p&catId=n/), apparently available Jan. 15, 2013, site visited Dec. 2, 2014.

Jerdon Wall Mounted Mirror, available from internet at [http://www.amazon.com/Jerdon-HL1016NL-9-5-Inch-Lighted-Magnification/dp/B00413G9K2/ref=sr\\_1\\_26?ie=UTF8&qid=1420579897&sr=8-26&keywords=wall+mounted+mirror#customerReviews](http://www.amazon.com/Jerdon-HL1016NL-9-5-Inch-Lighted-Magnification/dp/B00413G9K2/ref=sr_1_26?ie=UTF8&qid=1420579897&sr=8-26&keywords=wall+mounted+mirror#customerReviews), apparently available Feb. 21, 2009, site visited Jan. 8, 2015.

Jerdon Wall Mounted Mirror, available from internet at [http://www.amazon.com/Jerdon-JD7C-9-Inch-Lighted-Magnification/dp/B001DKVC08/ref=sr\\_1\\_54?ie=UTF8&qid=1420580127&sr=8-54&keywords=wall+mounted+mirror](http://www.amazon.com/Jerdon-JD7C-9-Inch-Lighted-Magnification/dp/B001DKVC08/ref=sr_1_54?ie=UTF8&qid=1420580127&sr=8-54&keywords=wall+mounted+mirror), apparently available Oct. 6, 2010, site visited Jan. 8, 2015.

Zadro Z'fogless Mirror with Light, available from internet at [http://www.amazon.com/Zadro-1X-Zfogless-Adjustable-Magnification/dp/B000ARWLIW/ref=sr\\_1\\_16?s=beauty&ie=UTF8&qid=1439229012&sr=1-16&keywords=zadro+lighted+fogless+mirror](http://www.amazon.com/Zadro-1X-Zfogless-Adjustable-Magnification/dp/B000ARWLIW/ref=sr_1_16?s=beauty&ie=UTF8&qid=1439229012&sr=1-16&keywords=zadro+lighted+fogless+mirror), apparently available Nov. 27, 2006, site visited Aug. 10, 2015.

\* cited by examiner

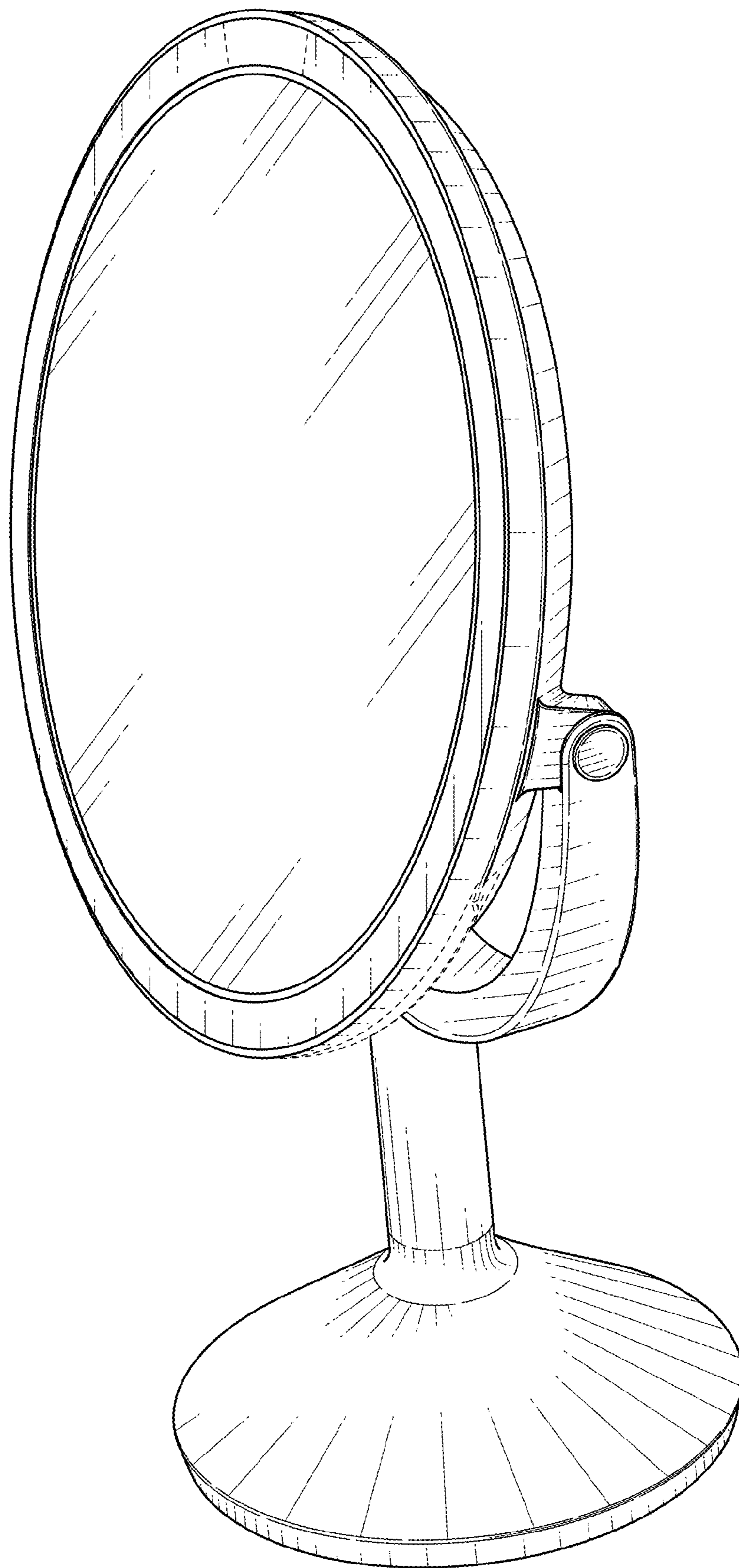


FIG. 1

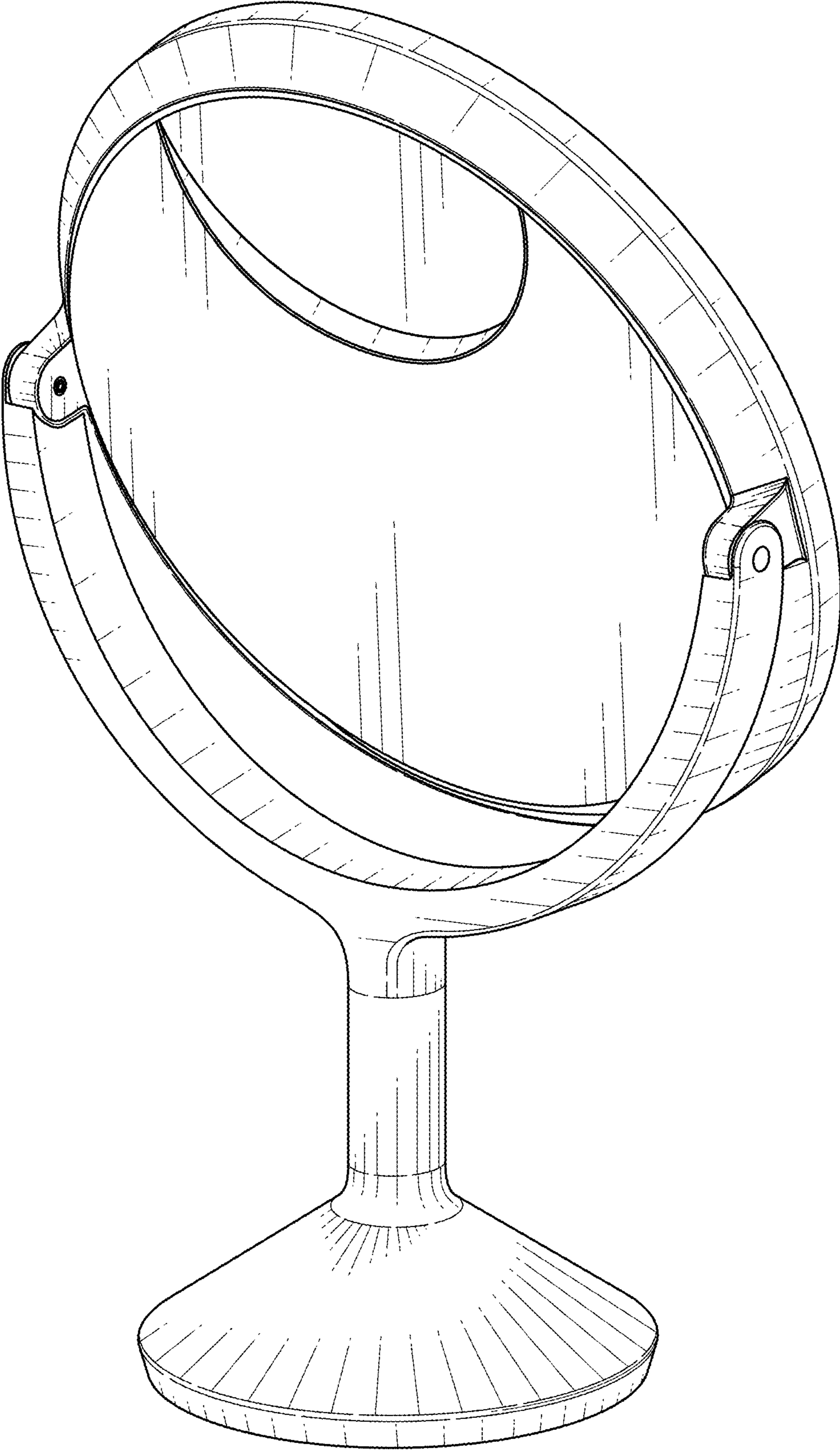


FIG. 2



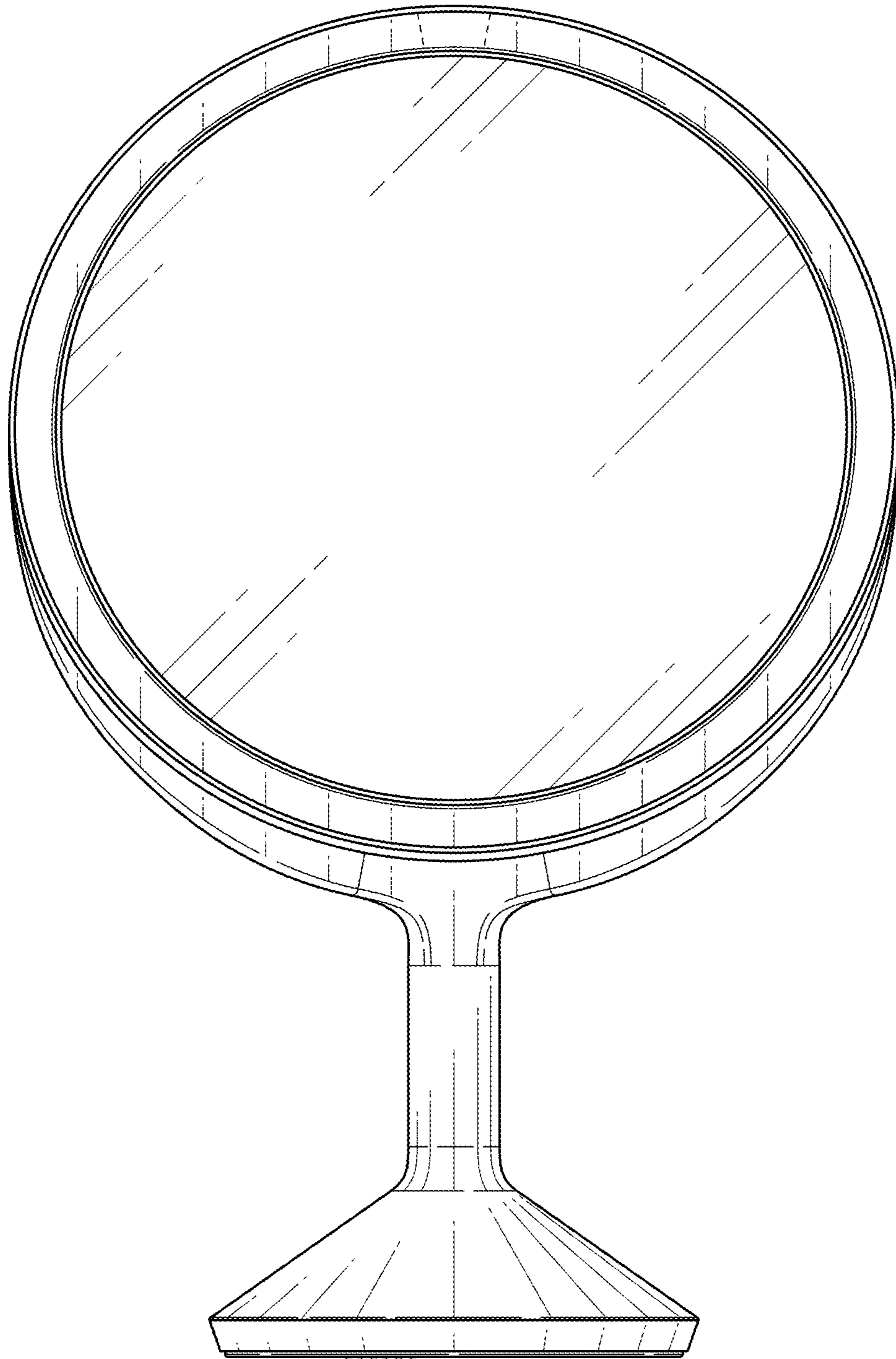


FIG. 3

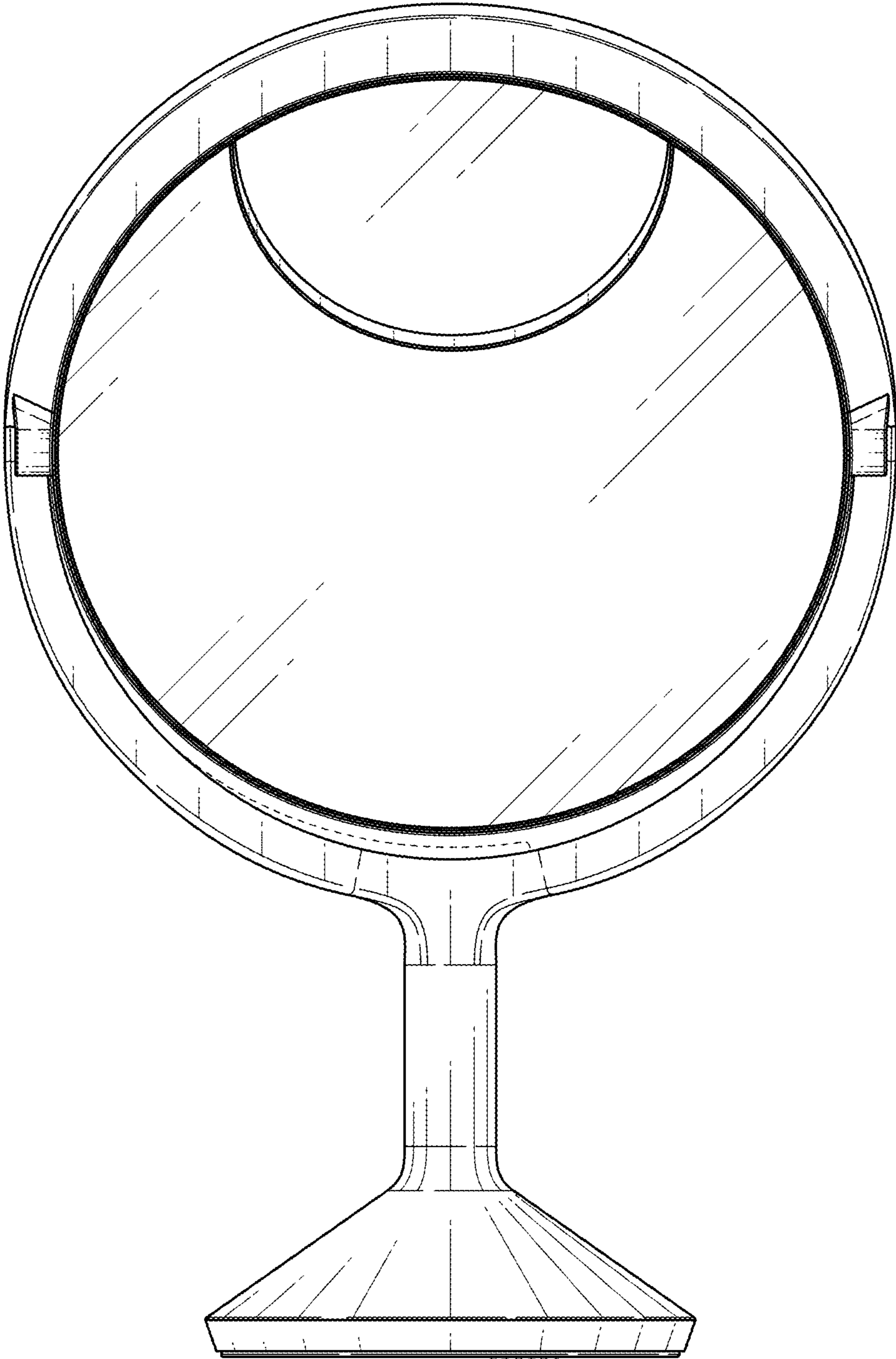


FIG. 4

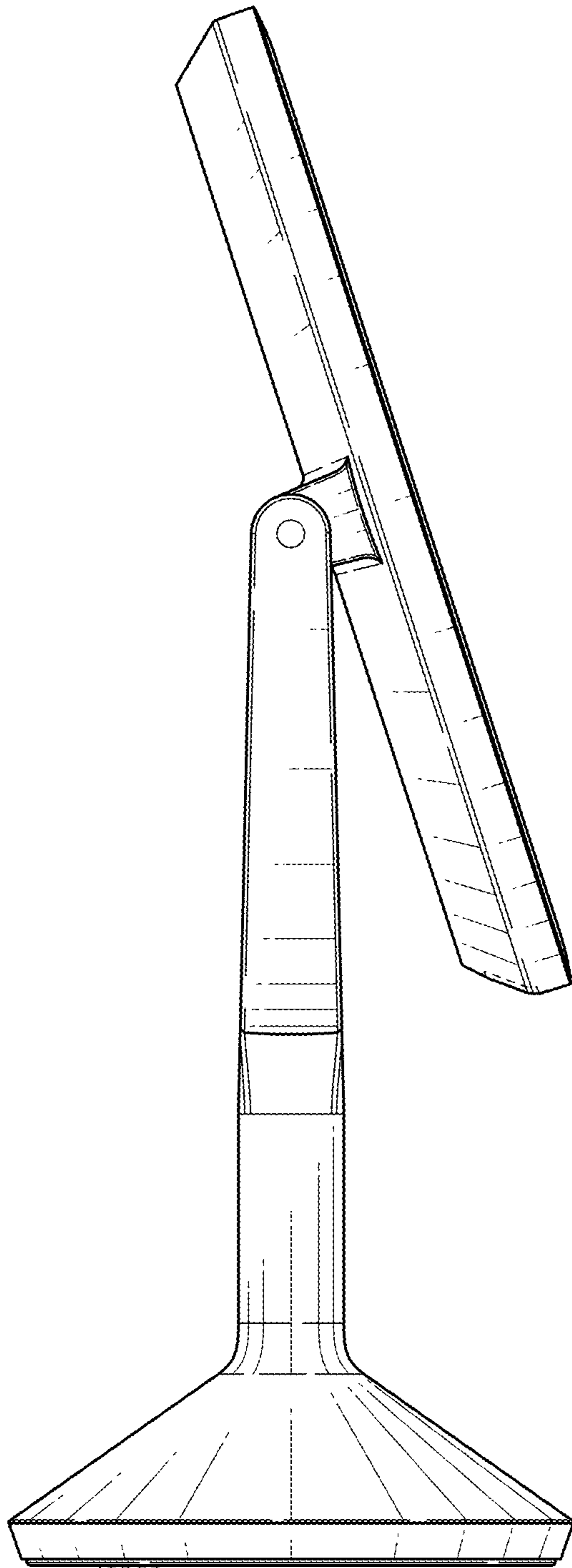


FIG. 5

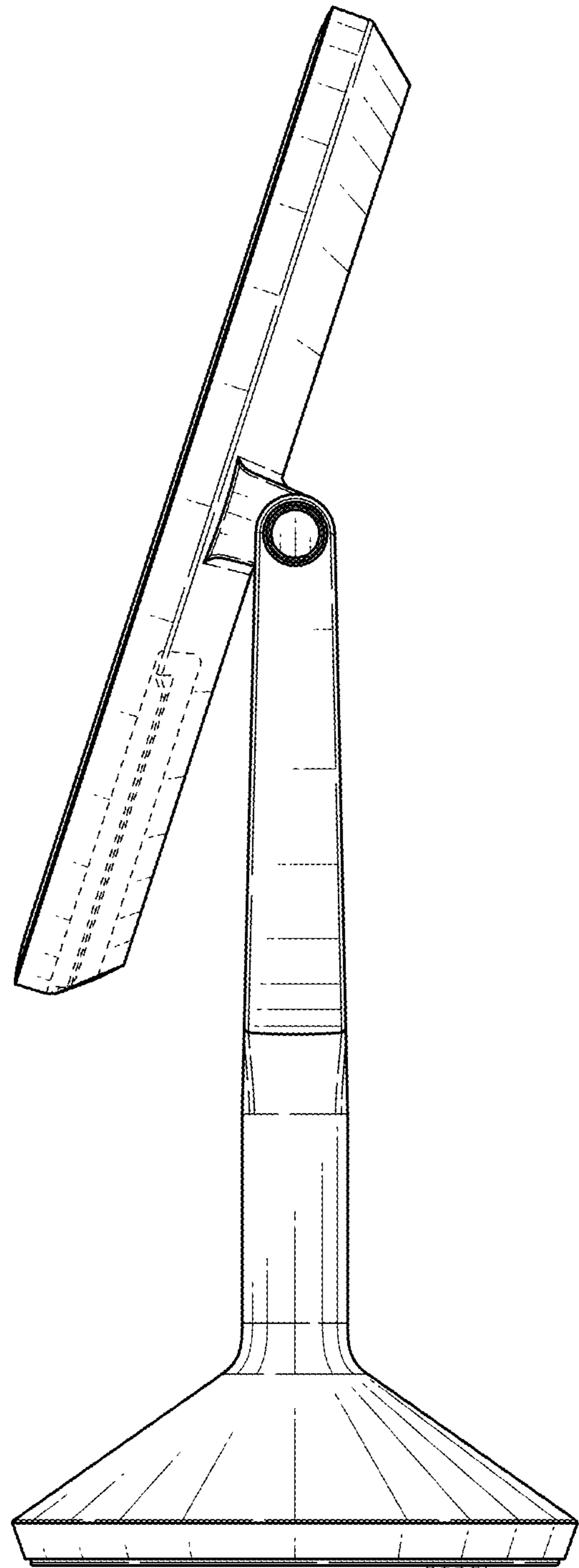


FIG. 6



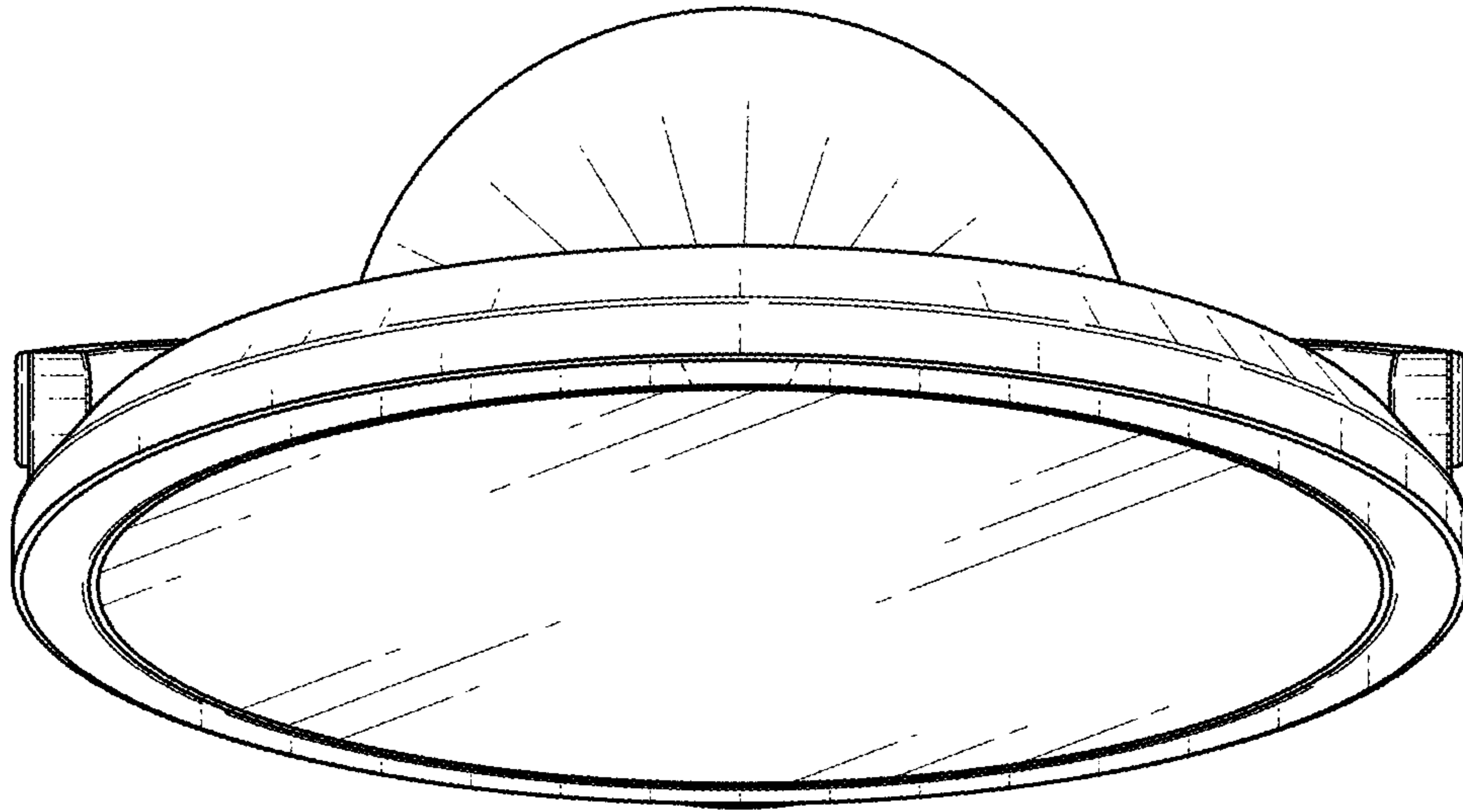


FIG. 7

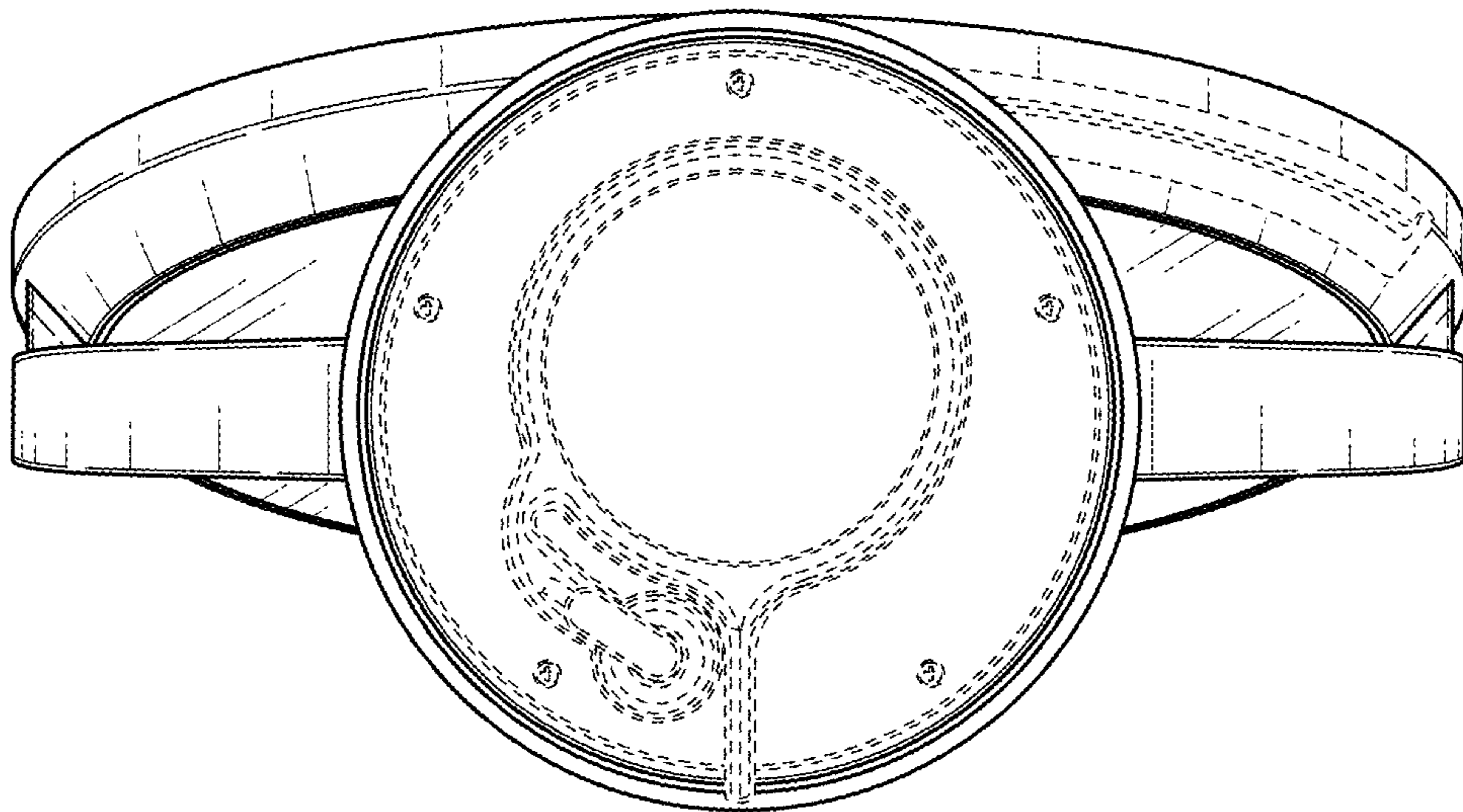


FIG. 8

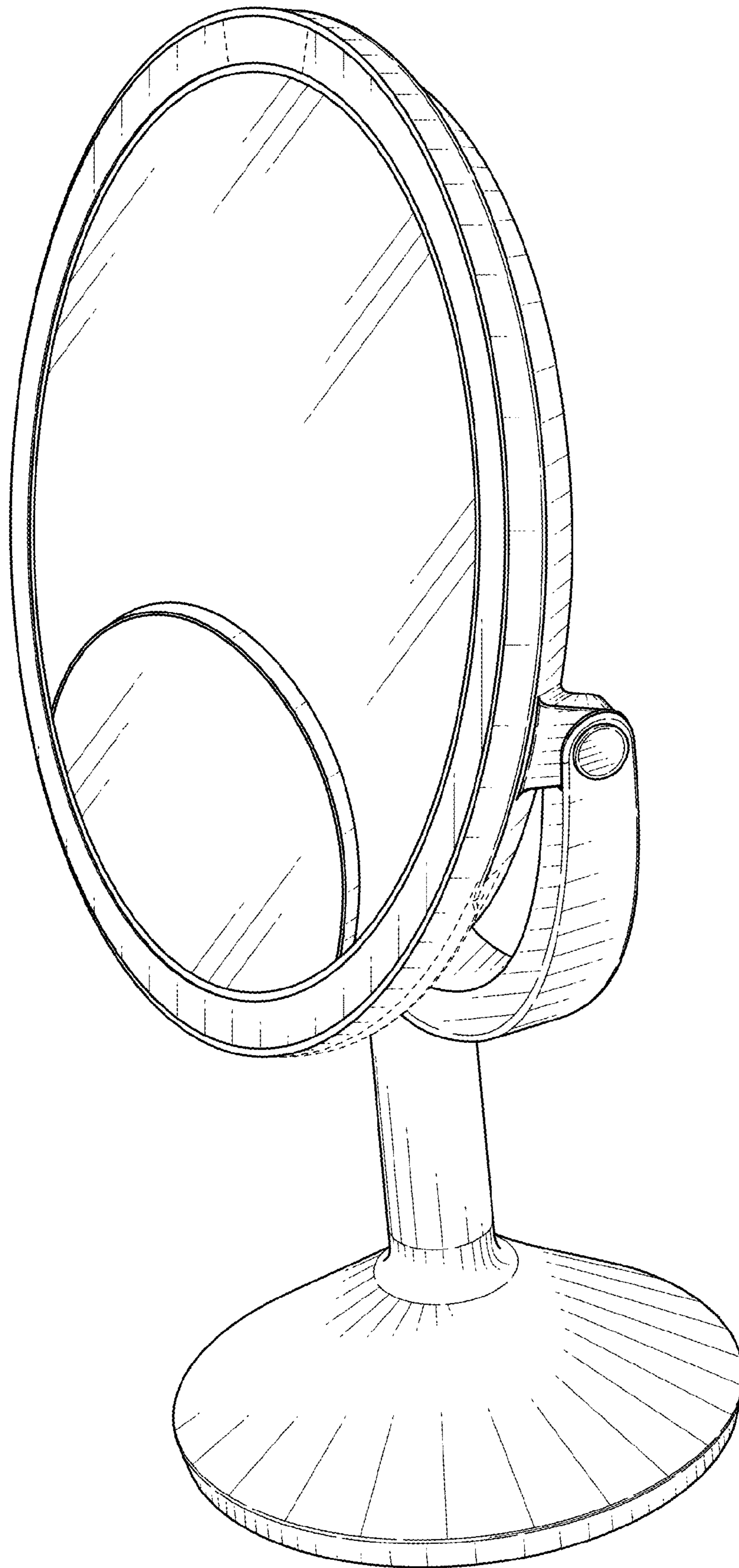


FIG. 9

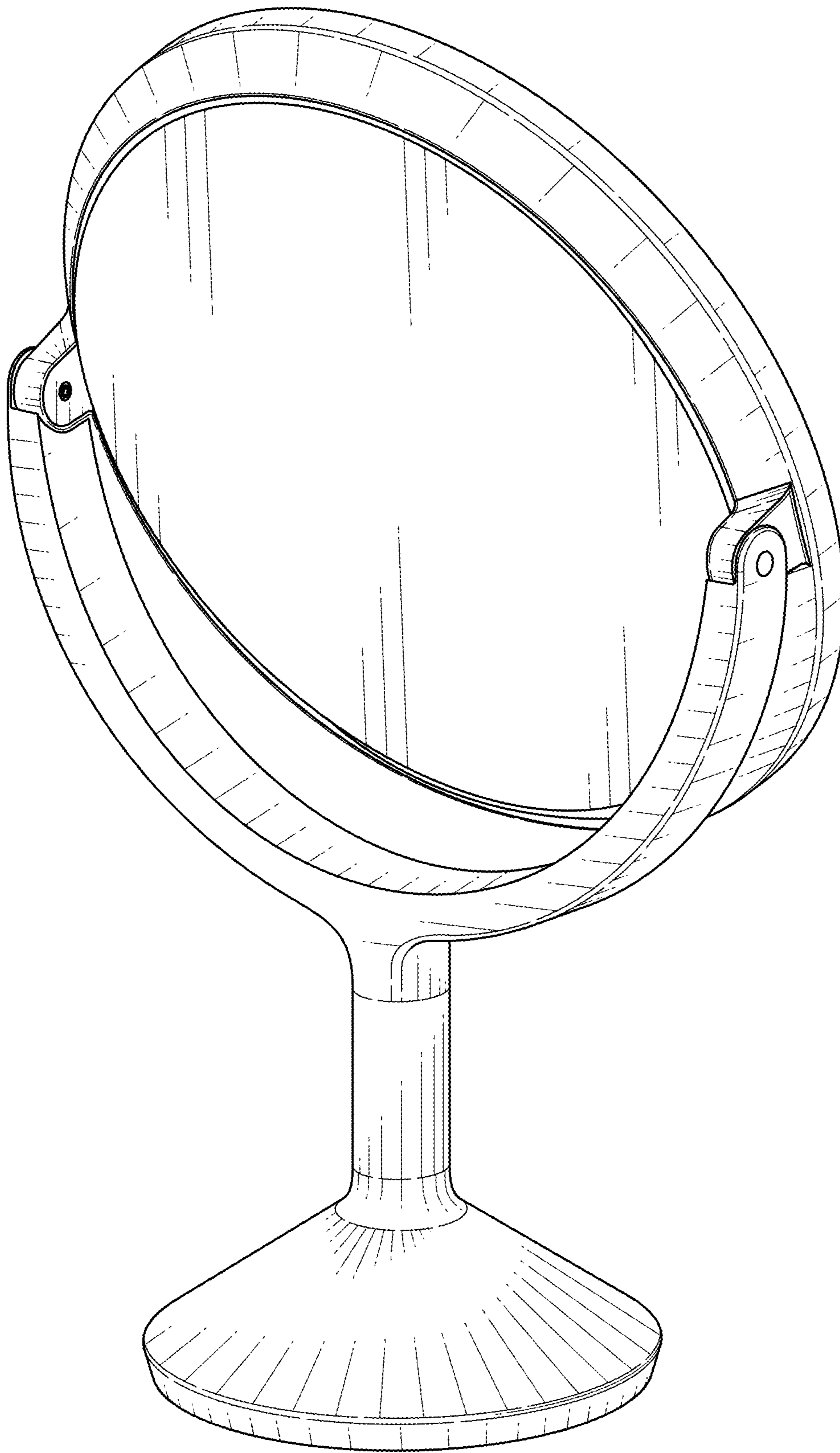


FIG. 10



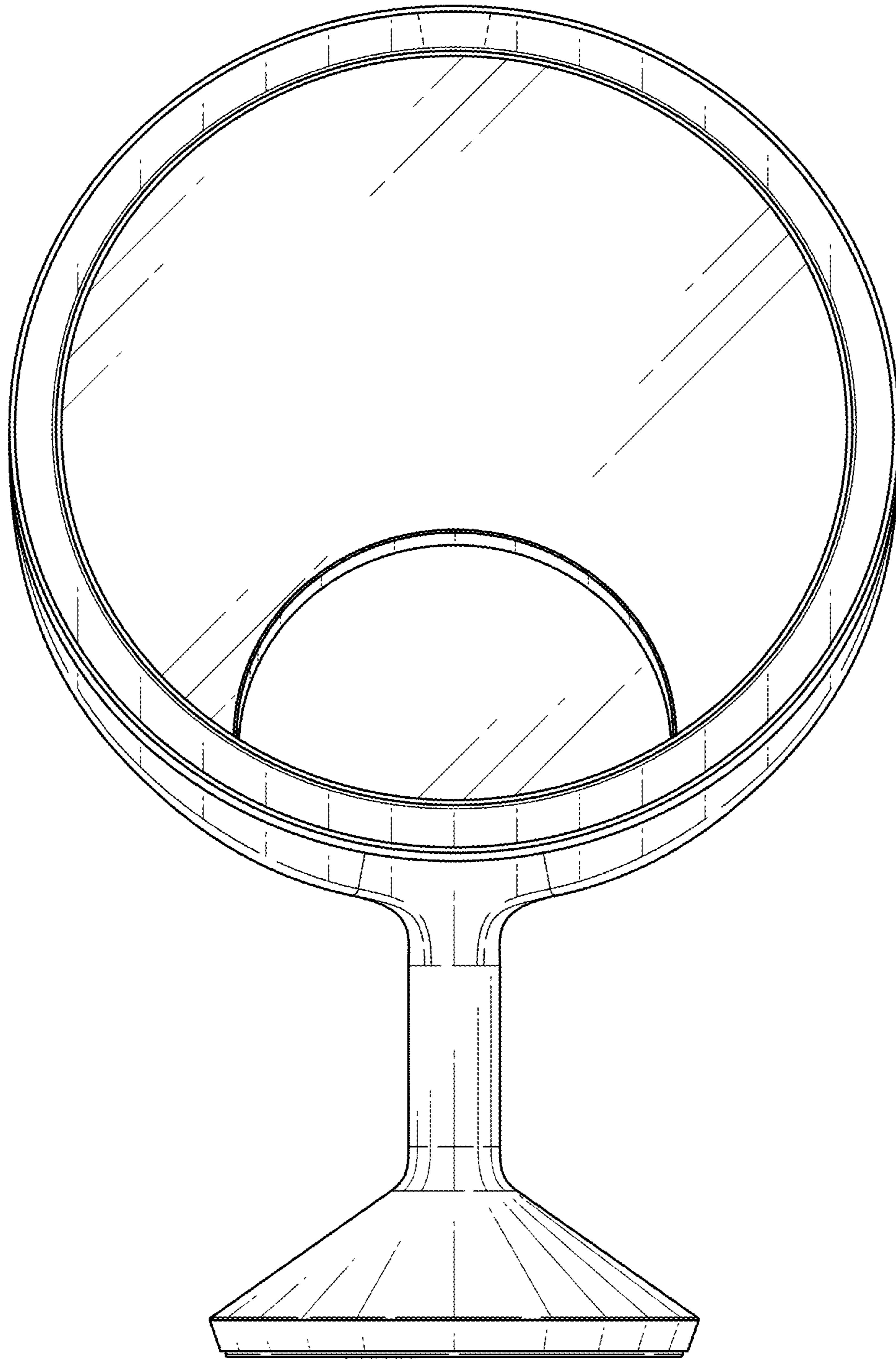


FIG. 11

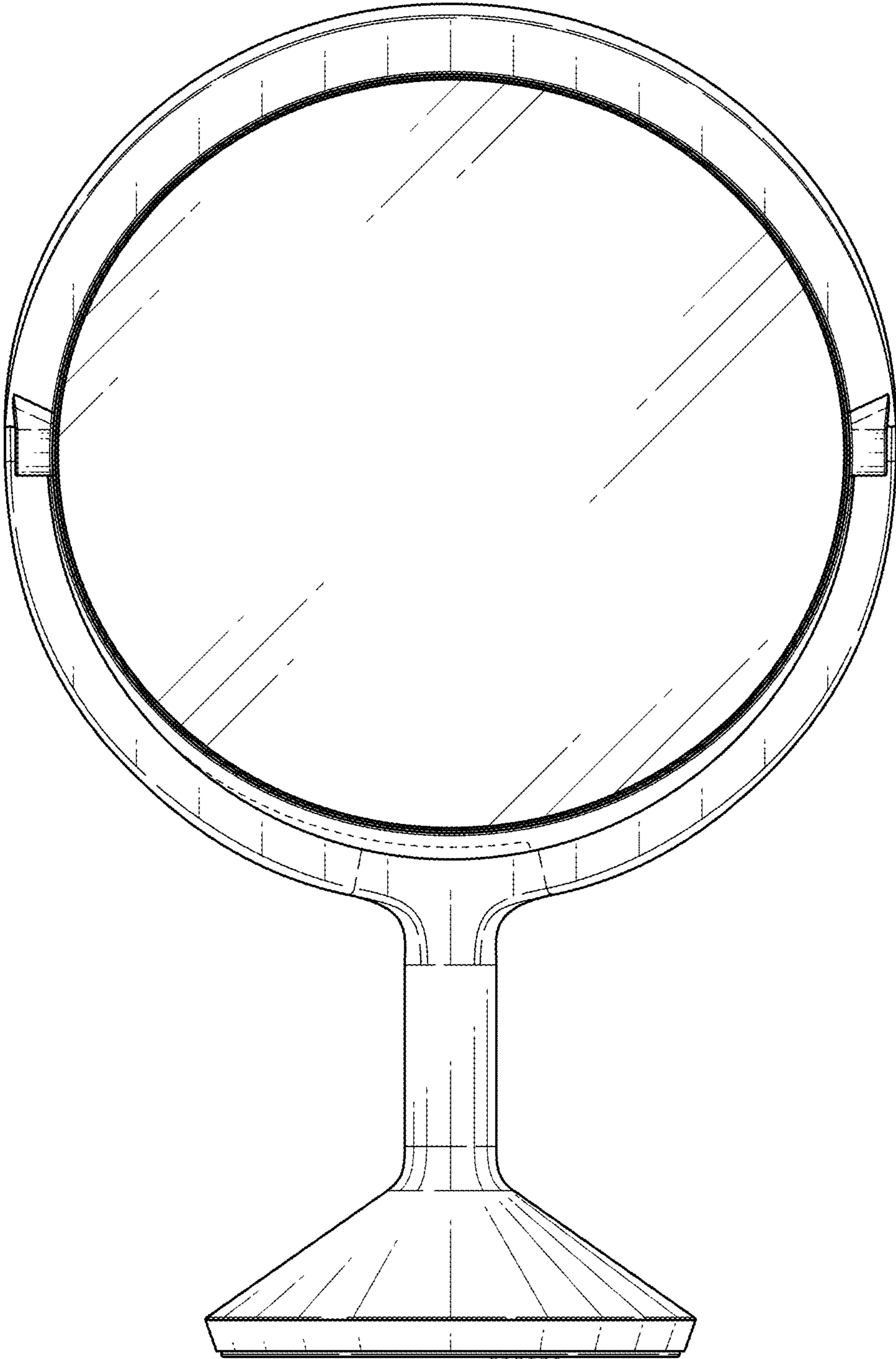


FIG. 12

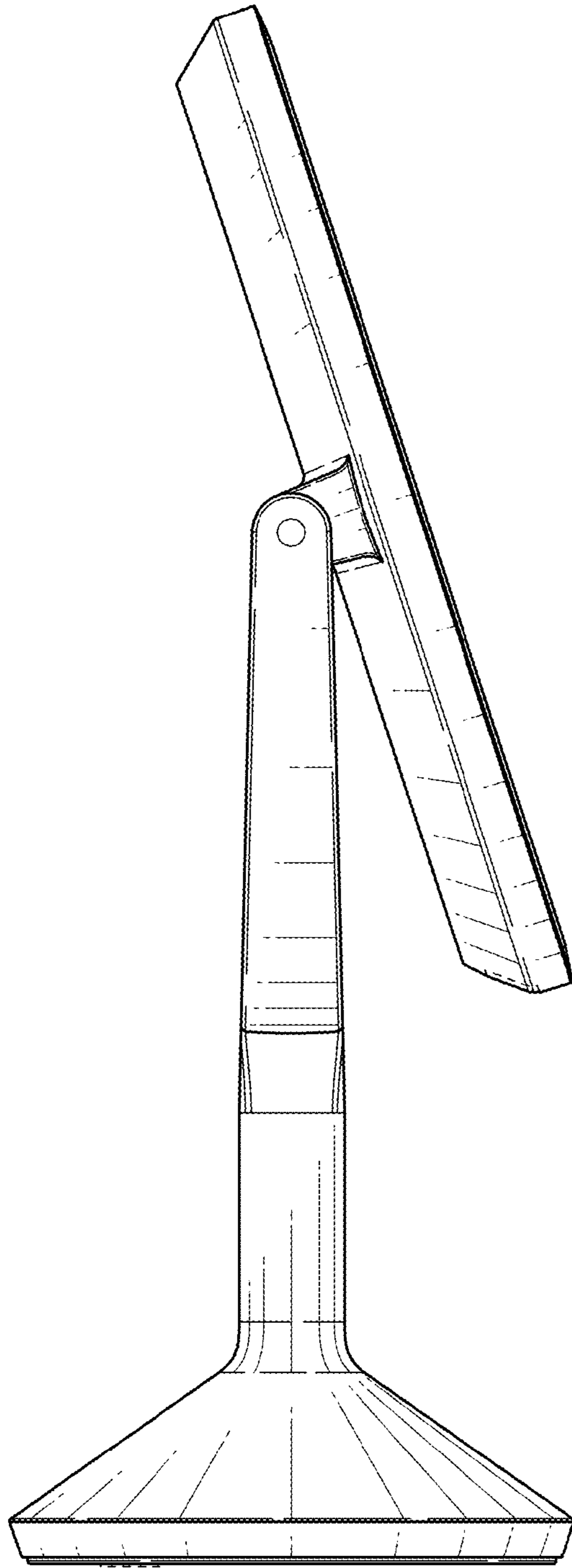


FIG. 13

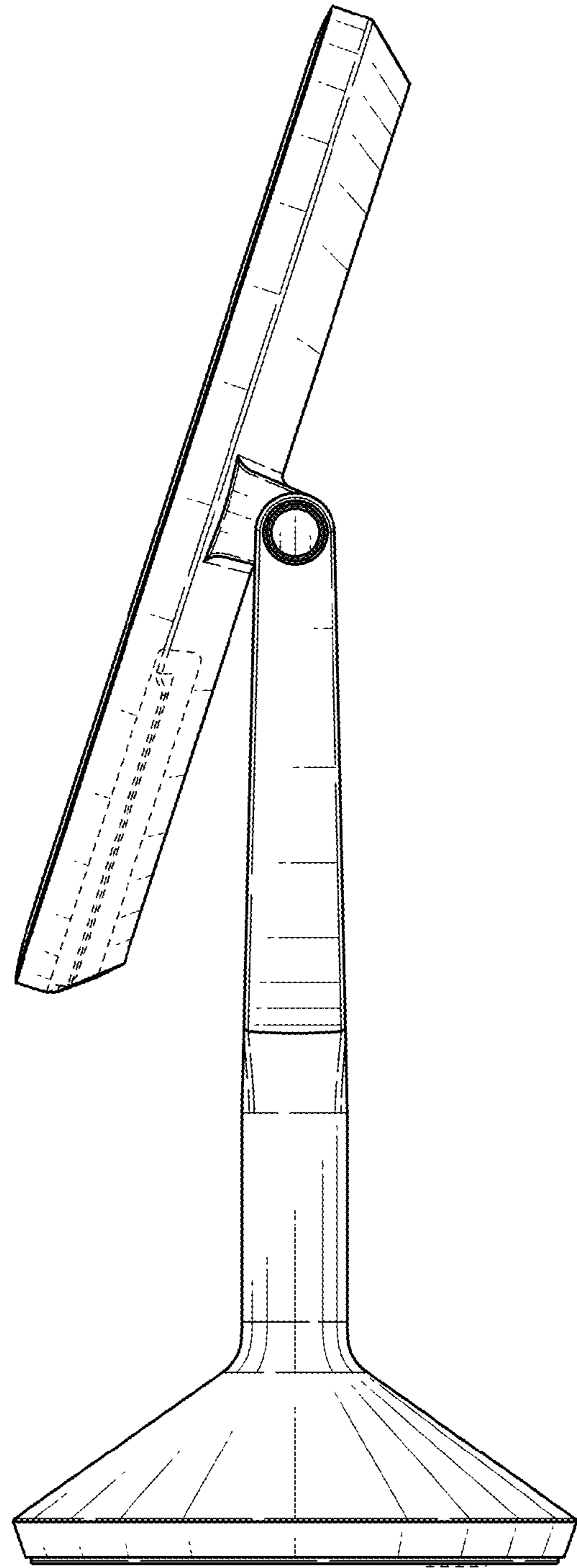


FIG. 14



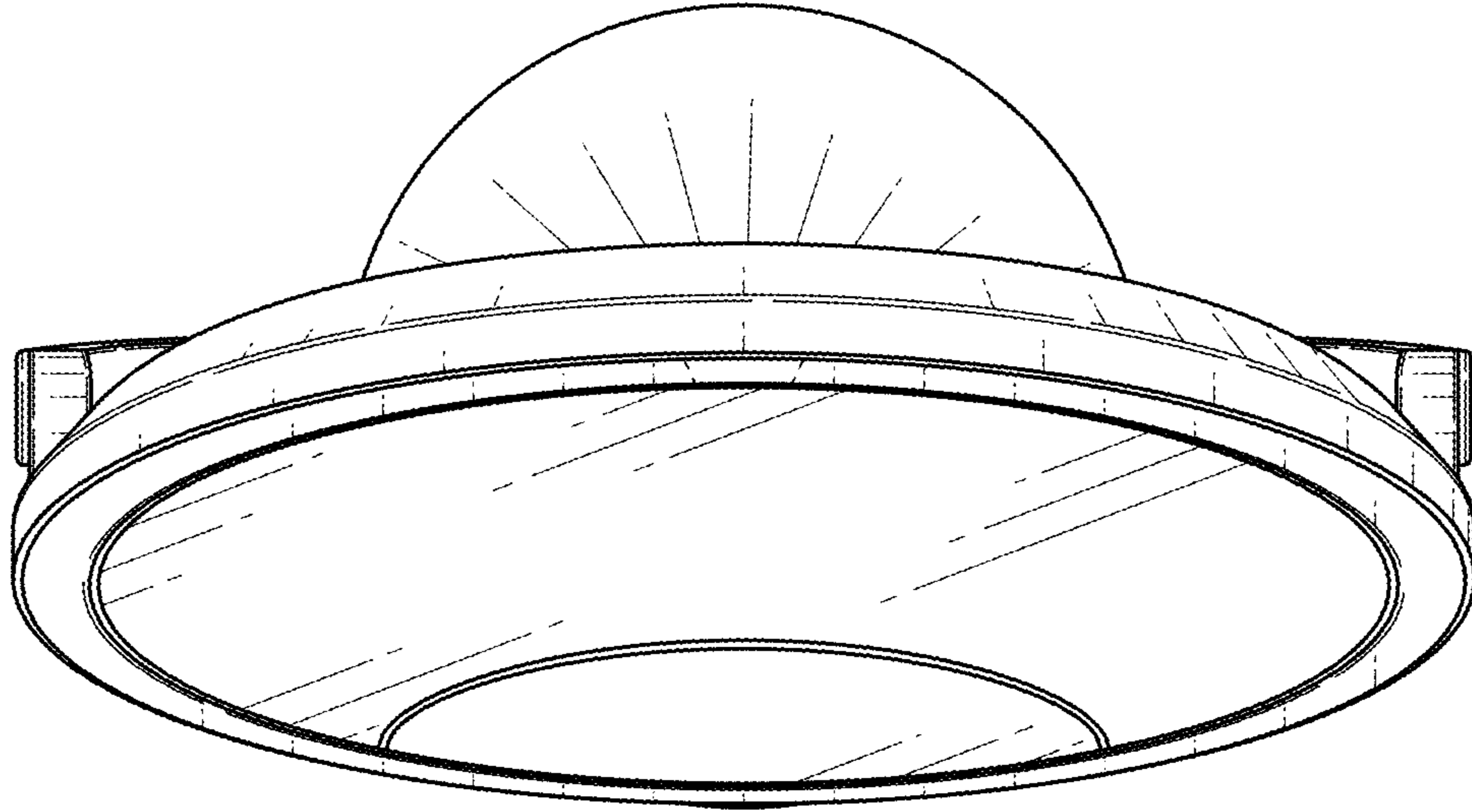


FIG. 15

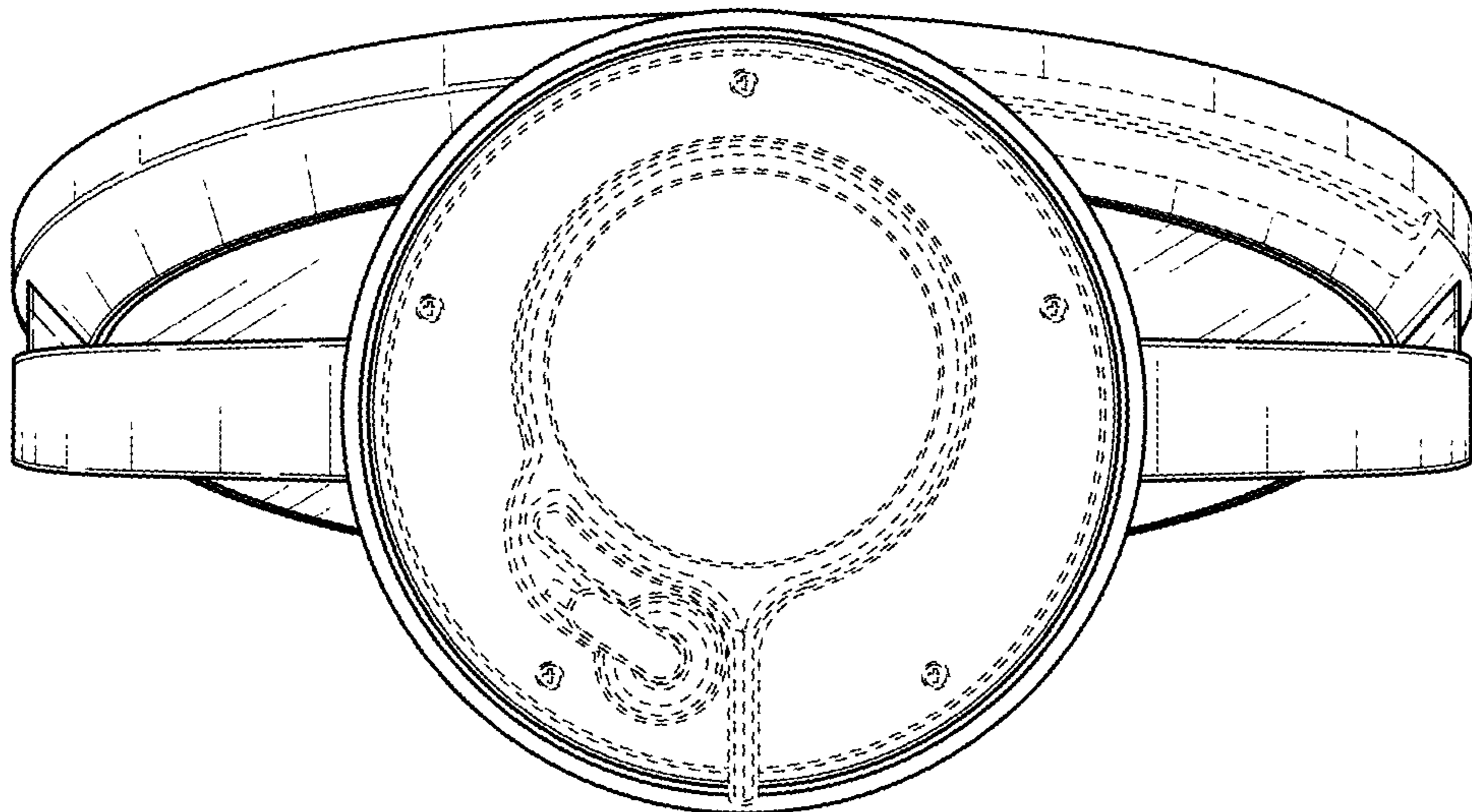


FIG. 16