



US00D925924S

(12) **United States Design Patent** (10) **Patent No.:** **US D925,924 S**  
**Kanakis** (45) **Date of Patent:** **\*\* Jul. 27, 2021**

(54) **DRY BRUSH**

FOREIGN PATENT DOCUMENTS

(71) Applicant: **MIWORLD ACCESSORIES LLC**,  
New York, NY (US)

JP D1559810 \* 10/2016

(72) Inventor: **Andrew Kanakis**, New York, NY (US)

OTHER PUBLICATIONS

(73) Assignee: **MIWORLD ACCESSORIES LLC**,  
New York, NY (US)

L3V3L Brush, announced 2021 [online], [site visited Apr. 26, 2021]. Available from internet, URL: <https://lv3.com/soft-palm-brush/> (Year : 2021).\*

(\*\*) Term: **15 Years**

Walmart Exfoliating Brush, announced Jun. 2020 [online], [site visited Apr. 26, 2021]. Available from internet, URL: <https://www.walmart.com/ip/Beauty-Earth-Dry-Brushing-Body-Brush-Round-Exfoliating-Brush-Cellulite-Lymphatic-Drainage-Massager-Scrubber-Before-Shower-1-Pack/311334101> (Year: 2020).\*

(21) Appl. No.: **29/727,643**

(22) Filed: **Mar. 12, 2020**

\* cited by examiner

(51) **LOC (13) Cl.** ..... **04-99**

(52) **U.S. Cl.**  
USPC ..... **D4/128**

(58) **Field of Classification Search**  
USPC ..... D4/117-138; D30/158, 159; D24/214,  
D24/215  
CPC .... A46B 3/00; A46B 3/20; A46B 3/22; A46B  
5/00; A46B 5/02; A46B 5/021; A46B  
5/026; A47K 7/043; A61H 7/00; A61H  
7/003  
See application file for complete search history.

*Primary Examiner* — George A Bugg  
*Assistant Examiner* — Tamara L Hahn

(74) *Attorney, Agent, or Firm* — Notaro, Michalos &  
Zaccaria P.C.

(57) **CLAIM**

The ornamental design for a dry brush, as shown and described.

(56) **References Cited**

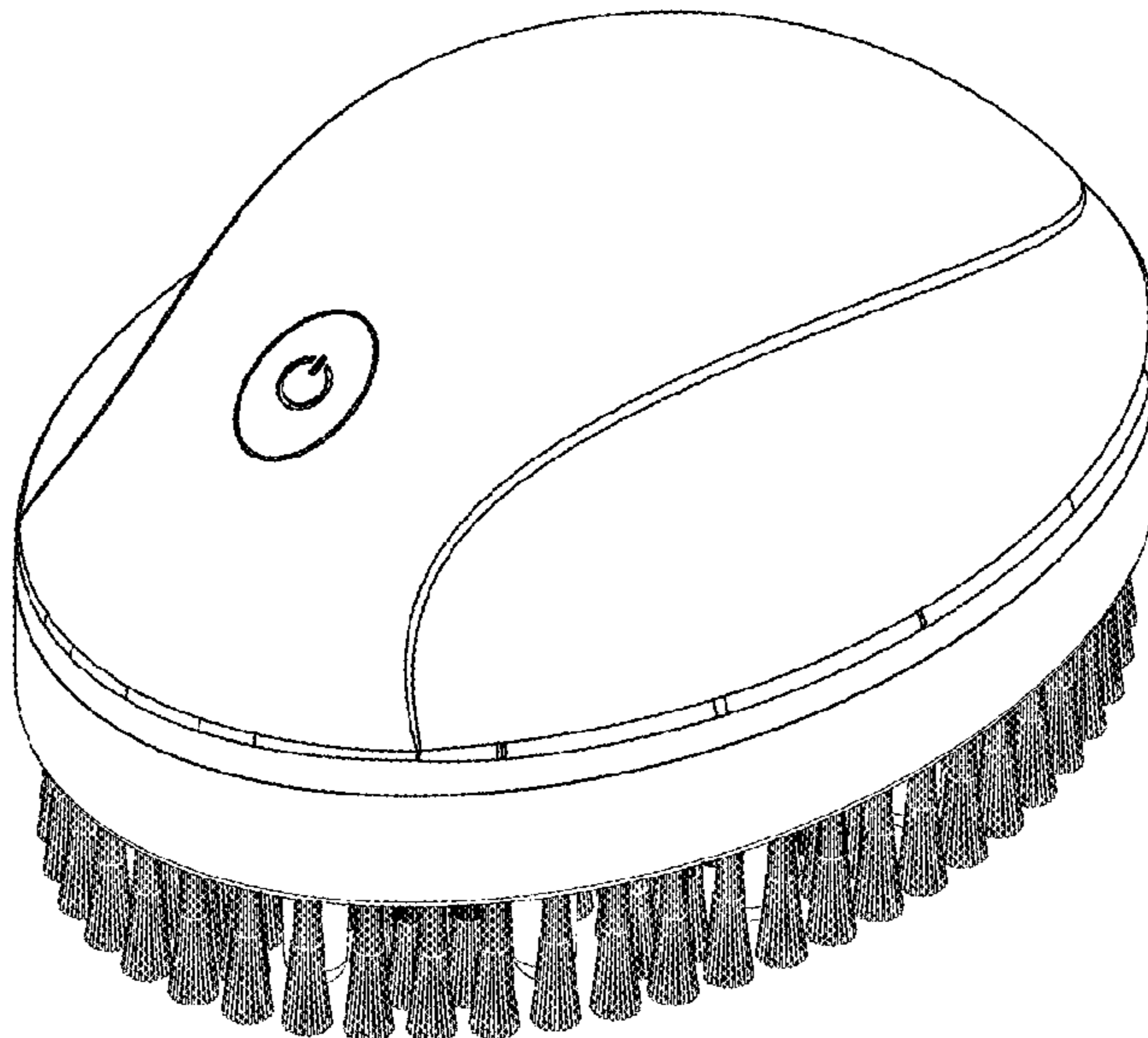
**DESCRIPTION**

U.S. PATENT DOCUMENTS

D285,131 S *	8/1986	Wilkeson	.....	D30/158
D589,257 S *	3/2009	Van Wambeke	.....	D4/102
D632,087 S *	2/2011	Wang	.....	D4/129
D715,556 S *	10/2014	Brewer	.....	D4/102
D724,752 S *	3/2015	Huang	.....	D24/215
9,049,973 B1 *	6/2015	Arrieta	.....	A46B 5/021
D853,576 S *	7/2019	Ma	.....	D24/215
D889,133 S *	7/2020	Rybacek	.....	D4/116
D889,850 S *	7/2020	Rybacek	.....	D4/116
D903,955 S *	12/2020	Singer	.....	D30/159
2014/0309662 A1 *	10/2014	Brewer	.....	A46B 9/028 606/131
2019/0313762 A1 *	10/2019	Maor	.....	A45D 24/32

FIG. 1 is a front, top, left perspective view of a dry brush showing my new design;  
FIG. 2 is a front elevational view thereof;  
FIG. 3 is a right side elevational view thereof;  
FIG. 4 is a left side elevational view thereof;  
FIG. 5 is a top plan view thereof;  
FIG. 6 is a bottom plan view thereof;  
FIG. 7 is a rear elevational view thereof;  
FIG. 8 is a rear, top, right perspective view thereof; and,  
FIG. 9 is a rear, bottom, right perspective view thereof.

**1 Claim, 3 Drawing Sheets**



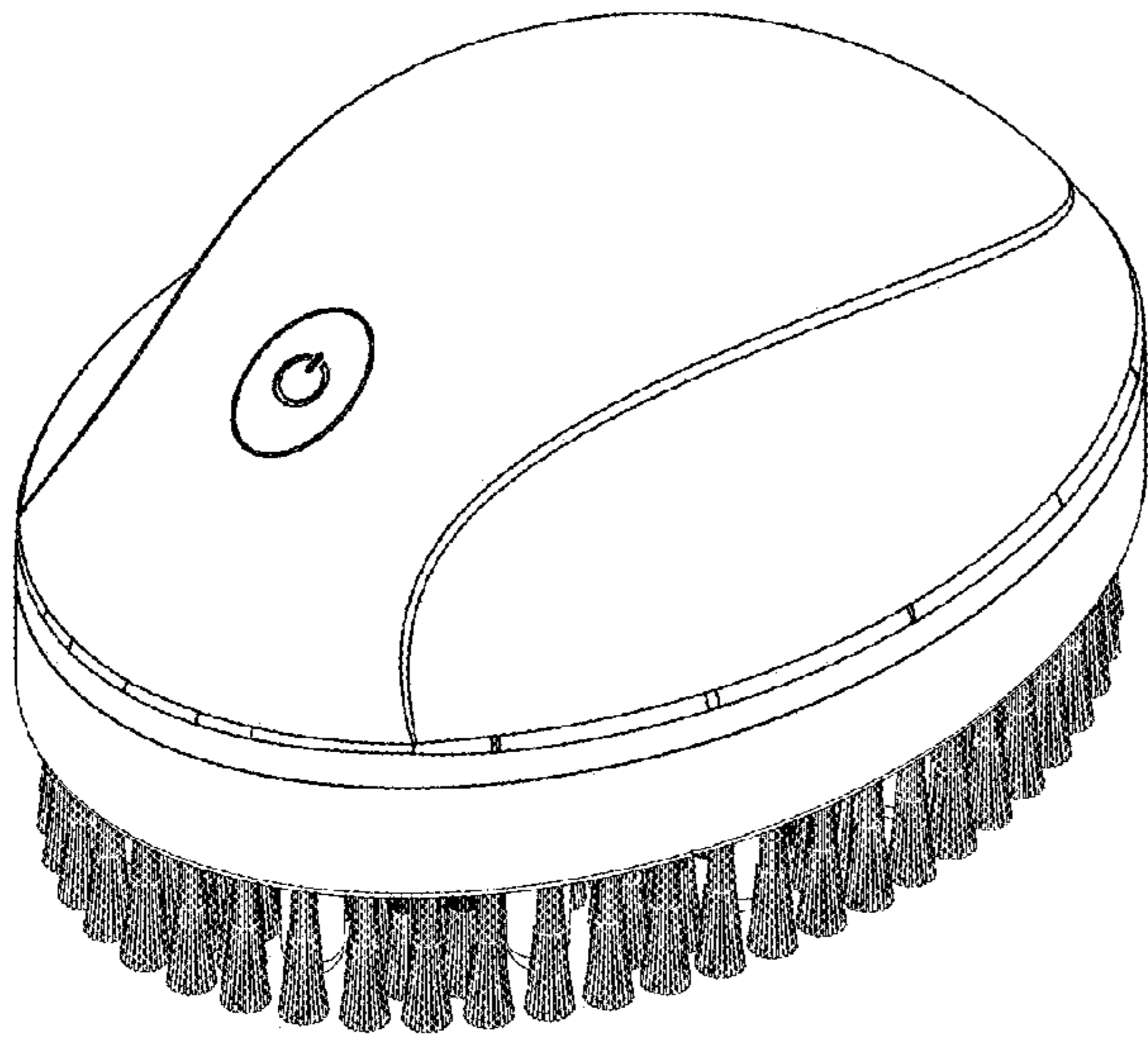


FIG. 1

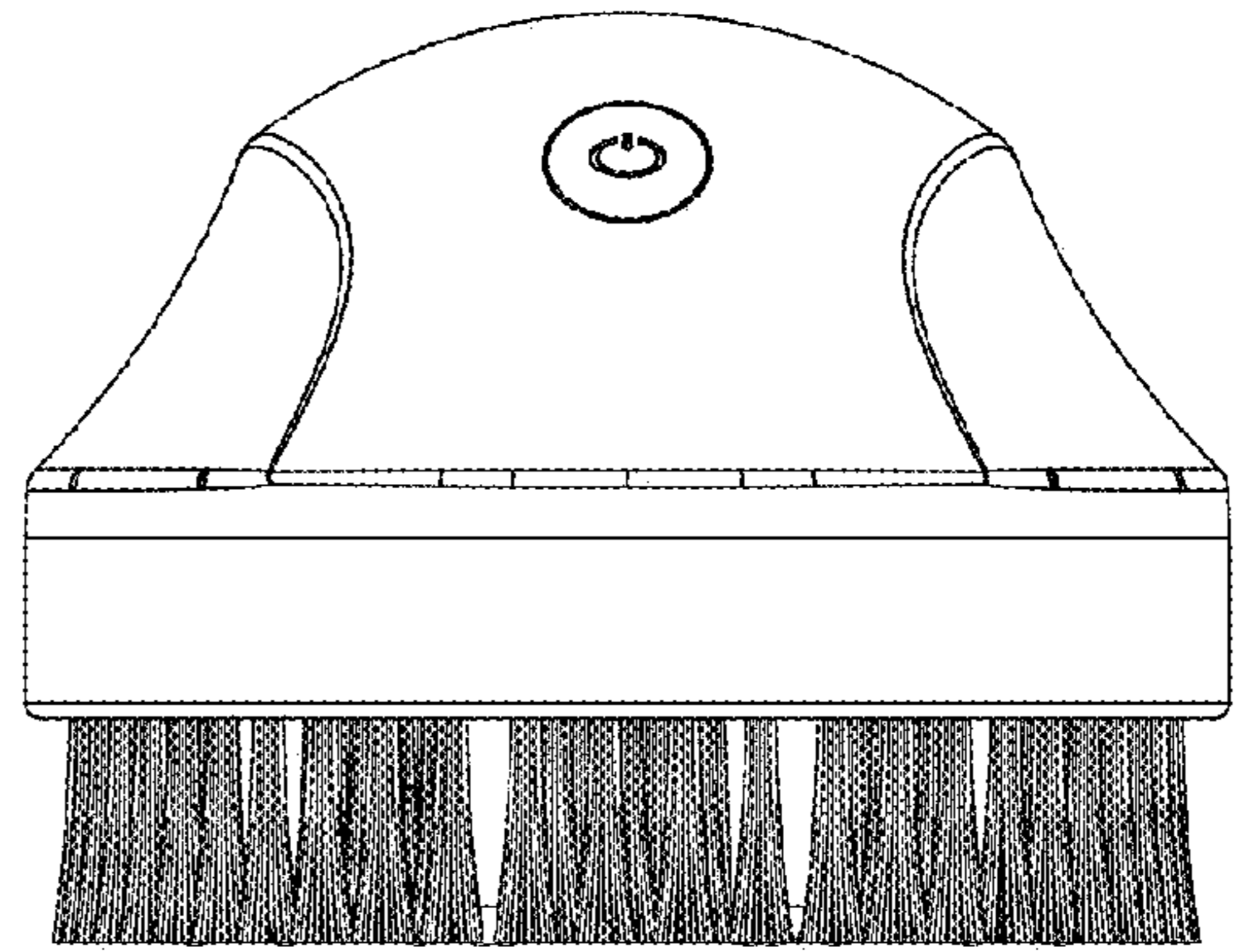


FIG. 2

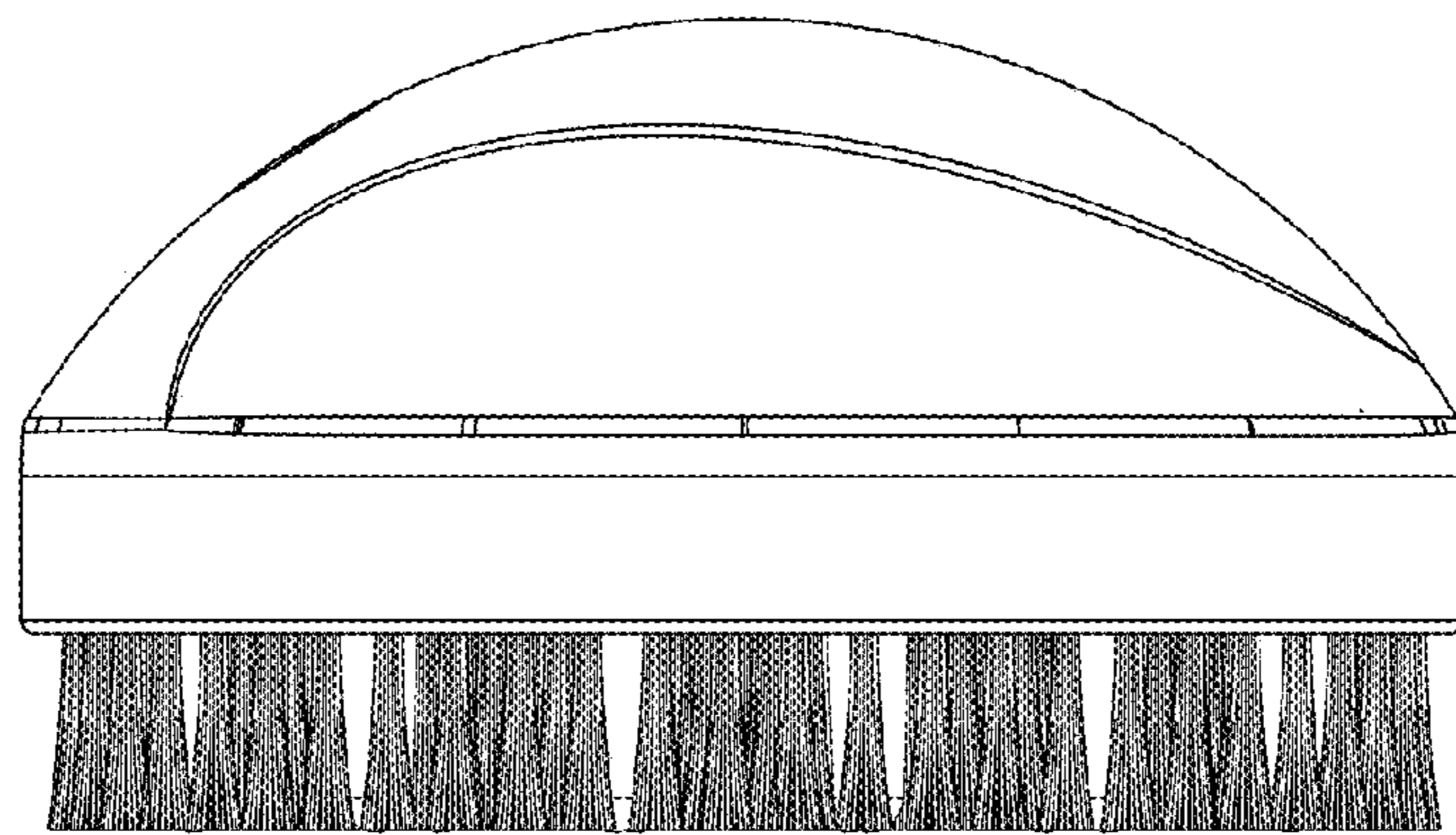


FIG. 3

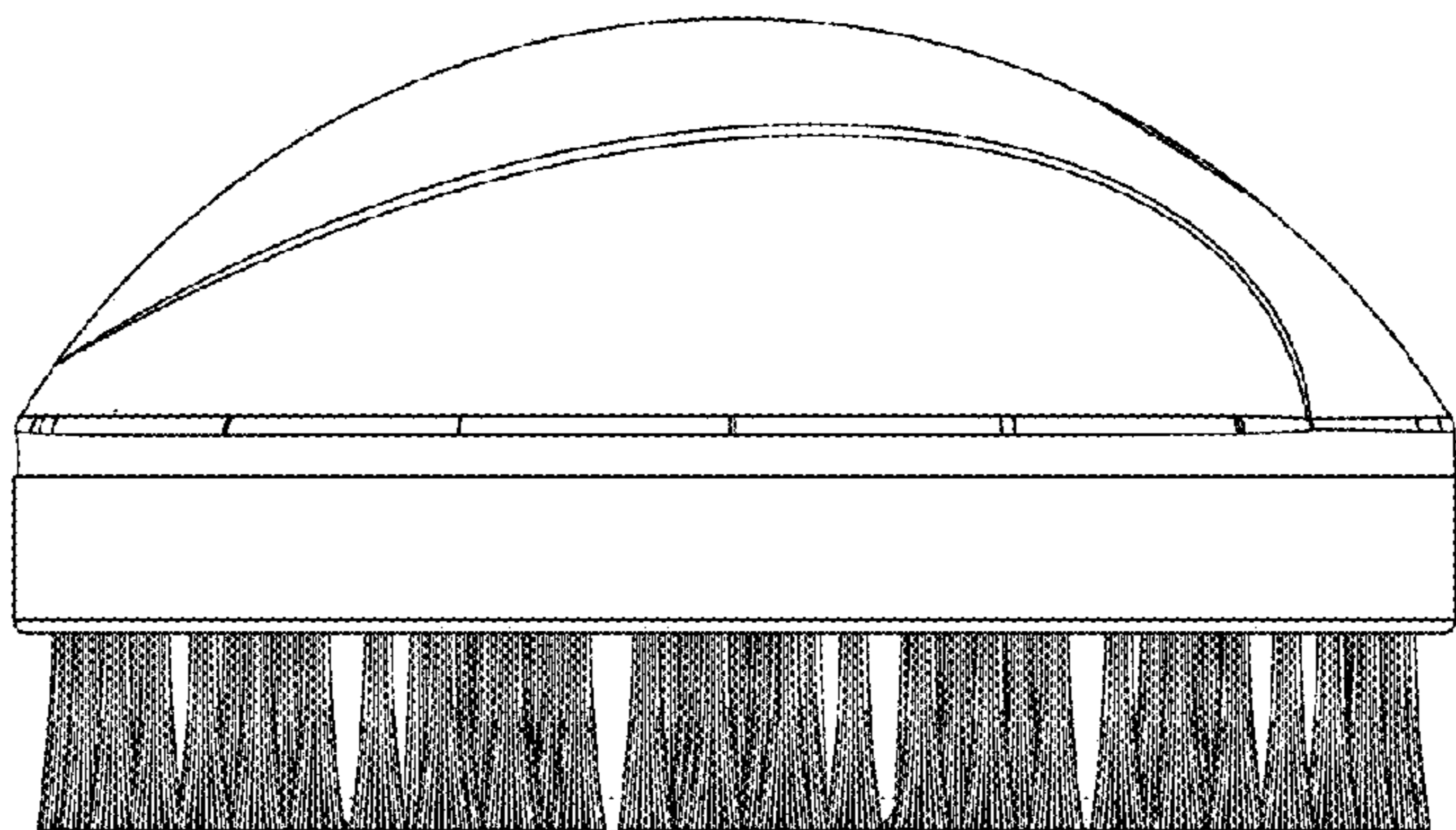


FIG. 4

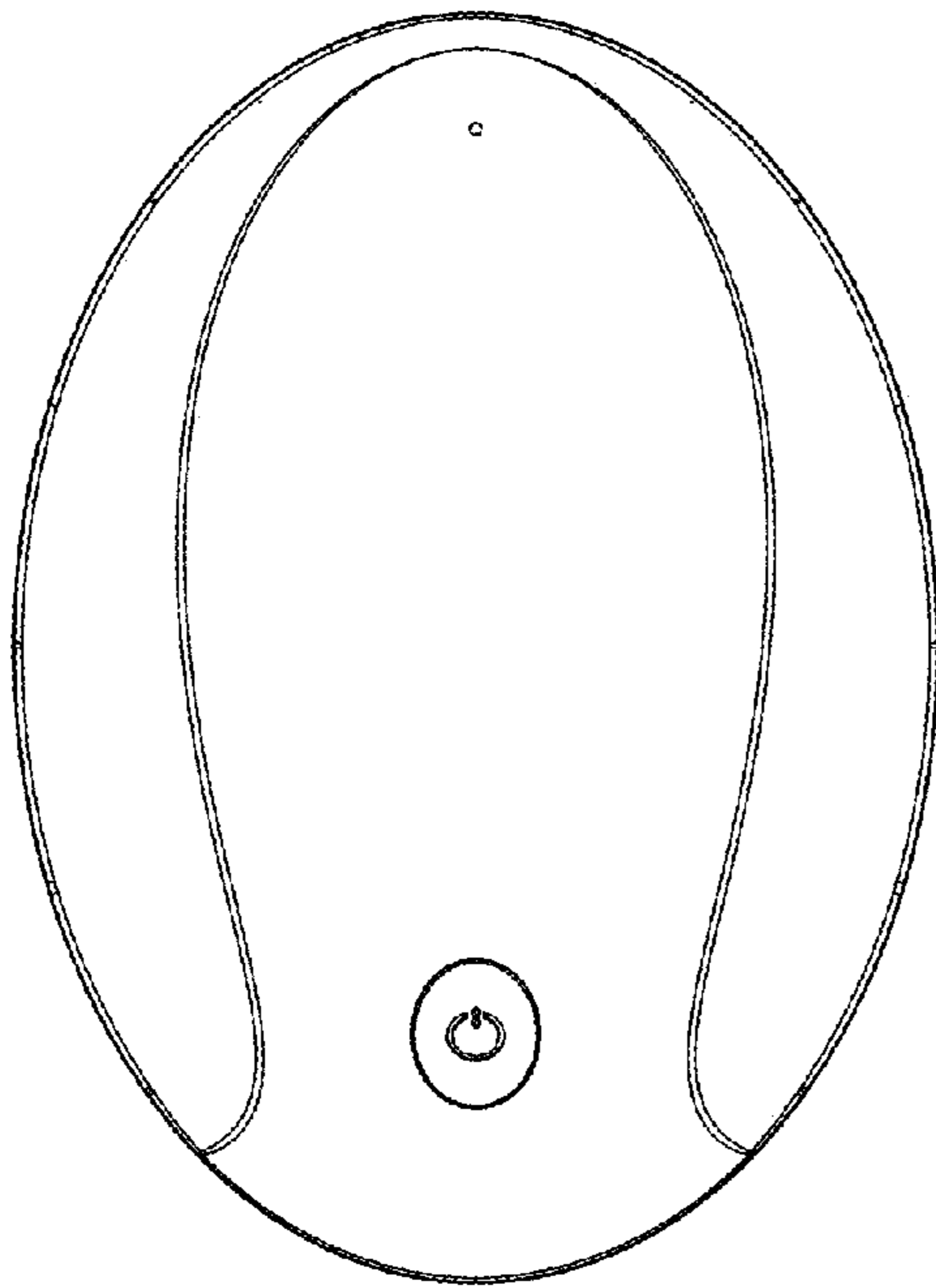


FIG. 5

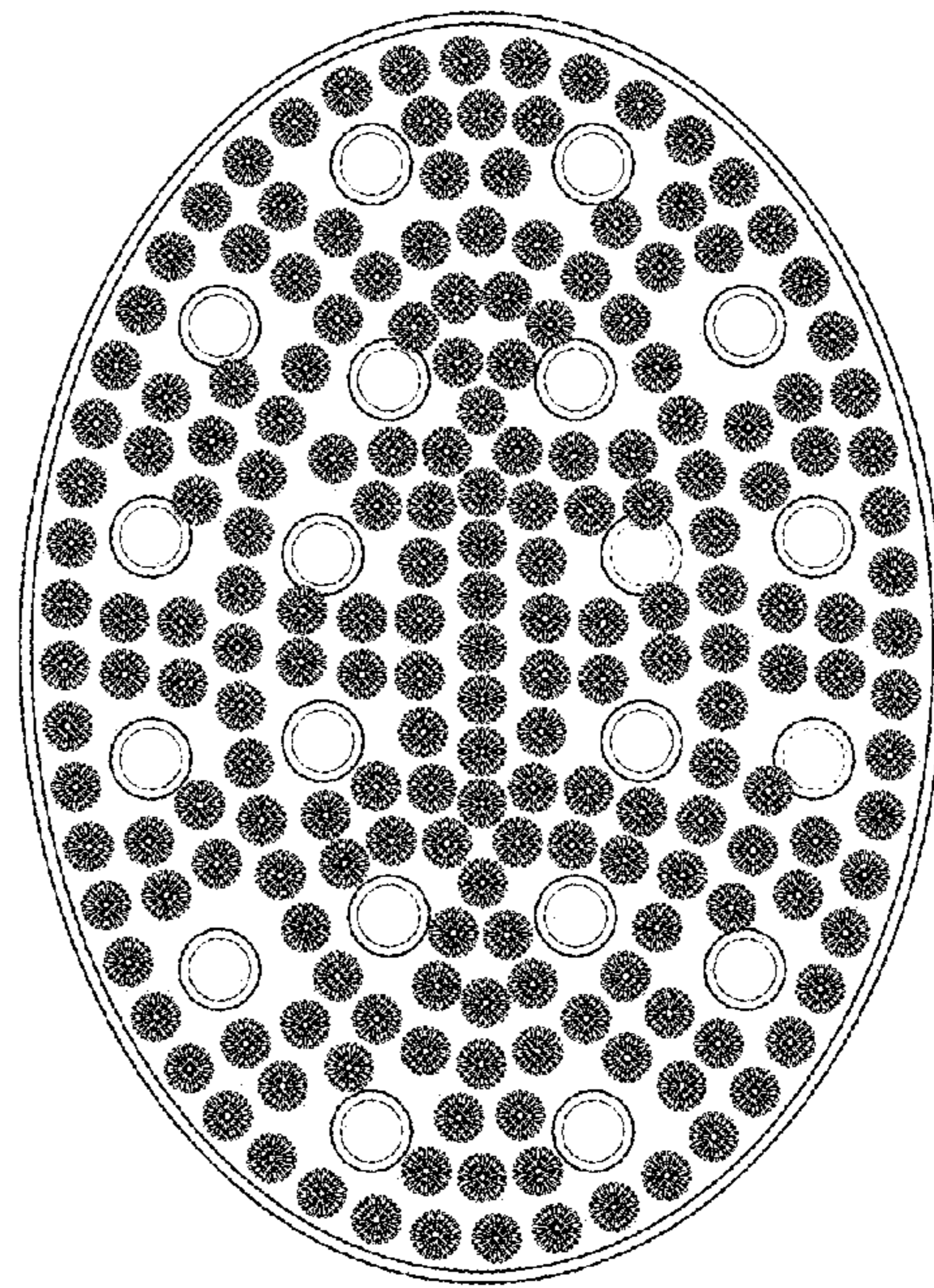


FIG. 6

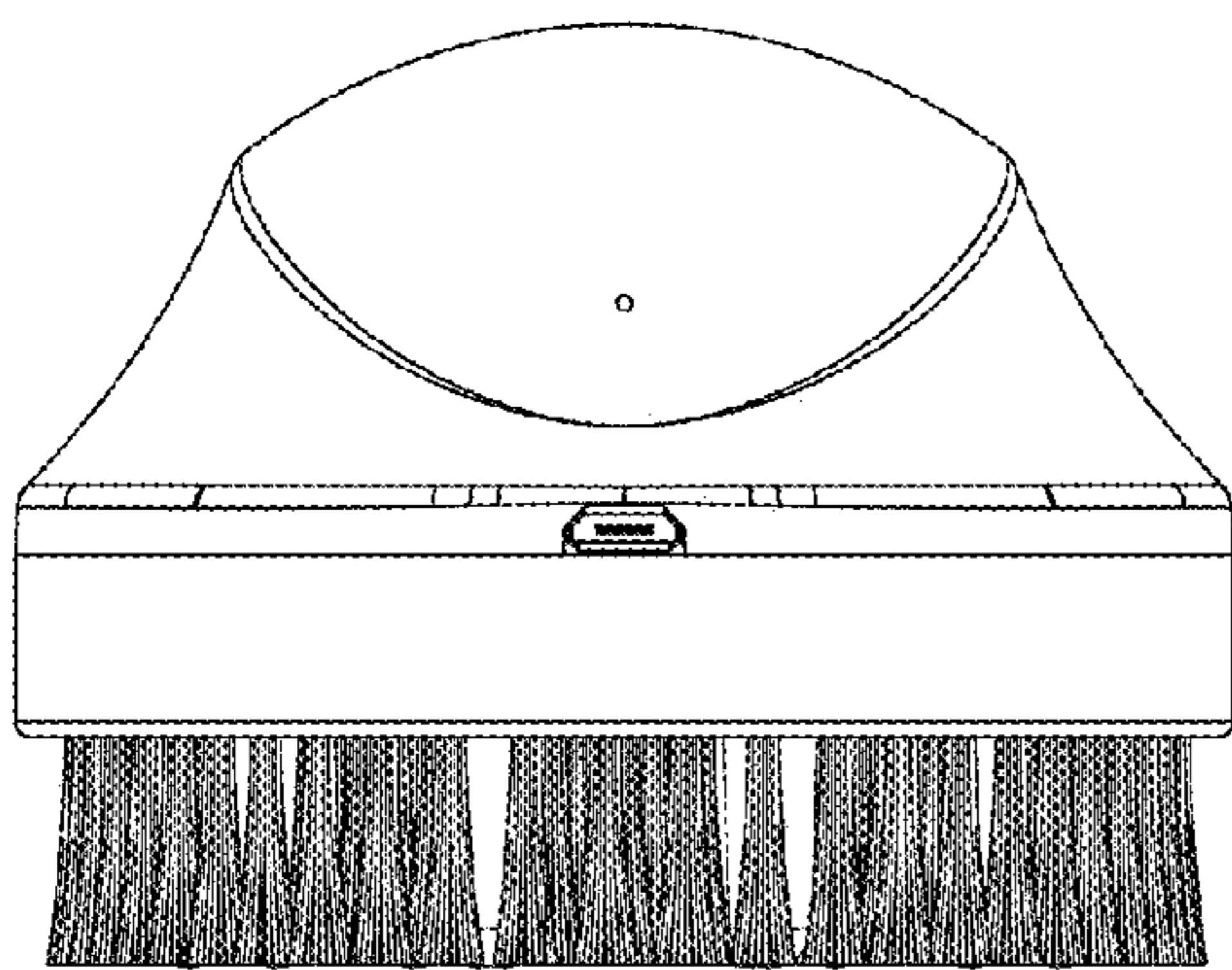


FIG. 7

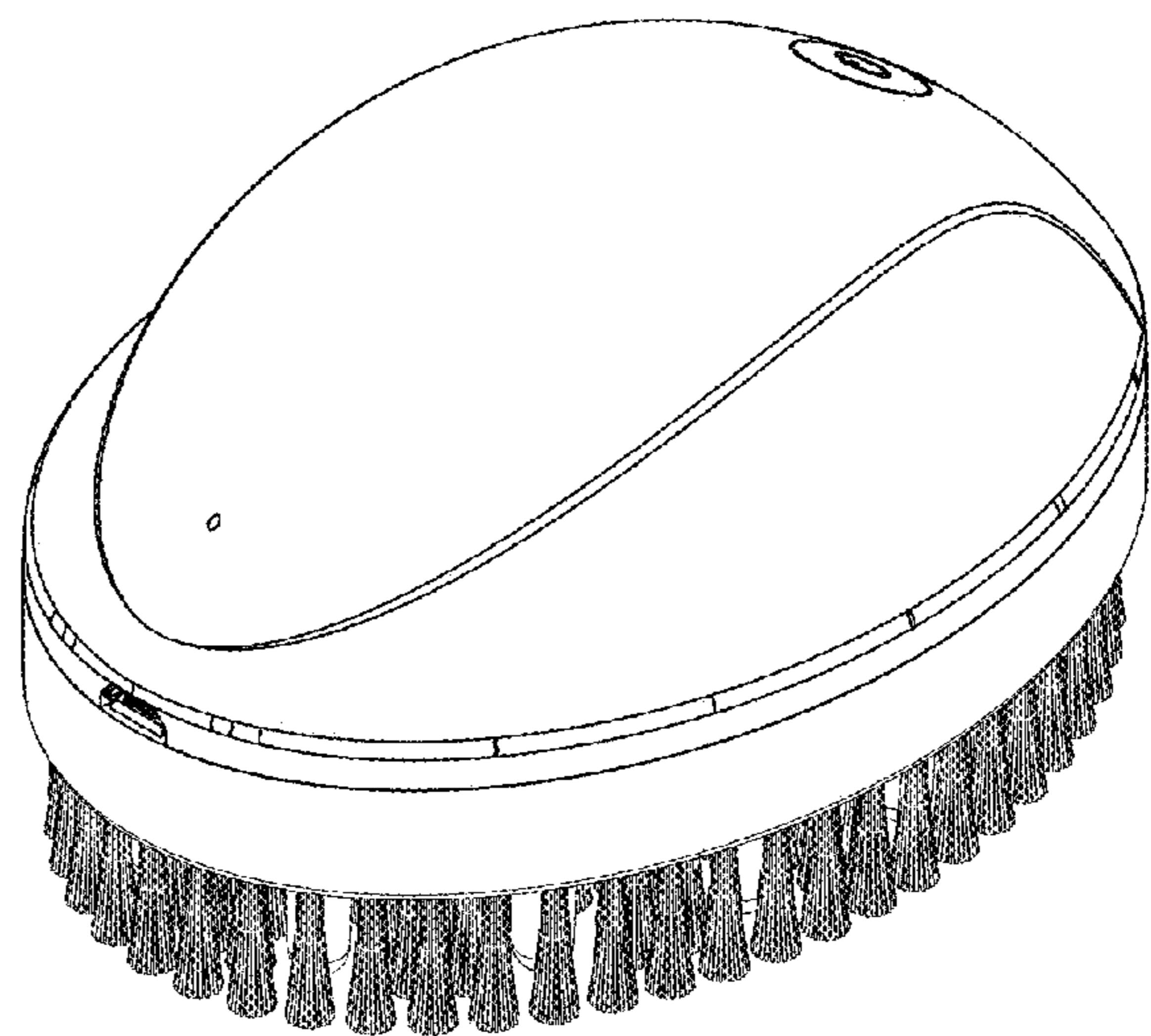


FIG. 8

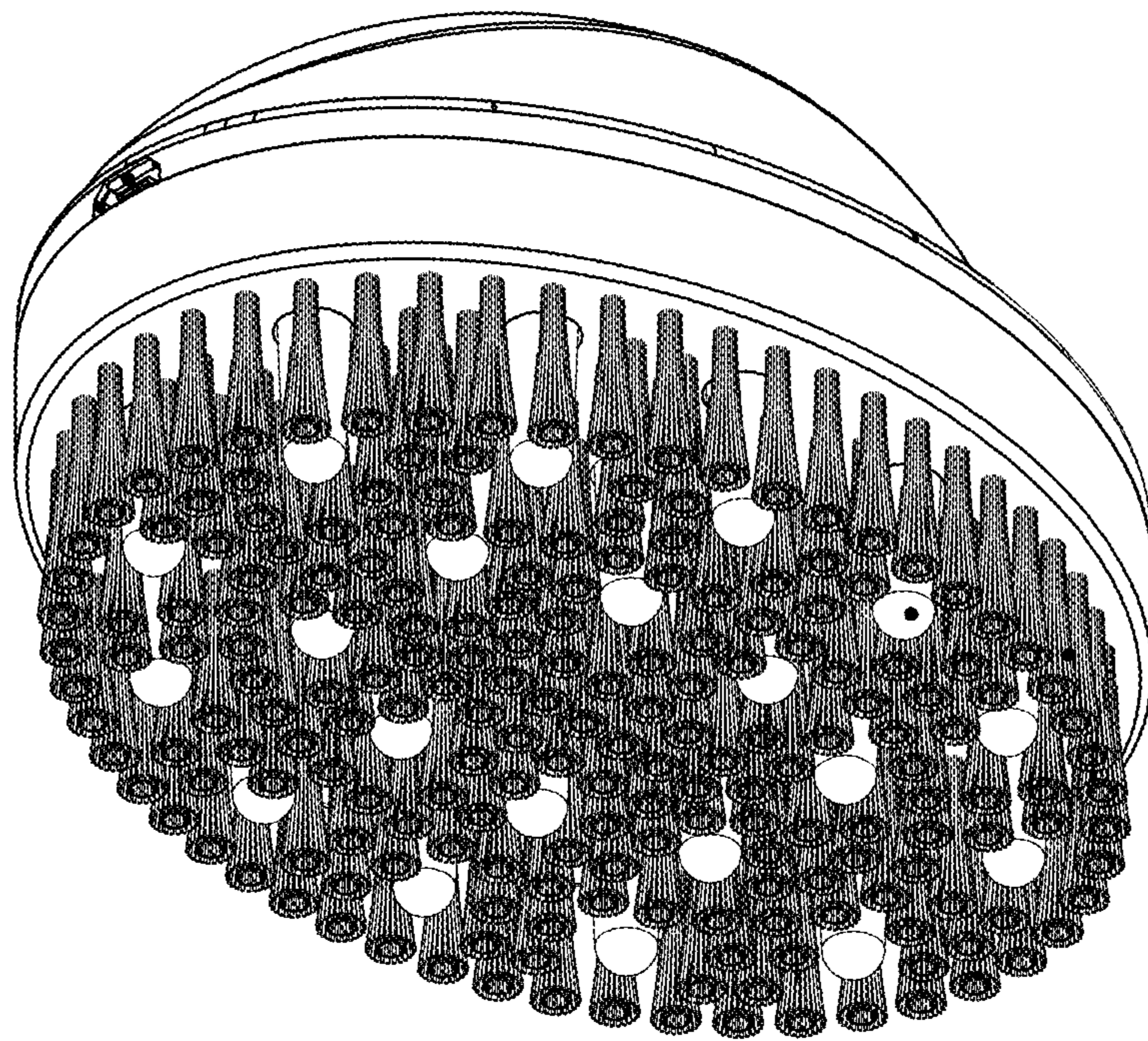


FIG. 9