



US00D925923S

(12) **United States Design Patent** (10) **Patent No.:** **US D925,923 S**
Bixby et al. (45) **Date of Patent:** **** Jul. 27, 2021**

- (54) **DISPENSING BRUSH**
- (71) Applicant: **WHIRLPOOL CORPORATION**,
Benton Harbor, MI (US)
- (72) Inventors: **Seth E. Bixby**, Stevensville, MI (US);
Marcus A. Cannon, St. Joseph, MI (US);
Sayer J. Murphy, St. Joseph, MI (US);
Jun Young Park, St. Joseph, MI (US);
Joel R. Shinaberry, St. Joseph, MI (US)
- (73) Assignee: **Whirlpool Corporation**, Benton Harbor, MI (US)
- (**) Term: **15 Years**
- (21) Appl. No.: **29/762,539**
- (22) Filed: **Dec. 17, 2020**

- D201,428 S 6/1965 Kellis
 - D207,253 S * 3/1967 Tucker D4/114
 - 3,387,313 A 6/1968 Smith et al.
 - 3,490,254 A 1/1970 Mason
 - 3,968,789 A 7/1976 Simoncini
 - D282,318 S * 1/1986 Herzfeld D4/104
- (Continued)

FOREIGN PATENT DOCUMENTS

- EP 1508284 A1 2/2005
 - WO 0216686 A1 2/2002
- (Continued)

OTHER PUBLICATIONS

“Whirlpool—Pretreat Brush for Laundry—Gray” found by RMS on Mar. 22, 2021 on the internet at: <https://www.bestbuy.com/site/whirlpool-pretreat-brush-for-laundry-gray/6427163.p?skuId=6427163>.*

(Continued)

Related U.S. Application Data

- (62) Division of application No. 29/660,260, filed on Aug. 20, 2018, now Pat. No. Des. 909,066.
- (51) **LOC (13) Cl.** **04-01**
- (52) **U.S. Cl.**
USPC **D4/114**
- (58) **Field of Classification Search**
USPC D4/114, 127, 130, 134, 129, 102;
D32/25; D30/158
CPC A46B 5/0054; A46B 5/02; A47K 11/10;
A47L 13/17; C11D 17/041
See application file for complete search history.

Primary Examiner — Rhea Shields
(74) *Attorney, Agent, or Firm* — Price Heneveld LLP

(57) **CLAIM**

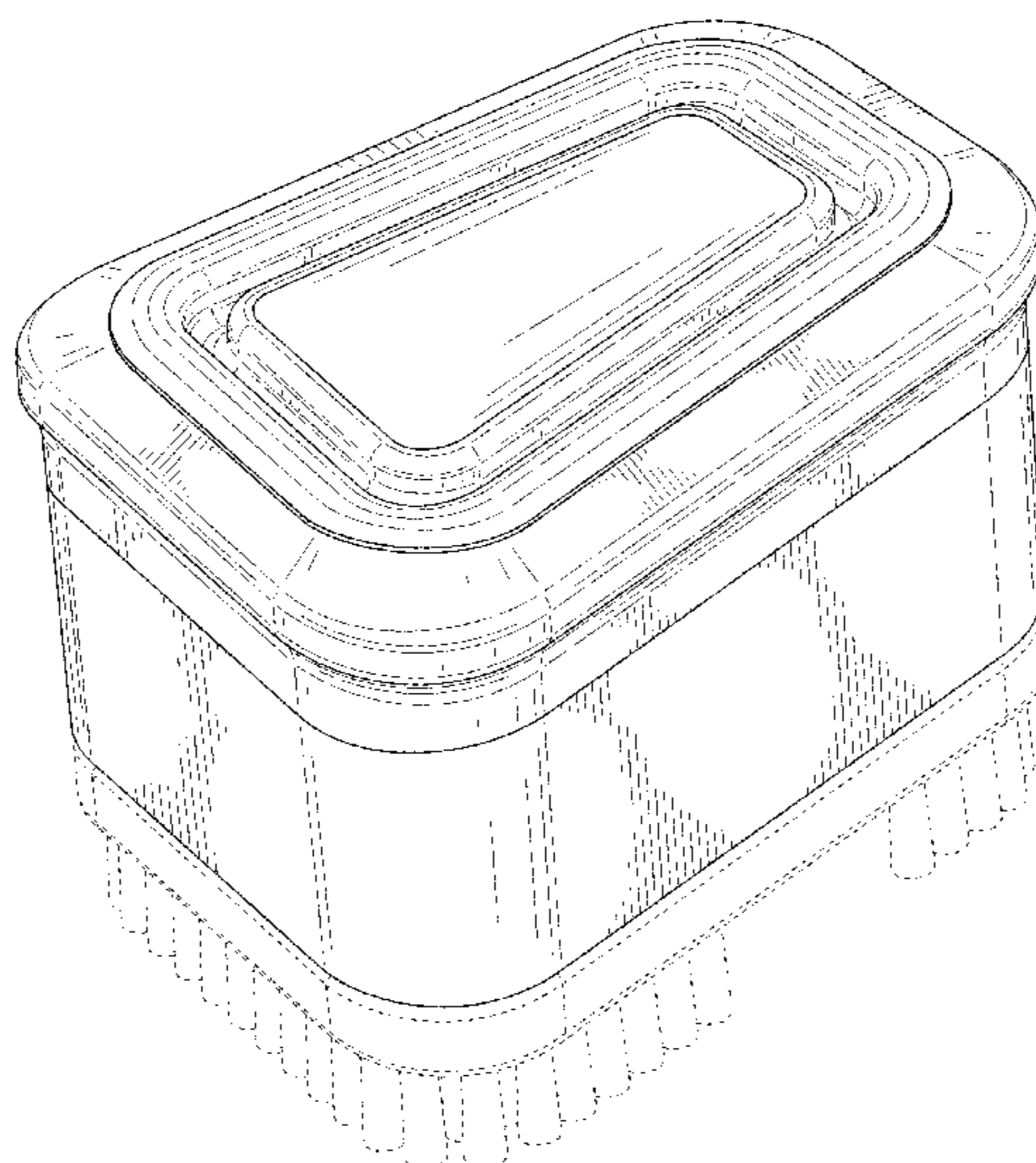
The ornamental design for a dispensing brush, as shown and described.

DESCRIPTION

FIG. 1 is a front perspective view of a dispensing brush according to the design;
FIG. 2 is a bottom perspective view thereof;
FIG. 3 is a front elevation view thereof;
FIG. 4 is a back elevation view thereof;
FIG. 5 is a right side elevation view thereof;
FIG. 6 is a left side view thereof;
FIG. 7 is a top plan view thereof; and,
FIG. 8 is a bottom plan view thereof.
The portions of the article shown in broken line form no part of the claimed design.

- (56) **References Cited**
U.S. PATENT DOCUMENTS
2,546,291 A * 3/1951 Baumgartner A46B 5/02
15/143.1
2,764,773 A * 10/1956 Wise A47K 11/10
15/188
D196,707 S 10/1963 Anderson

1 Claim, 8 Drawing Sheets



(56)

References Cited

U.S. PATENT DOCUMENTS

D285,130 S * 8/1986 Wilkeson D30/158
 D295,118 S * 4/1988 Valenza D4/114
 4,903,365 A 2/1990 Kaufman
 D324,777 S 3/1992 Vangen
 D328,374 S 7/1992 Goin
 D351,066 S 10/1994 Libman
 D387,563 S 12/1997 Koptis
 D387,704 S 12/1997 Berti
 D420,516 S 2/2000 Schoeneweis et al.
 6,210,064 B1 4/2001 White et al.
 6,353,954 B1 3/2002 Dunsbergen et al.
 D493,287 S * 7/2004 Hay D4/130
 7,246,573 B2 7/2007 Dunn et al.
 D553,816 S 10/2007 Lambert
 D577,871 S 9/2008 Caserta et al.
 D601,348 S 10/2009 Choi
 D657,957 S * 4/2012 Camp D4/199
 D689,700 S 9/2013 Lee et al.
 D703,825 S 4/2014 Barrett
 D703,956 S * 5/2014 Treeby D4/116
 D711,055 S 8/2014 Singer
 D727,032 S 4/2015 Davis
 D739,659 S * 9/2015 Sun D4/114
 D764,124 S * 8/2016 Shinozaki D32/25
 9,433,191 B2 9/2016 Frye
 D811,747 S 3/2018 Powell et al.
 D824,679 S * 8/2018 Ramos D4/134
 D827,959 S 9/2018 Larouche
 D840,608 S 2/2019 Snead, Sr.

D844,334 S 4/2019 Lee
 D844,920 S * 4/2019 Renner D32/45
 D845,001 S * 4/2019 Jack D4/130
 D853,127 S 7/2019 Kling
 D863,781 S 10/2019 Matsushita
 D868,371 S 11/2019 Huchet
 D876,842 S 3/2020 Tschopp
 D886,461 S * 6/2020 Du D4/119
 D887,149 S 6/2020 Yang
 D887,720 S * 6/2020 Kauffman D4/127
 D899,783 S * 10/2020 Jack D4/130
 D909,066 S * 2/2021 Bixby D4/114
 2003/0104962 A1 * 6/2003 Verherbrugghen .. C11D 17/041
 510/296
 2004/0265042 A1 12/2004 Chan et al.
 2015/0272308 A1 * 10/2015 Harrington A46B 5/0054
 134/6
 2016/0220088 A1 * 8/2016 Zohar A47L 13/17
 2017/0362762 A1 12/2017 Carpenter et al.

FOREIGN PATENT DOCUMENTS

WO 2005009198 A1 2/2005
 WO 2017067851 A1 4/2017

OTHER PUBLICATIONS

“Soak scrub andwash all in one spot” found by RMS on Mar. 22, 2021 found on the internet at: <https://www.bestbuy.com/site/whirlpool-pretreat-brush-for-laundry-gray/6427163.p?skuId=6427163>.*

* cited by examiner

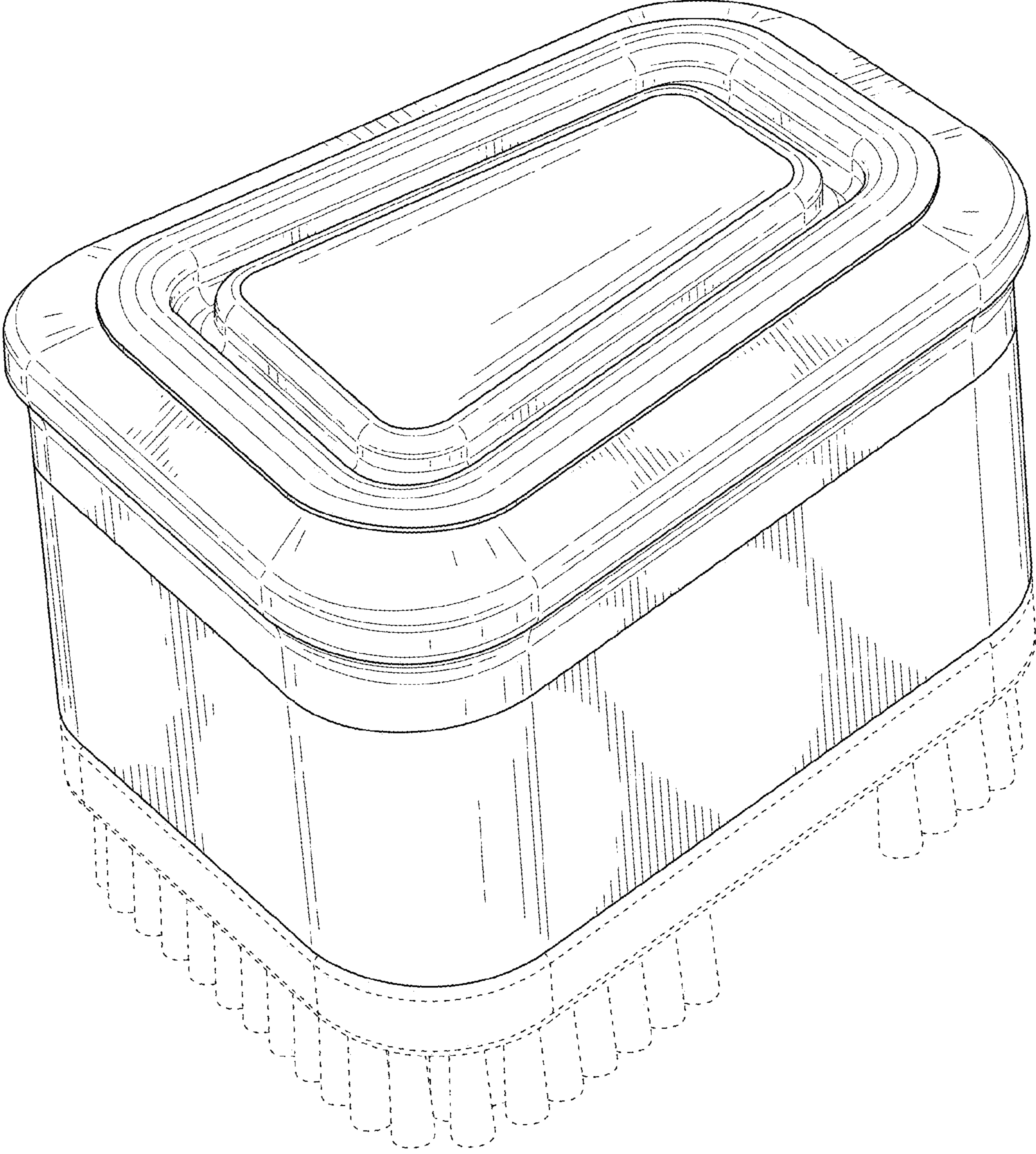


FIG. 1

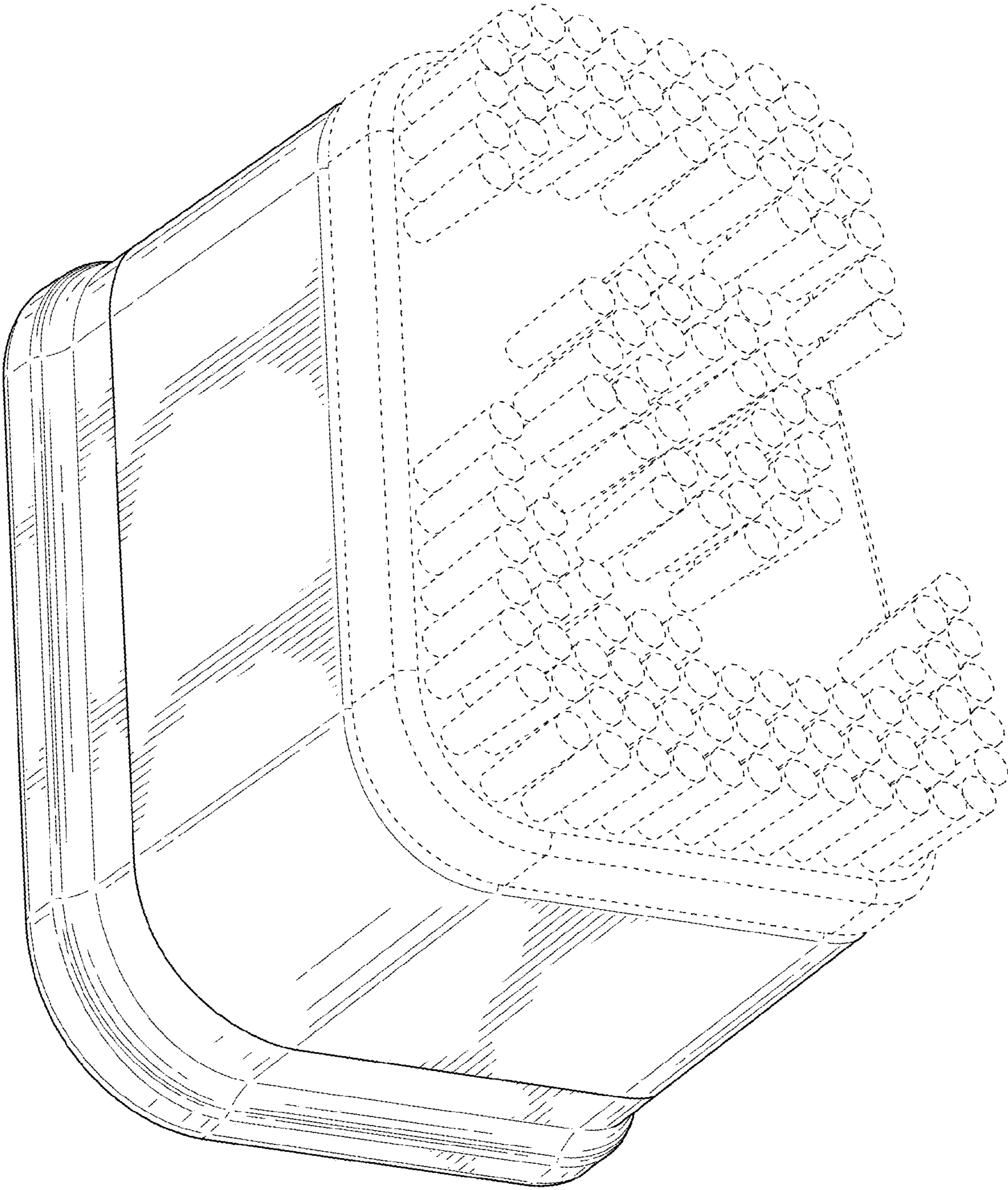


FIG. 2

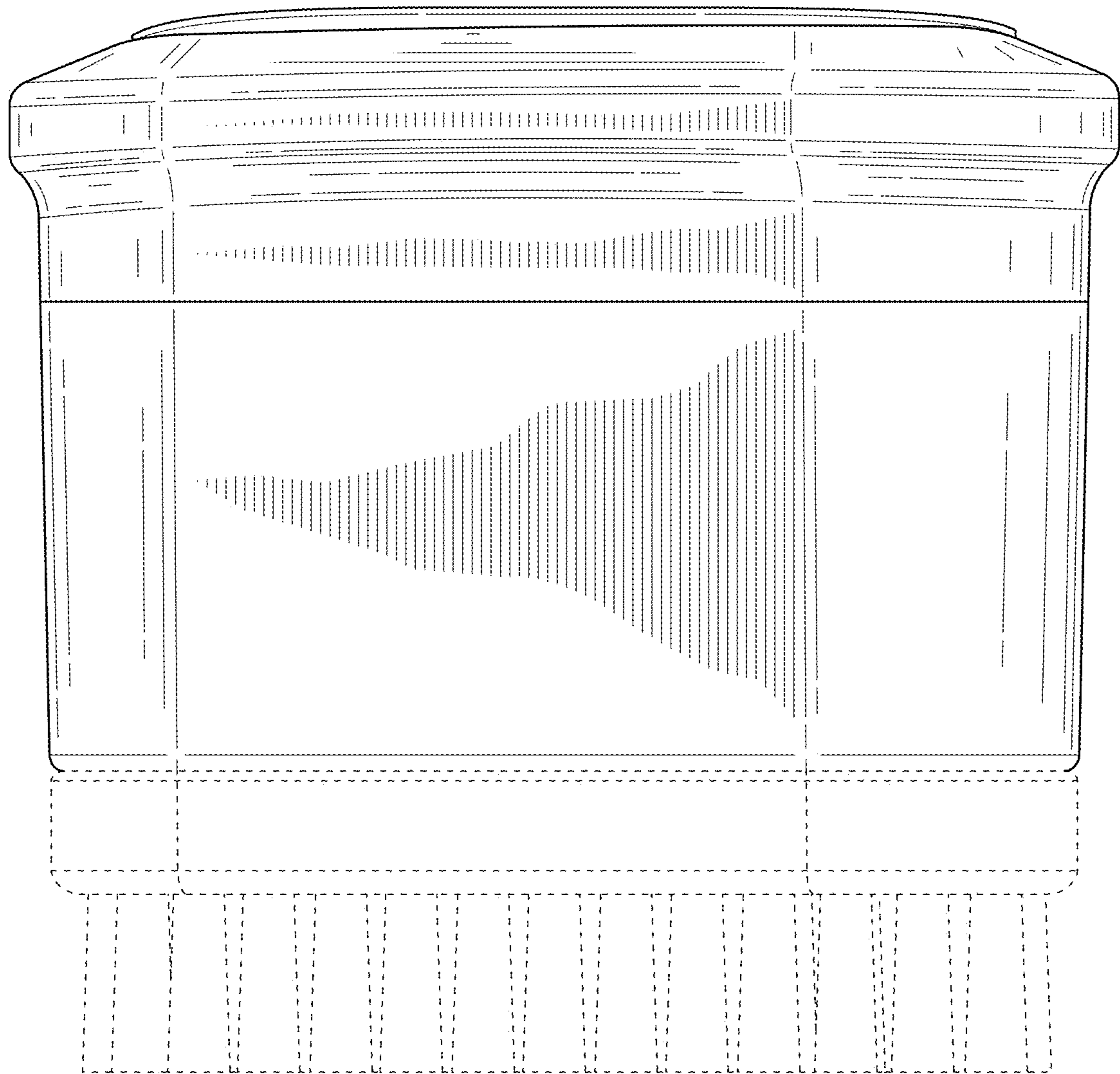


FIG. 3

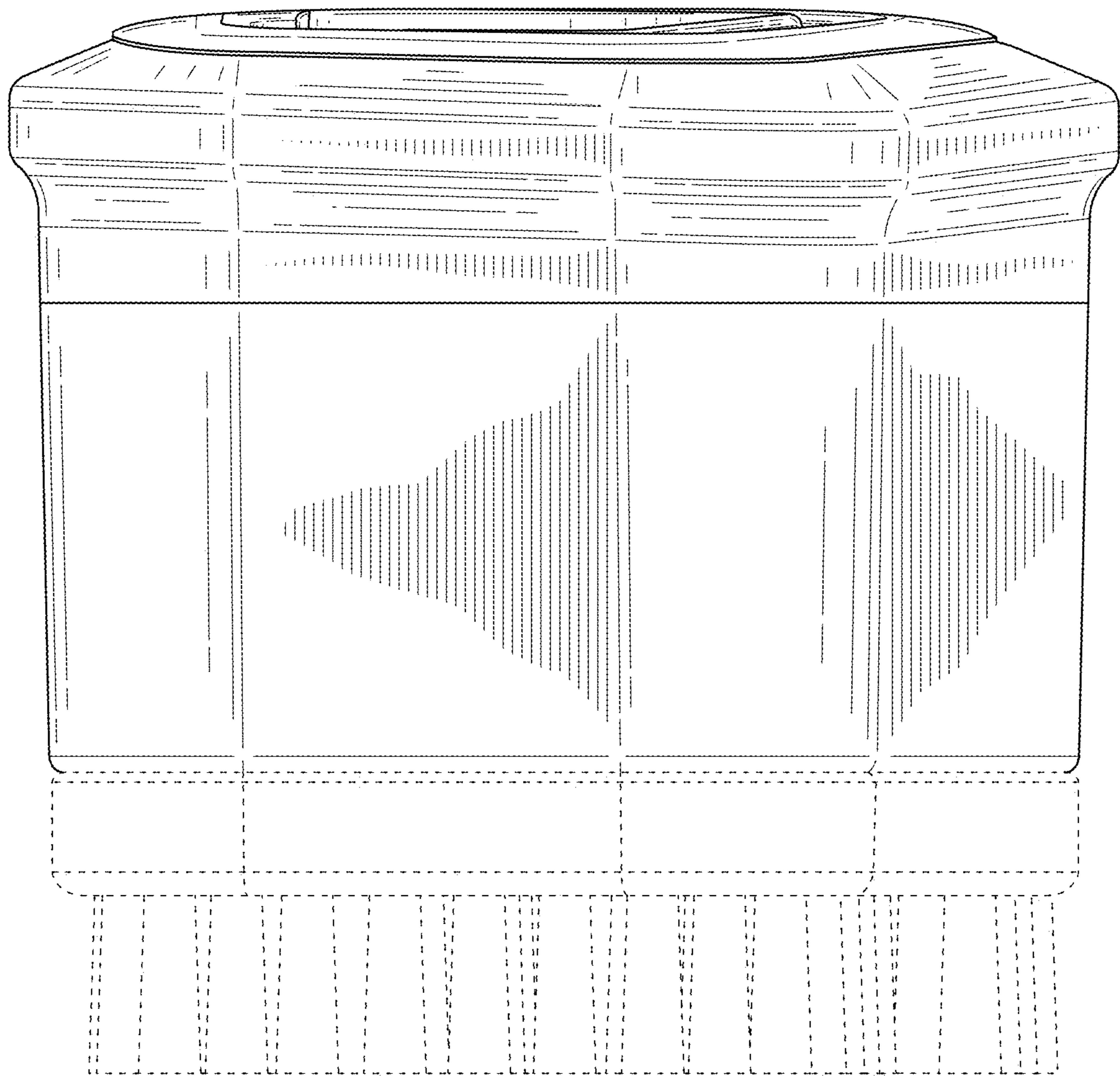


FIG. 4

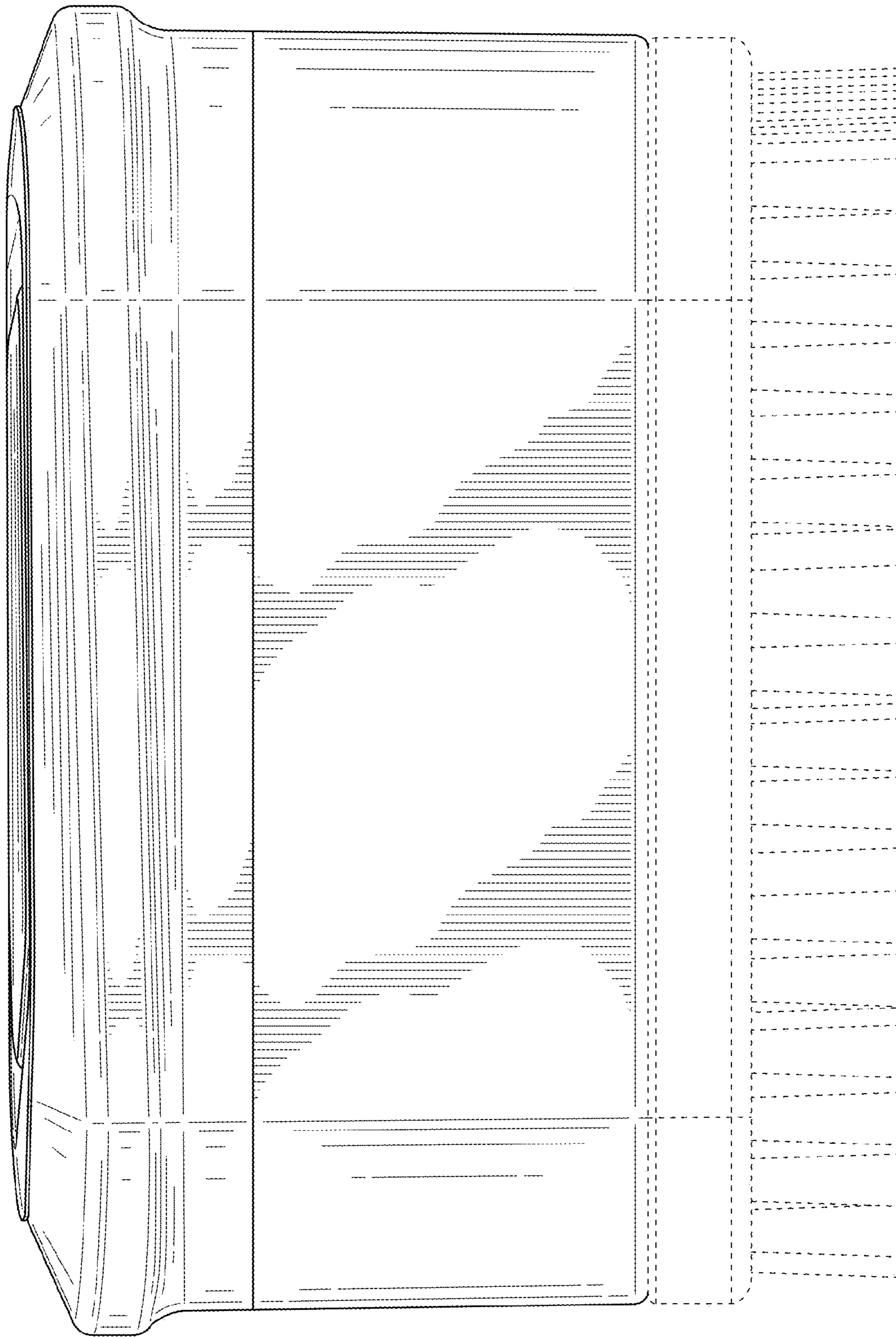


FIG. 5

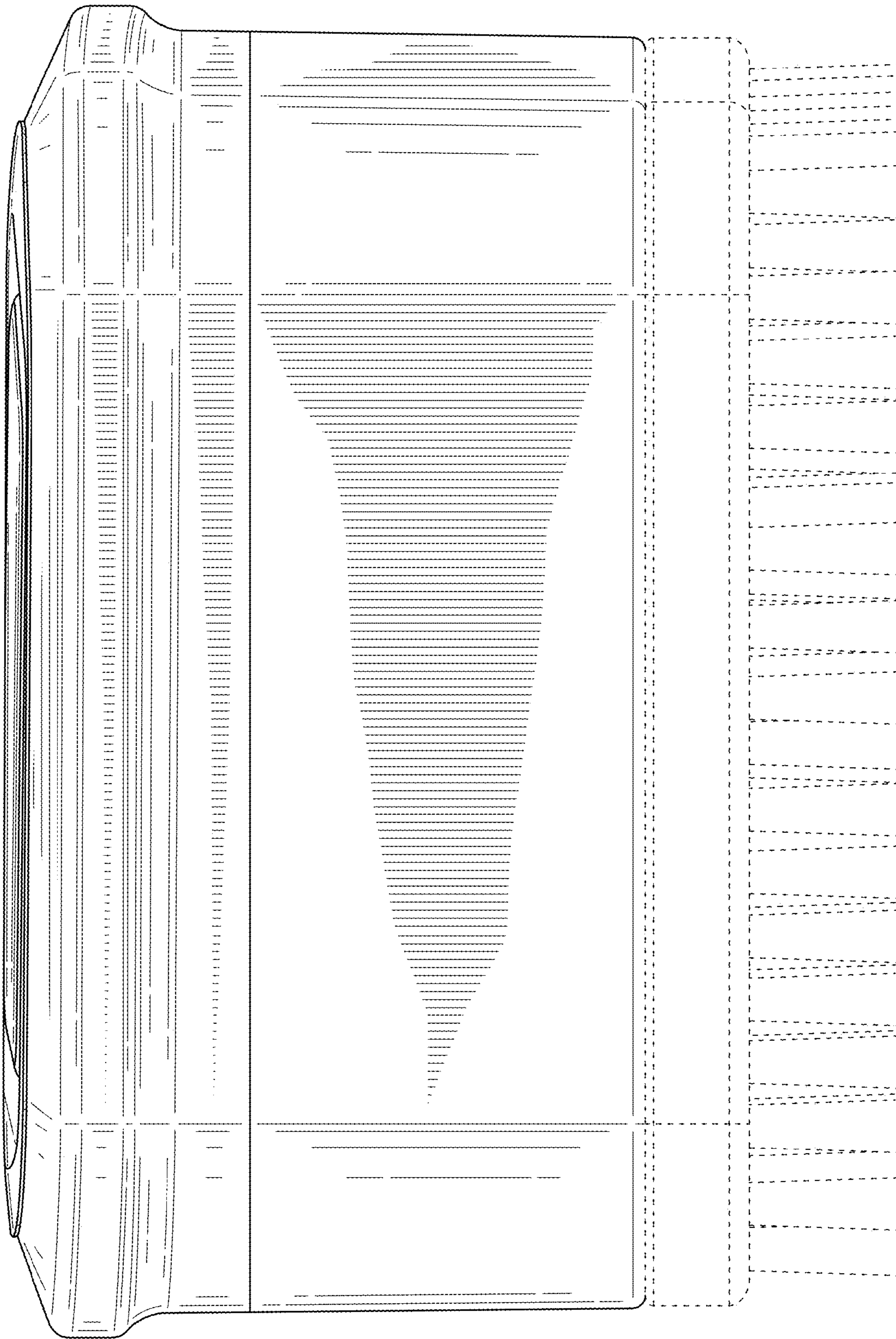


FIG. 6

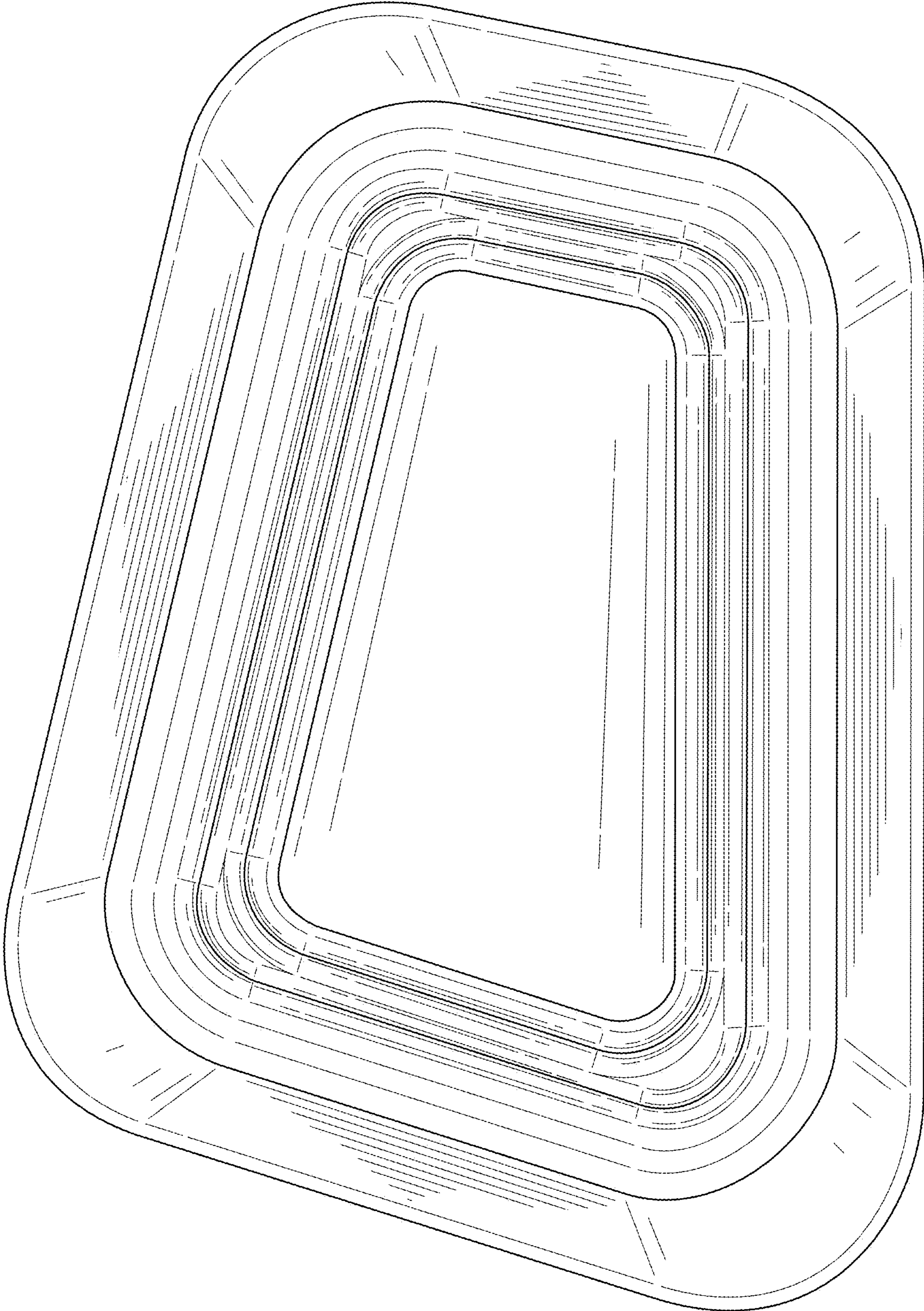


FIG. 7

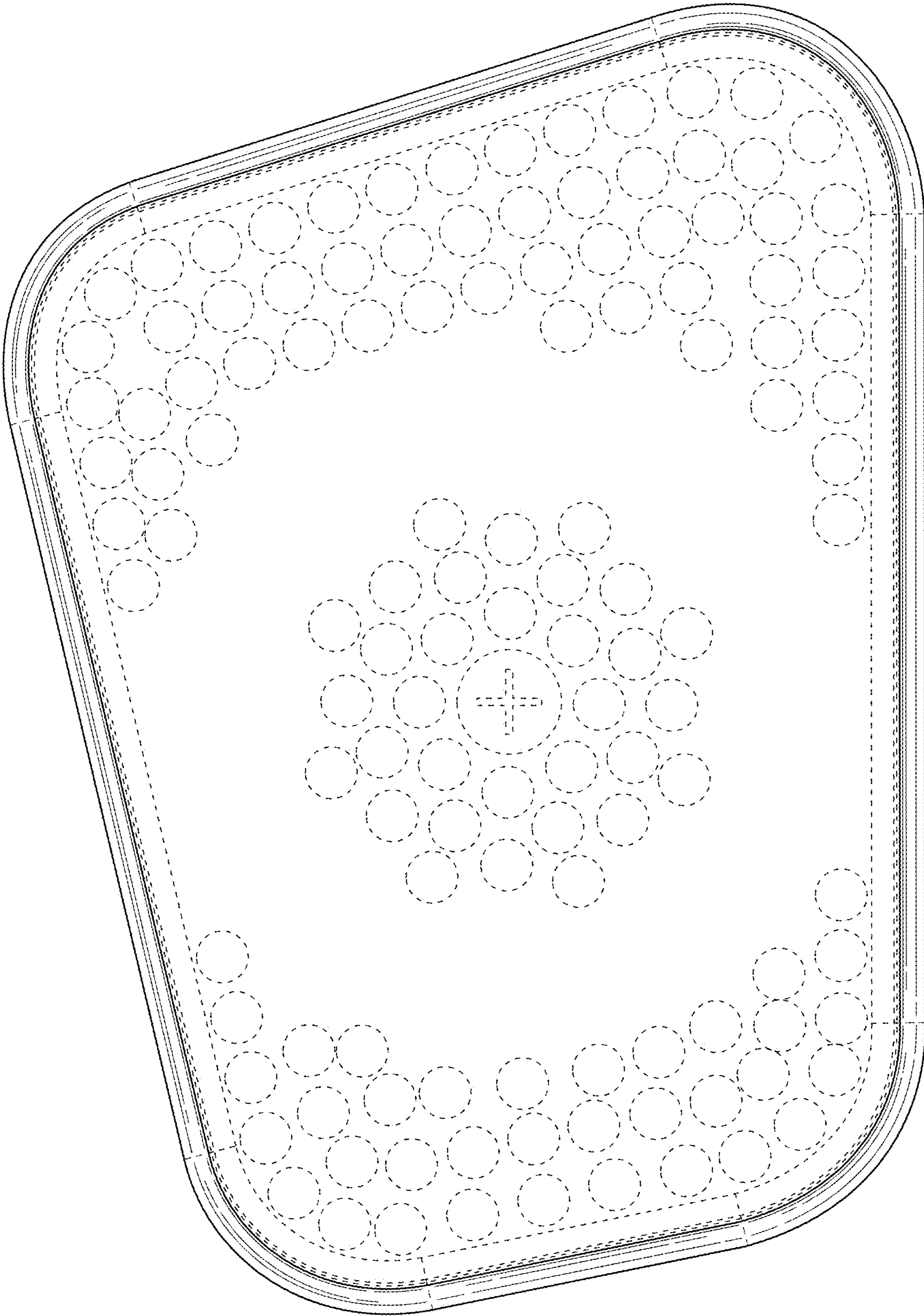


FIG. 8