



US00D925919S

(12) **United States Design Patent** (10) **Patent No.:** **US D925,919 S**
Li (45) **Date of Patent:** **** Jul. 27, 2021**

(54) **DENTAL FLOSS BRUSH**
(71) Applicant: **Zongyuan Li**, Guangdong (CN)
(72) Inventor: **Zongyuan Li**, Guangdong (CN)
(**) Term: **15 Years**
(21) Appl. No.: **29/730,603**
(22) Filed: **Apr. 7, 2020**
(30) **Foreign Application Priority Data**
Feb. 3, 2020 (CN) 202030046195.X
(51) **LOC (13) Cl.** **04-02**
(52) **U.S. Cl.**
USPC **D4/105; D4/108**
(58) **Field of Classification Search**
USPC D4/100, 101, 102, 104, 105, 106, 107,
D4/108, 109, 110, 111, 112, 113, 114,
D4/115, 116, 17, 118, 119, 120, 121, 127,
D4/128, 129, 130, 131, 132, 133, 134,
D4/135, 136, 137, 138, 199; D30/158;
D28/65, 68
CPC A46B 2200/1066; A46B 5/02; A46B 9/04;
A46B 2200/1073; A46B 2200/1086;
A46B 15/0055; A46B 15/0069; A46B
15/0071; A46B 15/0073; A61C 17/22;
A61C 15/04
See application file for complete search history.

(56) **References Cited**
U.S. PATENT DOCUMENTS
D46,450 S * 9/1914 Sarrazin D4/105
2,226,814 A * 12/1940 Gregg A46B 7/04
15/145
4,866,807 A * 9/1989 Kreit A46B 15/0002
15/105

D310,754 S * 9/1990 Gingras D4/138
D329,642 S * 9/1992 Booth D4/104
D335,578 S * 5/1993 Fuchs D4/104
D380,265 S * 6/1997 Mark D24/152
D423,100 S * 4/2000 Maissami D24/119
D445,573 S * 7/2001 Naghibi D4/136
6,438,785 B1 * 8/2002 Smith A46B 5/02
132/120
D513,668 S * 1/2006 Smith D4/136
D517,814 S * 3/2006 Cade, Jr. D4/110
7,222,382 B2 * 5/2007 Choi A46B 9/04
15/23
D775,838 S * 1/2017 Laws D4/105
D814,800 S * 4/2018 Cade, Jr. D4/110
D816,347 S * 5/2018 Zemel D4/131
D817,646 S * 5/2018 Corbellini D4/133
D912,993 S * 3/2021 Hasegawa D4/128
2018/0325637 A1 * 11/2018 Fox A61C 17/08

FOREIGN PATENT DOCUMENTS

CN 306005696 * 8/2020

* cited by examiner

Primary Examiner — Karen E Eldridge Powers

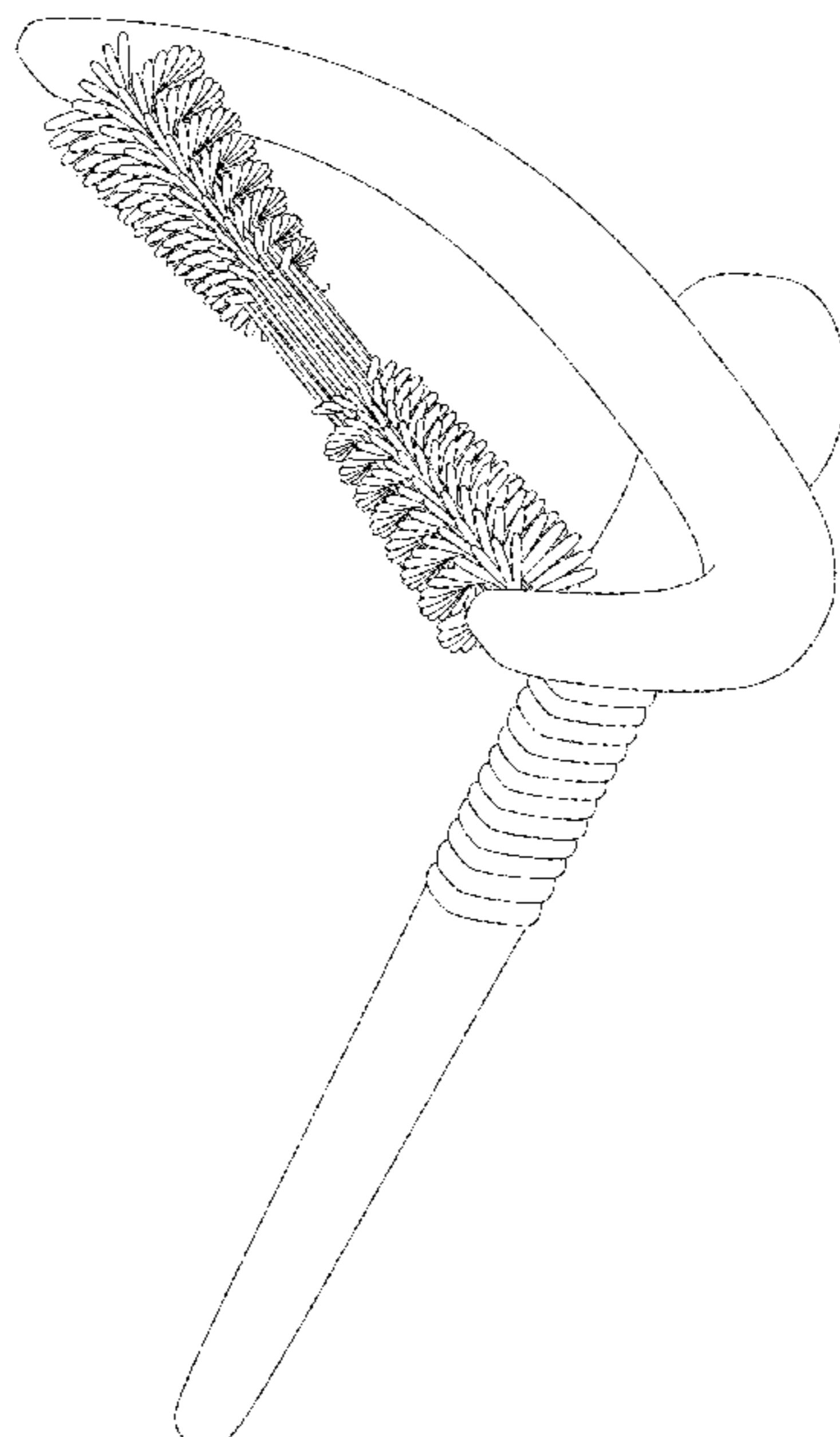
(57) **CLAIM**

The ornamental design for a dental floss brush, as shown.

DESCRIPTION

FIG. 1 is a front elevational view of a dental floss brush showing my new design;
FIG. 2 is a rear elevational view thereof;
FIG. 3 is a left side elevation view thereof;
FIG. 4 is a right side elevation view thereof;
FIG. 5 is a top plan view thereof;
FIG. 6 is a bottom plan view thereof; and,
FIG. 7 is a perspective view thereof.

1 Claim, 6 Drawing Sheets



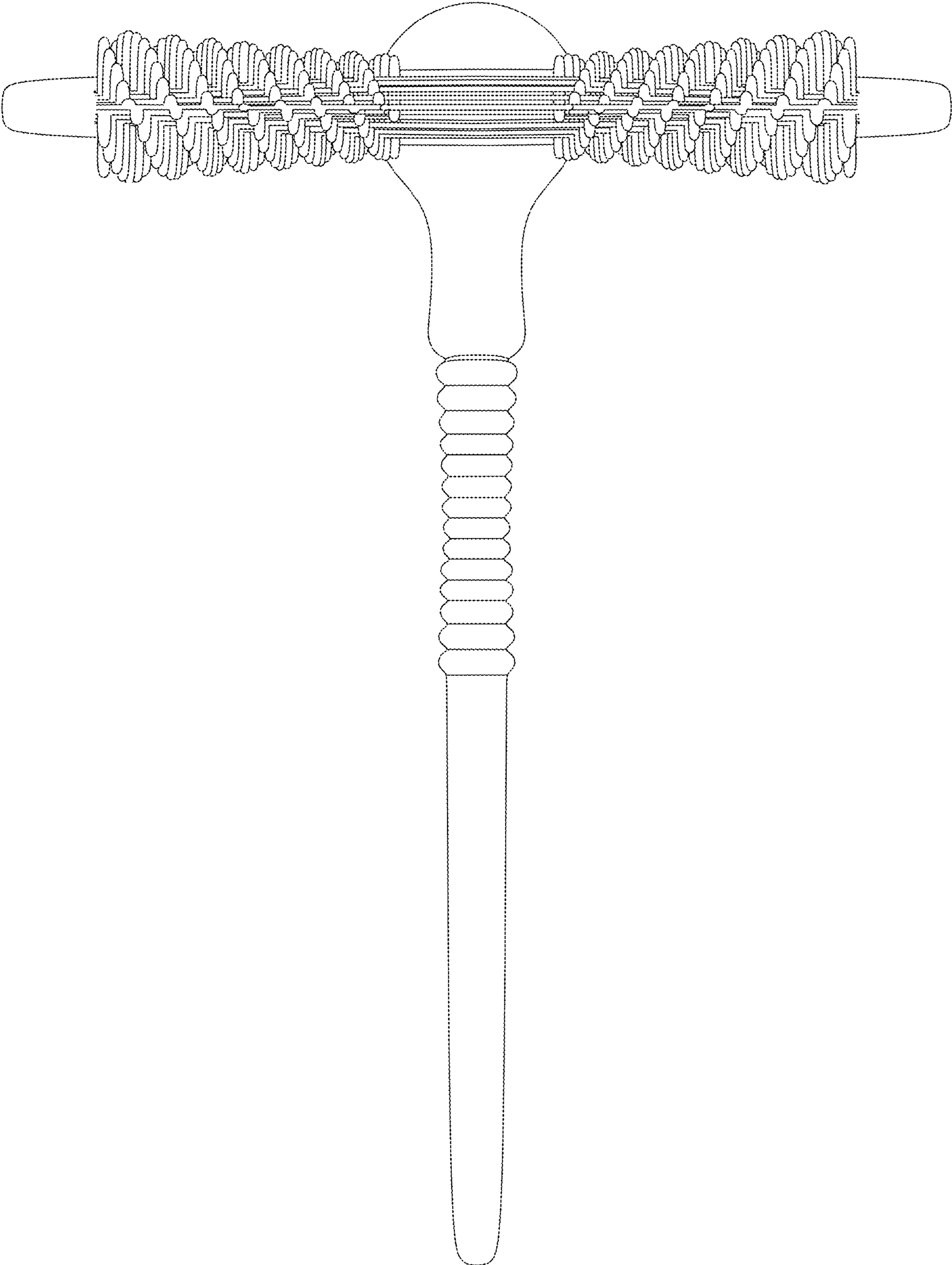


FIG. 1

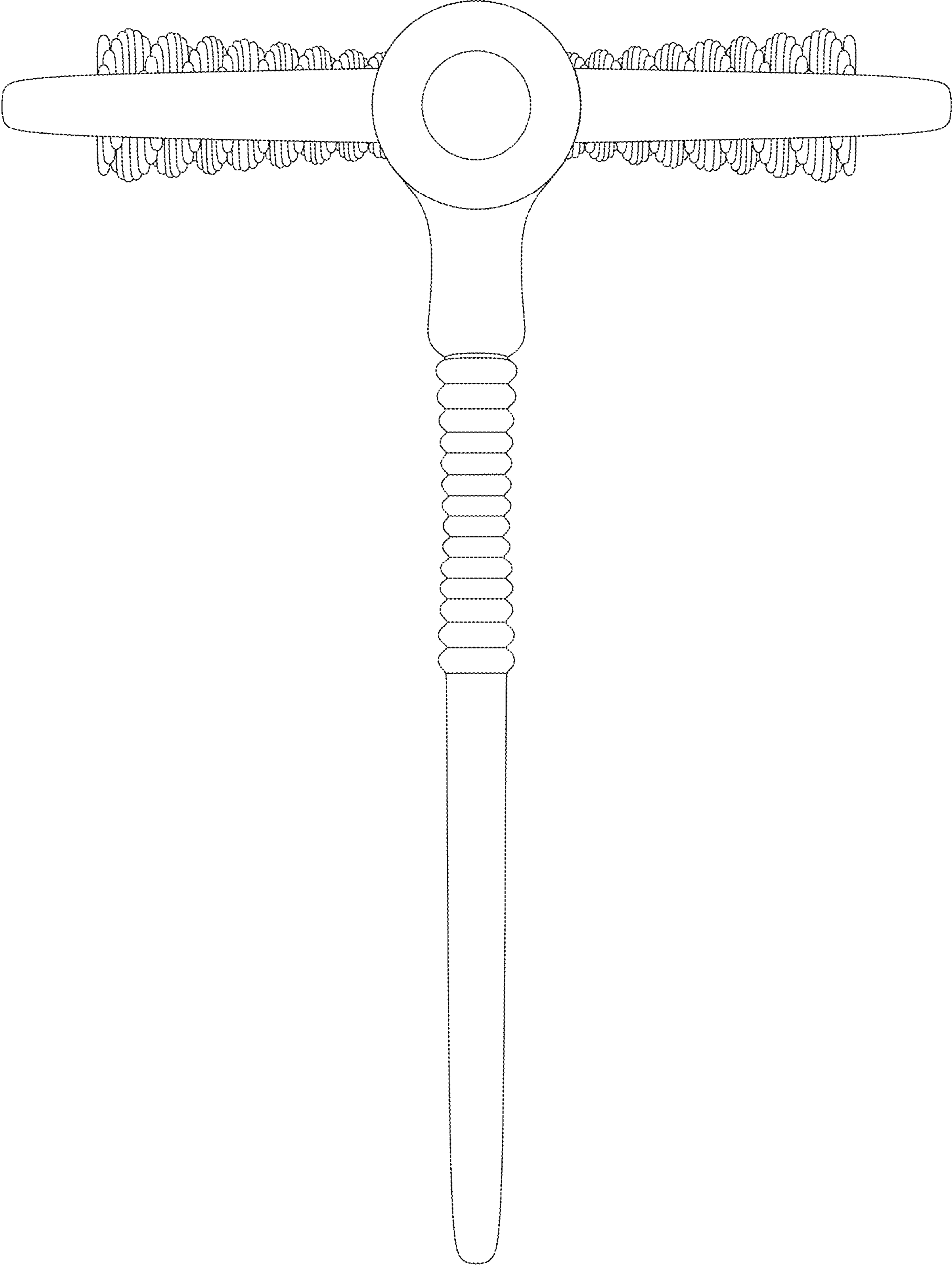


FIG. 2

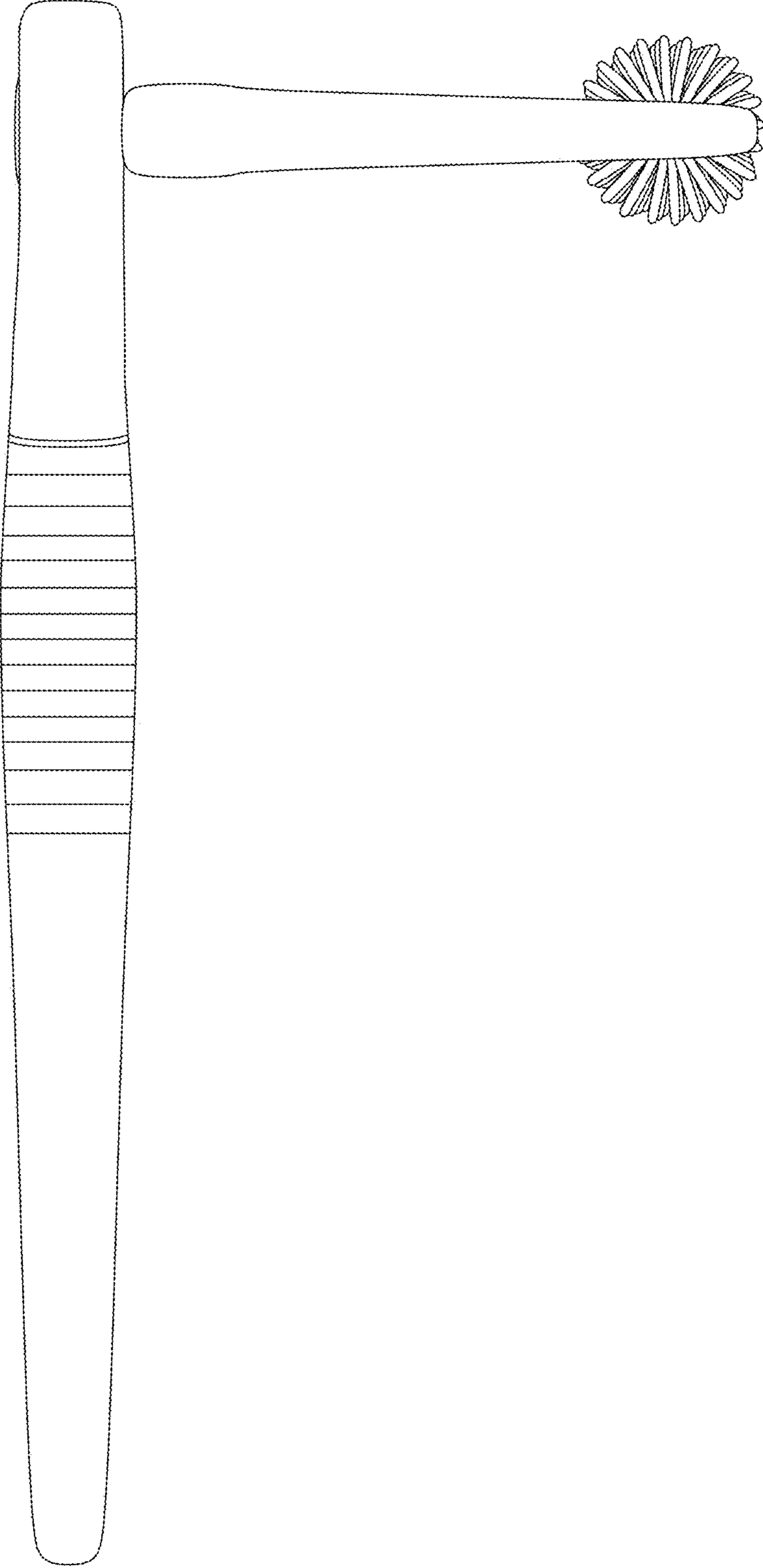


FIG. 3

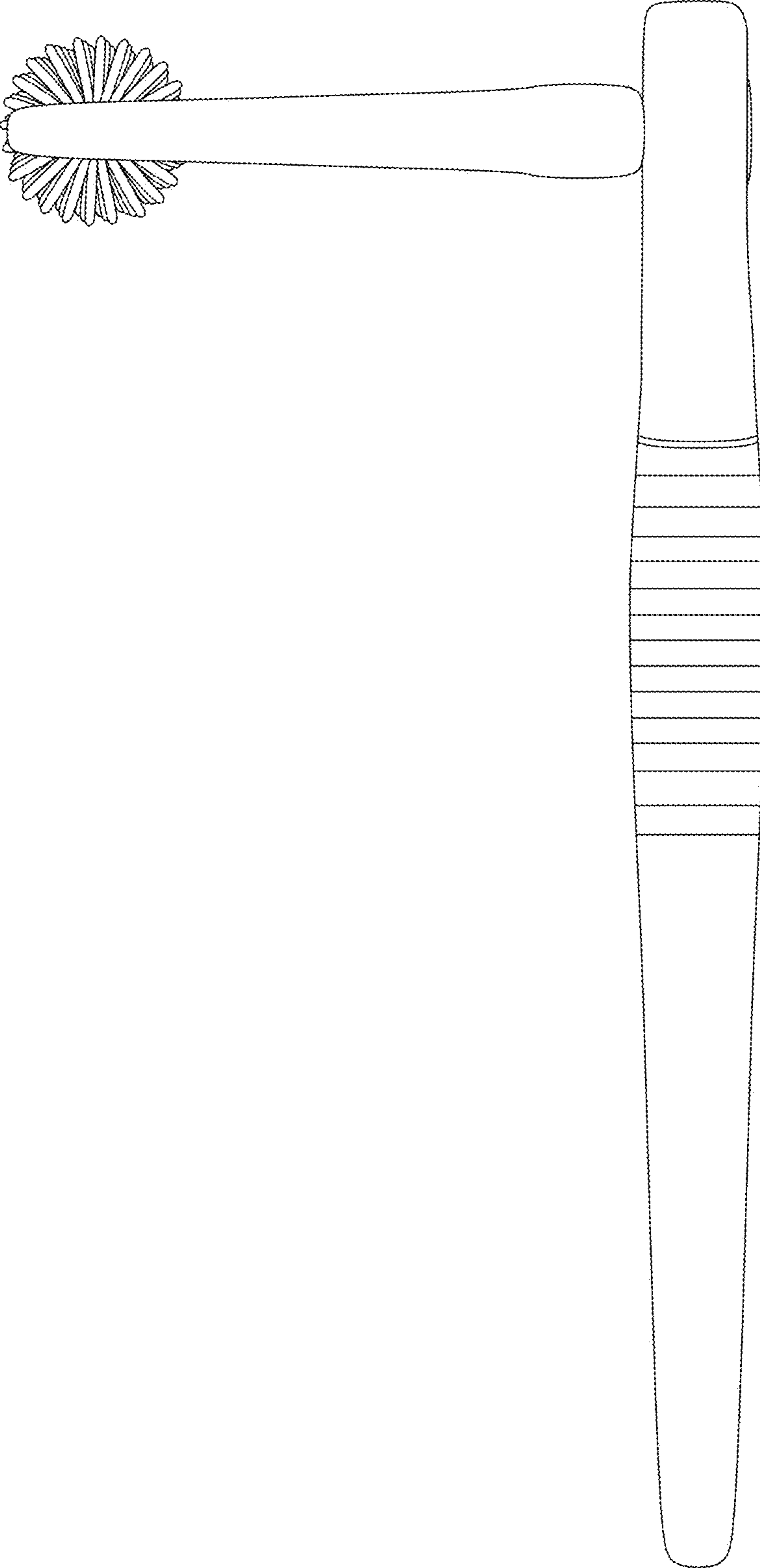


FIG. 4

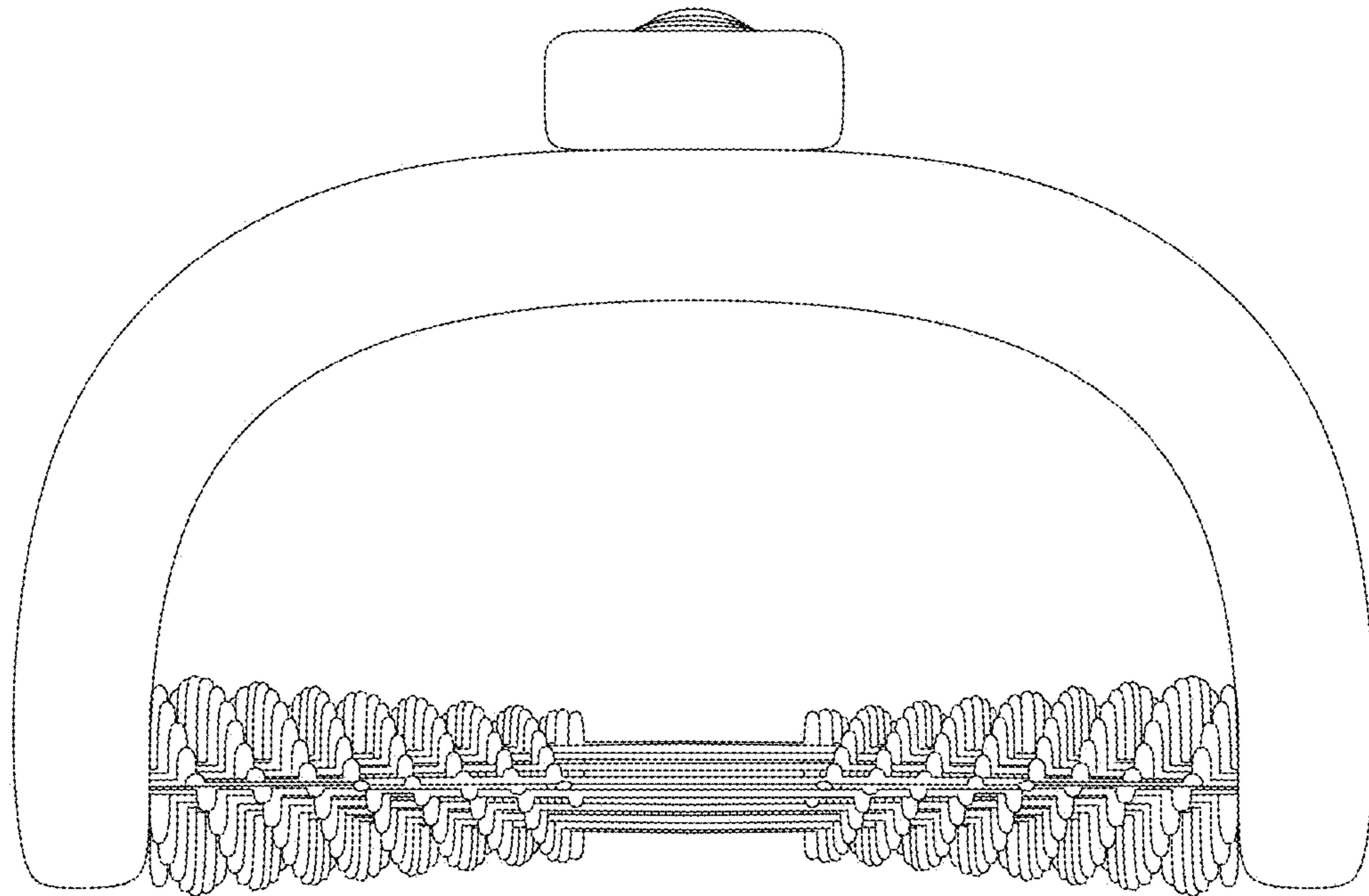


FIG. 5

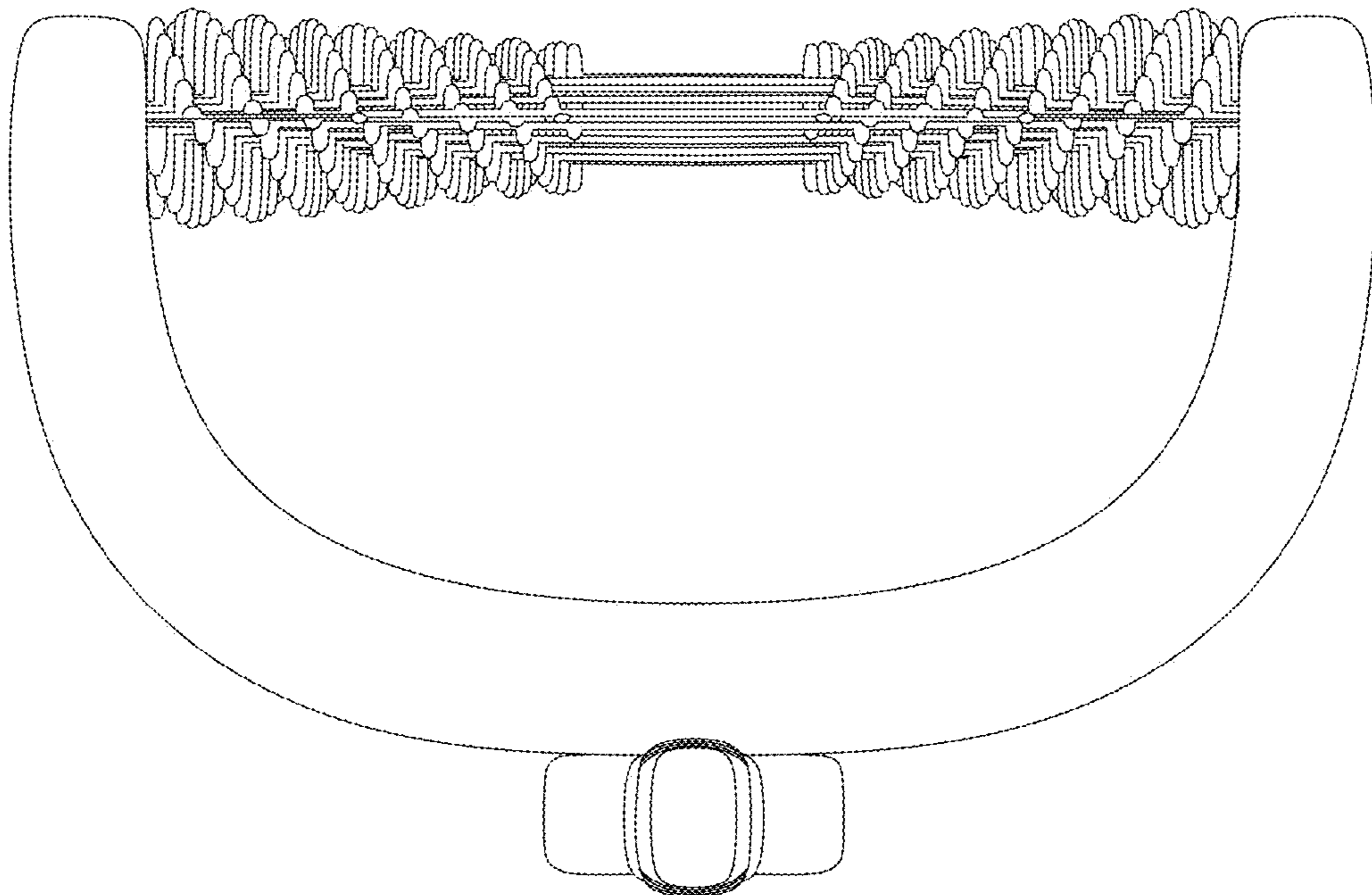


FIG. 6

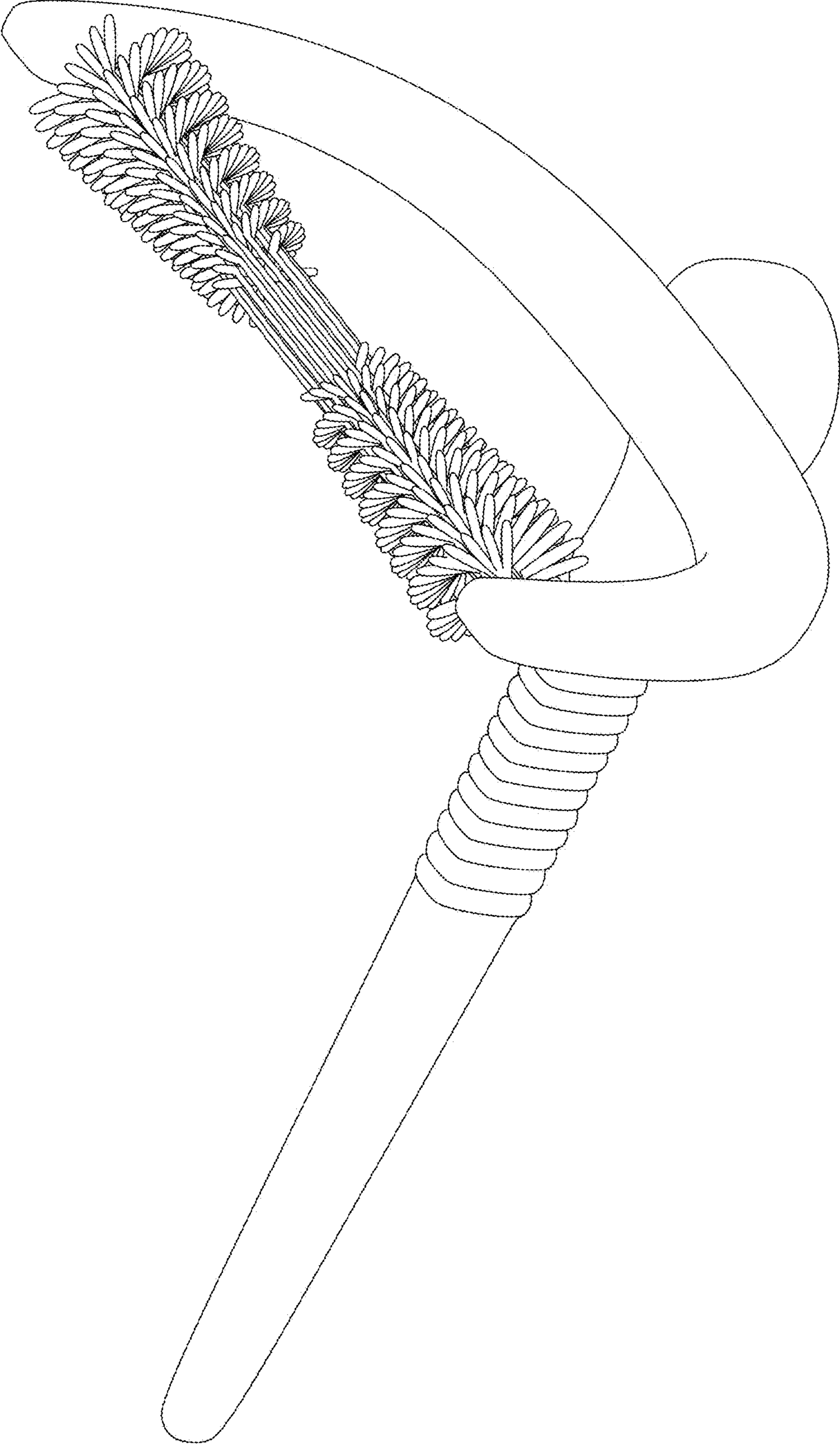


FIG. 7