



US00D925917S

(12) **United States Design Patent**  
**Huang**

(10) **Patent No.:** **US D925,917 S**

(45) **Date of Patent:** **\*\* Jul. 27, 2021**

- (54) **HANDBAG ORGANIZER**
- (71) Applicant: **SHENZHEN YIYAJU TRADING CO., LTD.**, Guangdong (CN)
- (72) Inventor: **Weijing Huang**, Guangdong (CN)
- (73) Assignee: **SHENZHEN YIYAJU TRADING CO., LTD.**, Guangdong (CN)
- (\*\*) Term: **15 Years**
- (21) Appl. No.: **29/745,187**
- (22) Filed: **Aug. 4, 2020**
- (51) **LOC (13) Cl.** ..... **03-01**
- (52) **U.S. Cl.**  
USPC ..... **D3/319**
- (58) **Field of Classification Search**  
USPC ..... D3/232, 247, 303, 310, 318-320;  
D9/456, 737; 150/113; 190/109;  
206/372  
CPC .... A45C 13/02; A45C 2013/026; A45C 11/26  
See application file for complete search history.

- D766,737 S \* 9/2016 Pheir ..... D9/737
- D893,193 S \* 8/2020 Zhu ..... D3/319
- D900,477 S \* 11/2020 Huang ..... D3/319
- D900,478 S \* 11/2020 Huang ..... D3/319
- 2006/0096680 A1 \* 5/2006 Khubani ..... A45C 13/004  
150/113

(Continued)

**OTHER PUBLICATIONS**

“Purse Organizer”, Date First Available: Jul. 22, 2020, Amazon.com, Site Visited Jan. 25, 2020: [https://www.amazon.com/Organizer-Insert-wallet%EF%BC%8CBag-Speedy-Neverfull/dp/B08CKHX63L/ref=sr\\_1\\_16\\_sspa?dchild=1&keywords=ZTUJO&qid=1611338207&sr=8-16-spons&spLa=ZW5jenlwdGVkUXVhbGlmaWVyPUEzSU50MjRaM0FQVjFRJmVuY \(Year: 2020\).\\*](https://www.amazon.com/Organizer-Insert-wallet%EF%BC%8CBag-Speedy-Neverfull/dp/B08CKHX63L/ref=sr_1_16_sspa?dchild=1&keywords=ZTUJO&qid=1611338207&sr=8-16-spons&spLa=ZW5jenlwdGVkUXVhbGlmaWVyPUEzSU50MjRaM0FQVjFRJmVuY (Year: 2020).*)

*Primary Examiner* — Jennifer L Watkins  
*Assistant Examiner* — Samantha Lynne Brodowski  
(74) *Attorney, Agent, or Firm* — ScienBiziP, P.C.

(57) **CLAIM**

The ornamental design for a handbag organizer, as shown and described.

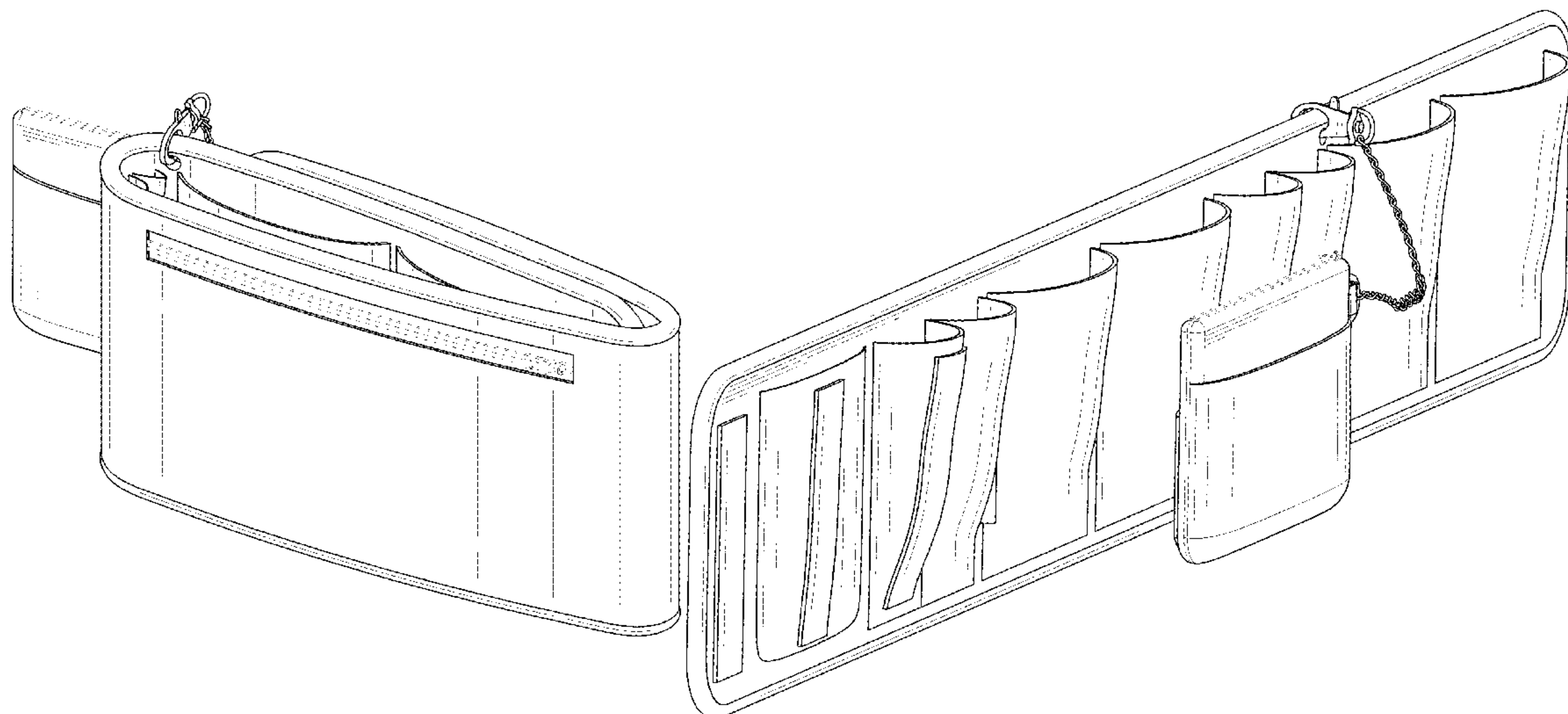
**DESCRIPTION**

FIG. 1 is a front perspective view of a handbag organizer, showing my design.  
FIG. 2 is a rear perspective view thereof.  
FIG. 3 is a front elevation view thereof.  
FIG. 4 is a rear elevation view thereof.  
FIG. 5 is a left side elevation view thereof.  
FIG. 6 is a right side elevation view thereof.  
FIG. 7 is a top plan view thereof.  
FIG. 8 is a bottom plan view thereof; and,  
FIG. 9 is a perspective view thereof, shown in an open position.  
The broken lines depict portions of the article that form no part of the claimed design.

**1 Claim, 9 Drawing Sheets**

(56) **References Cited**  
U.S. PATENT DOCUMENTS

- D252,596 S \* 8/1979 Adler ..... D3/303
- 4,440,525 A \* 4/1984 Perla ..... B63C 11/30  
224/664
- 4,804,121 A \* 2/1989 Stanton ..... A63B 57/00  
224/191
- 5,207,254 A \* 5/1993 Fromm ..... A45C 13/02  
150/104
- D379,713 S \* 6/1997 MacLean ..... D3/232
- D600,918 S \* 9/2009 Carlevale ..... D3/318
- D618,913 S \* 7/2010 Helmhout ..... D3/318
- D646,485 S \* 10/2011 Mason ..... D3/299
- D658,879 S \* 5/2012 Sgambellone ..... D3/303
- D702,043 S 4/2014 Johnson et al.
- D711,106 S \* 8/2014 Davidson ..... D3/303
- D713,643 S \* 9/2014 Adinolfe, Sr. .... D3/303
- D732,294 S \* 6/2015 Hu ..... D3/319
- D733,432 S 7/2015 Johnson et al.



(56)

**References Cited**

U.S. PATENT DOCUMENTS

2006/0096681 A1\* 5/2006 Khubani ..... A45C 13/004  
150/113  
2006/0283680 A1\* 12/2006 Hollin ..... A45C 13/02  
190/110  
2014/0326560 A1\* 11/2014 Bergh ..... A45C 13/02  
190/110  
2015/0314920 A1\* 11/2015 Fee ..... B65D 33/002  
383/38  
2017/0095048 A1\* 4/2017 Kohn ..... A45C 7/0077

\* cited by examiner

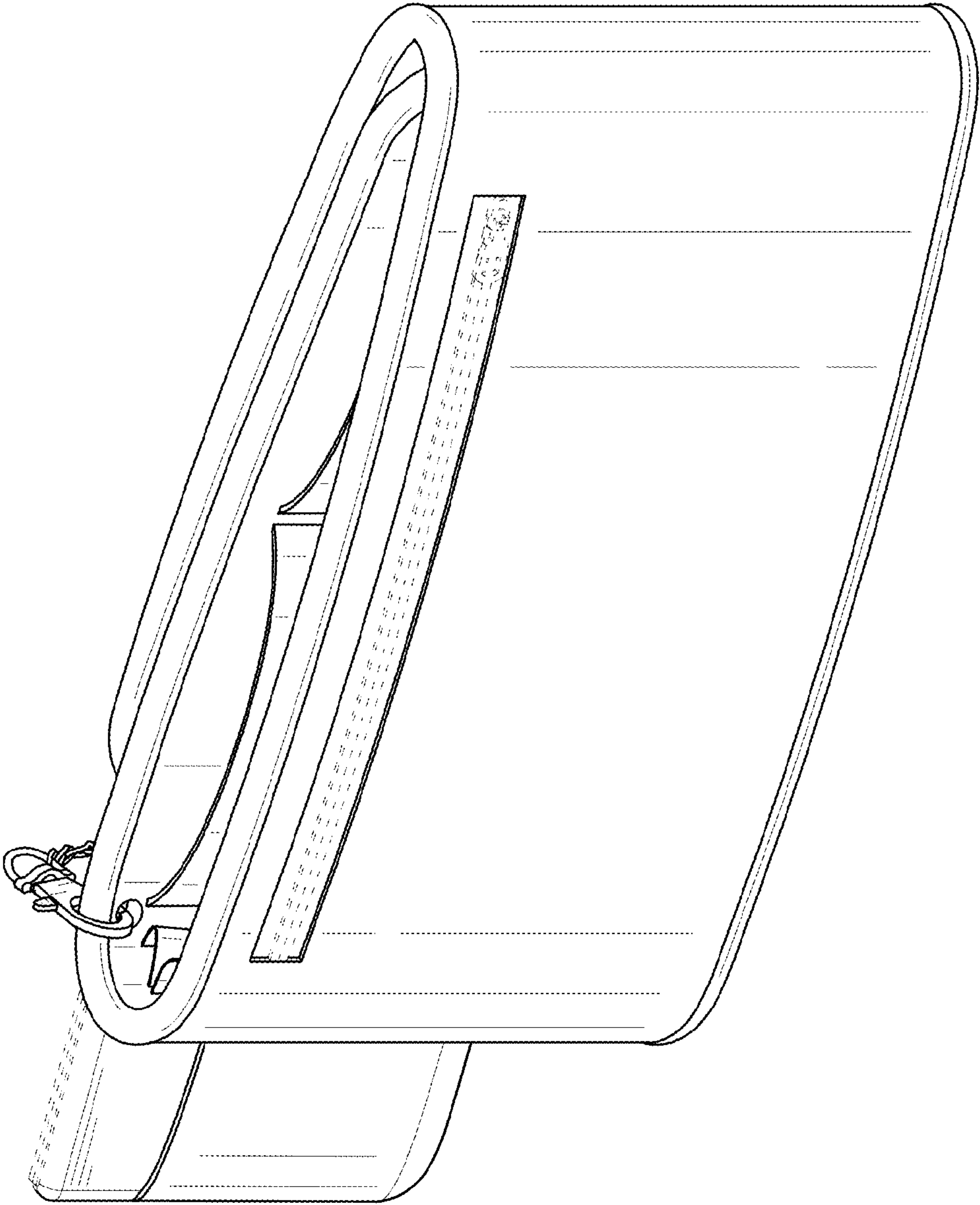


FIG.1

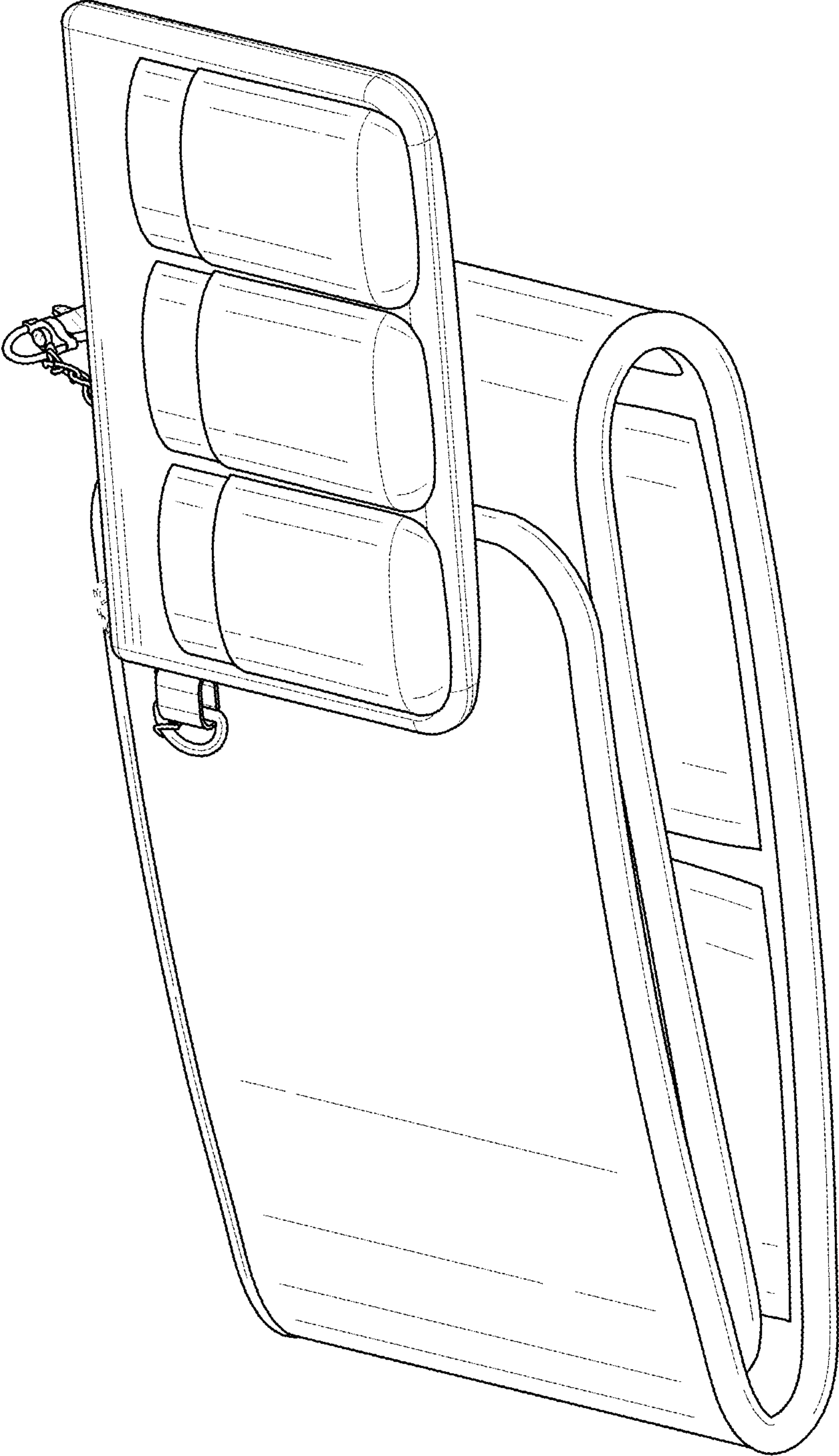


FIG.2

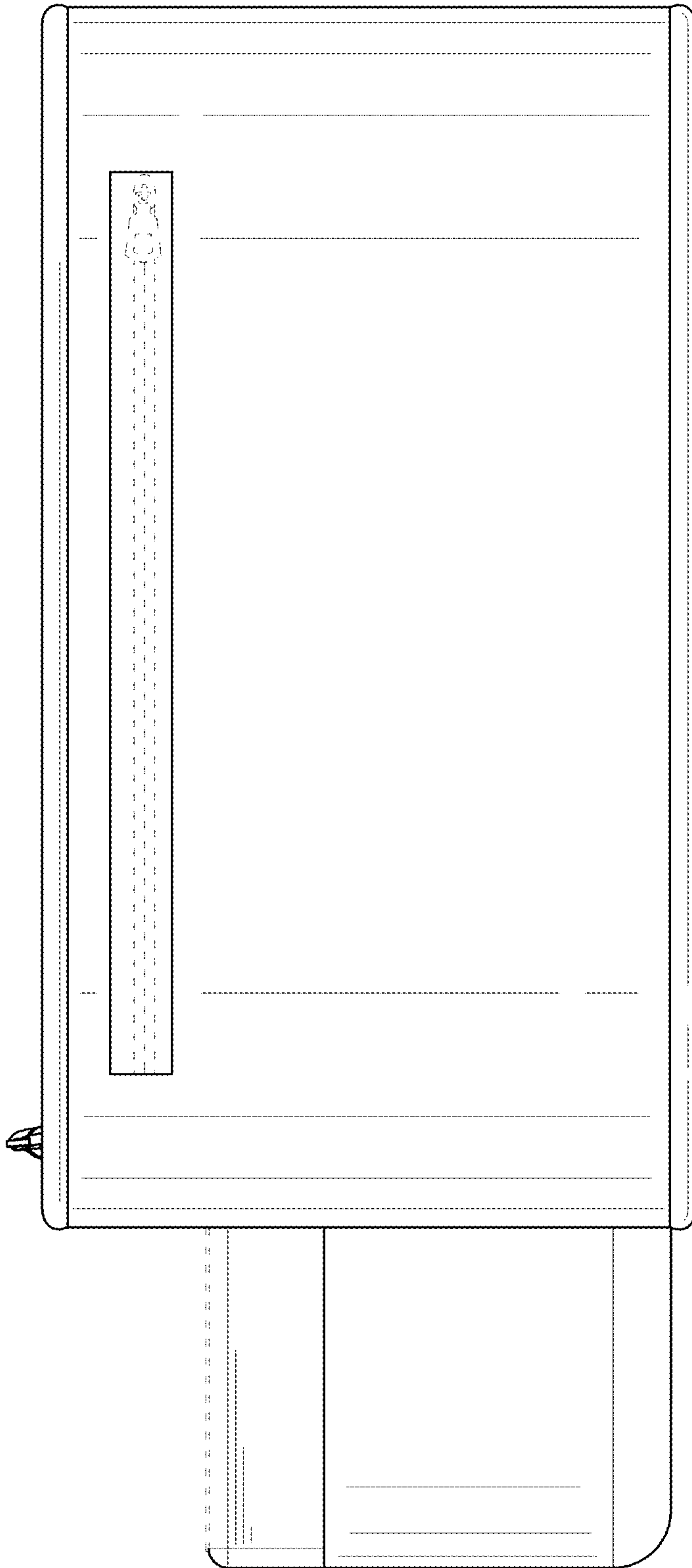


FIG.3



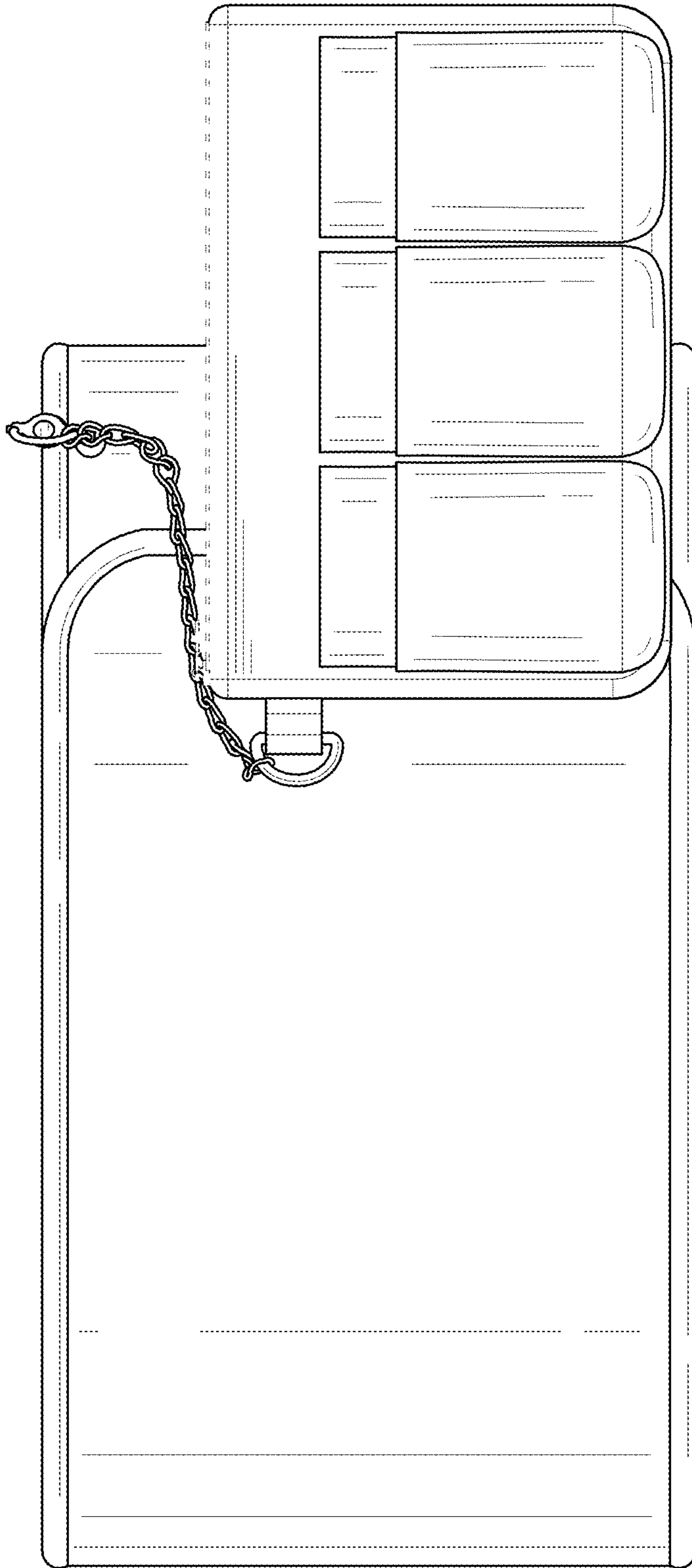


FIG.4

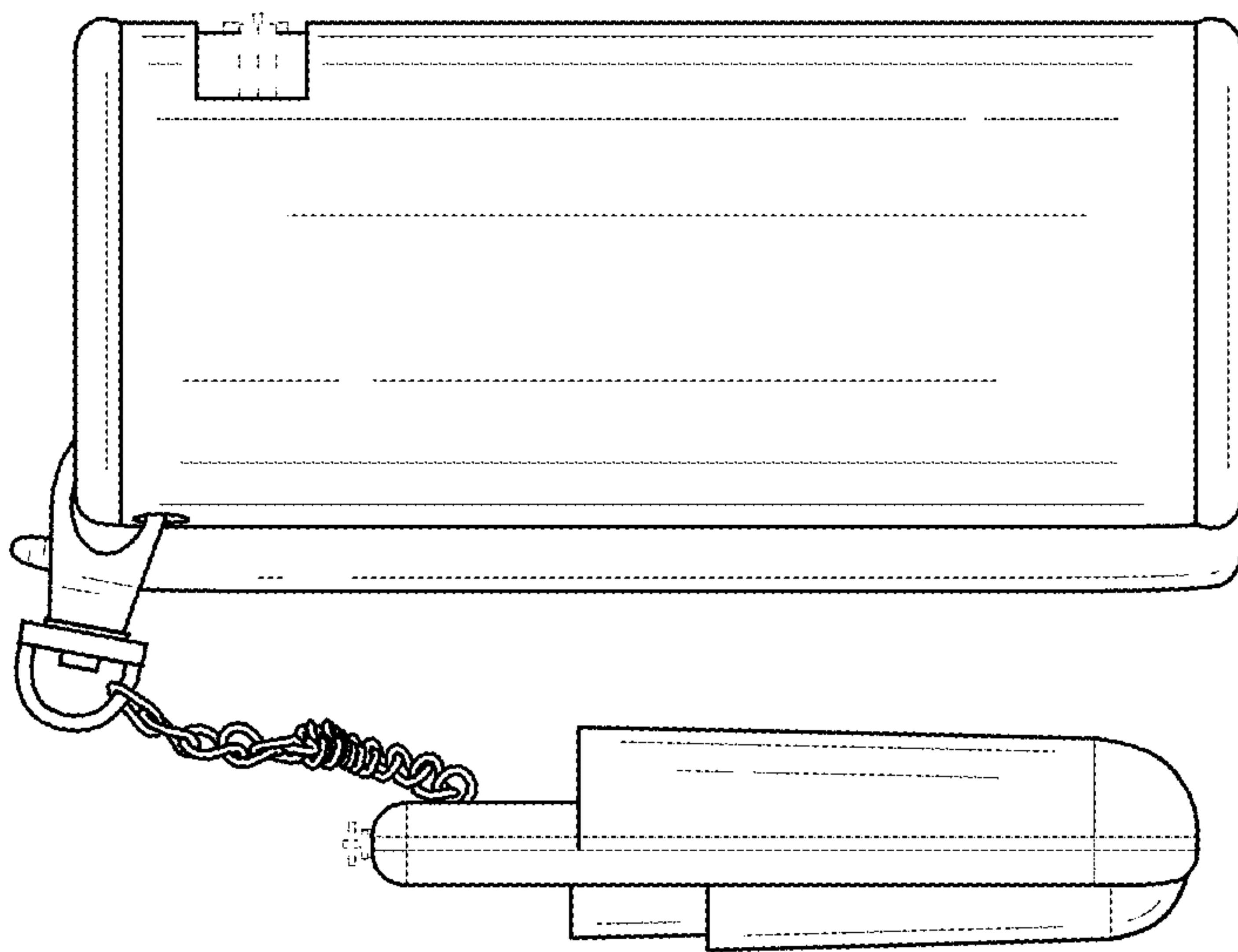


FIG.5

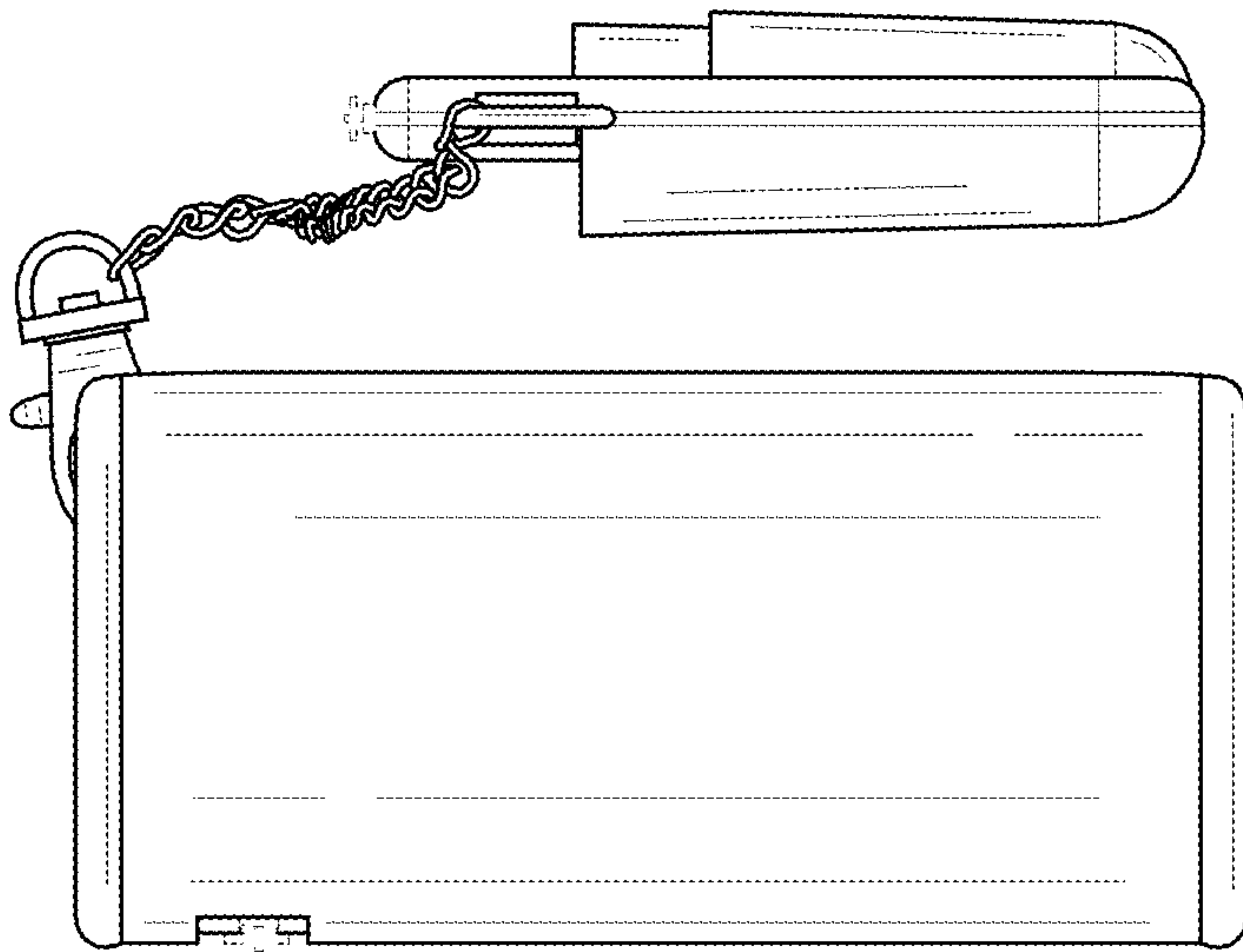


FIG.6



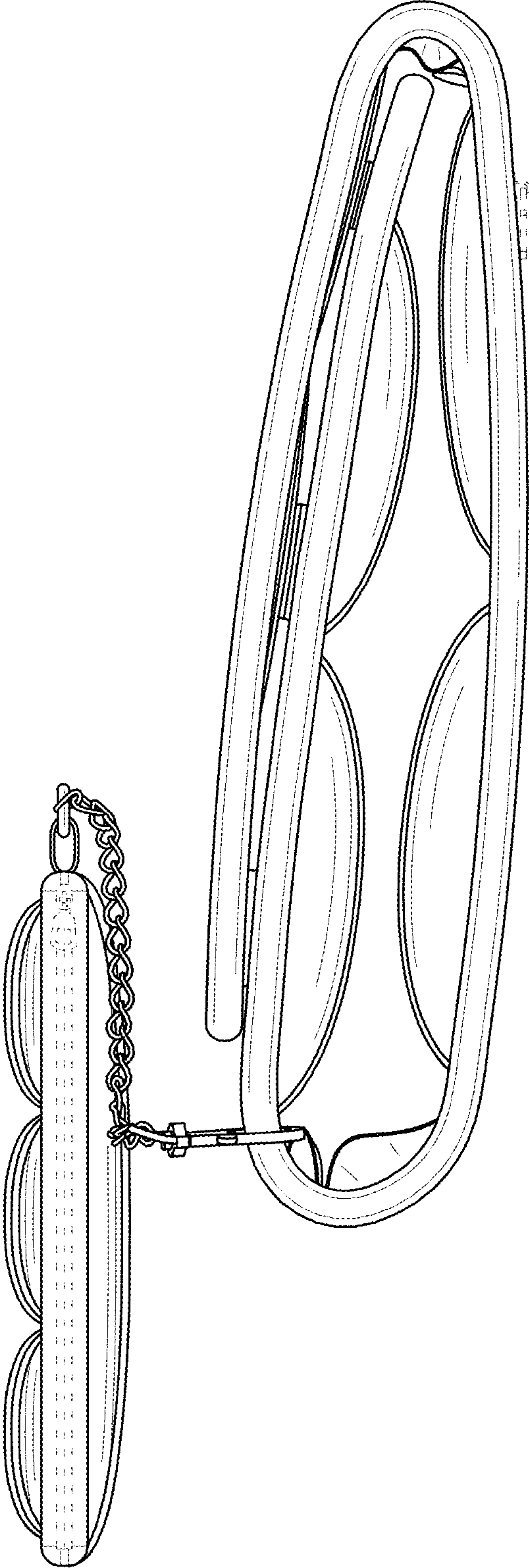


FIG.7

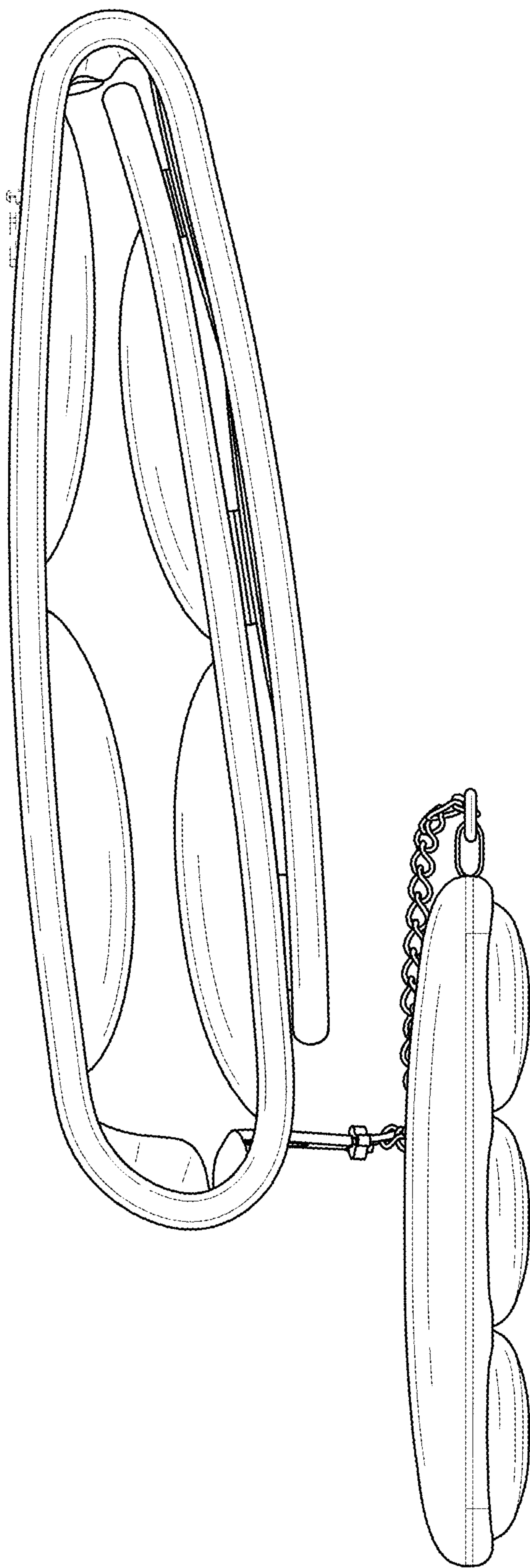


FIG. 8

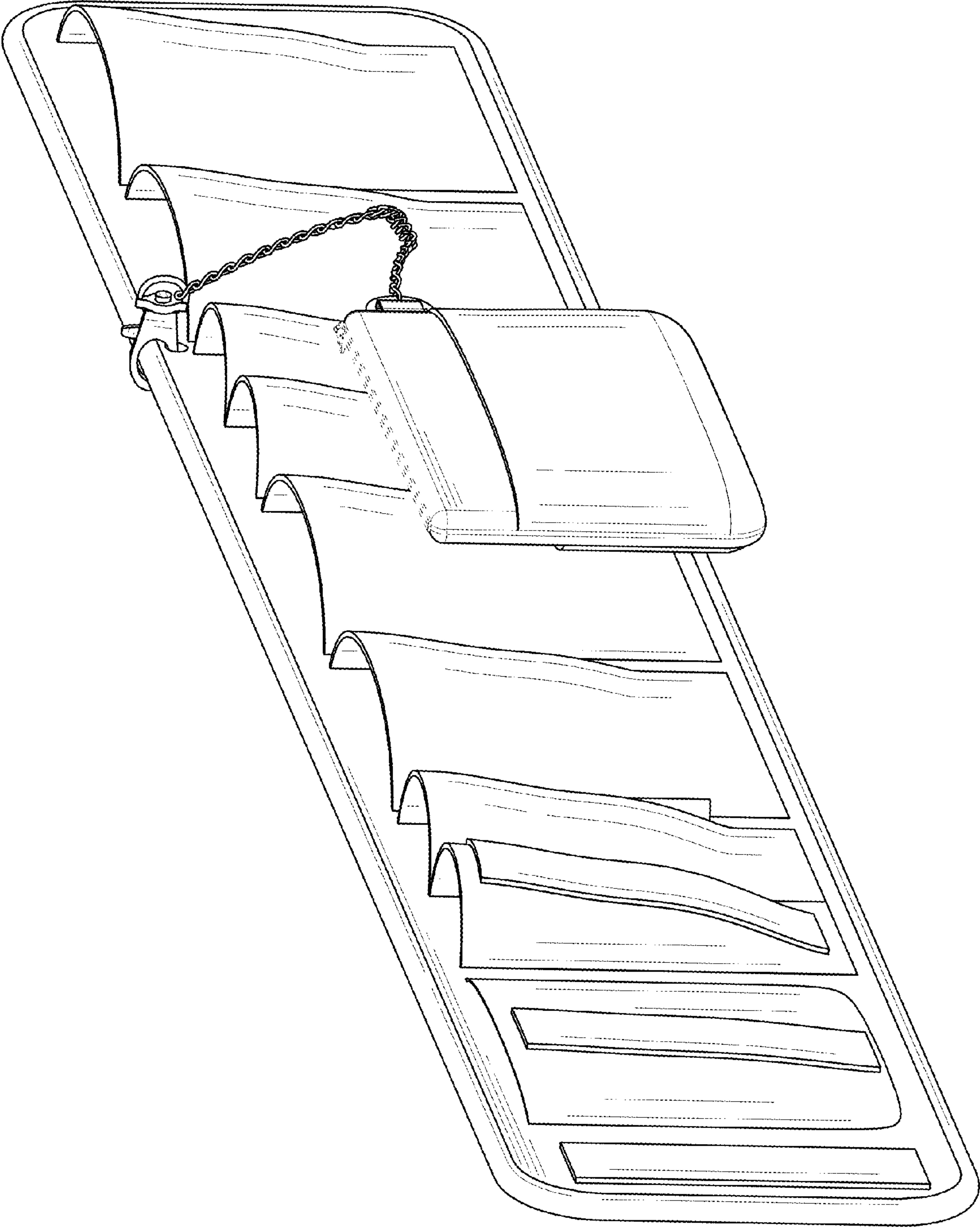


FIG.9