



US00D925913S

(12) **United States Design Patent**
Pereira Ruiz

(10) **Patent No.:** **US D925,913 S**

(45) **Date of Patent:** **** Jul. 27, 2021**

- (54) **TRAY**
- (71) Applicant: **HOLSUM DE PUERTO RICO, INC.**,
Toa Baja, PR (US)
- (72) Inventor: **Miguel Angel Pereira Ruiz**, Dorado,
PR (US)
- (73) Assignee: **HOLSUM DE PUERTO RICO, INC.**,
Toa Baja, PR (US)

- D252,961 S * 9/1979 Carroll D3/304
- D258,212 S * 2/1981 Negrete D3/314
- D261,069 S * 9/1981 Munch D3/304
- D261,444 S * 10/1981 Munch D3/312
- D264,014 S * 4/1982 Cornou D3/307
- D268,061 S * 2/1983 Munch D3/314
- D292,633 S * 11/1987 Kreeger D3/314
- D317,670 S * 6/1991 Apps D3/314
- D319,908 S * 9/1991 Stahl D3/304

(Continued)

(**) Term: **15 Years**

(21) Appl. No.: **29/684,263**

(22) Filed: **Mar. 19, 2019**

(51) **LOC (13) Cl.** **03-03**

(52) **U.S. Cl.**
USPC **D3/314; D9/456**

(58) **Field of Classification Search**
 USPC D3/200, 201, 272, 304, 306, 315, 319;
 D6/675, 672, 683; D7/500, 550.1, 553.2,
 D7/554.3, 600.1, 601, 354, 359; D9/456,
 D9/454, 761
 CPC B65D 81/02; B65D 81/025; B65D 21/04;
 B65D 21/041; B65D 21/045; B65D
 1/243; B65D 11/18; B65D 85/30; B65D
 85/32; B65B 1/04
 See application file for complete search history.

(56) **References Cited**

U.S. PATENT DOCUMENTS

- 3,825,114 A * 7/1974 Johnson B65D 21/045
206/507
- 3,934,724 A * 1/1976 Johnson B65D 21/045
206/507
- 3,937,327 A * 2/1976 Carroll B65D 21/041
206/507
- D244,486 S * 5/1977 Johnson D3/312
- D244,489 S * 5/1977 Johnson D3/314
- D247,523 S * 3/1978 Carroll D3/314
- D249,185 S * 8/1978 Carroll D3/304

OTHER PUBLICATIONS

Bakery Tray: Site Visited [Mar. 9, 2021. Available from Internet
URL: <https://reusabletranspack.com/products/fhv01-24216/>.*

Primary Examiner — Catherine S Posthauer

(74) *Attorney, Agent, or Firm* — Knobbe, Martens, Olson
& Bear, LLP

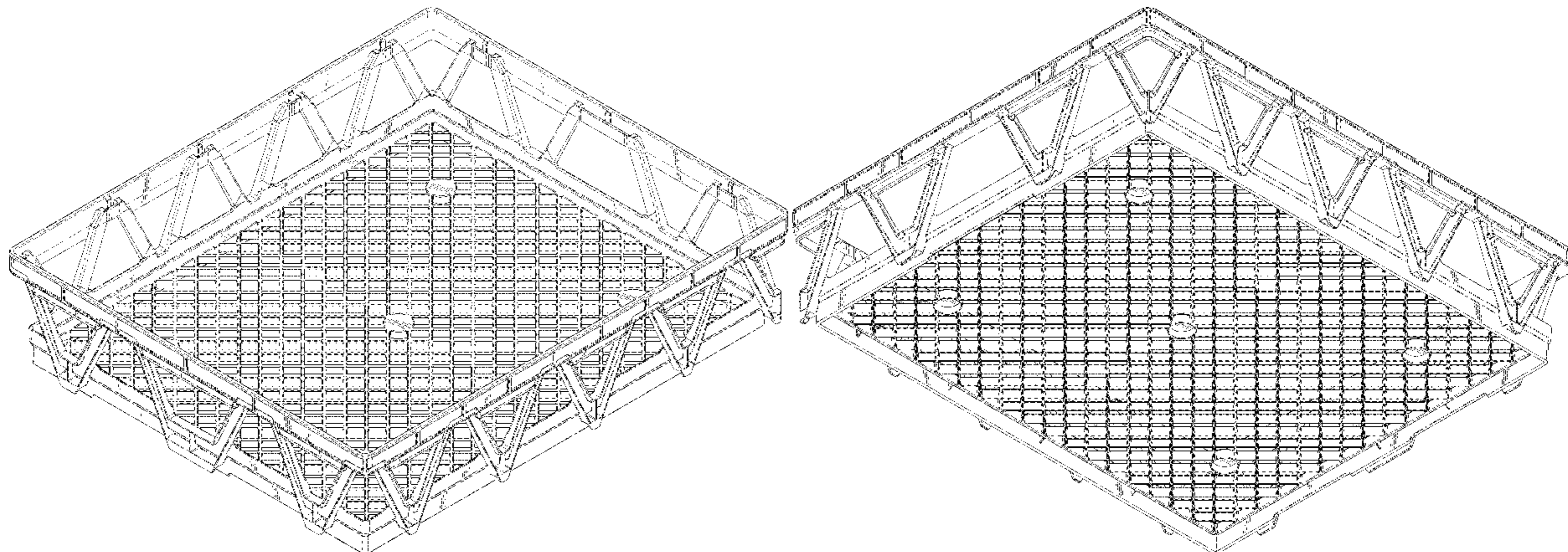
(57) **CLAIM**

The ornamental design for a tray, as shown and described.

DESCRIPTION

FIG. 1 is a front top right perspective view of a tray showing my new design.
 FIG. 2 is a front elevational view thereof.
 FIG. 3 is a rear elevational view thereof.
 FIG. 4 is a left side elevational view thereof.
 FIG. 5 is a right side elevational view thereof.
 FIG. 6 is a top plan view thereof.
 FIG. 7 is a bottom plan view thereof.
 FIG. 8 is a front elevational view thereof, shown in a position of use with an exemplary tray.
 FIG. 9 is a front elevational view thereof, shown in a position of use with an exemplary tray; and,
 FIG. 10 is a bottom perspective view thereof.
 The broken lines shown in FIGS. 8 and 9 are shown for the purpose of illustrating environmental subject matter of an exemplary tray and form no part of the claimed design.

1 Claim, 10 Drawing Sheets



(56)

References Cited

U.S. PATENT DOCUMENTS

D326,550	S	*	5/1992	Waterman	D3/304
D328,662	S	*	8/1992	Maglione	D3/314
D355,764	S	*	2/1995	Apps	D3/304
D356,211	S	*	3/1995	Apps	D3/304
6,186,328	B1	*	2/2001	Apps	B65D 21/0233
						206/518
D549,455	S	*	8/2007	Kent	D3/304
D568,646	S	*	5/2008	Snider	D3/306
D701,617	S	*	3/2014	Tsukiji	D24/227
D776,430	S	*	1/2017	Chinni Vergottini	D3/304
D781,148	S	*	3/2017	Kemp	D9/456
D801,686	S	*	11/2017	Park	D3/305

* cited by examiner

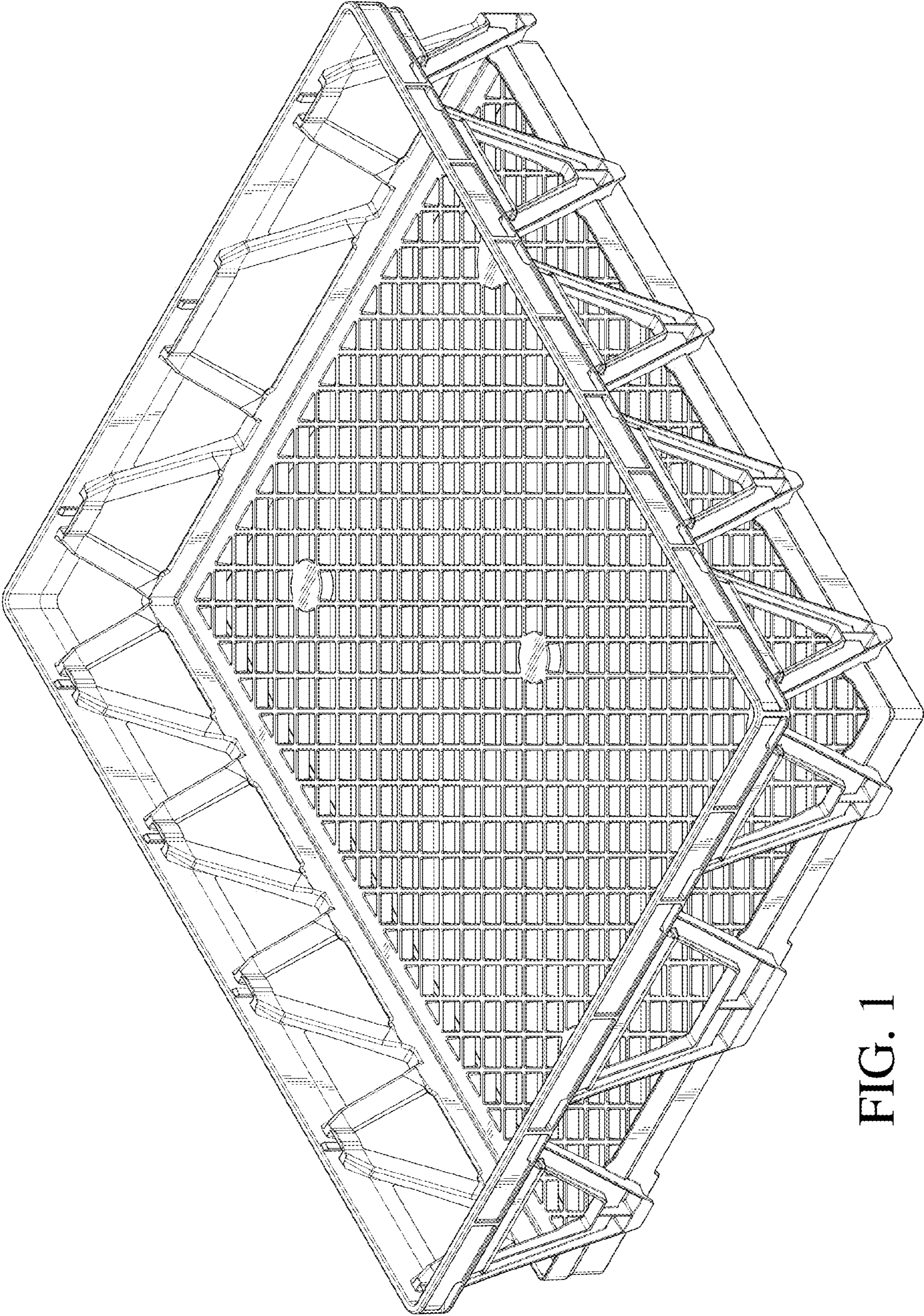


FIG. 1

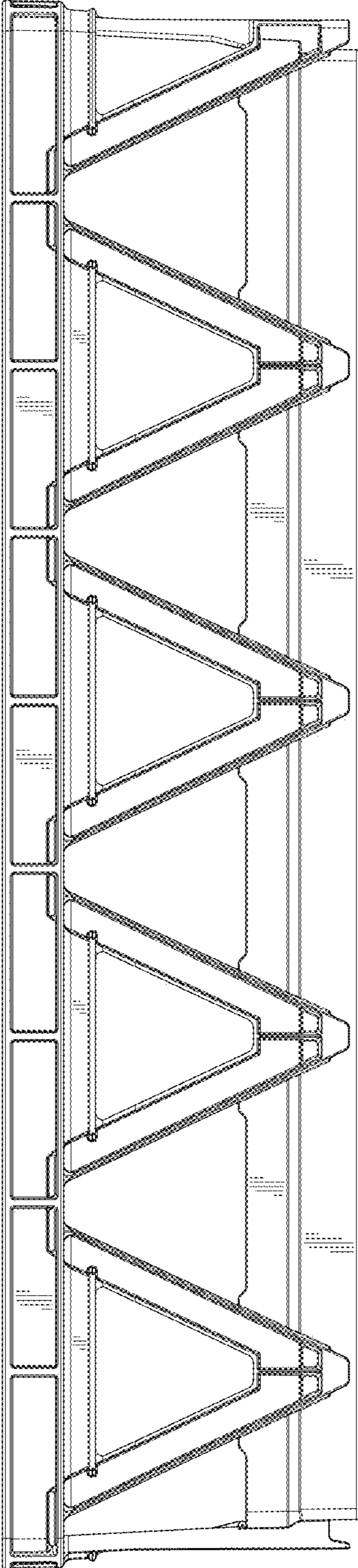


FIG. 2

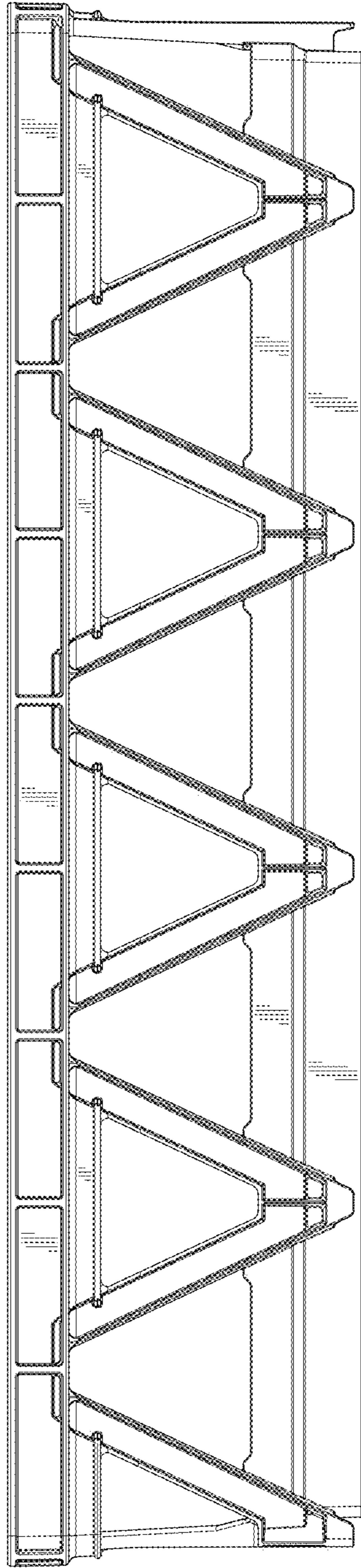


FIG. 3

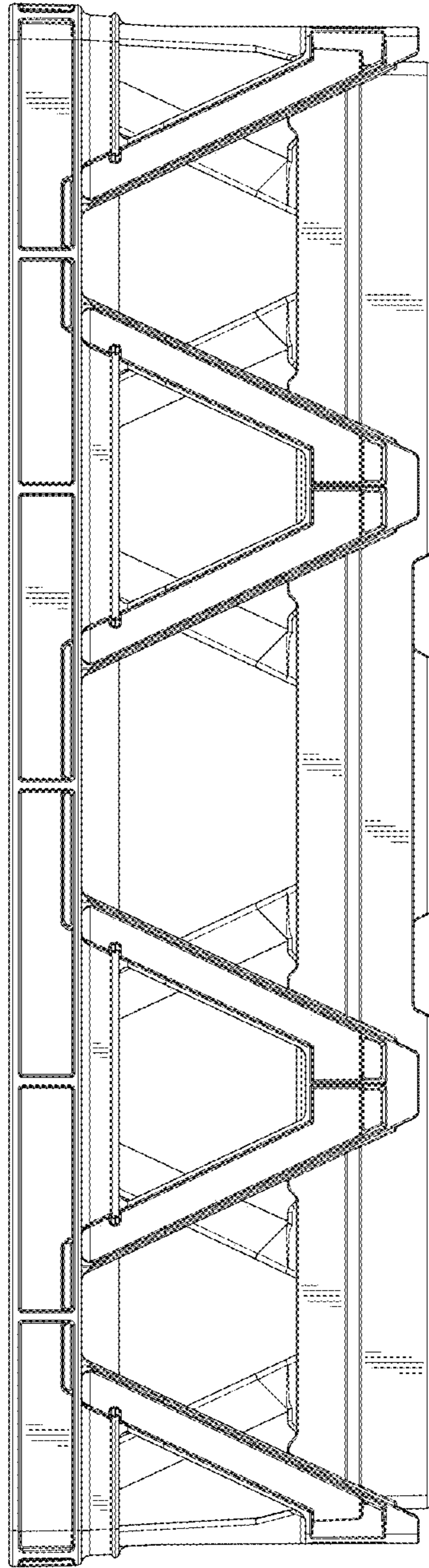


FIG. 4

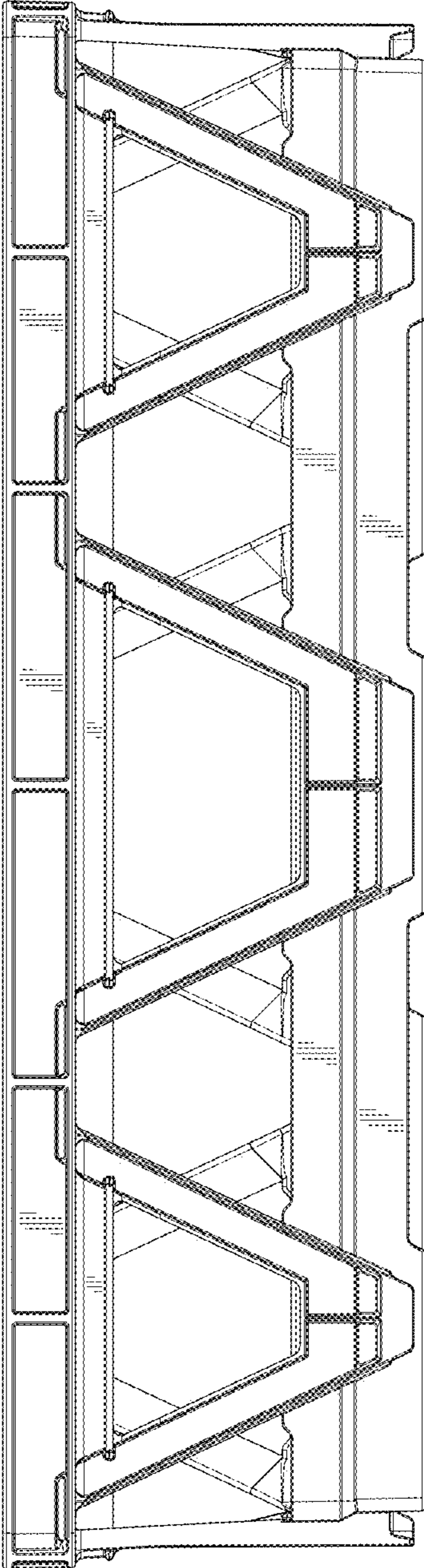


FIG. 5

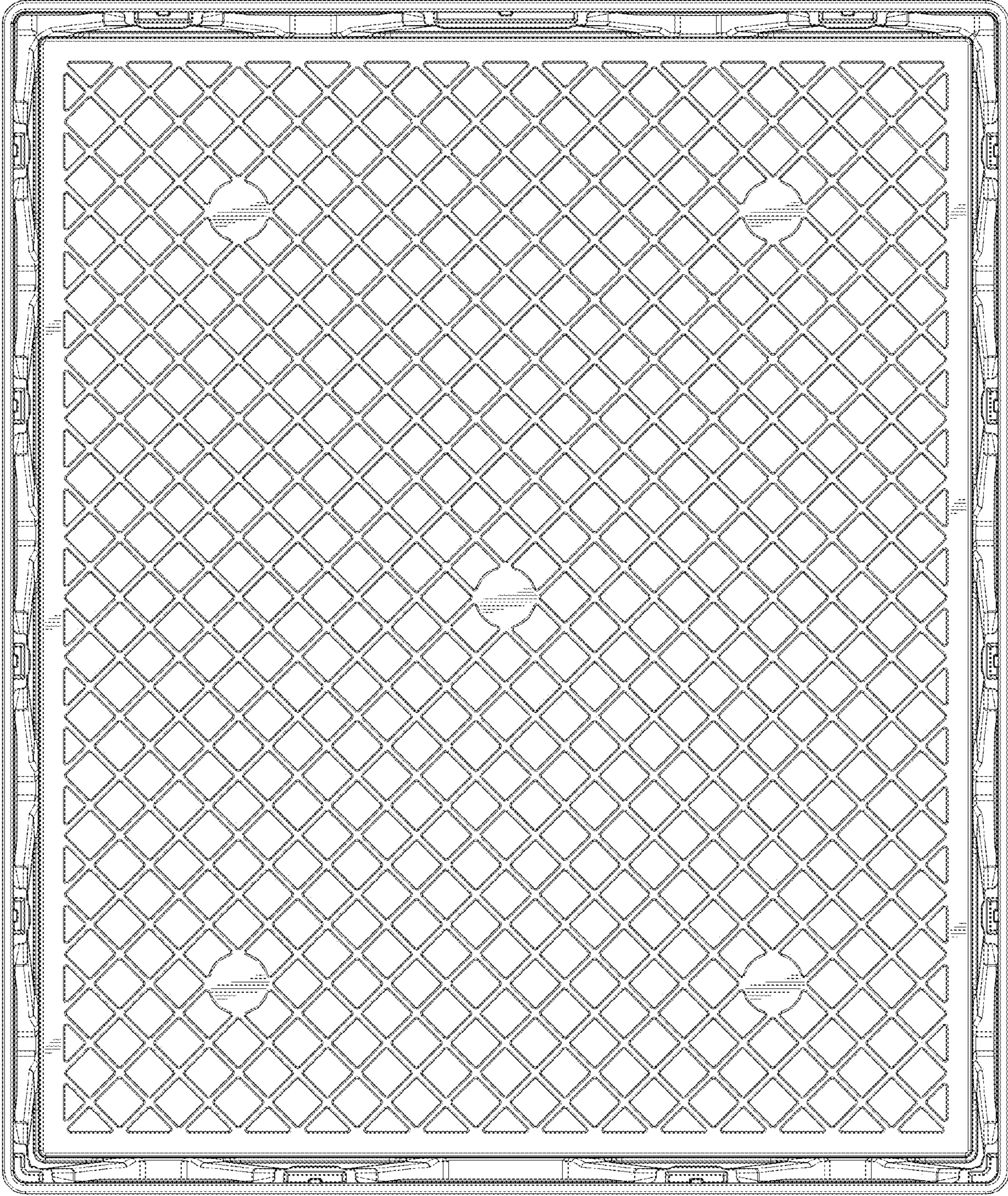


FIG. 6

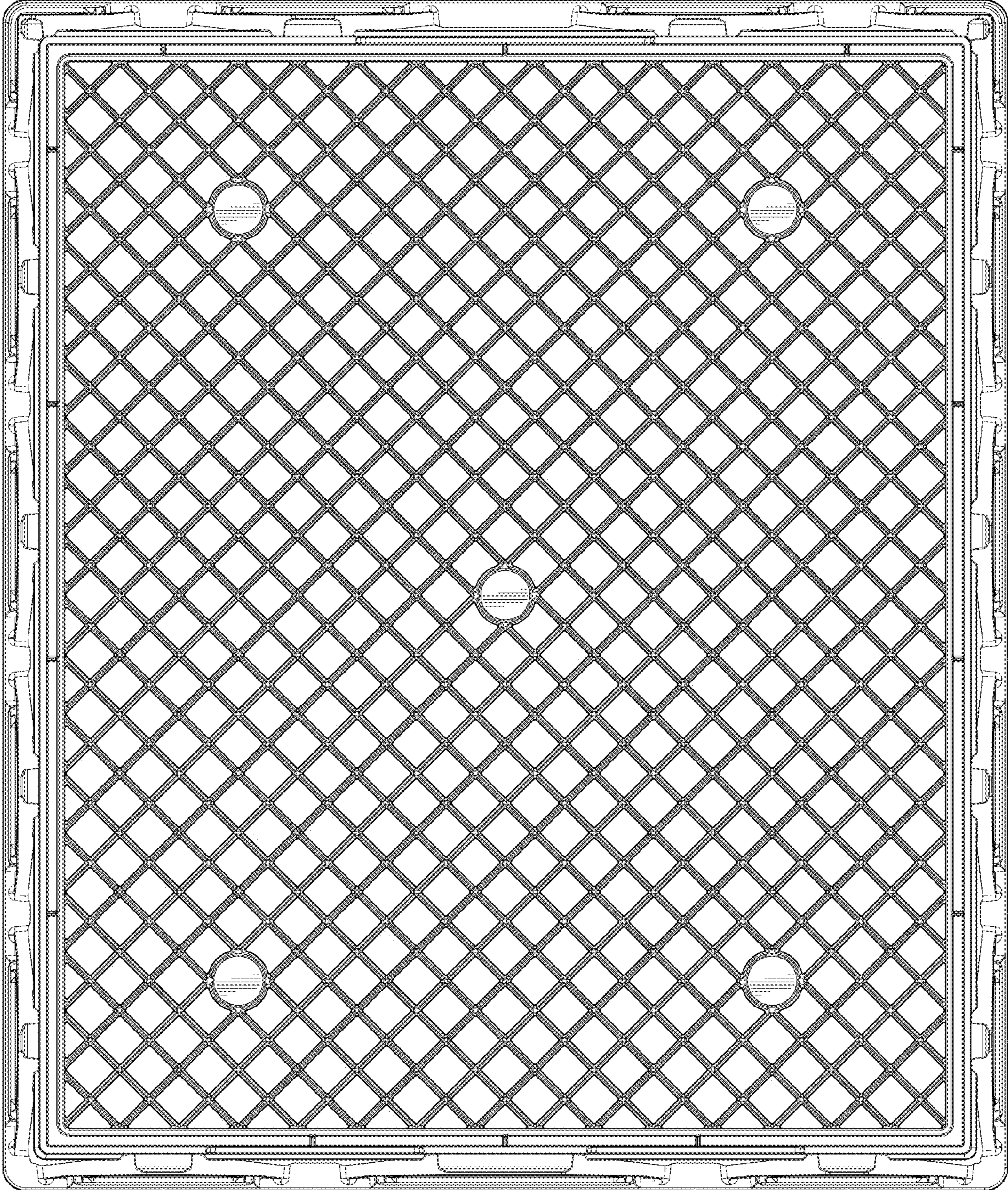


FIG. 7

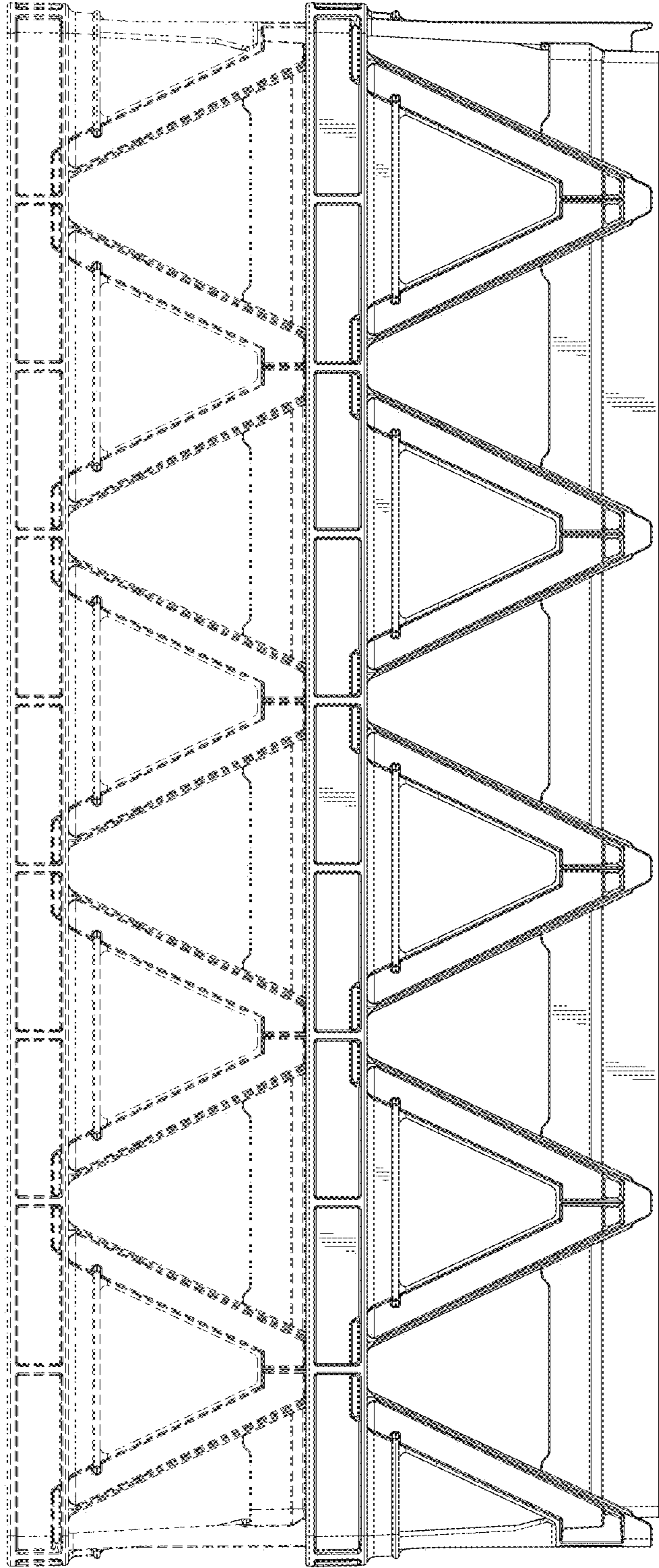


FIG. 8

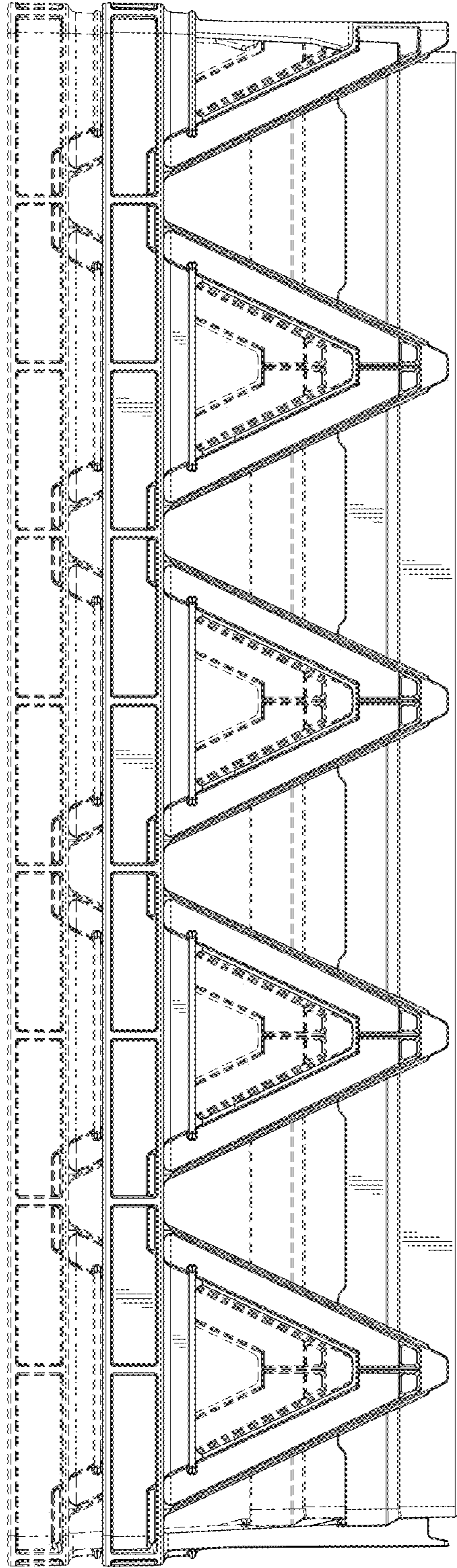


FIG. 9

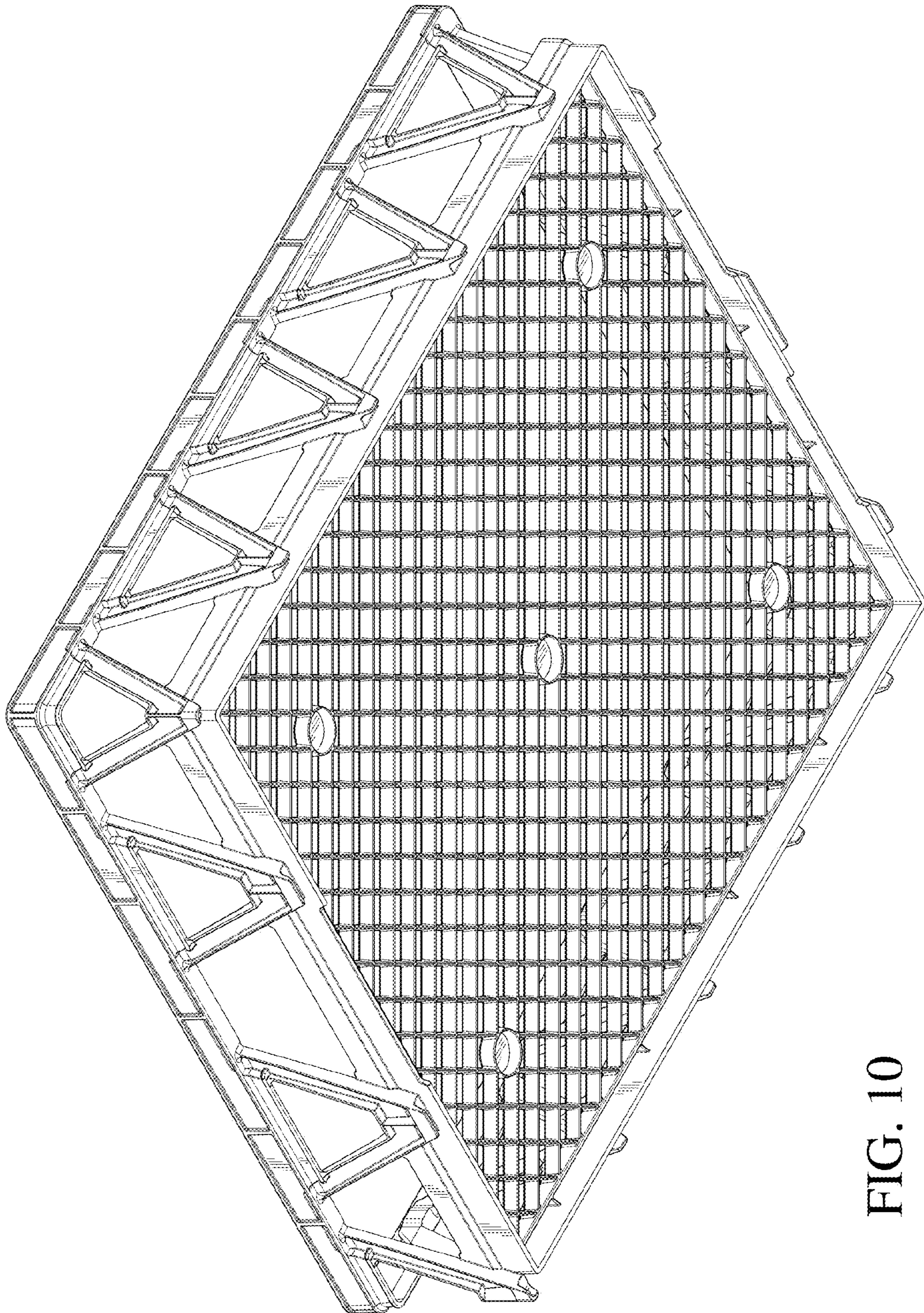


FIG. 10