



US00D925911S

(12) **United States Design Patent** (10) **Patent No.:** **US D925,911 S**
Sun (45) **Date of Patent:** **** Jul. 27, 2021**

(54) **SUITCASE**

(71) Applicant: **HEBEI ZHONGXING RUNCHENG LUGGAGE GROUP CO., LTD,**
Shijiazhuang (CN)

(72) Inventor: **Jiacheng Sun,** Shijiazhuang (CN)

(73) Assignee: **HEBEI ZHONGXING RUNCHENG LUGGAGE GROUP CO., LTD,**
Shijiazhuang (CN)

(**) Term: **15 Years**

(21) Appl. No.: **29/719,013**

(22) Filed: **Dec. 31, 2019**

(51) **LOC (13) Cl.** **03-01**

(52) **U.S. Cl.**
USPC **D3/279**

(58) **Field of Classification Search**
USPC D3/203.1, 203.2, 203.5, 203.6, 206, 254,
D3/263, 267, 268, 273, 276, 279,
D3/281-283, 286, 289-291, 293, 294,
D3/299-301, 303, 321, 902, 232, 233,
D3/245; D7/602, 629; D27/183, 185,
D27/186, 189, 191; D99/28, 43
CPC B62K 23/02; B62K 3/002; A45C 3/22;
A45C 3/02; A45C 2003/008; A45C 5/00;
A45C 5/02; A45C 5/03; A45C 5/04;
A45C 5/06; A45C 5/14; A45C 5/005;
A45C 2005/032; A45C 2005/035; A45C
2005/037; A45C 2005/142; A45C
2005/148; A45C 7/00; A45C 7/0018;
A45C 7/0036; A45C 9/00; A45C
2009/005; A45C 2011/003; A45C 13/28;
A45C 13/36; A45C 13/385; A45C
13/1084; A45C 2200/15
See application file for complete search history.

(56) **References Cited**

U.S. PATENT DOCUMENTS

D563,101 S * 3/2008 Kuchler D3/279
D710,608 S * 8/2014 Yoneno D3/279

D711,646 S * 8/2014 Ke D3/279
D712,658 S * 9/2014 Lai D3/279
D724,323 S * 3/2015 Wang D3/321
D733,428 S * 7/2015 Sijmons D3/279
(Continued)

FOREIGN PATENT DOCUMENTS

EM EU007466115-0001 * 1/2020

OTHER PUBLICATIONS

Hardside Rolling Trolley Classic Striped Luggage, unknown first available date, m.zuouu-luggage.com [online], [site visited Apr. 8, 2021], Available at internet URL: http://m.zuouu-luggage.com/showroom/Hardside-Rolling-Trolley-Classic-Striped-Luggage-Travel-Suitcase-Checked-Luggage.html (Year: 2021).*

(Continued)

Primary Examiner — Jeffrey D Asch
Assistant Examiner — Caitlin Ann Laverty
(74) *Attorney, Agent, or Firm* — Li & Cai Intellectual Property (USA) Office

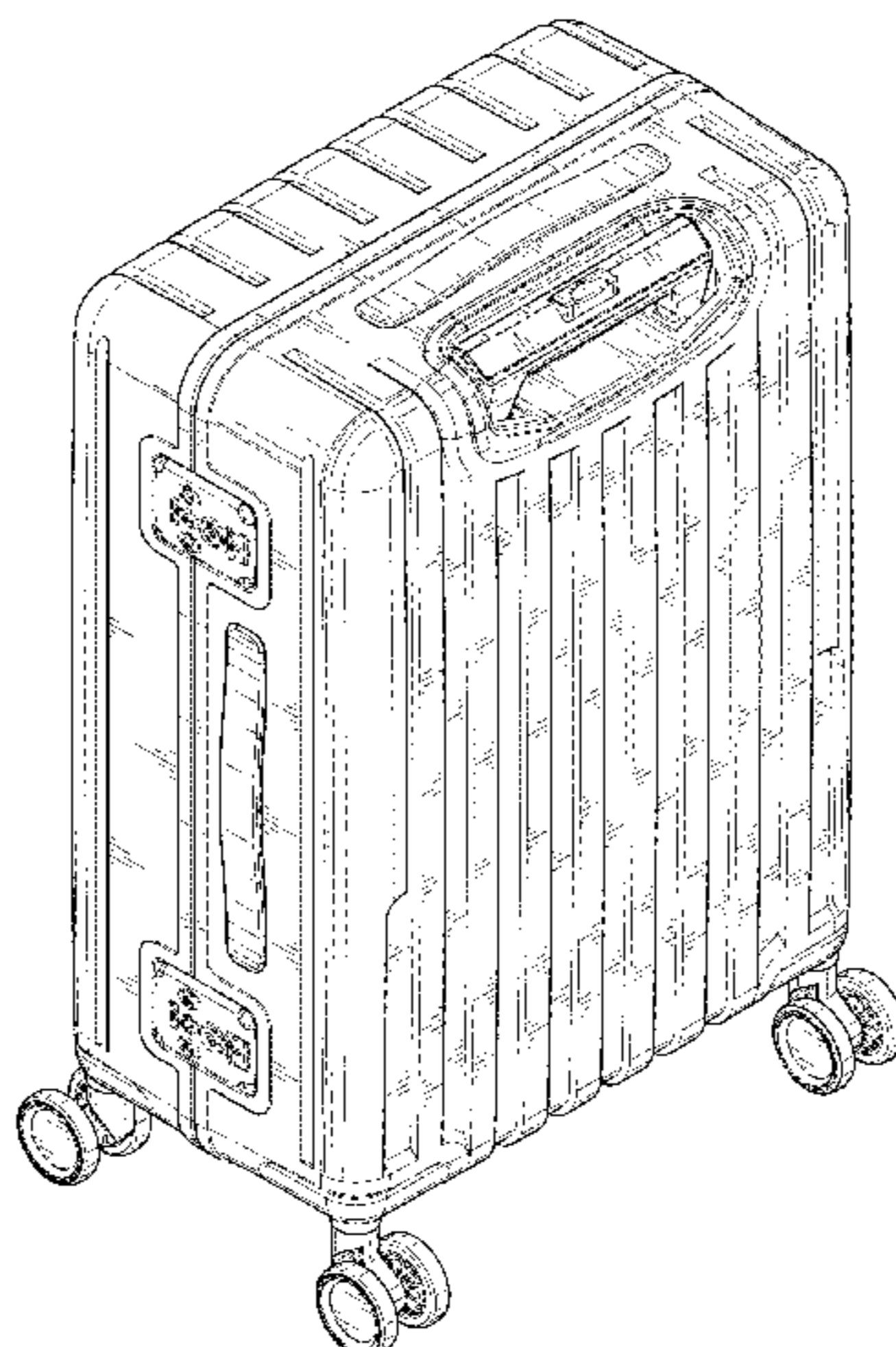
(57) **CLAIM**

The ornamental design for a suitcase, as shown and described.

DESCRIPTION

FIG. 1 is a front, right and top perspective view of a suitcase showing my new design;
FIG. 2 is a front elevational view thereof;
FIG. 3 is a rear elevational view thereof;
FIG. 4 is a left side elevational view thereof;
FIG. 5 is a right side elevational view thereof;
FIG. 6 is a top plan view thereof; and,
FIG. 7 is a bottom plan view thereof.
The broken lines depict portions of the suitcase in which the design is embodied that forms no part of the claimed design.

1 Claim, 7 Drawing Sheets



(56)

References Cited

U.S. PATENT DOCUMENTS

D741,600 S * 10/2015 Della Vecchia D3/321
D755,518 S * 5/2016 Sijmons D3/279
D783,282 S * 4/2017 Sijmons D3/279
D791,477 S * 7/2017 Liu D3/279
D805,772 S * 12/2017 Oshima D3/279
D849,403 S * 5/2019 Tong D3/279
D852,505 S * 7/2019 Chen D3/279
D862,880 S * 10/2019 Evangelista D3/279
D902,585 S * 11/2020 Chen D3/279
D907,920 S * 1/2021 Li D3/279
D909,062 S * 2/2021 Qian D3/279
2014/0065335 A1 * 3/2014 Chen B32B 27/065
428/36.5
2016/0286912 A1 * 10/2016 Morszeck B32B 3/30
2017/0079398 A1 * 3/2017 Reh A45C 5/03
2017/0332755 A1 * 11/2017 Chiang A45C 7/0031

OTHER PUBLICATIONS

3-in-1 Multifunctional Large Capacity Storage Suitcase Luggage Set, unknown first available date, overstock.com [online], [site visited Apr. 8, 2021], Available at internet URL: <https://www.overstock.com/Luggage-Bags/3-in-1-Multifunctional-Large-Capacity-Traveling-Storage-Suitcase-Luggage-Set/32573751/product.html?kwds=&refccid=V22KQRRRJCC32SCBYZM7ZTUHVI&rfmt=pattern%3AStripe&searchidx=7> (Year: 2021).*

* cited by examiner



FIG. 1

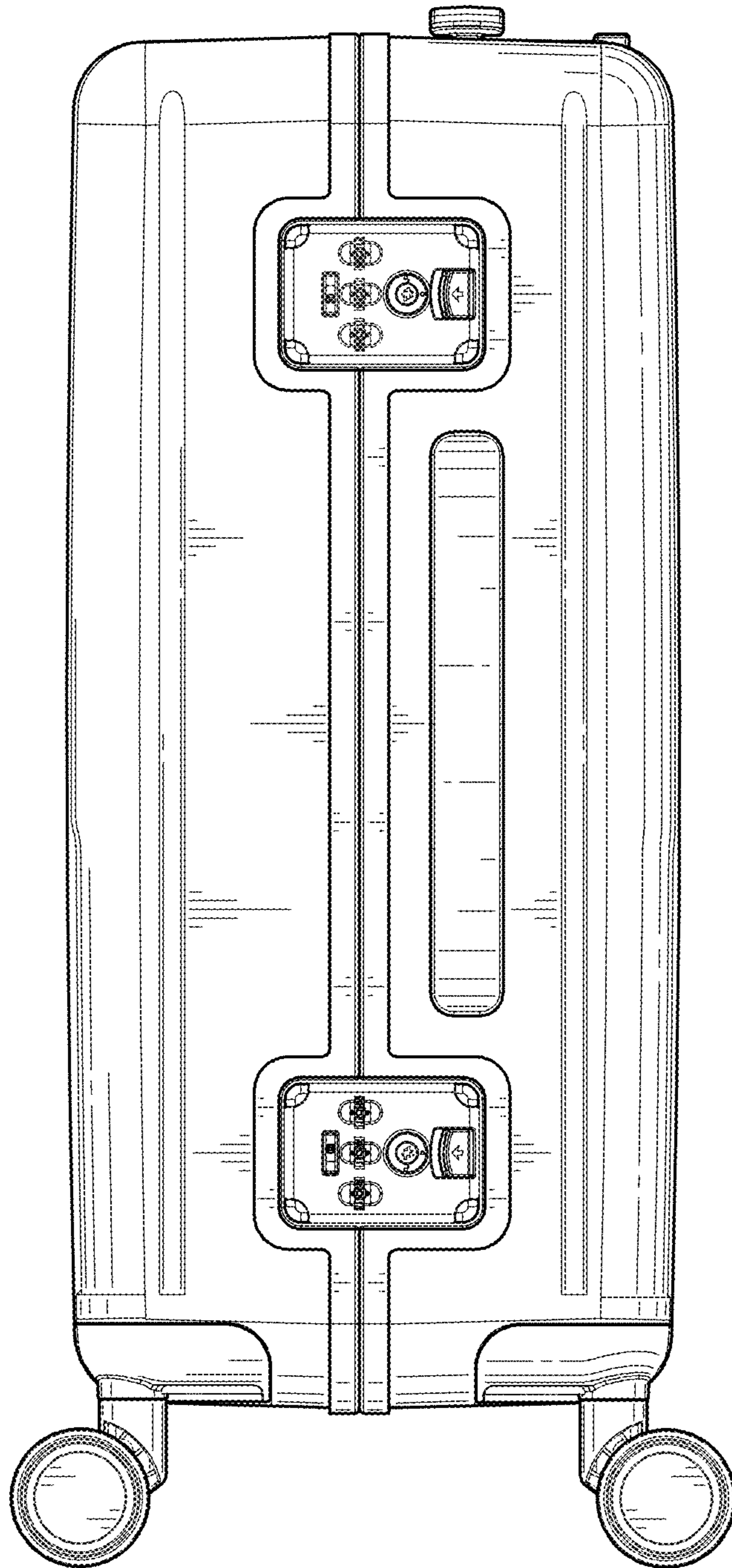


FIG. 2

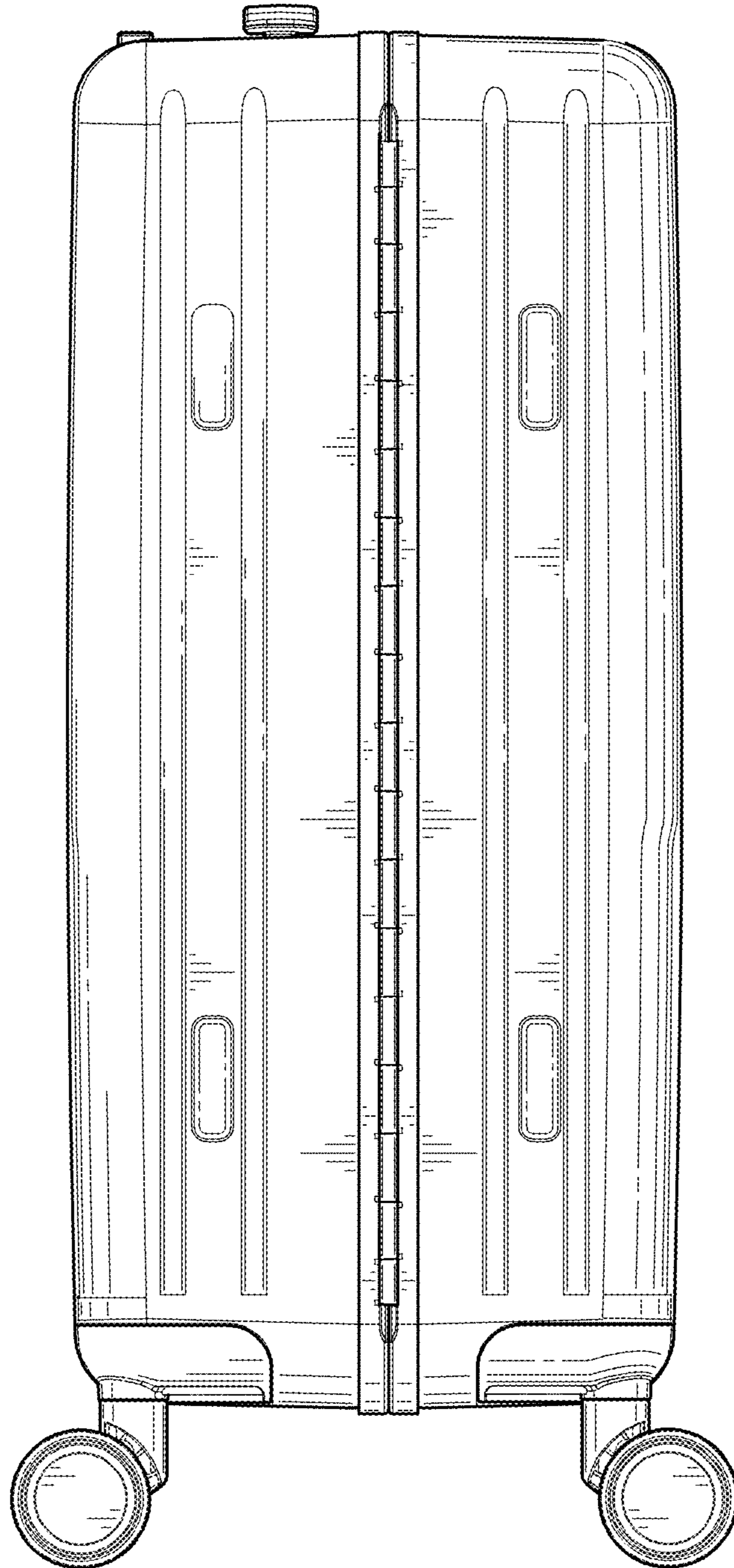


FIG. 3

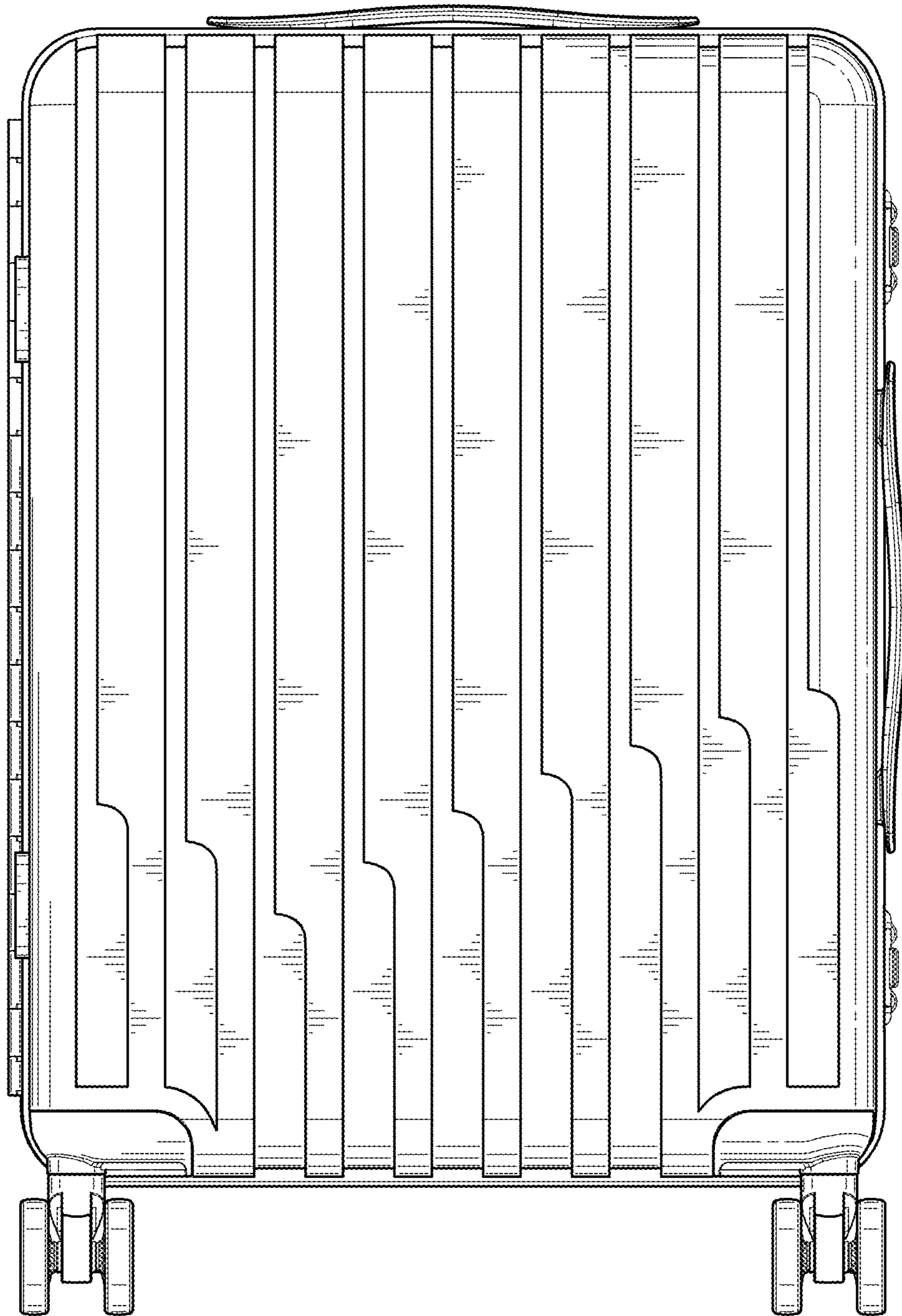


FIG. 4

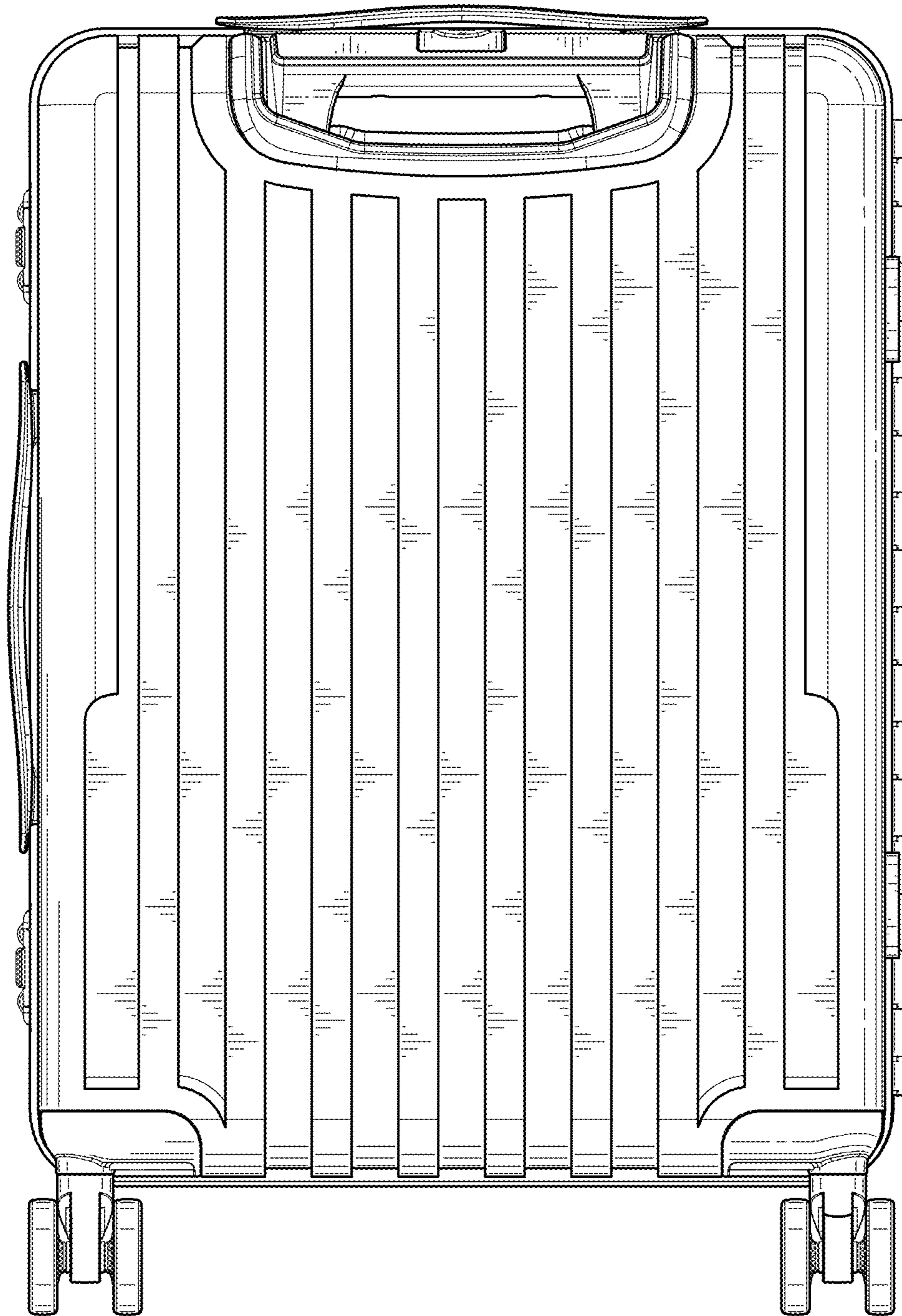


FIG. 5

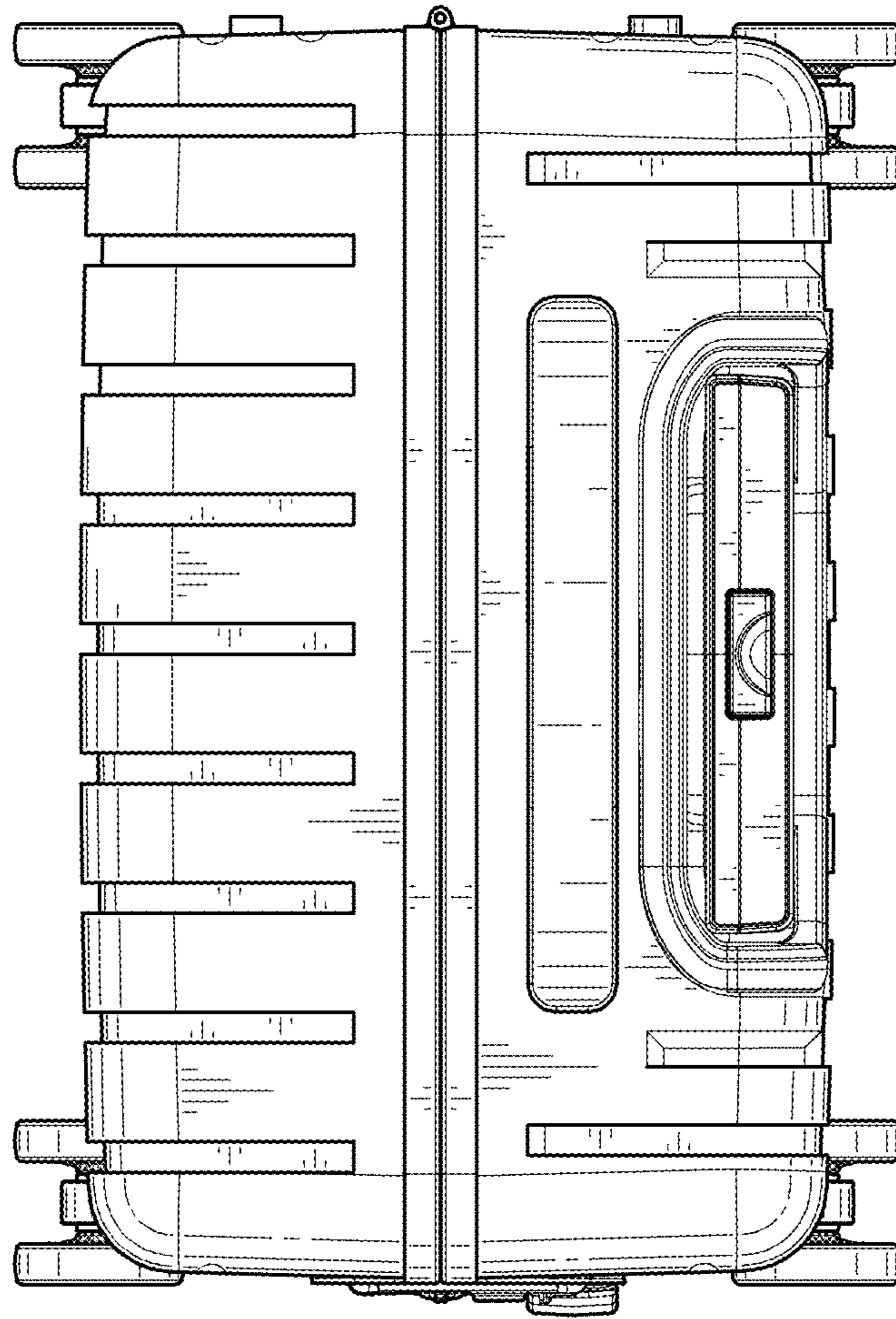


FIG. 6

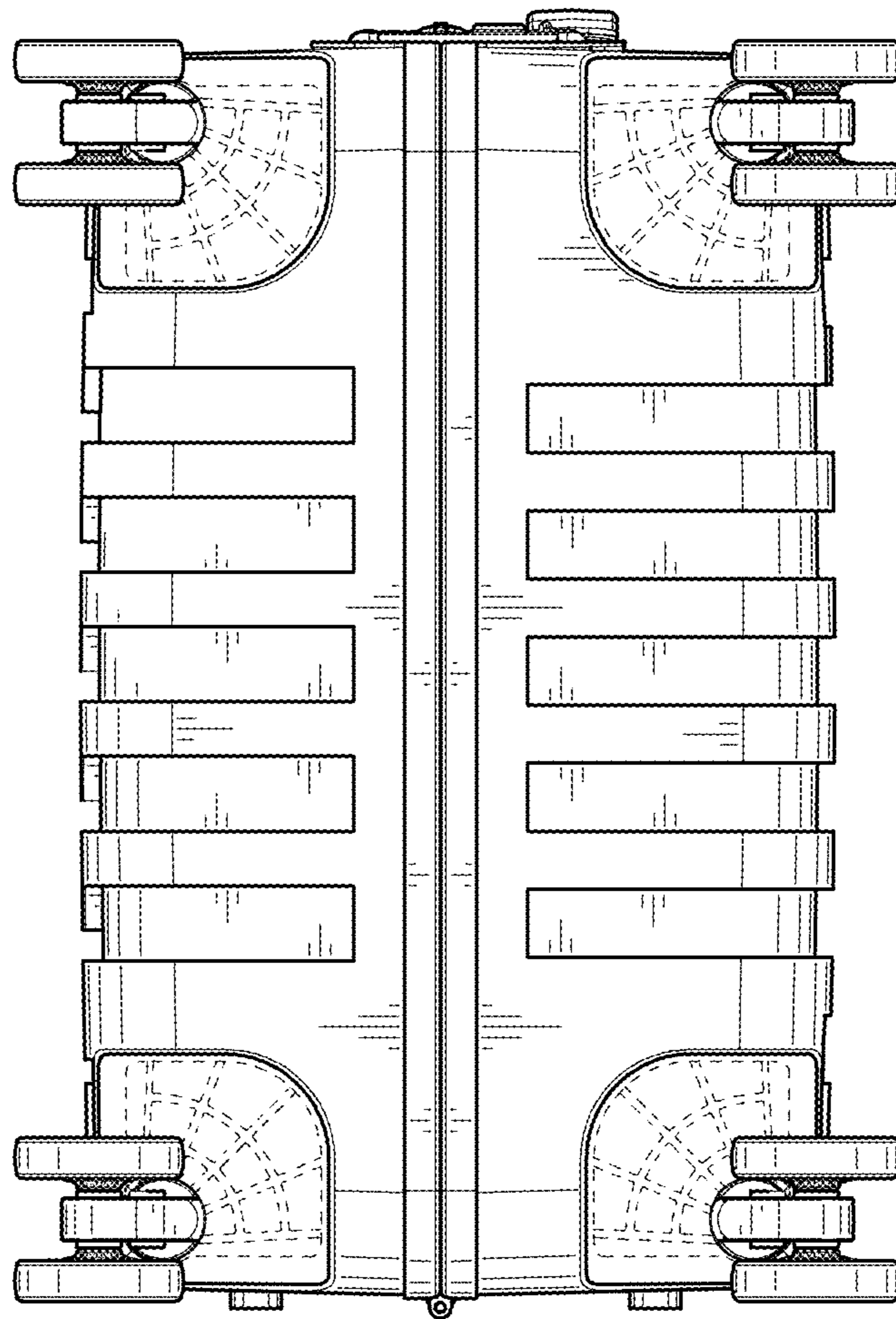


FIG. 7