



US00D925908S

(12) **United States Design Patent** (10) **Patent No.:** **US D925,908 S**
Knoll (45) **Date of Patent:** **** Jul. 27, 2021**

(54) **PICNIC BACKPACK**

(71) Applicant: **Allen Knoll**, Doral, FL (US)

(72) Inventor: **Allen Knoll**, Doral, FL (US)

(**) Term: **15 Years**

(21) Appl. No.: **29/750,848**

(22) Filed: **Sep. 16, 2020**

(51) **LOC (13) Cl.** **03-01**

(52) **U.S. Cl.**
USPC **D3/217**

(58) **Field of Classification Search**
USPC D3/216, 217
CPC A45C 11/008; A45C 13/02; A45C 3/00;
A45C 7/0077; A45C 7/0095; A45F 3/04
See application file for complete search history.

(56) **References Cited**

U.S. PATENT DOCUMENTS

D249,594 S *	9/1978	Stewart	D3/217
4,673,117 A *	6/1987	Calton	A45C 11/20 224/148.3
D316,177 S *	4/1991	Strimpfel	D3/202
D339,225 S *	9/1993	Zel	D3/217
D339,912 S *	10/1993	Delauter	D2/866
5,407,112 A *	4/1995	Christodoulou	A41D 15/04 2/94
5,649,658 A *	7/1997	Hoffman	A45F 3/04 190/2
D382,110 S	8/1997	Pollari		
D446,008 S *	8/2001	Schulze	D3/216
8,123,090 B2	2/2012	Missick		
D691,793 S	10/2013	Anigwe		
D692,654 S	11/2013	Irwin		
8,593,108 B2	11/2013	Ferber		
D698,542 S	2/2014	January		
D702,434 S	4/2014	Chalk		
D742,631 S *	11/2015	Kim	D3/217
9,351,557 B2	5/2016	Inouye		
D764,873 S	8/2016	Collie		

(Continued)

OTHER PUBLICATIONS

California Picnic Store Picnic Backpack for 4, reviewed on Amazon May 2018, Available at URL:https://www.amazon.com/Backpack-Portable-Complete-Stainless-Waterproof/dp/B072M2ZWQB/ref=sr_1_11?dchild=1&keywords=picnic+backpack&qid=1605728944&sr=8-11.*

(Continued)

Primary Examiner — Jennifer L Watkins
(74) *Attorney, Agent, or Firm* — QuickPatents, LLC;
Kevin Prince

(57) **CLAIM**

The ornamental design for a picnic backpack, as shown and described.

DESCRIPTION

FIG. 1 is a perspective view of a picnic backpack, showing my new design in a closed configuration;
FIG. 2 is a front elevational view of FIG. 1;
FIG. 3 is a rear elevational view of FIG. 1;
FIG. 4 is a left-side elevational view of FIG. 1;
FIG. 5 is a right-side elevational view of FIG. 1;
FIG. 6 is a top plan view of FIG. 1;
FIG. 7 is a bottom plan view of FIG. 1;
FIG. 8 is a rear perspective view of FIG. 1;
FIG. 9 is a perspective view thereof, illustrated in an open configuration;
FIG. 10 is a front elevational view of FIG. 9;
FIG. 11 is a rear elevational view of FIG. 9;
FIG. 12 is a left-side elevational view of FIG. 9;
FIG. 13 is a right-side elevational view of FIG. 9;
FIG. 14 is a top plan view of FIG. 9; and,
FIG. 15 is a bottom plan view of FIG. 9.
The circle of broken lines shown in FIGS. 6 and 14 inside the left side pocket depict the claim boundary and form no part of the claim. The subject matter inside the broken line circle forms no part of the claim.

1 Claim, 15 Drawing Sheets



(56)

References Cited

U.S. PATENT DOCUMENTS

D770,761 S 11/2016 Deioma
 D772,562 S 11/2016 Petre
 D781,575 S 3/2017 Etekochay
 D791,473 S * 7/2017 Herrera D3/217
 D796,187 S 9/2017 Bogue
 D796,188 S 9/2017 Ho
 D812,897 S 3/2018 Cheung
 D819,328 S 6/2018 Muhlenkamp, IV
 D833,141 S 11/2018 Carter
 D835,397 S 12/2018 Kawamoto
 D841,318 S 2/2019 Carter
 D853,107 S 7/2019 Lyons
 D855,311 S 8/2019 Bergquist
 D856,662 S 8/2019 Breines
 D867,823 S 11/2019 Jacobsen
 D872,992 S 1/2020 He
 D874,129 S 2/2020 Goldstein
 D880,847 S 4/2020 Huang
 D880,952 S 4/2020 Mitchell
 D885,042 S 5/2020 Li
 D889,821 S 7/2020 Xu
 D890,515 S 7/2020 Oviedo Polanco

D890,518 S * 7/2020 Smith D3/217
 D891,092 S 7/2020 Brahmbhatt
 D891,759 S 8/2020 Smith
 D893,878 S 8/2020 Mather
 2010/0019007 A1 1/2010 Wagner
 2011/0290842 A1 12/2011 Esref
 2012/0043358 A1 2/2012 Kelly

OTHER PUBLICATIONS

Picnic at Ascot Store, Deluxe Equipped 4 person Picnic Backpack, first available on Amazon Feb. 2014, Available at URL: <https://www.amazon.com/Bold-Picnic-Backpack-Blanket-4/dp/B00IKIYPVE?th=1>.*

Real Simple Picnic Backpacks Are the New Picnic Basket—Here are 7 We Love, updated May 30, 2019, Available at URL: <https://www.realsimple.com/home-organizing/decorating/outdoor-living/picnic-backpacks>.*

“Picnic Backpack for 4” downloaded from the Internet at “<https://www.inpicnic.com/products/picnic-backpack-for-4>” on Sep. 3, 2020. Applicant owns the INPICNIC brand, and this is the applicant’s product listing, which first went live on Oct. 10, 2019.

* cited by examiner



FIG. 1

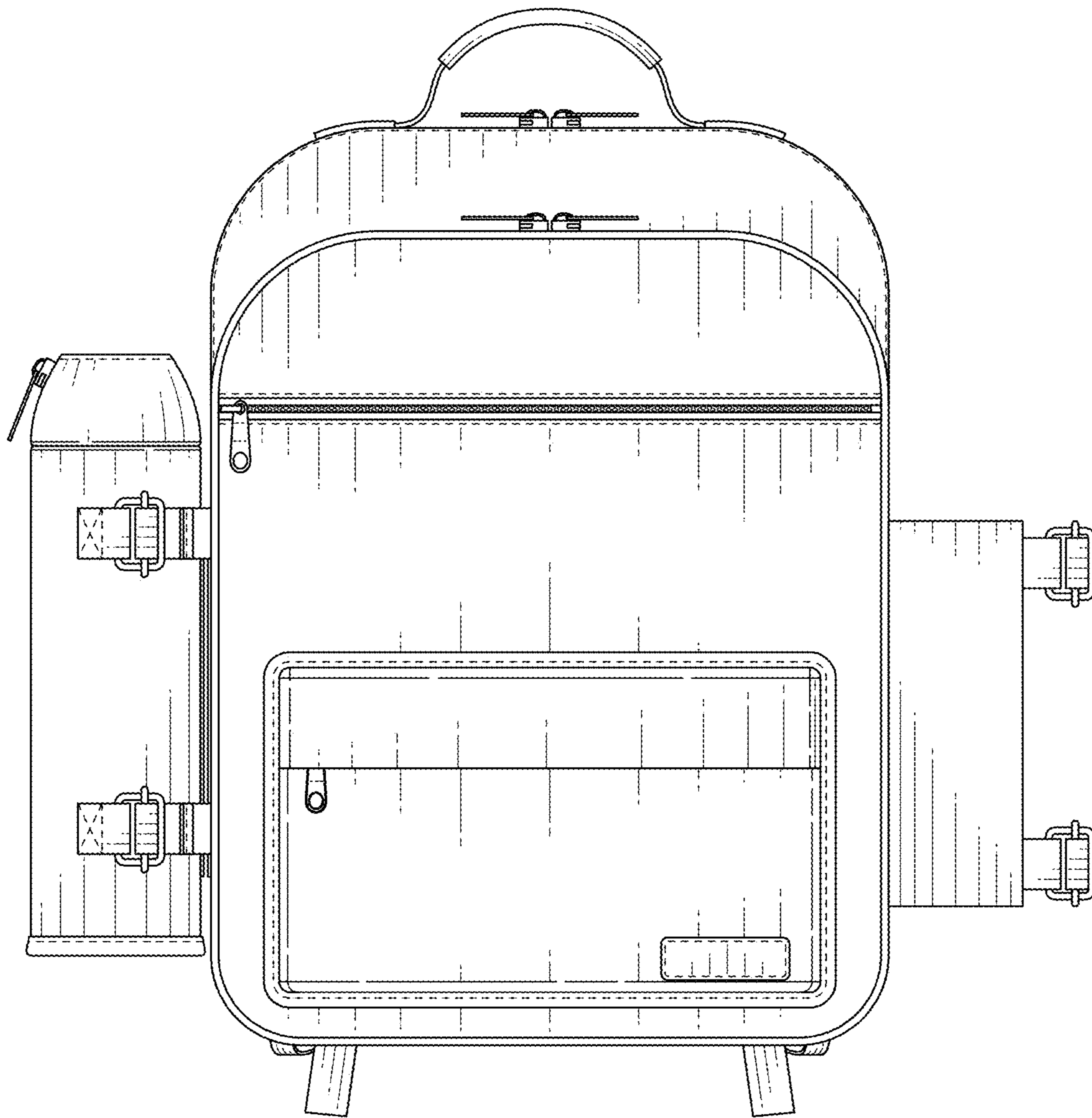


FIG. 2

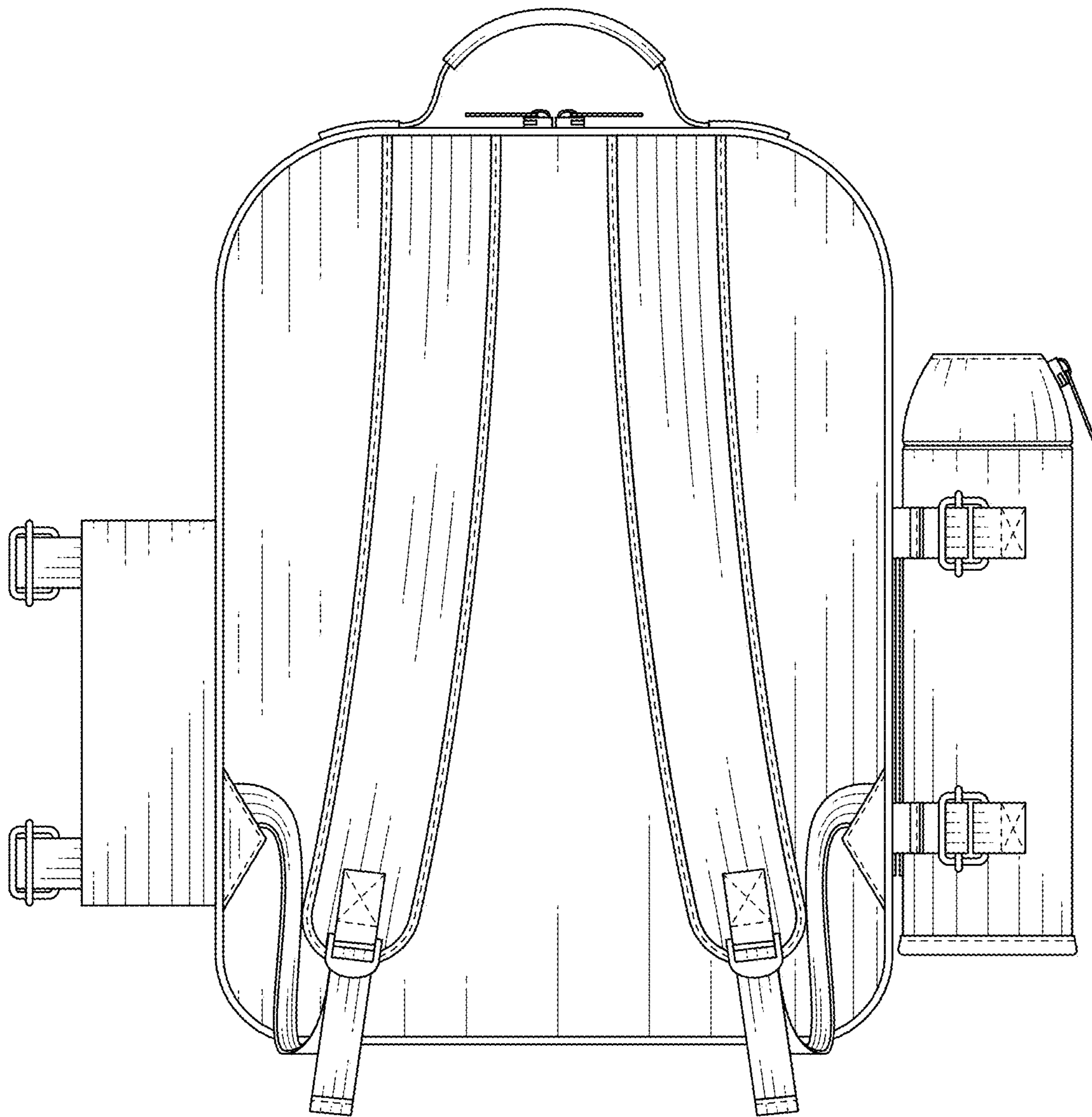


FIG. 3

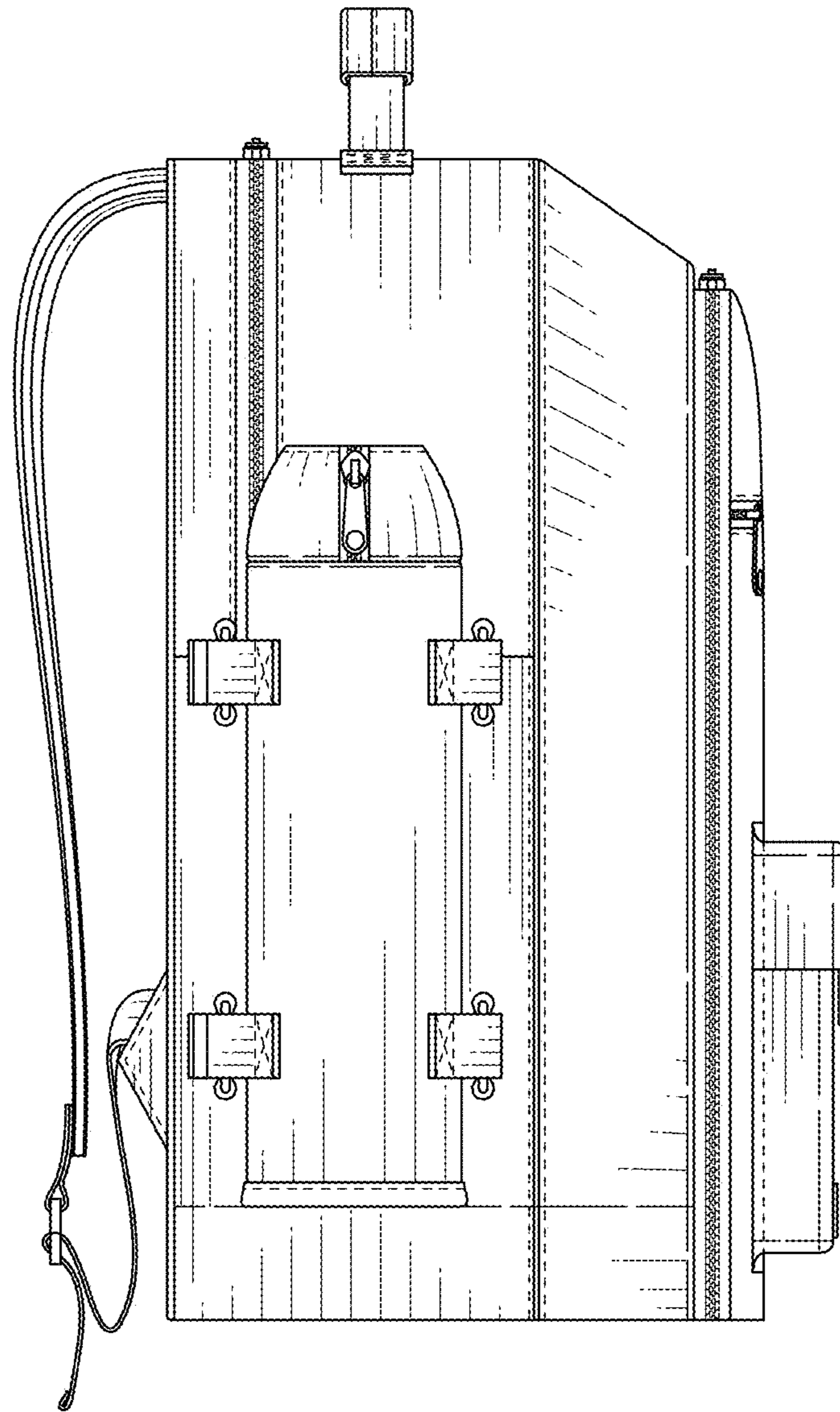


FIG. 4

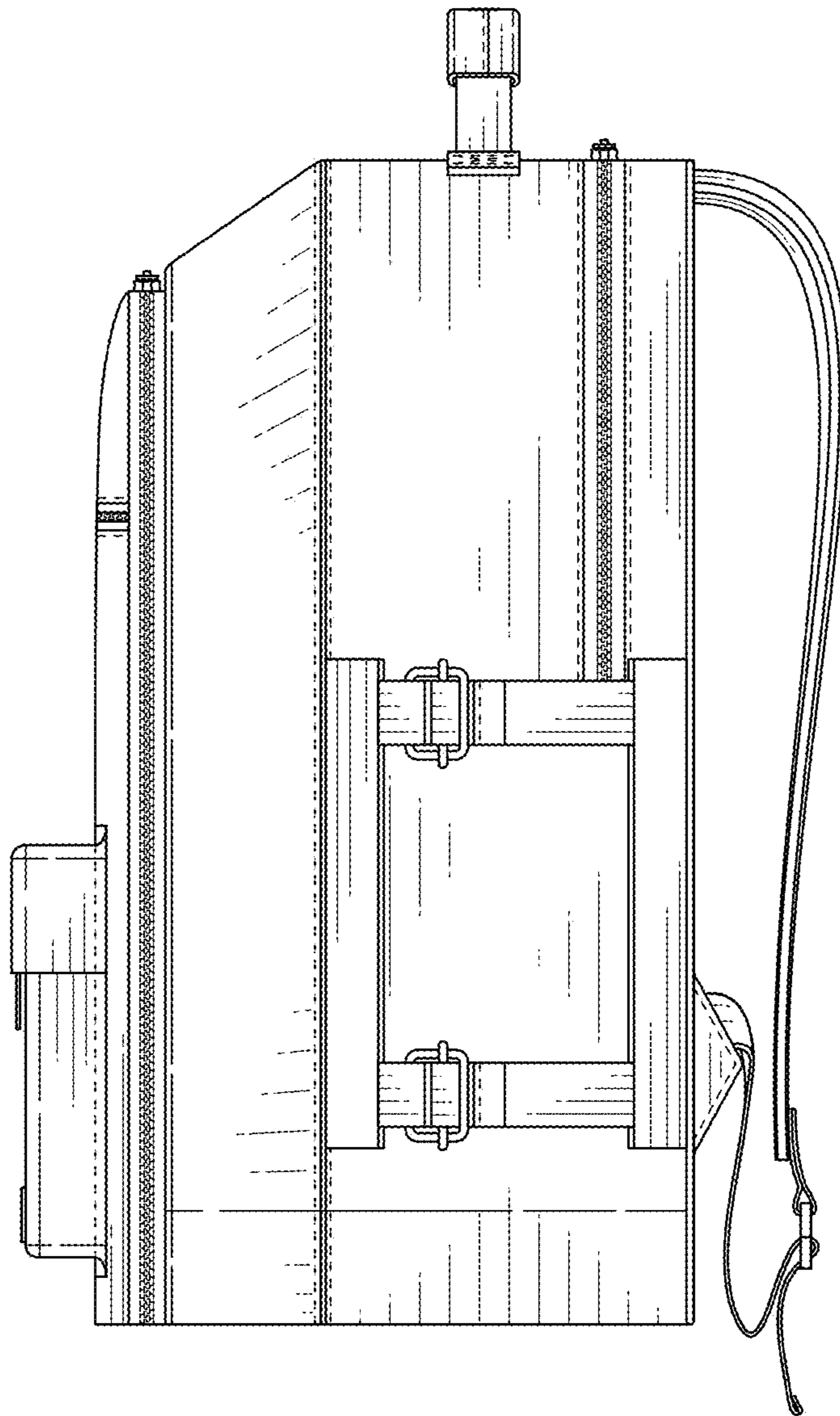


FIG. 5

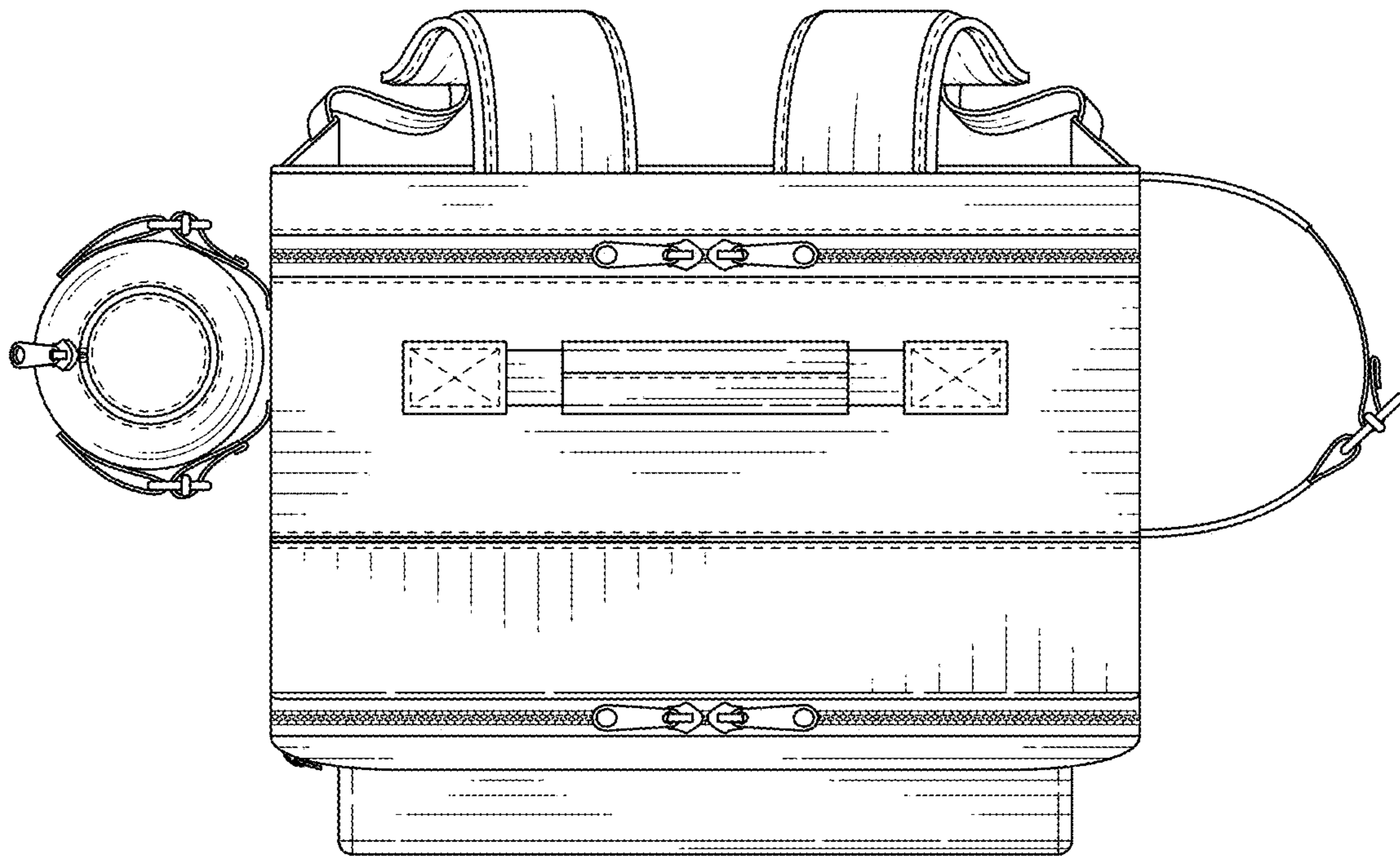


FIG. 6

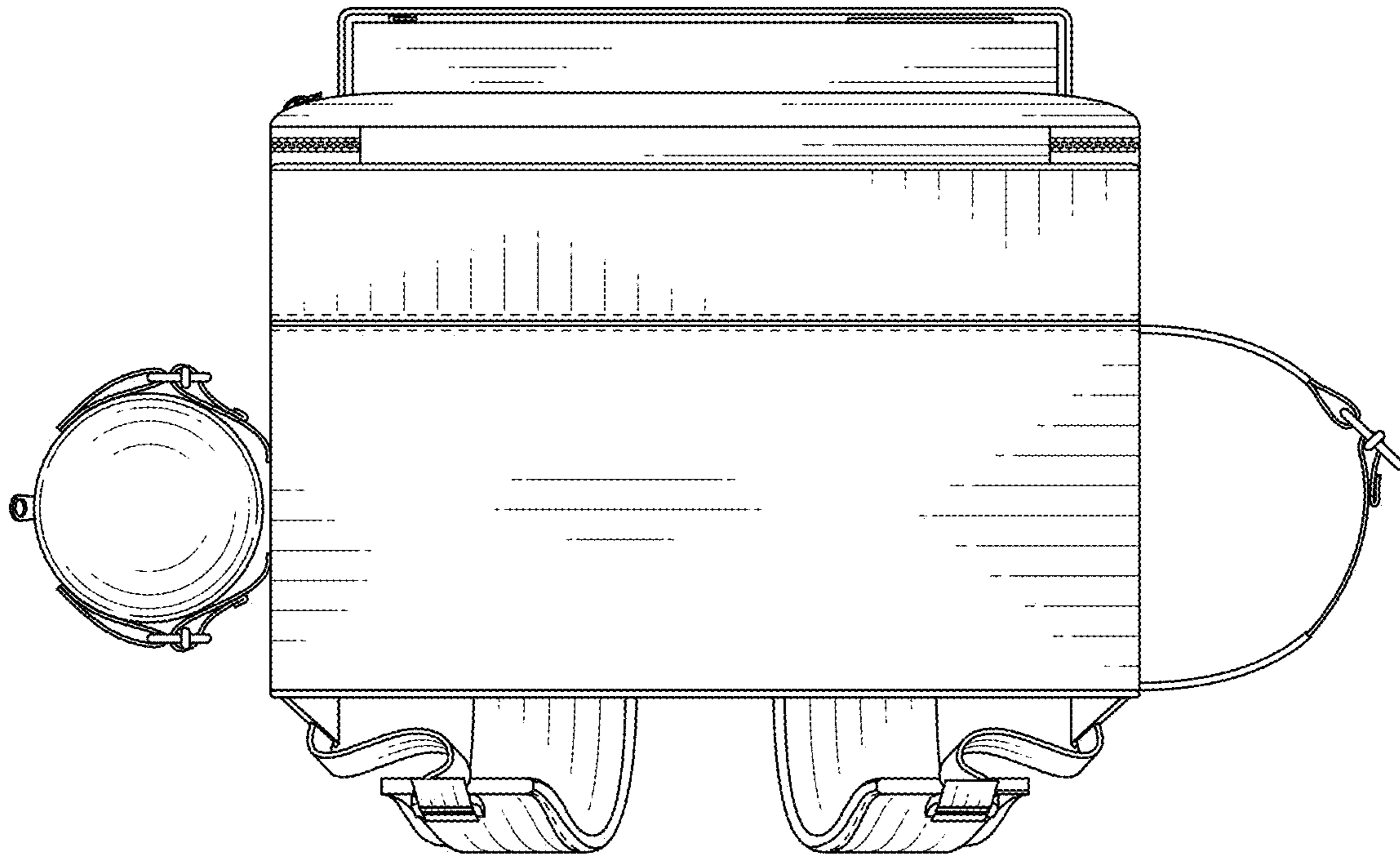


FIG. 7



FIG. 8

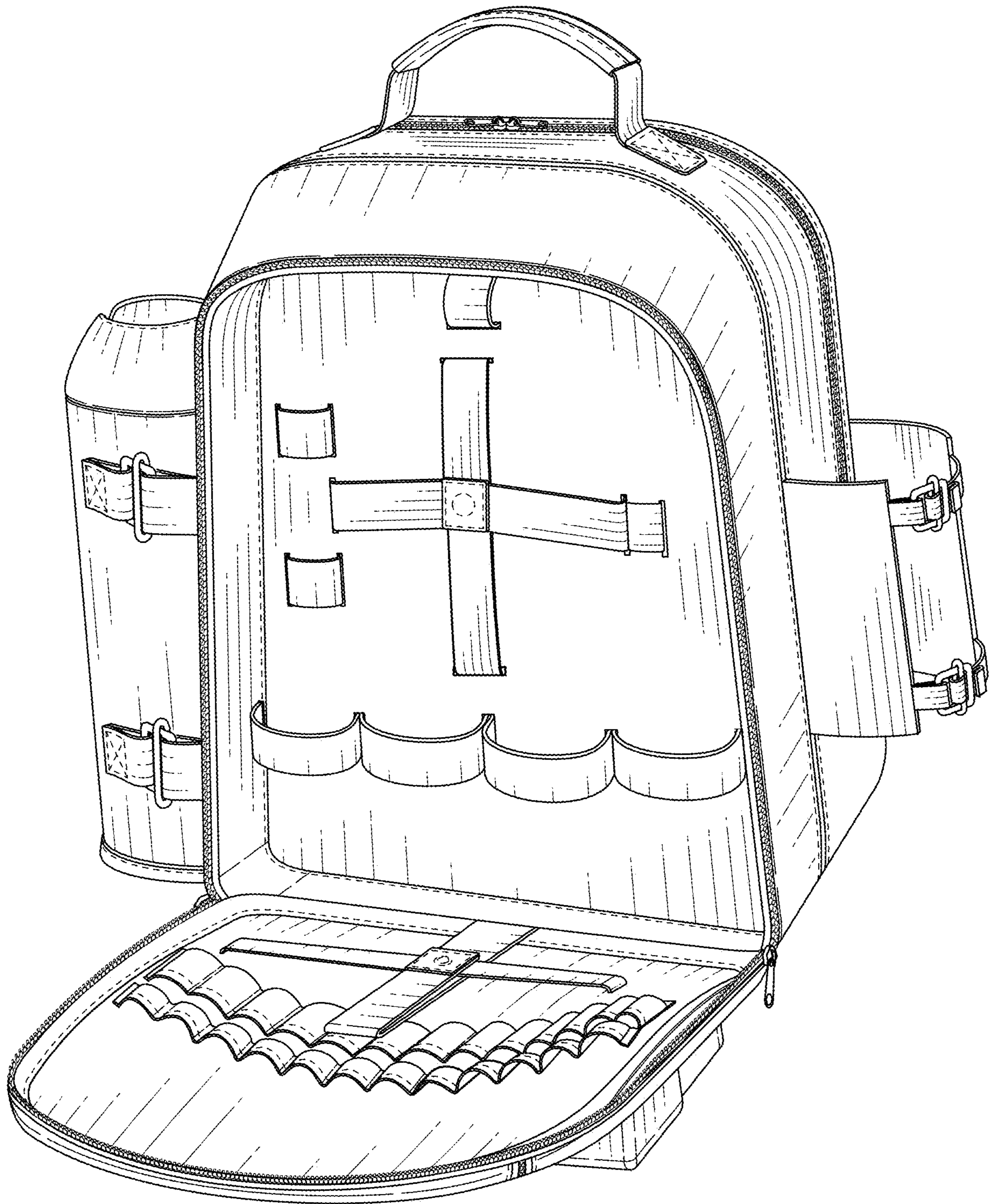


FIG. 9

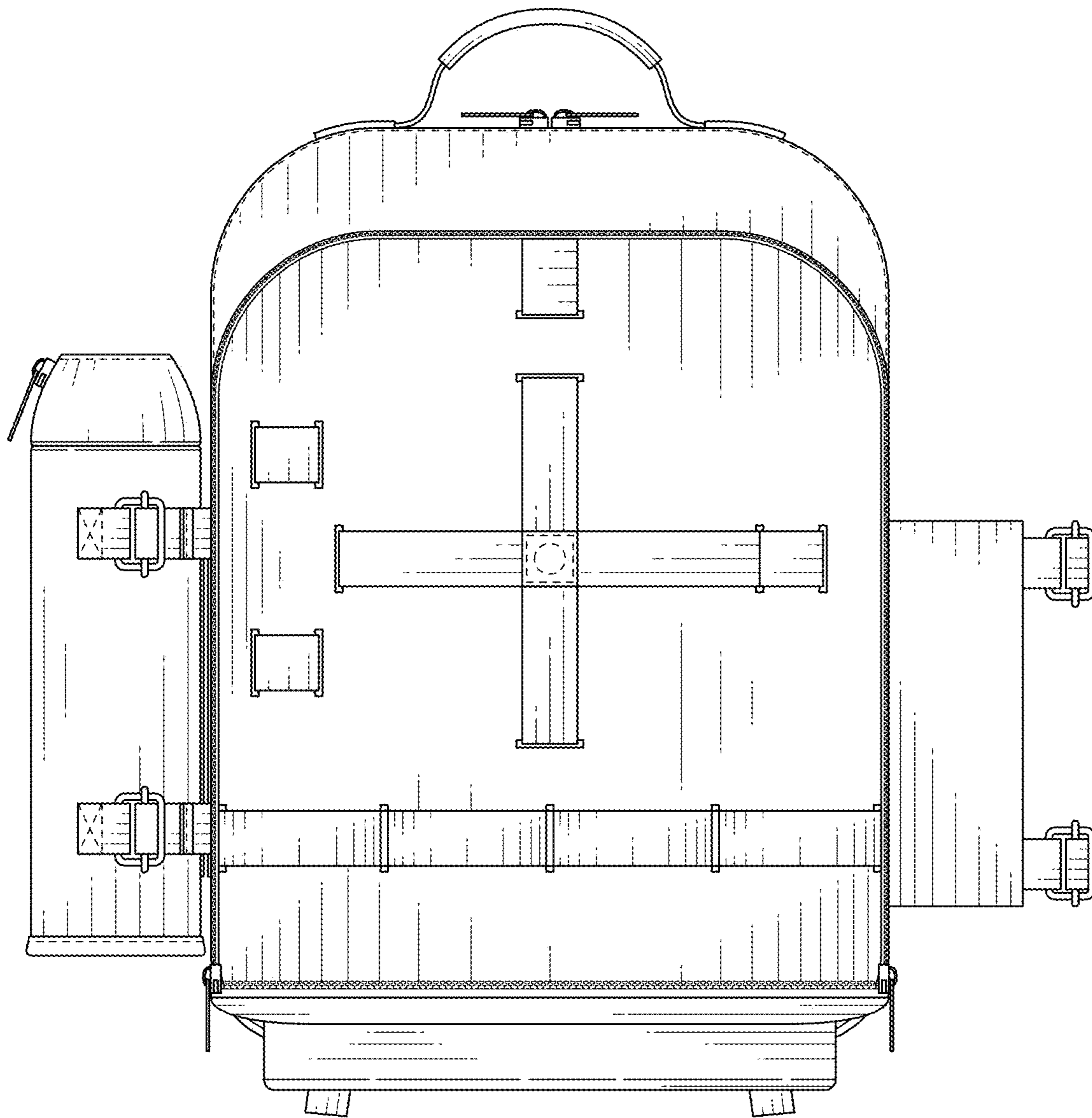


FIG. 10

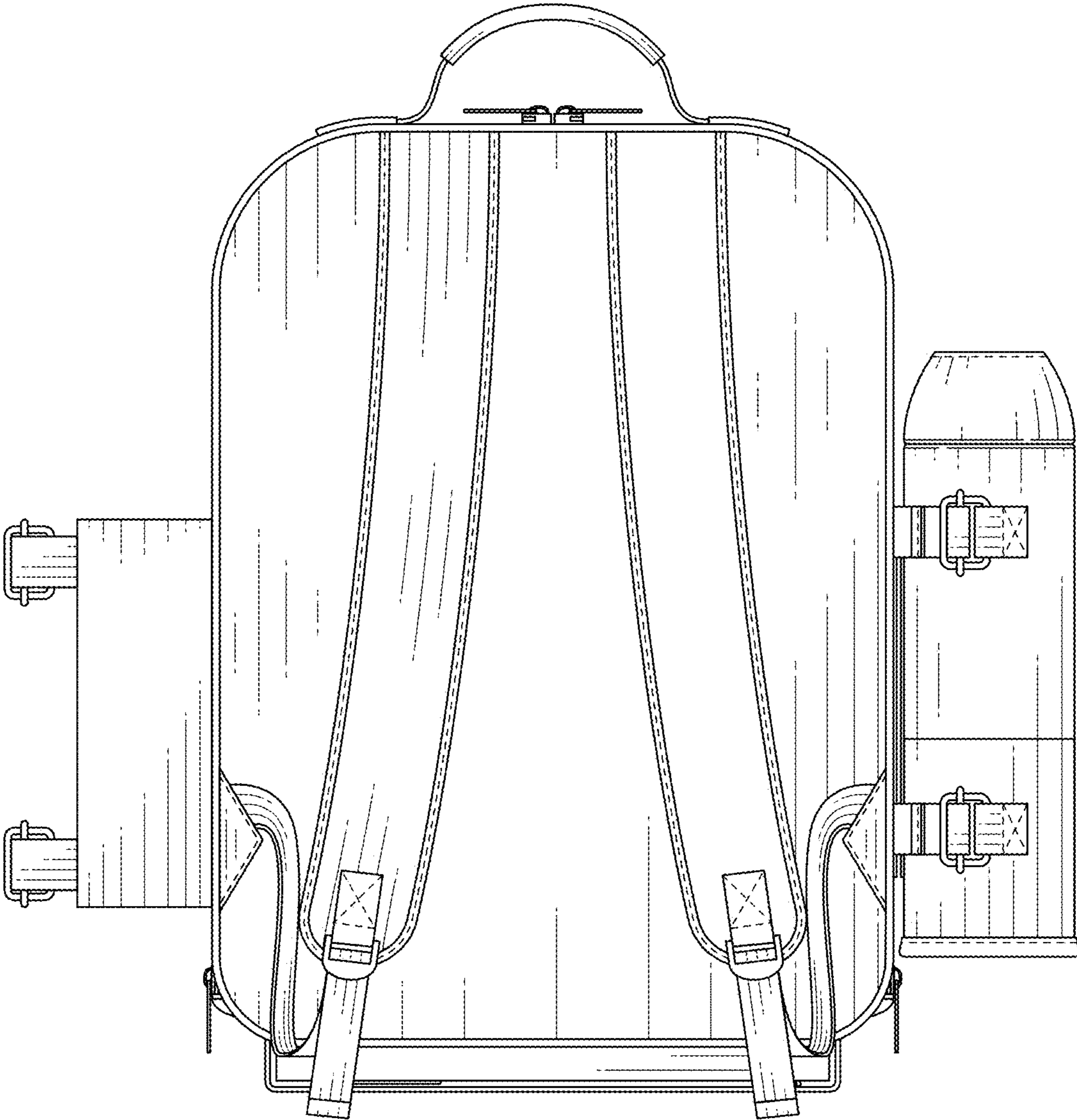


FIG. 11

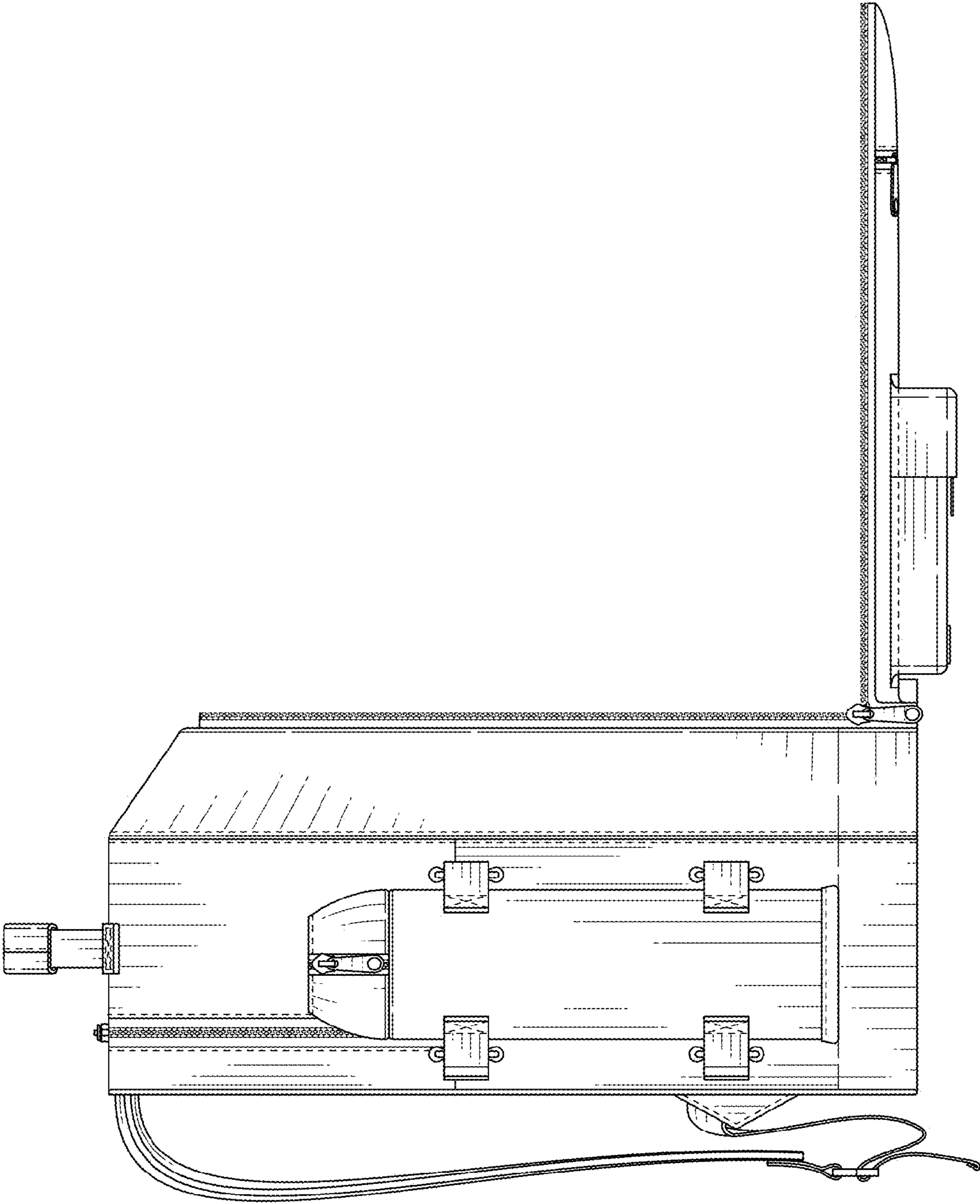


FIG. 12

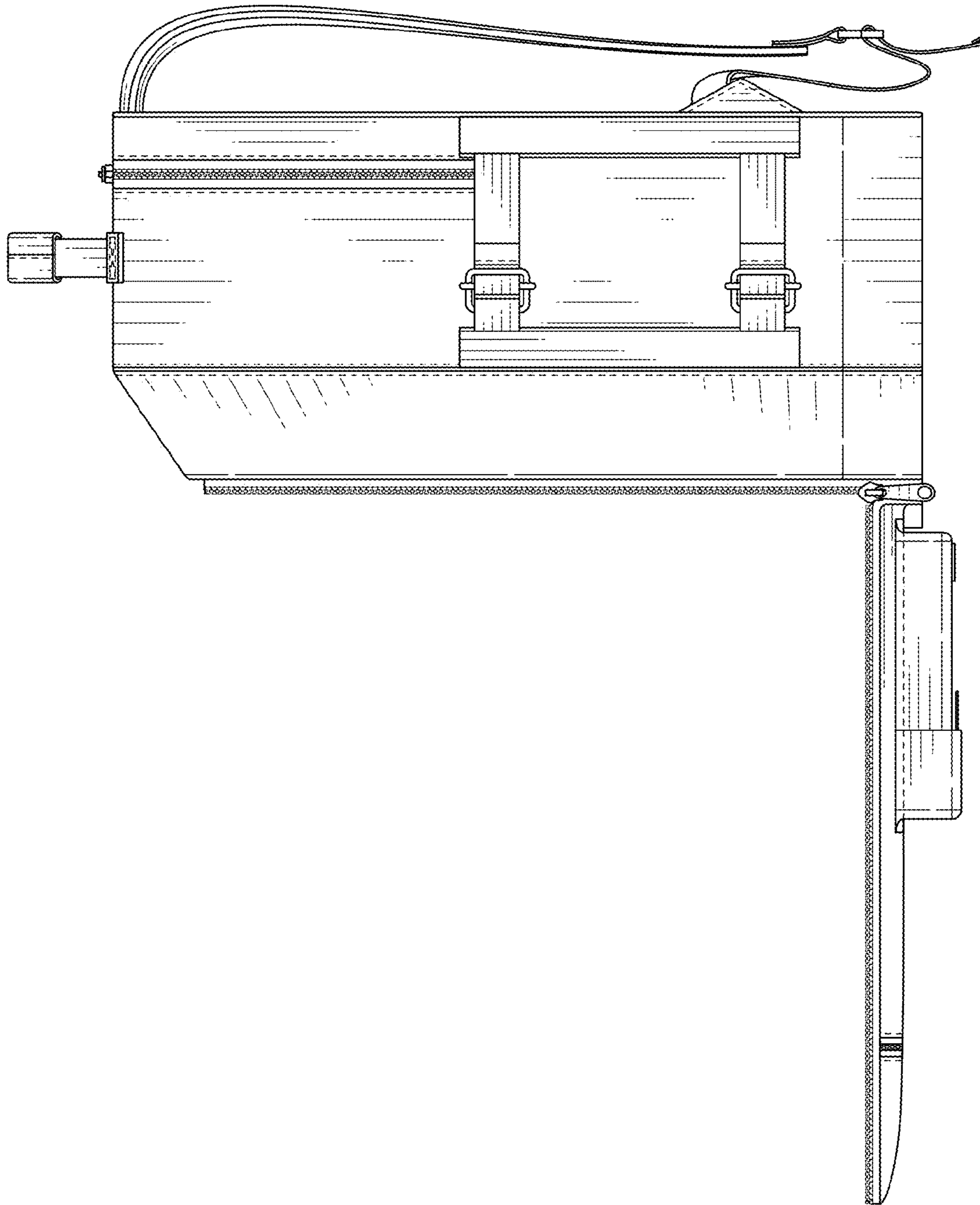


FIG. 13

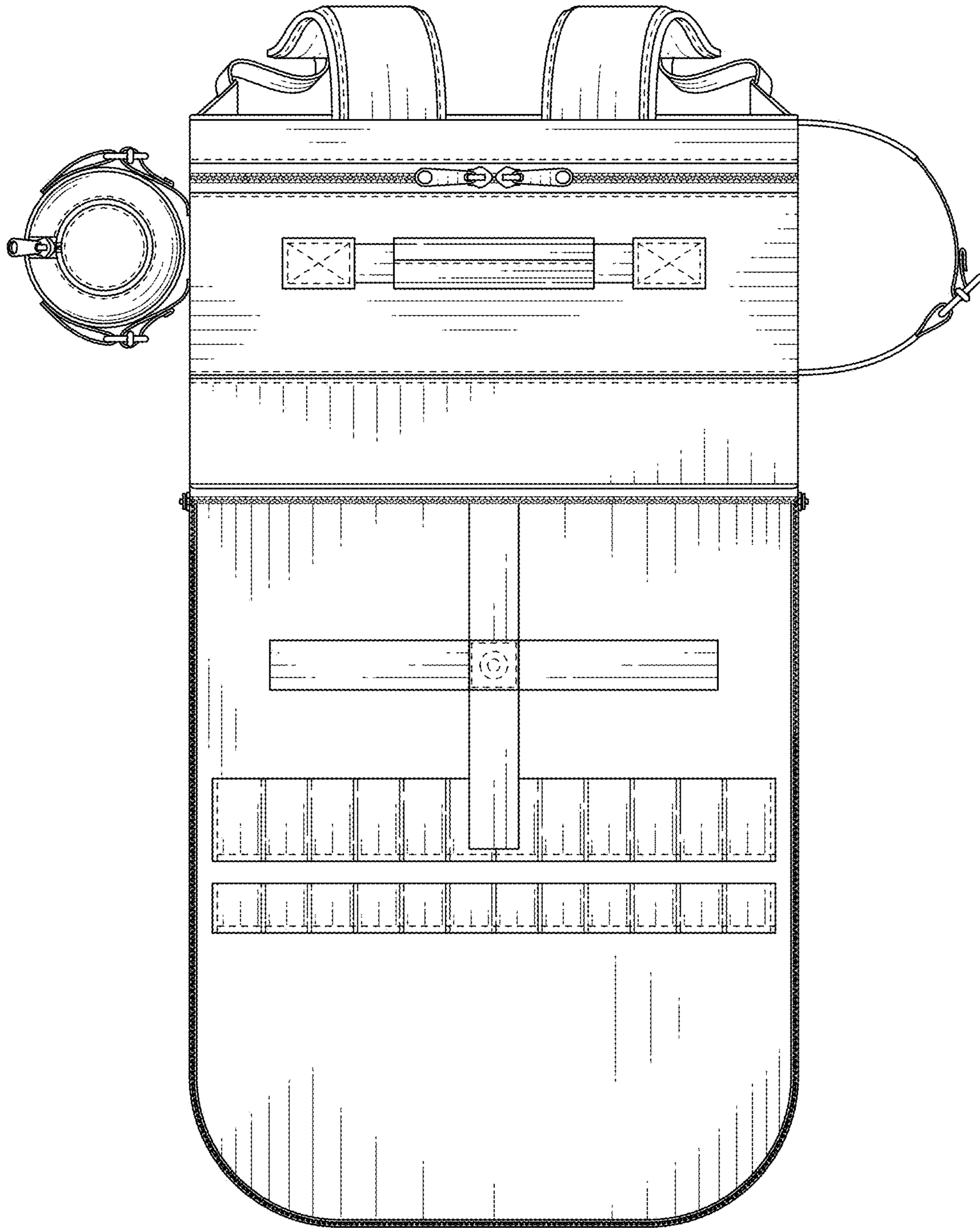


FIG. 14

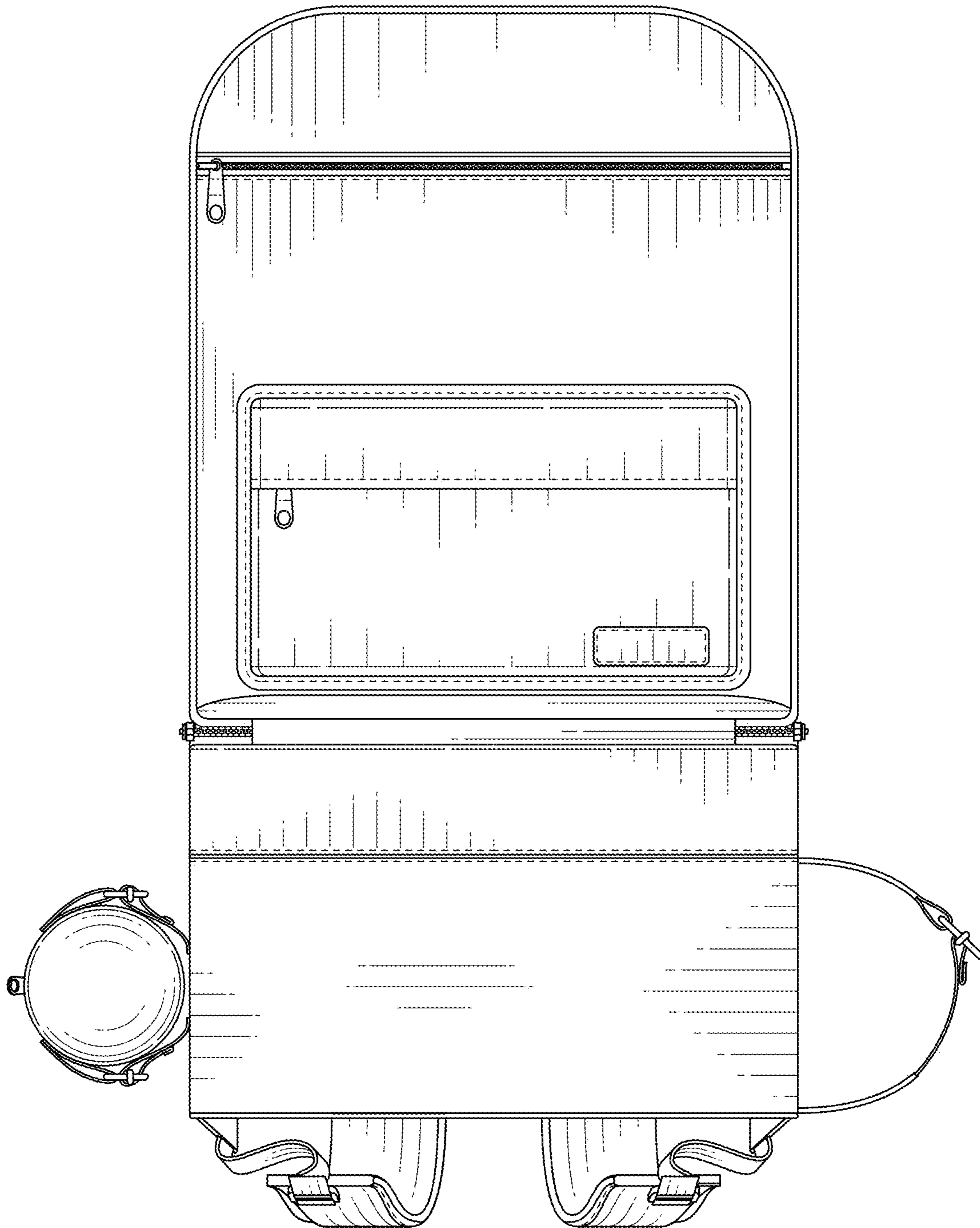


FIG. 15