



US00D925902S

(12) **United States Design Patent** (10) **Patent No.:** **US D925,902 S**
Akin et al. (45) **Date of Patent:** **** Jul. 27, 2021**

(54) **UMBRELLA WITH SOLAR PANELS**

D248,042 S 5/1978 Ouelette
4,193,389 A 3/1980 Ku
4,527,721 A 7/1985 Goldstein
(Continued)

(71) Applicant: **ZON**, Redondo Beach, CA (US)

(72) Inventors: **Sarah Akin**, Manhattan Beach, CA (US); **David Johnson**, San Francisco, CA (US)

(73) Assignee: **ZON, Inc.**, Redondo Beach, CA (US)

(**) Term: **15 Years**

(21) Appl. No.: **29/744,360**

(22) Filed: **Jul. 28, 2020**

OTHER PUBLICATIONS

Solar Powered Umbrella with USB Ports Product Reference, Apr. 5, 2013, 17 pages.

Primary Examiner — John Windmuller

(74) *Attorney, Agent, or Firm* — Aka Chan LLP

(57) **CLAIM**

The ornamental design for an umbrella with solar panels, as shown and described.

DESCRIPTION

Related U.S. Application Data

(60) Continuation of application No. 29/680,498, filed on Feb. 15, 2019, now Pat. No. Des. 891,078, which is a division of application No. 29/567,295, filed on Jun. 7, 2016, now Pat. No. Des. 840,671, which is a division of application No. 29/484,513, filed on Mar. 10, 2014, now Pat. No. Des. 758,062, which is a continuation-in-part of application No. 29/467,880, filed on Sep. 24, 2013, now Pat. No. Des. 748,905.

(51) **LOC (13) Cl.** **03-03**

(52) **U.S. Cl.**
USPC **D3/5; D3/10; D13/102**

(58) **Field of Classification Search**
USPC **D3/5, 10; D13/102**
CPC ... **A45B 23/00; A45B 3/04; A45B 2200/1018; A45B 2200/1027; H02J 7/0047; H02J 7/35**

See application file for complete search history.

This application is a continuation of U.S. Pat. application Ser. No. 29/680,498, filed Feb. 15, 2019, issued as U.S. Pat. No. D891,078 on Jul. 28, 2020, which is a divisional of U.S. Pat. application Ser. No. 29/567,295, filed Jun. 7, 2016, issued as U.S. Pat. No. D840,671 on Feb. 19, 2019, which is a divisional of U.S. Pat. application Ser. No. 29/484,513, filed Mar. 10, 2014, issued as U.S. Pat. No. D758,062 on Jun. 7, 2016, which is a continuation-in-part of U.S. Pat. application Ser. No. 29/467,880, filed Sep. 24, 2013, issued as U.S. Pat. No. D748,905 on Feb. 9, 2016. These applications are incorporated by reference along with U.S. Pat. application Ser. No. 29/461,658, filed Jul. 26, 2013.

FIG. 1 shows a perspective view of a first embodiment of a design for an umbrella with solar panels.

FIG. 2 shows a top view of FIG. 1.

FIG. 3 shows a side view of FIG. 1.

FIG. 4 shows a perspective view of a second embodiment of a design for an umbrella with solar panels.

FIG. 5 shows a top view of FIG. 4; and,

FIG. 6 shows a side view of FIG. 4.

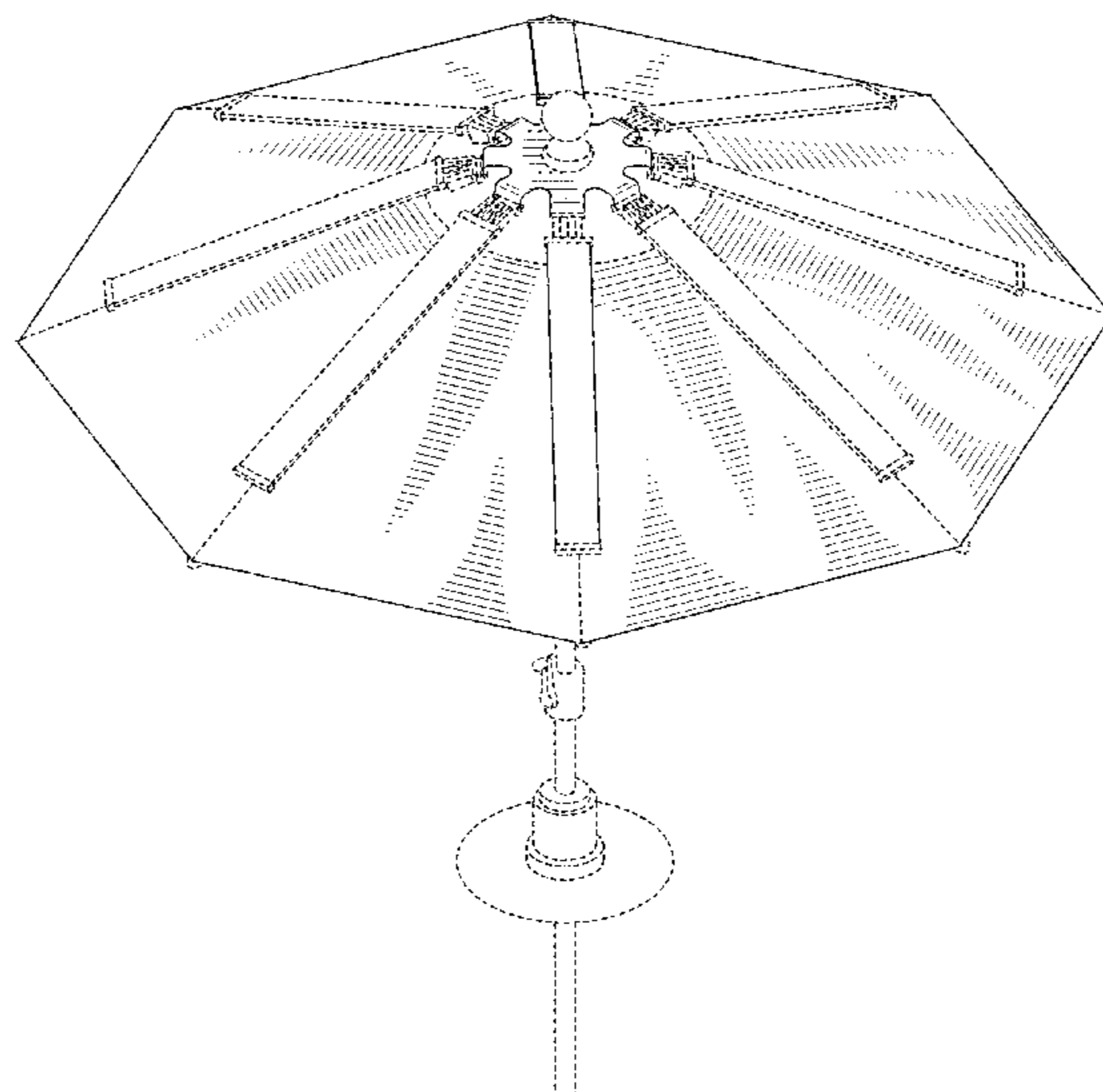
The broken lines in the figures depict portions of the umbrella with solar panels that form no part of the claimed design.

(56) **References Cited**

U.S. PATENT DOCUMENTS

1,397,789 A 11/1921 Stonestreet
D151,655 S 11/1948 Preaus
D162,617 S 3/1951 Benivegna

1 Claim, 6 Drawing Sheets



(56)

References Cited

U.S. PATENT DOCUMENTS

D336,982	S	7/1993	Johnson	
D373,465	S	9/1996	Chipman	
D373,467	S	9/1996	Chipman	
D373,468	S	9/1996	Dubinsky	
D396,741	S	8/1998	Vitali et al.	
D443,409	S	6/2001	Pilz et al.	
6,830,058	B2	12/2004	Li	
6,923,058	B2	8/2005	Nieman et al.	
7,000,624	B2	2/2006	Chang	
7,013,903	B2	3/2006	Li	
D530,269	S	10/2006	Fowler et al.	
D561,460	S	2/2008	Peterson	
7,562,667	B2	7/2009	Li	
D600,200	S	9/2009	Dimov et al.	
D668,443	S	10/2012	Sims, II	
8,360,079	B2	1/2013	Li	
D680,949	S	4/2013	Swatek	
D681,548	S	5/2013	Zhang et al.	
D688,621	S	8/2013	Mozzardi et al.	
D701,828	S	4/2014	Garrett-Schesch	
D701,829	S	4/2014	Garrett-Schesch	
8,695,614	B2	4/2014	Chaimovski et al.	
D724,524	S	3/2015	Garrett-Schesch	
D728,466	S	5/2015	Ehrsam et al.	
9,088,181	B2	7/2015	Akin et al.	
10,051,931	B2	8/2018	Zadie	
10,306,959	B2	6/2019	Rosedale	
2005/0161067	A1	7/2005	Hollins	
2009/0058354	A1	3/2009	Harrison	
2017/0055653	A1*	3/2017	Pan	A45B 25/14

* cited by examiner

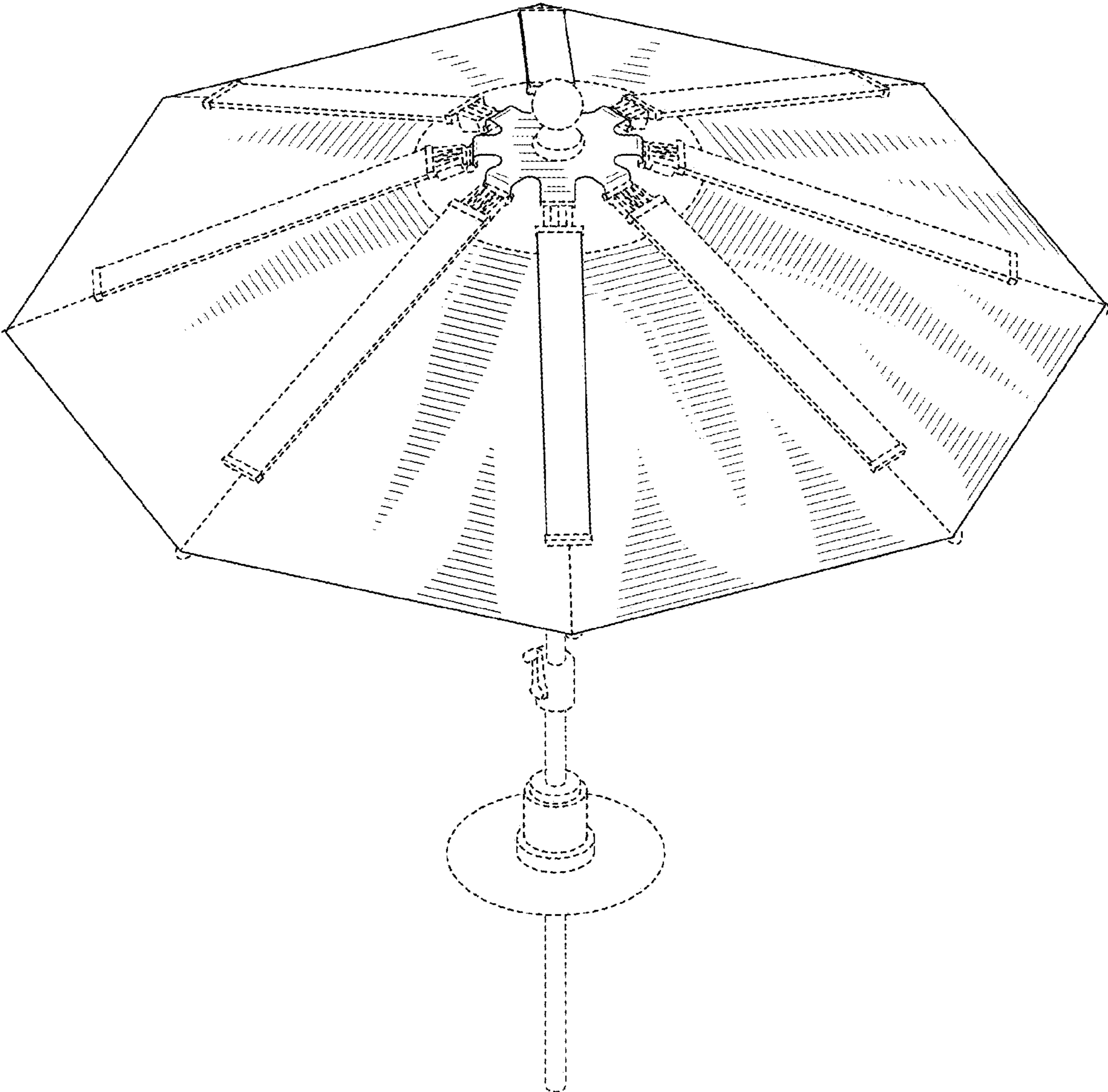


FIG. 1

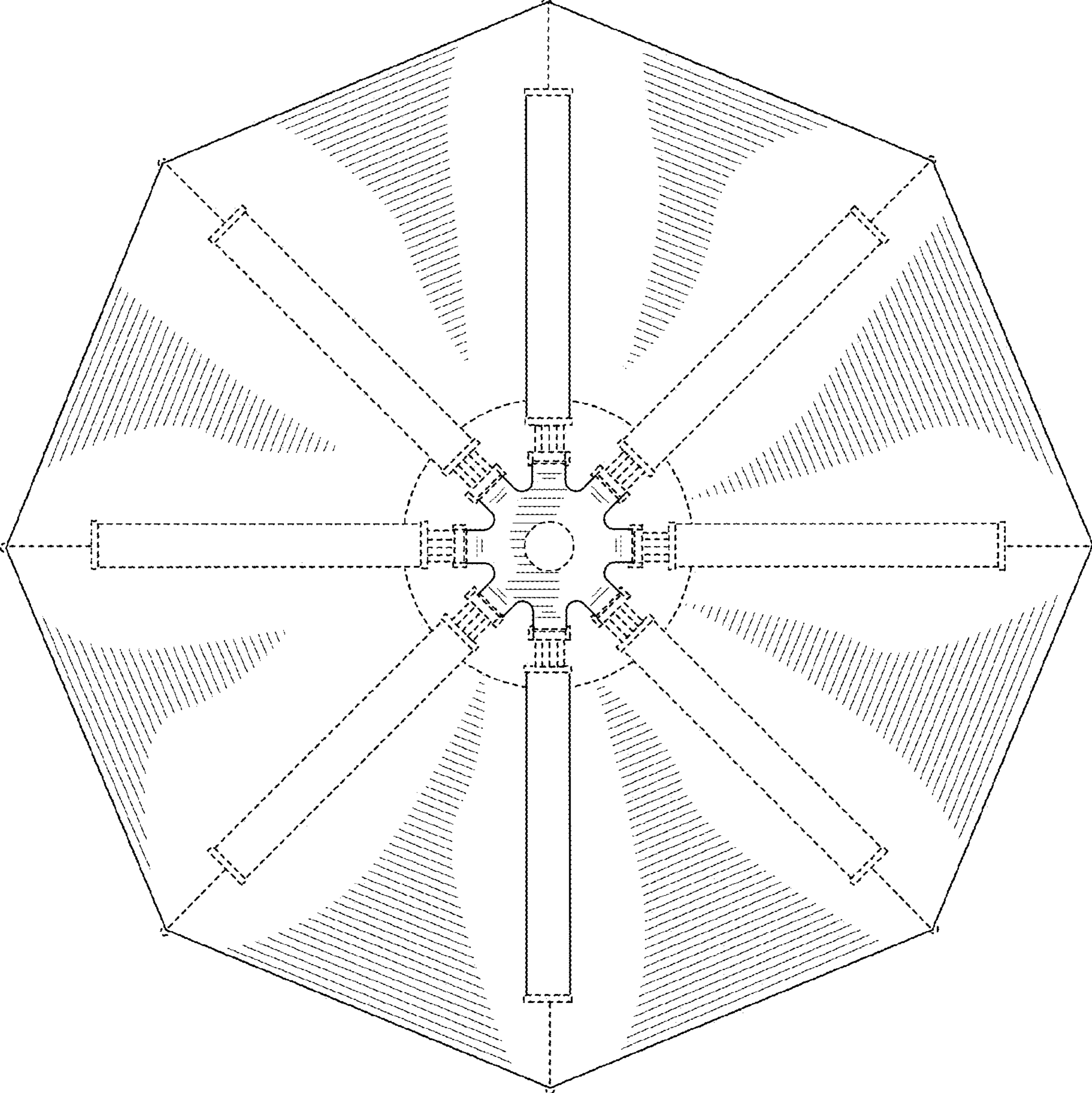


FIG. 2

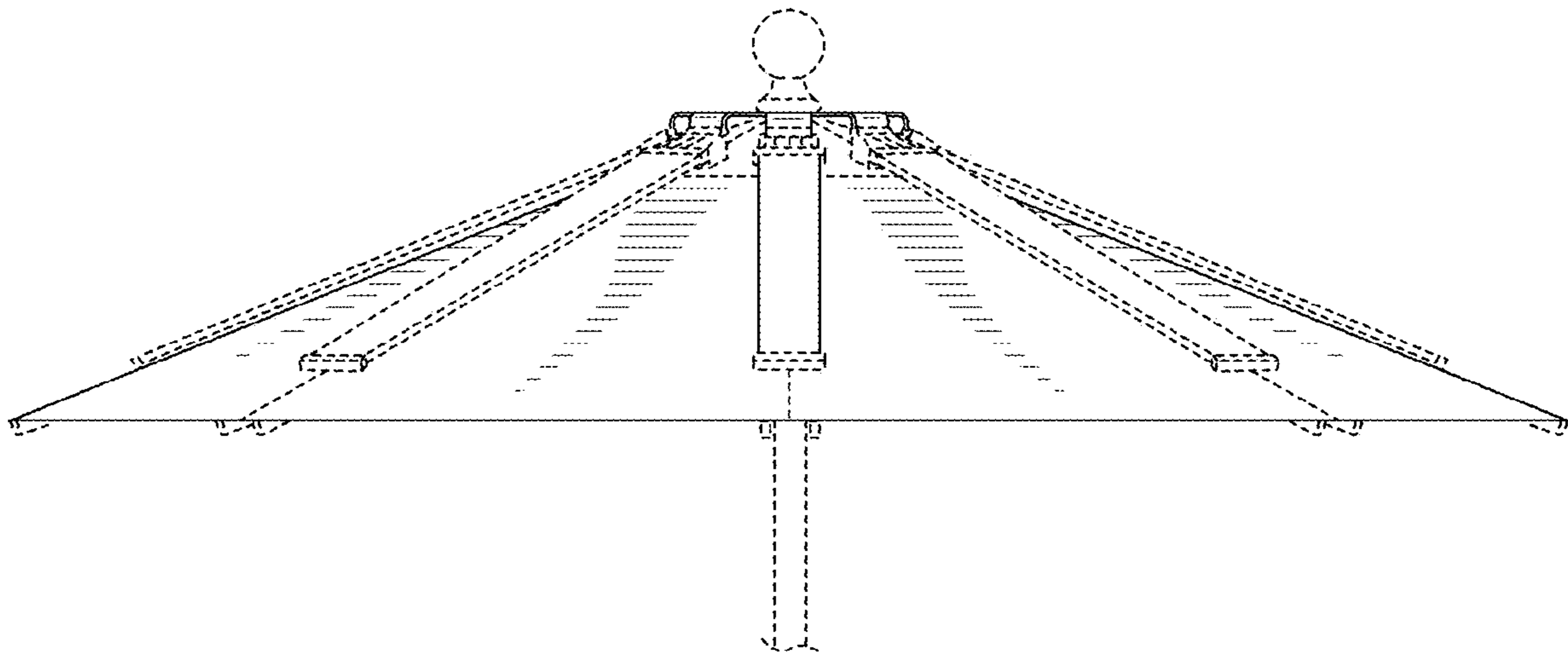


FIG. 3

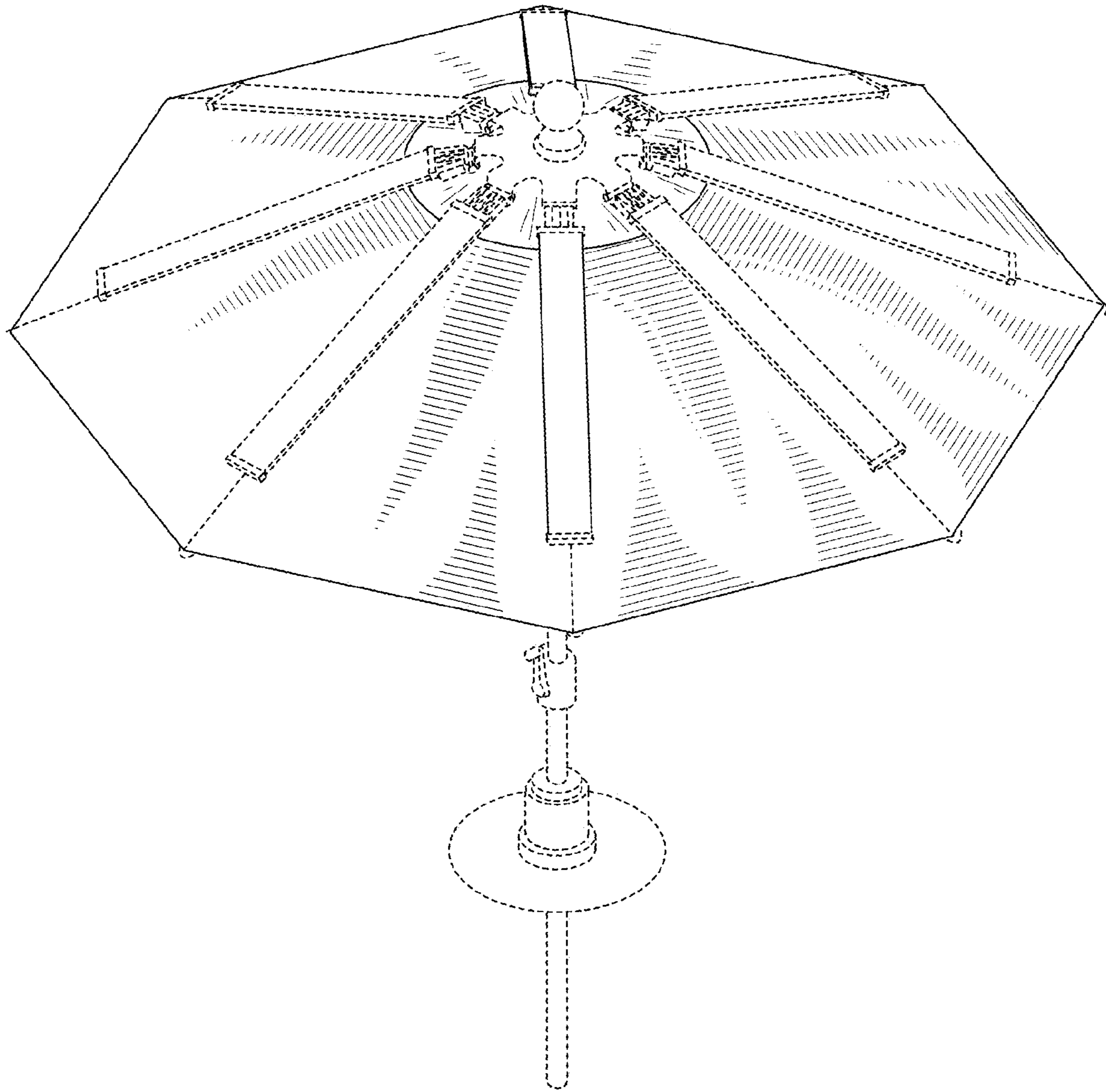


FIG. 4

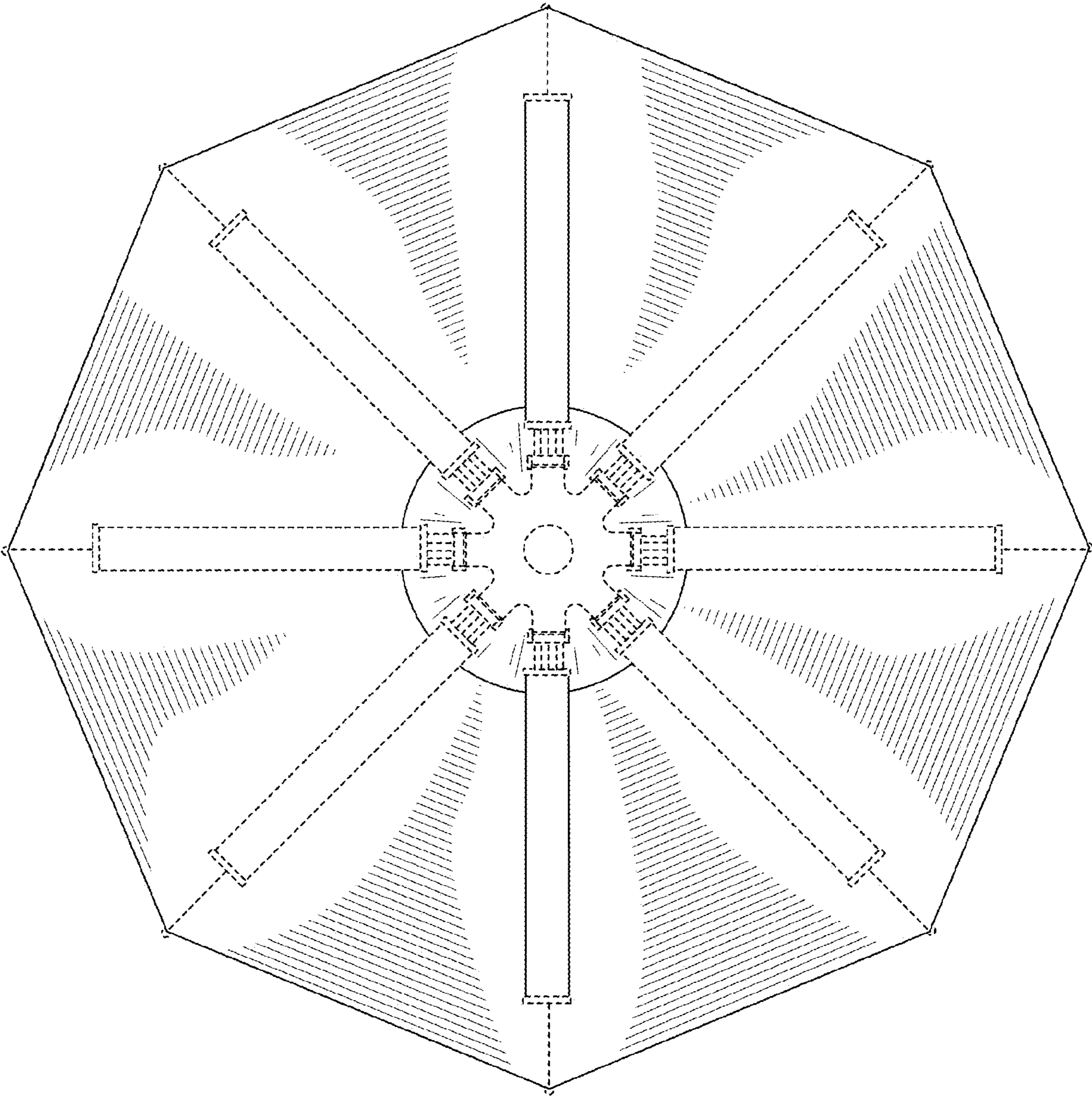


FIG. 5

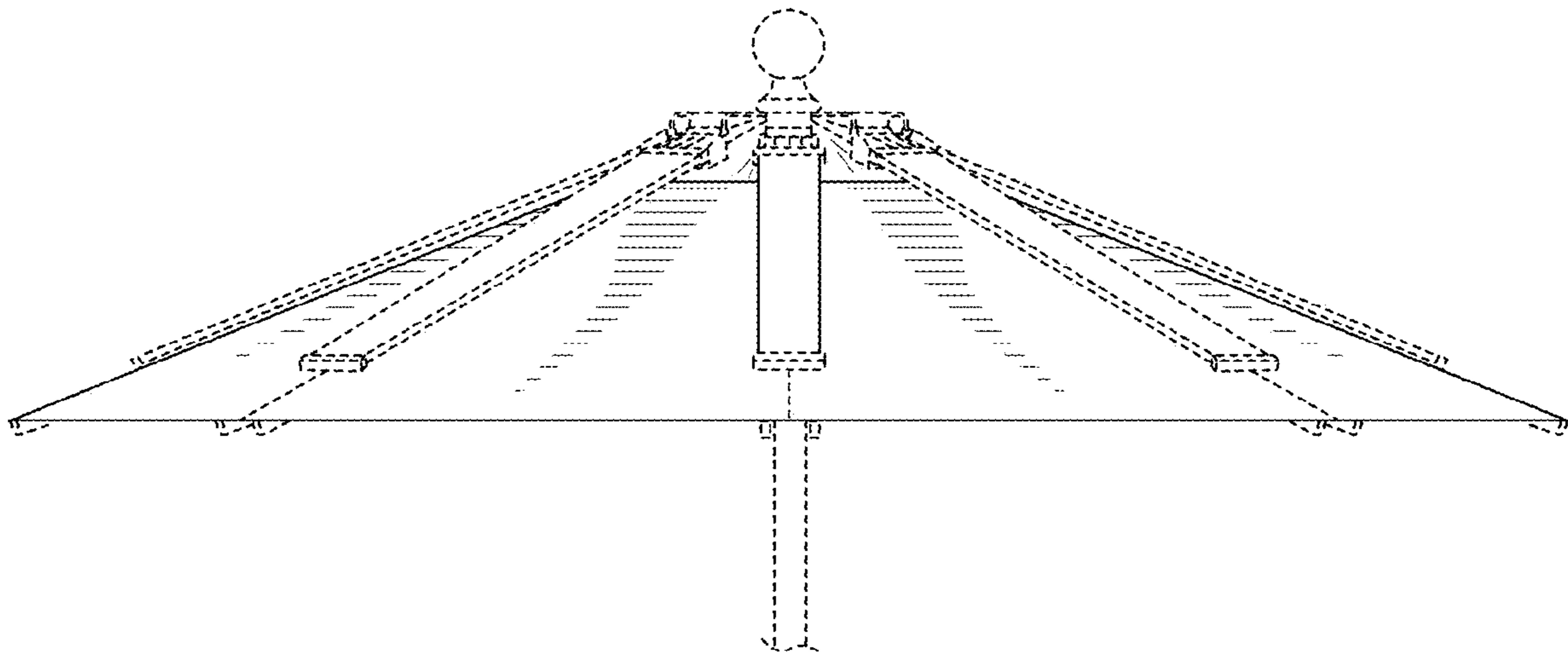


FIG. 6