



US00D925901S

(12) **United States Design Patent**  
**Wu**

(10) **Patent No.:** **US D925,901 S**  
(45) **Date of Patent:** **\*\* Jul. 27, 2021**

(54) **SHOELACE BUCKLE**

(71) Applicant: **Yunyun Wu**, Anhui (CN)

(72) Inventor: **Yunyun Wu**, Anhui (CN)

(\*\*) Term: **15 Years**

(21) Appl. No.: **29/695,852**

(22) Filed: **Jun. 22, 2019**

(51) **LOC (13) Cl.** ..... **02-07**

(52) **U.S. Cl.**  
USPC ..... **D2/978**

(58) **Field of Classification Search**  
USPC ..... D2/896, 916-918, 946, 968, 969, 976,  
D2/977, 978  
CPC ..... A43B 3/105; A43B 3/122; A43B 3/12;  
A43B 9/00; A43B 23/28; A43C 11/08;  
E05C 17/36  
See application file for complete search history.

(56) **References Cited**

**U.S. PATENT DOCUMENTS**

D797,548 S \* 9/2017 Sola ..... D8/383  
D849,591 S \* 5/2019 DiPietro ..... D11/87  
D855,488 S \* 8/2019 Jablonski ..... D11/3

D869,597 S \* 12/2019 Caballero Tapia ..... D22/119  
D902,066 S \* 11/2020 D'amore ..... D11/4  
D907,351 S \* 1/2021 Wu ..... D2/978  
D907,352 S \* 1/2021 Wu ..... D2/978  
D907,354 S \* 1/2021 Wu ..... D2/978  
2013/0199020 A1\* 8/2013 Frydlewski ..... A43C 11/22  
29/525.01  
2016/0338455 A1\* 11/2016 Chuan ..... A45C 13/18

\* cited by examiner

*Primary Examiner* — Rashida C. Walshon

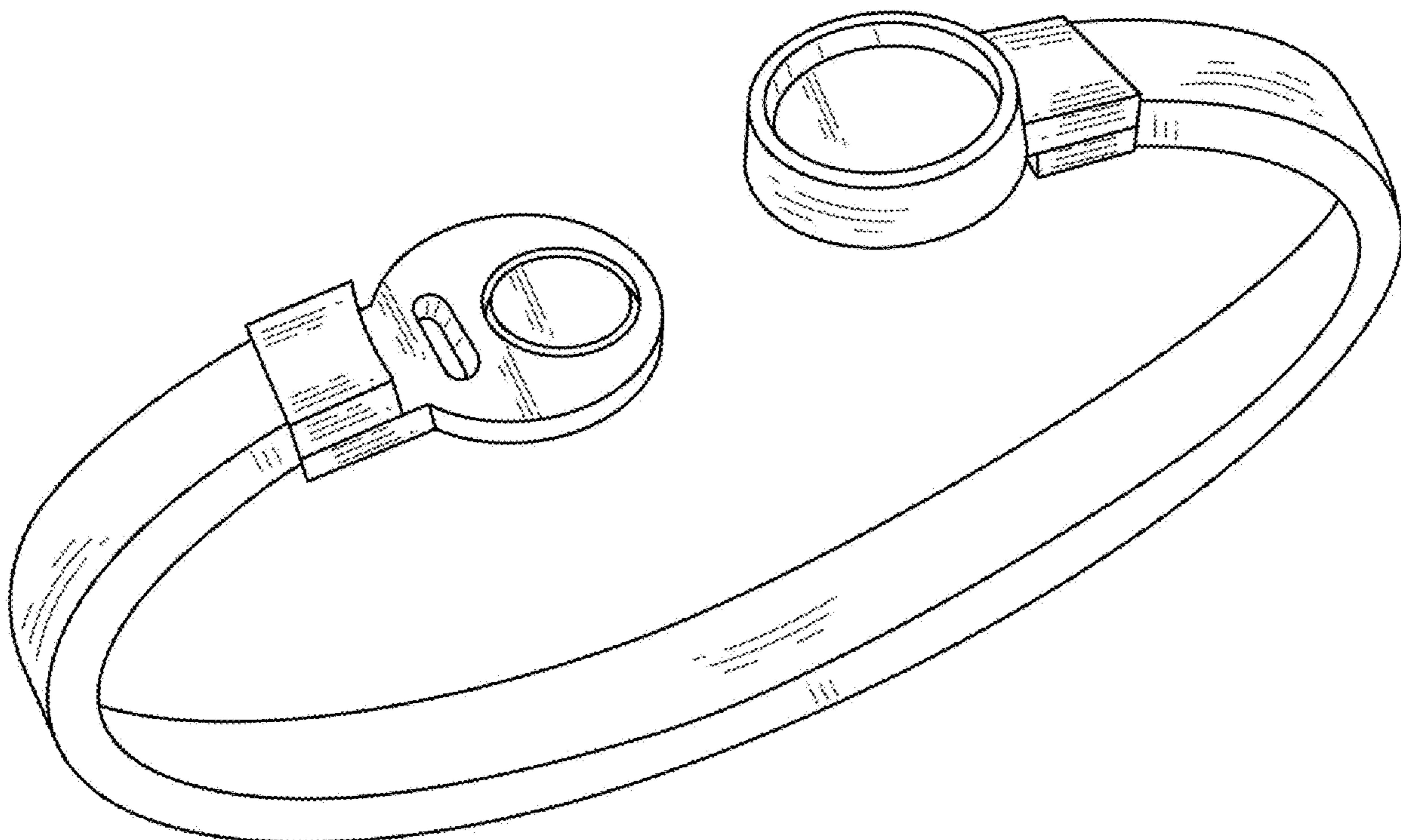
(57) **CLAIM**

The ornamental design for a shoelace buckle, as shown and described.

**DESCRIPTION**

FIG. 1 is a perspective view of a shoelace buckle showing my new design;  
FIG. 2 is a front elevation view thereof;  
FIG. 3 is a rear elevation view thereof;  
FIG. 4 is a left side elevation view thereof;  
FIG. 5 is a right side elevation view thereof;  
FIG. 6 is a top plan view thereof;  
FIG. 7 is a bottom plan view thereof;  
FIG. 8 is another perspective view of a shoelace buckle in the closed state; and,  
FIG. 9 is an elevation view of the inner surface of the shoelace buckle.

**1 Claim, 9 Drawing Sheets**



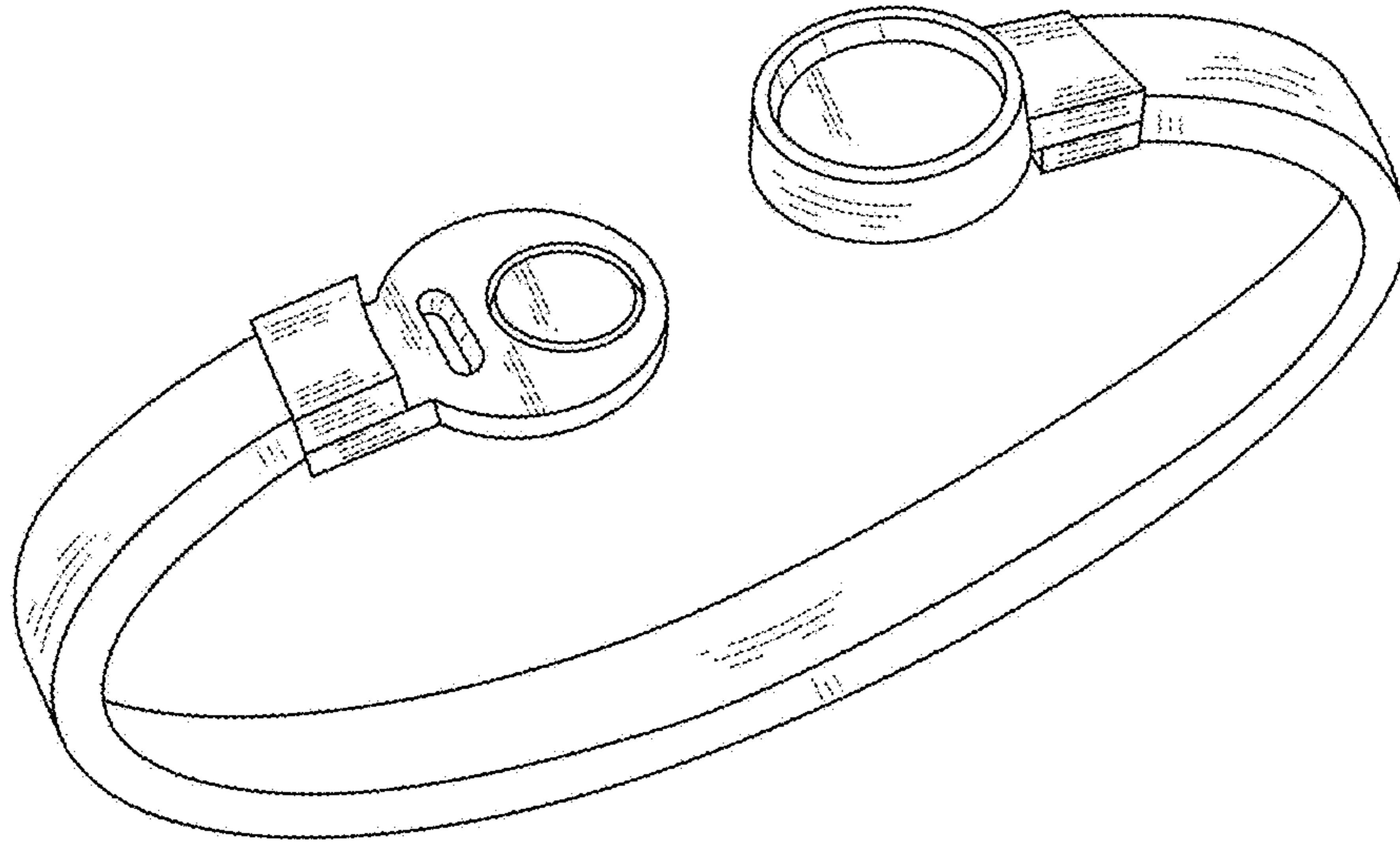


FIG.1

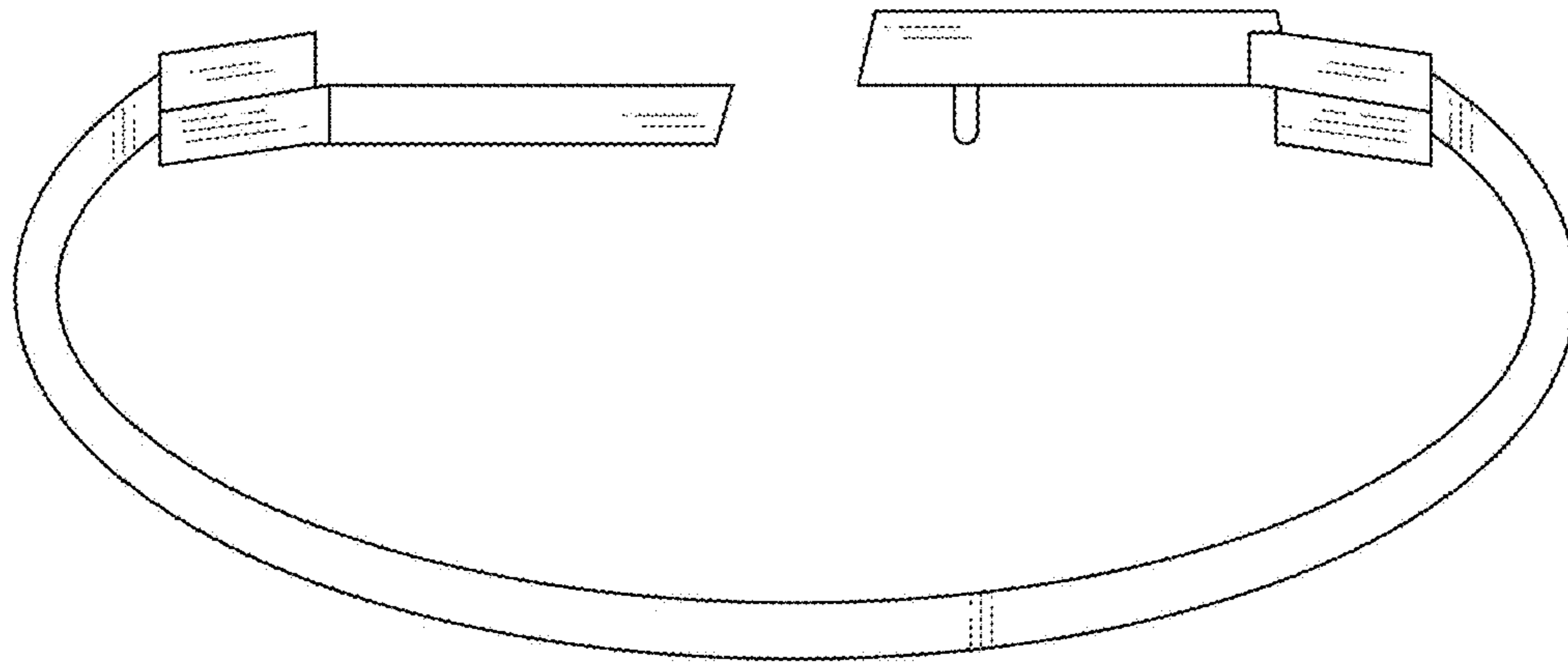


FIG.2

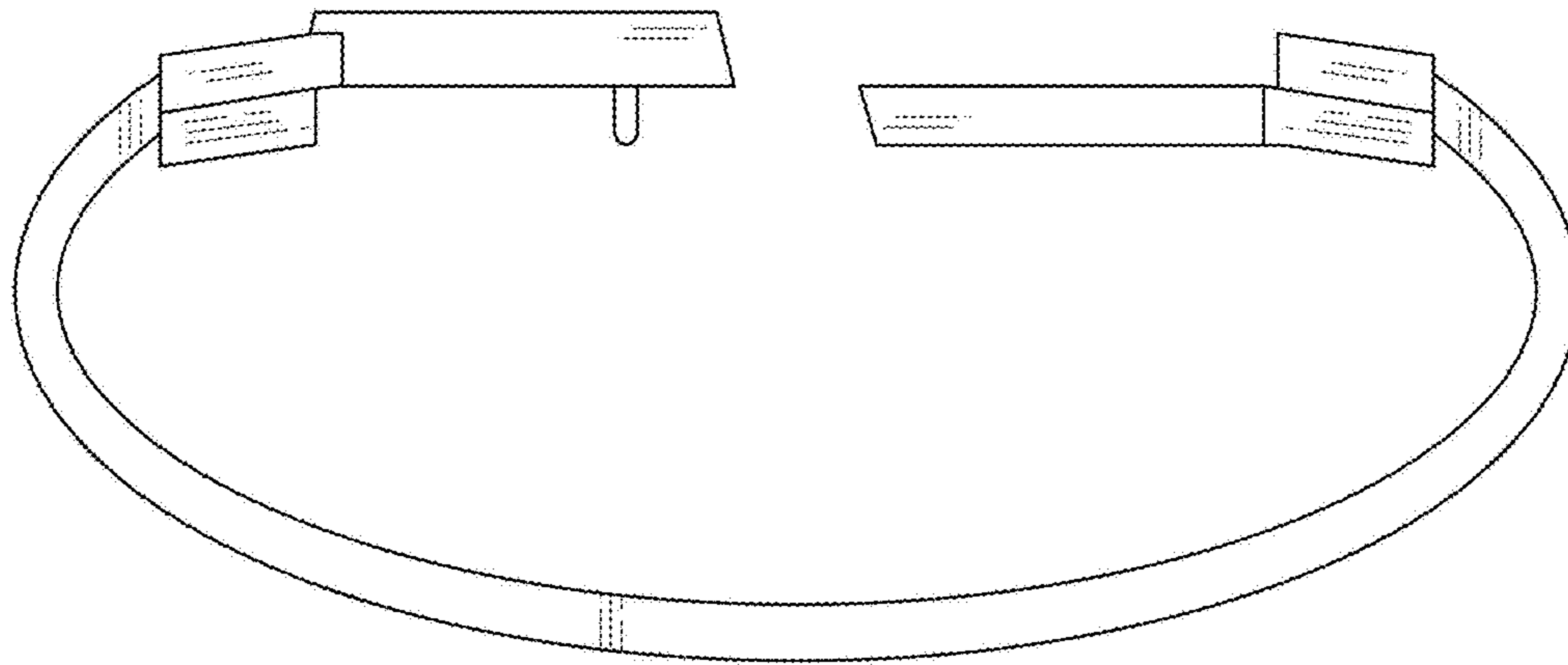


FIG.3

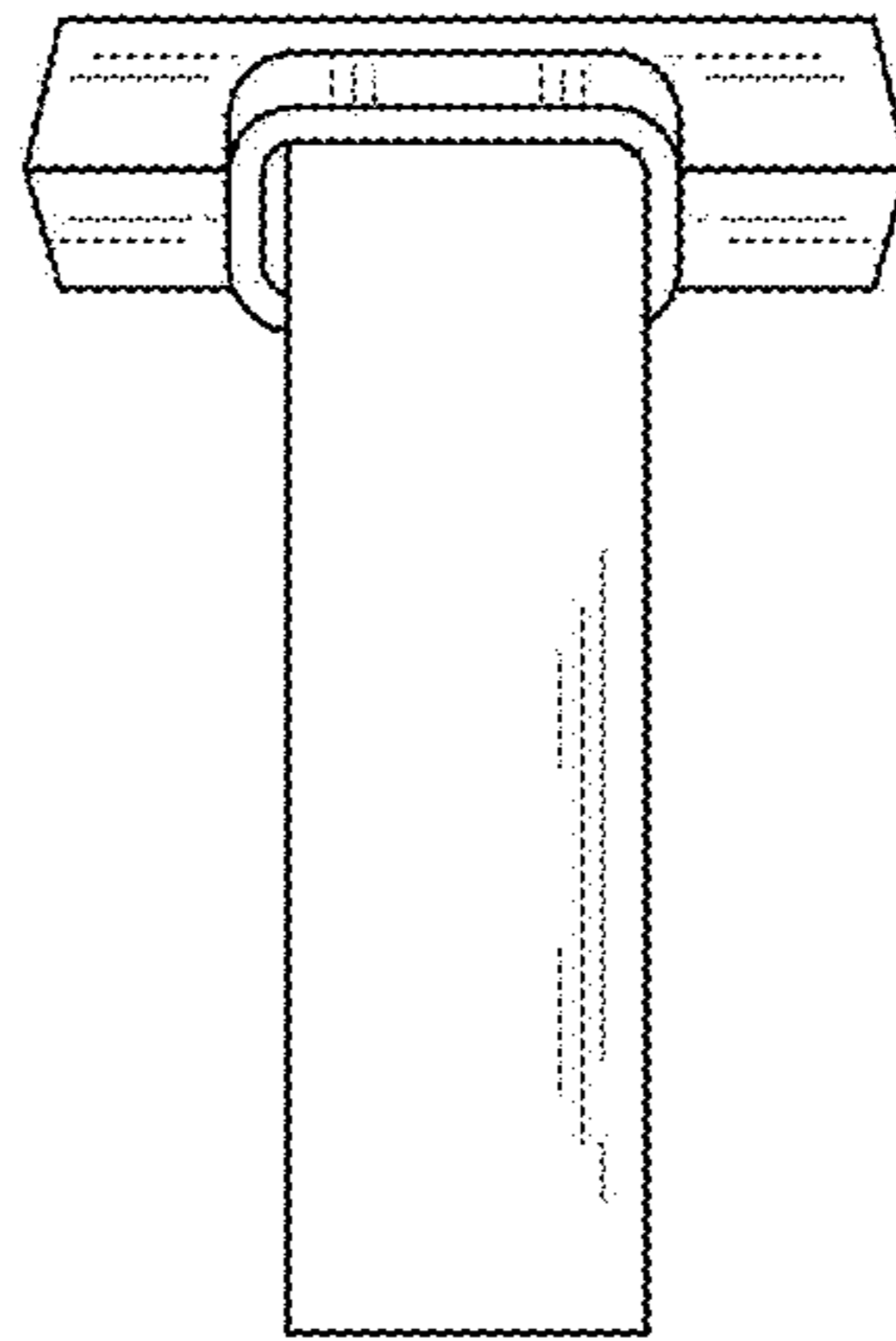


FIG.4

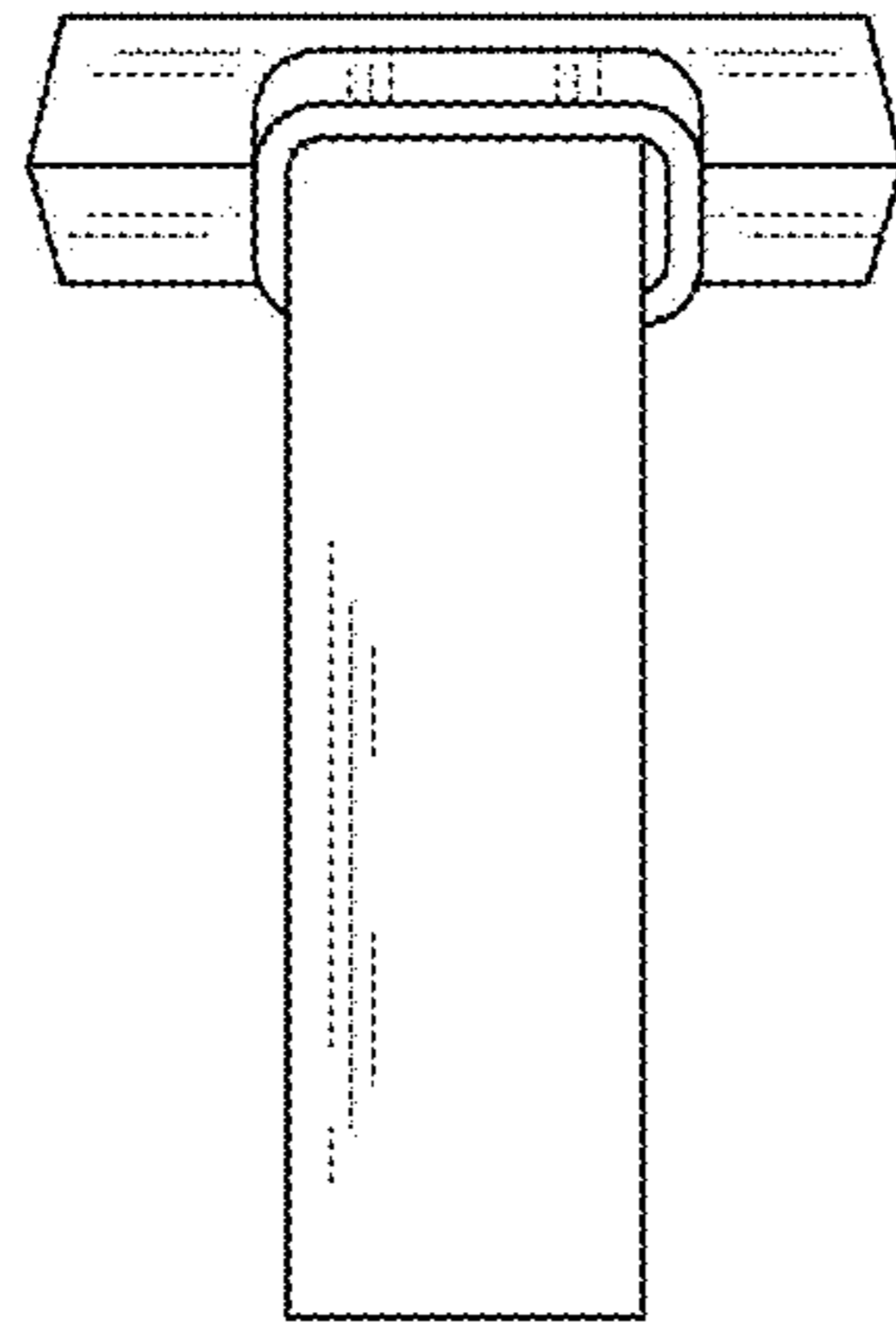


FIG. 5

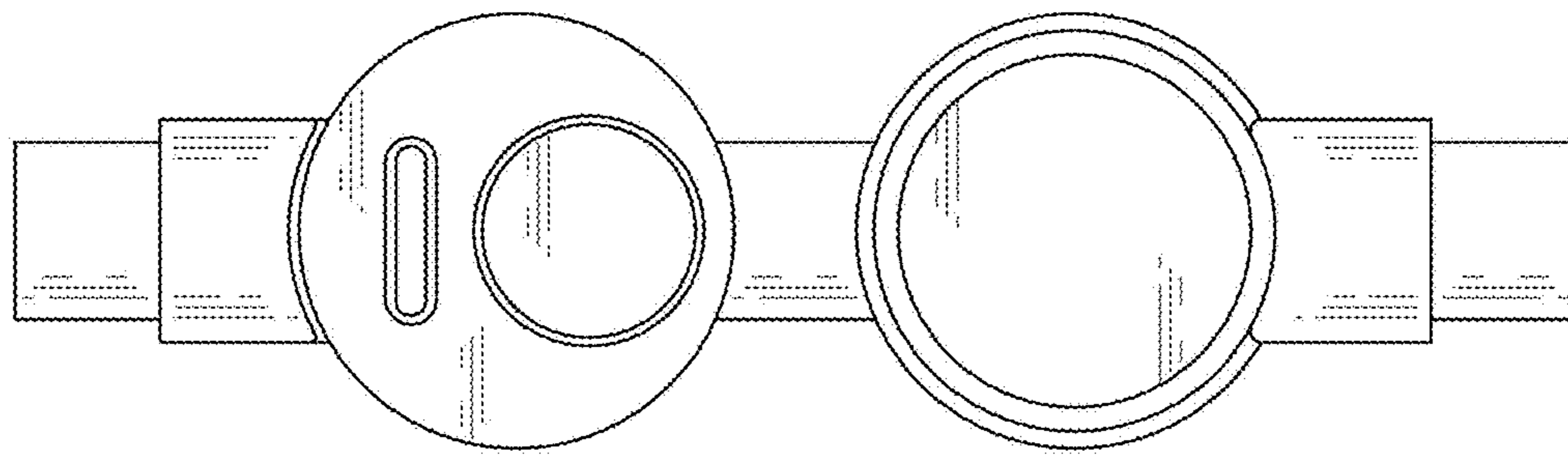


FIG. 6

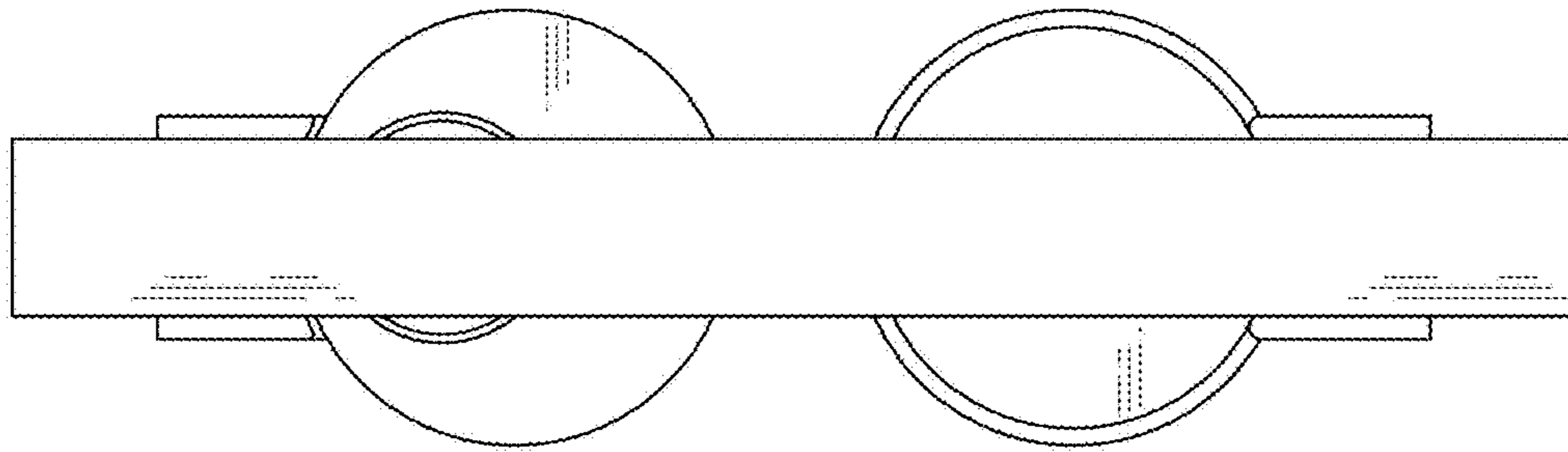


FIG. 7



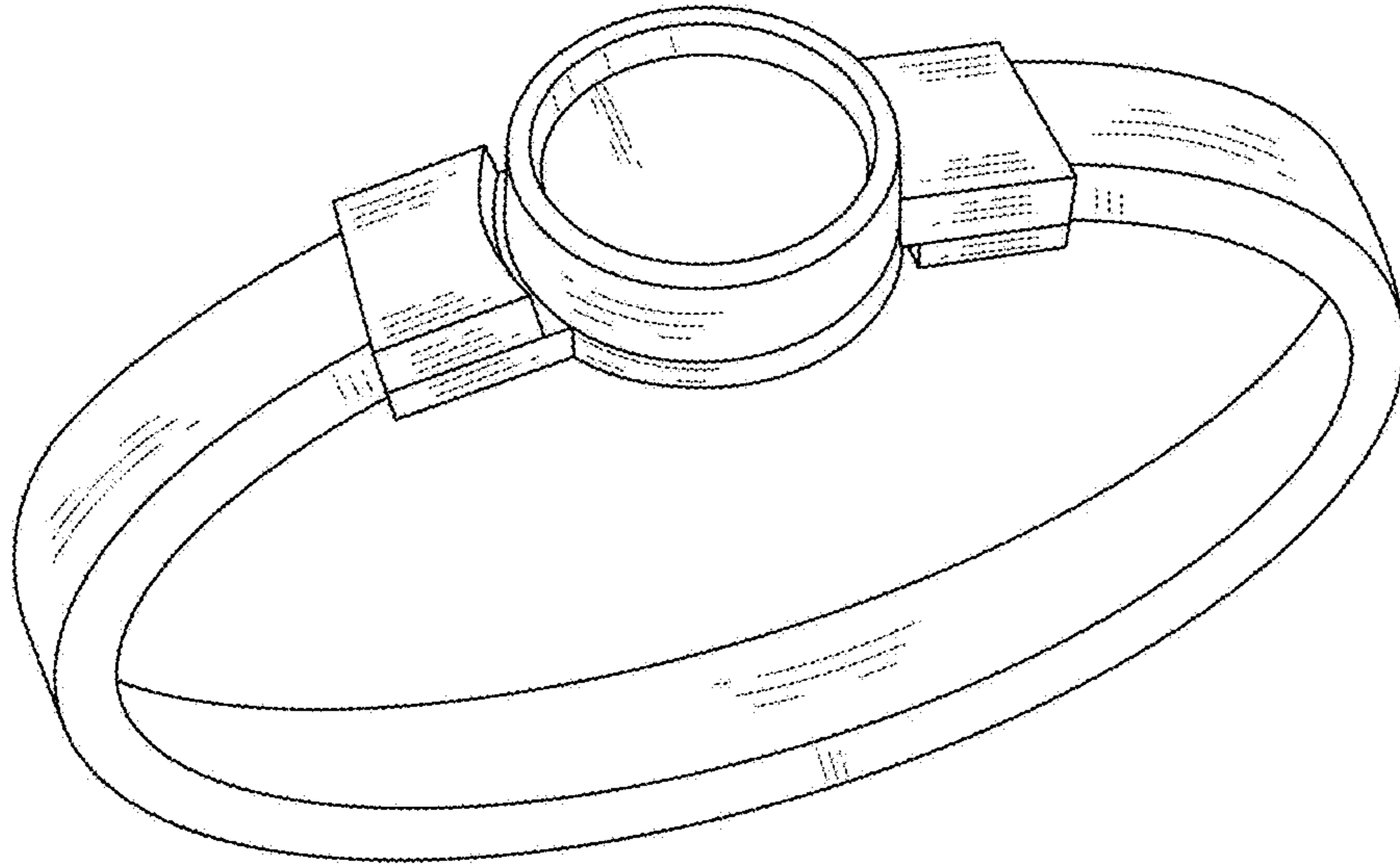


FIG. 8

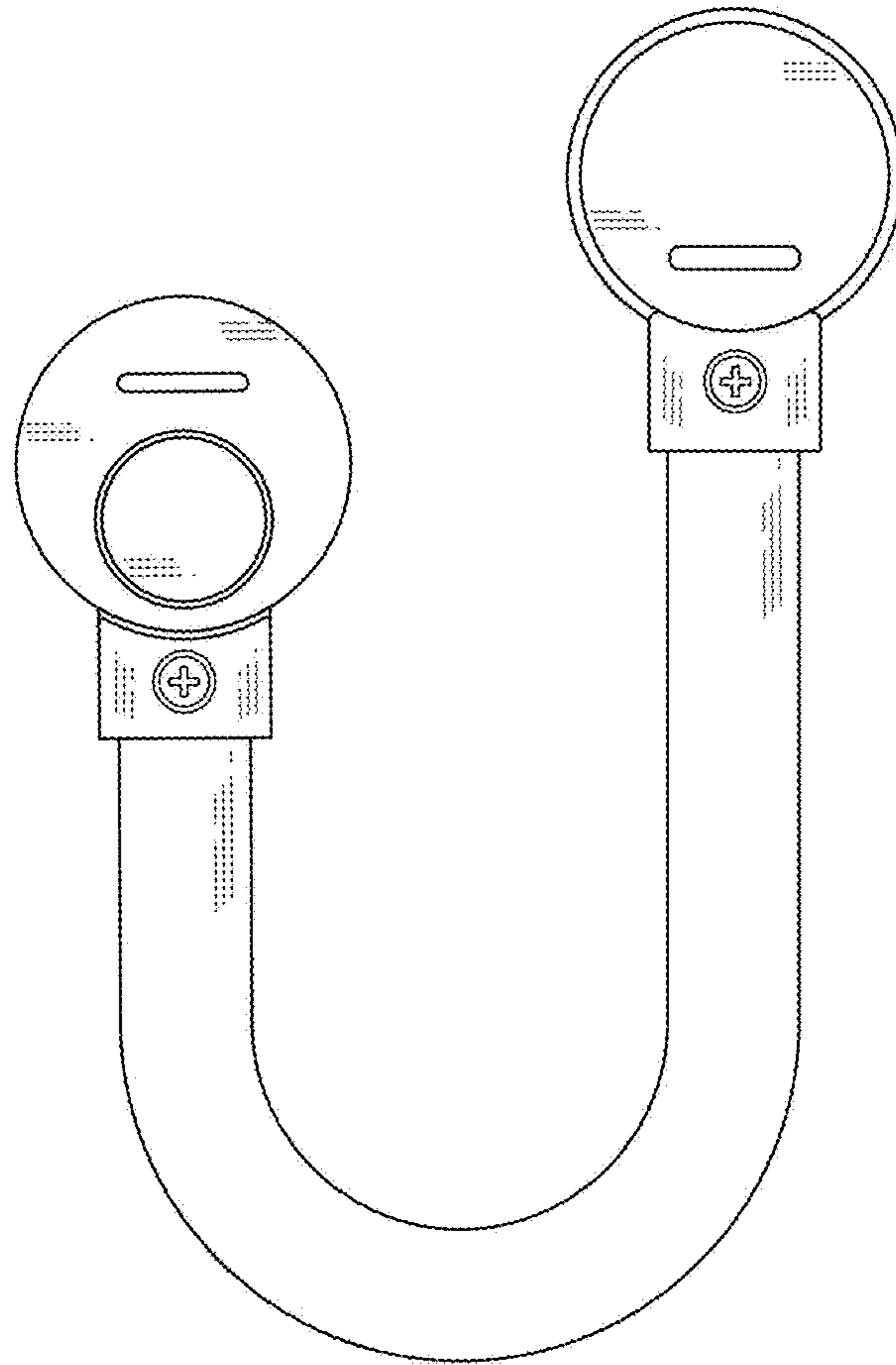


FIG. 9