



US00D925900S

(12) **United States Design Patent** (10) **Patent No.:** **US D925,900 S**
Wu (45) **Date of Patent:** **** Jul. 27, 2021**

(54) **SHOELACE BUCKLE**

(71) Applicant: **Yunyun Wu**, Anhui (CN)

(72) Inventor: **Yunyun Wu**, Anhui (CN)

(**) Term: **15 Years**

(21) Appl. No.: **29/691,906**

(22) Filed: **May 21, 2019**

(51) **LOC (13) Cl.** **02-07**

(52) **U.S. Cl.**
USPC **D2/978**

(58) **Field of Classification Search**
USPC D2/896, 916-918, 946, 968, 969, 976,
D2/977, 978
CPC A43B 3/105; A43B 3/122; A43B 3/12;
A43B 9/00; A43B 23/28; A43C 11/08;
E05C 17/36
See application file for complete search history.

(56) **References Cited**

U.S. PATENT DOCUMENTS

D797,548 S * 9/2017 Sola D8/383
D849,591 S * 5/2019 DiPietro D11/87
D855,488 S * 8/2019 Jablonski D11/3
D869,597 S * 12/2019 Caballero Tapia D22/119

D902,066 S * 11/2020 D'amore D11/4
D907,351 S * 1/2021 Wu D2/978
D907,352 S * 1/2021 Wu D2/978
D907,354 S * 1/2021 Wu D2/978
2013/0199020 A1* 8/2013 Frydlewski A43C 11/22
29/525.01
2016/0338455 A1* 11/2016 Chuan A45C 13/18

* cited by examiner

Primary Examiner — Rashida C. Walshon

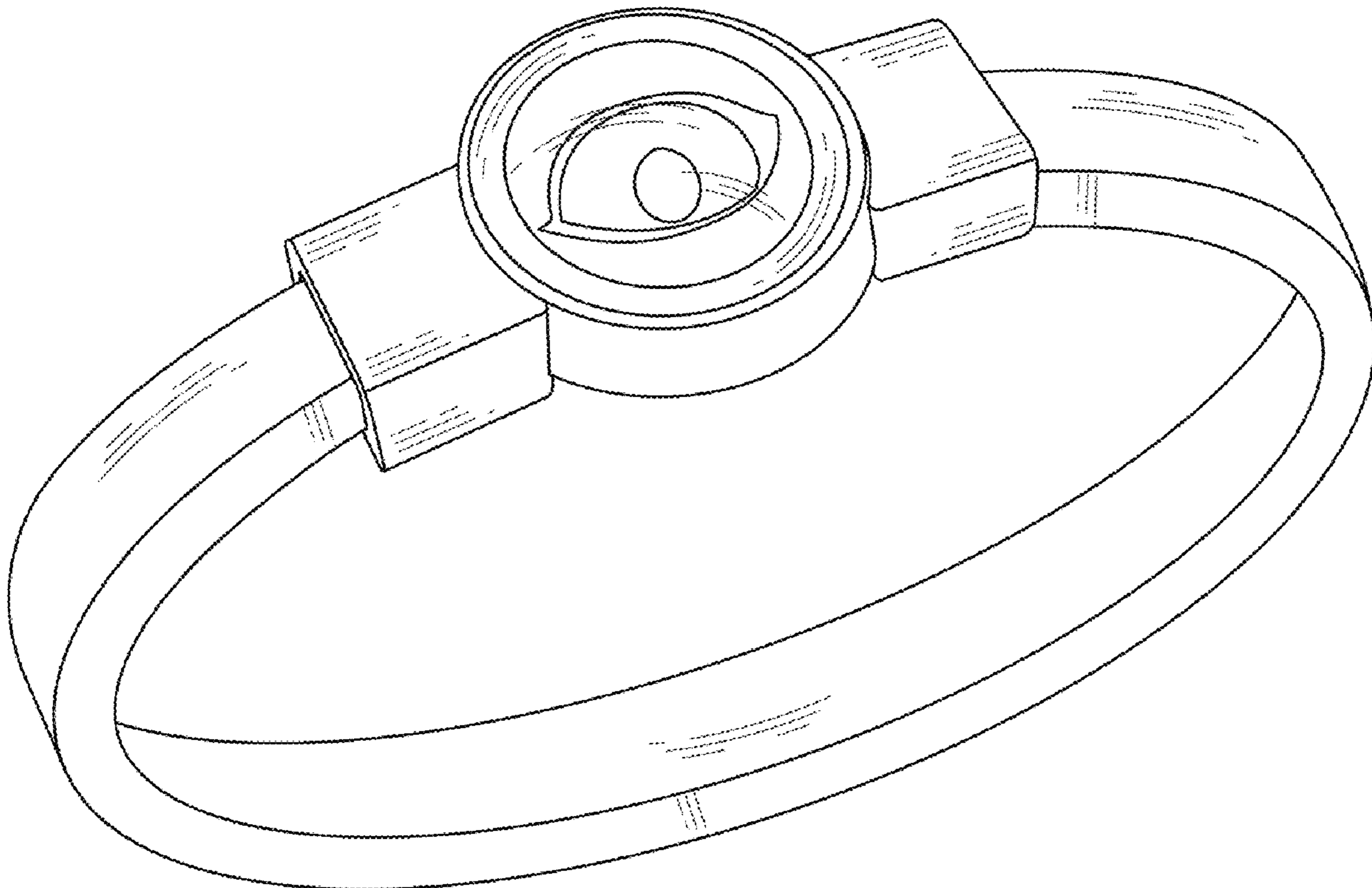
(57) **CLAIM**

The ornamental design for a shoelace buckle, as shown and described.

DESCRIPTION

FIG. 1 is a front perspective view of a shoelace buckle showing my new design;
FIG. 2 is a rear perspective view thereof;
FIG. 3 is a front elevation view thereof;
FIG. 4 is a rear elevation view thereof;
FIG. 5 is a left side elevation view thereof;
FIG. 6 is a right side elevation view thereof;
FIG. 7 is a top plan view of the shoelace buckle of FIGS. 1-6, with the band removed from the buckle for clarity of disclosure; and,
FIG. 8 is a bottom plan view of the shoelace buckle of FIGS. 1-6, with the band removed from the buckle for clarity of disclosure.

1 Claim, 8 Drawing Sheets



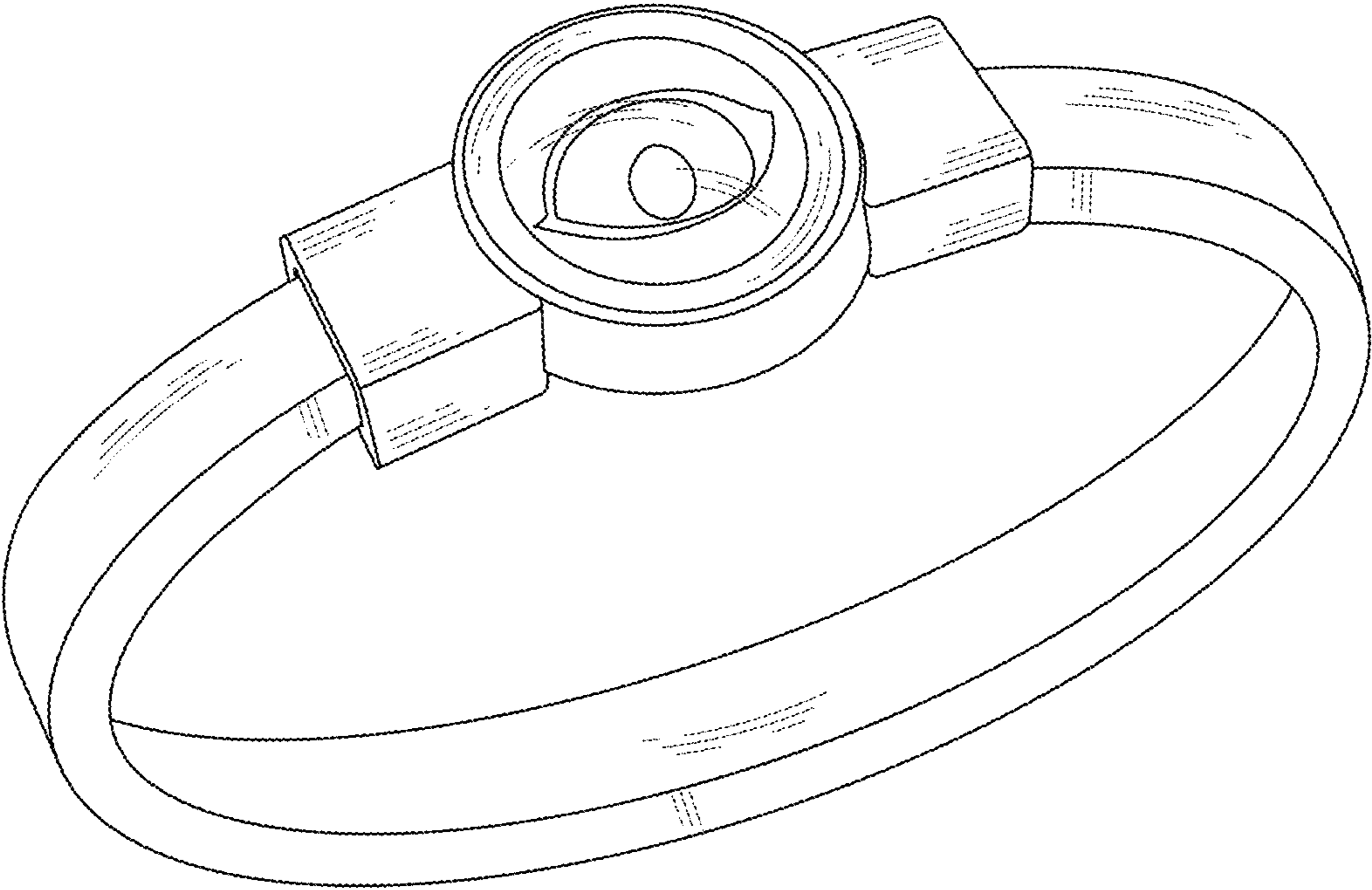


FIG.1

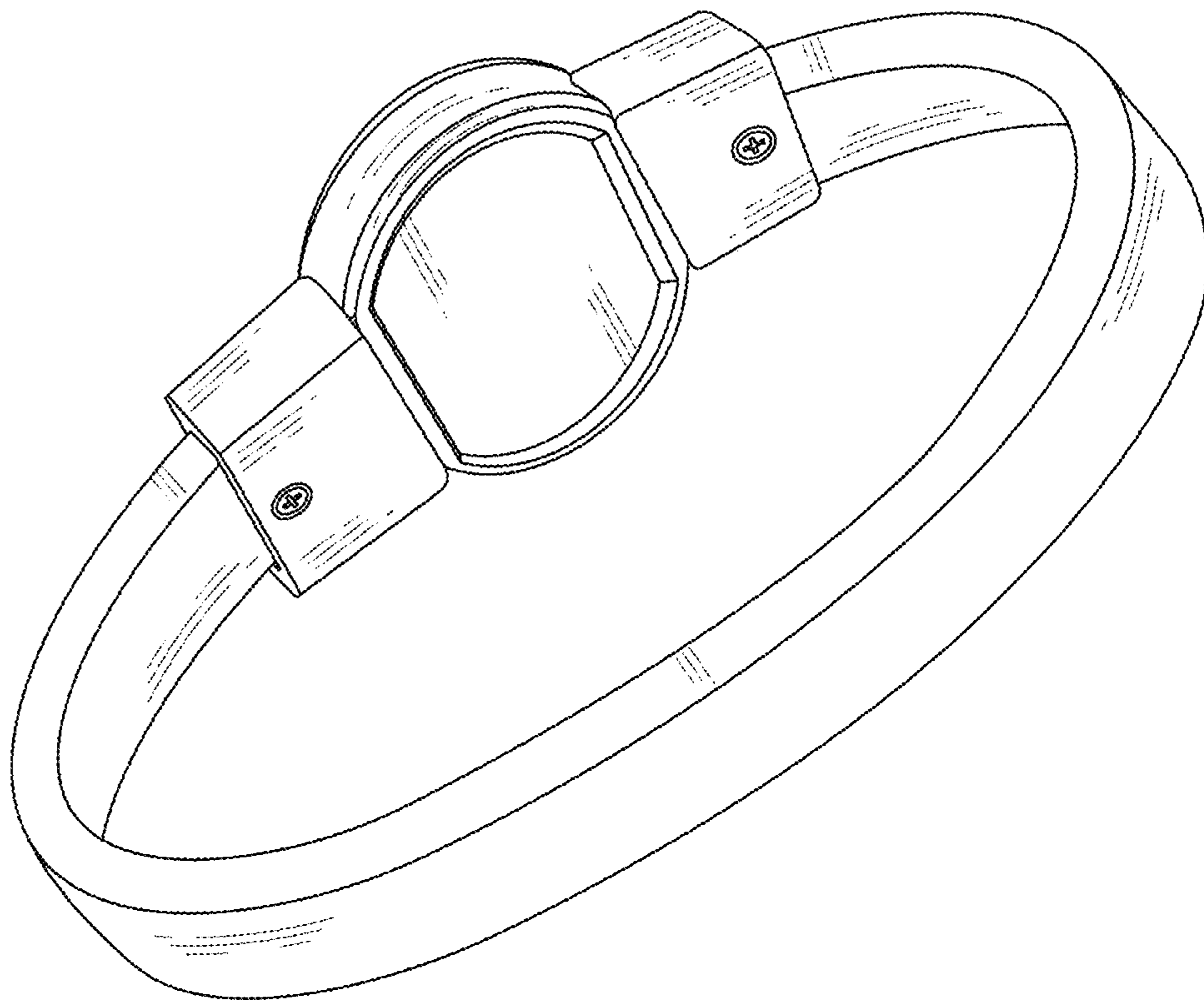


FIG. 2

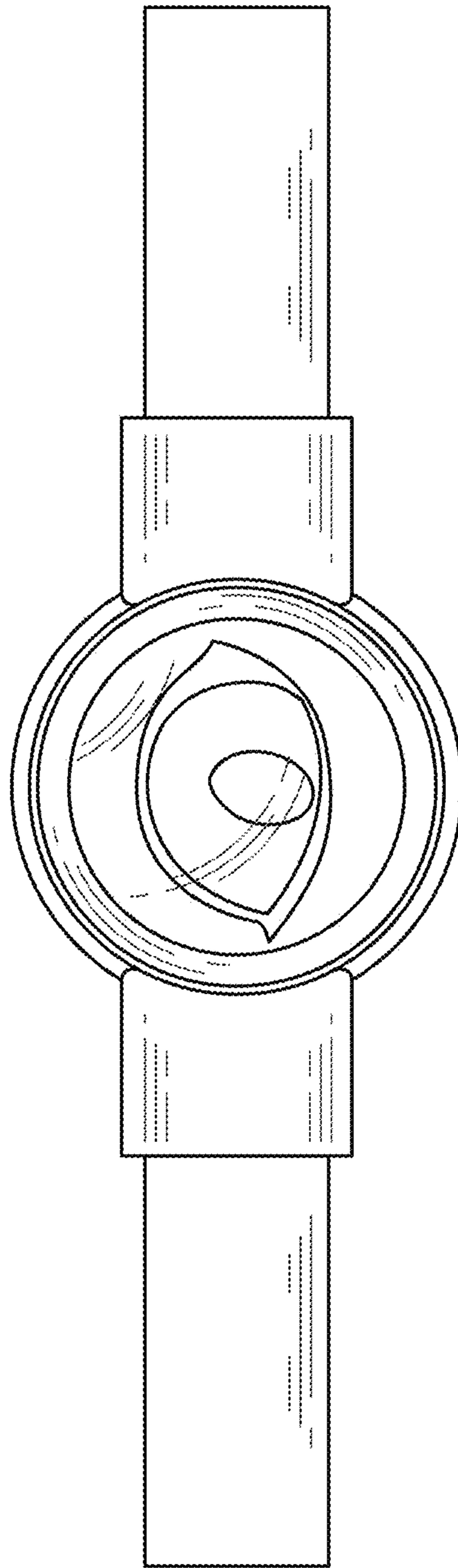


FIG.3

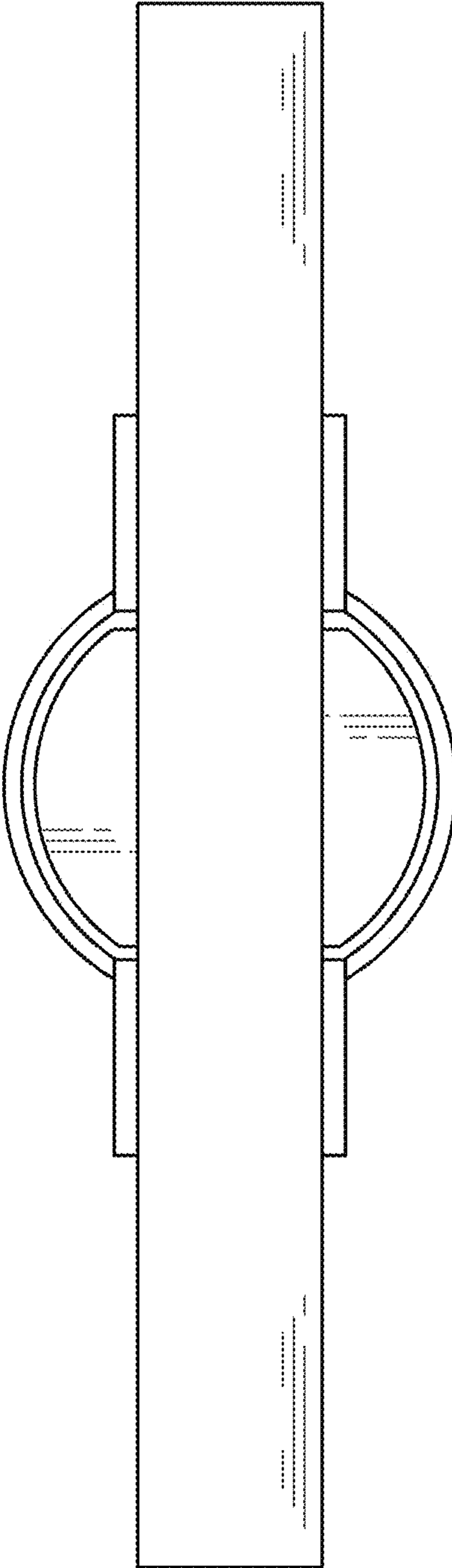


FIG.4

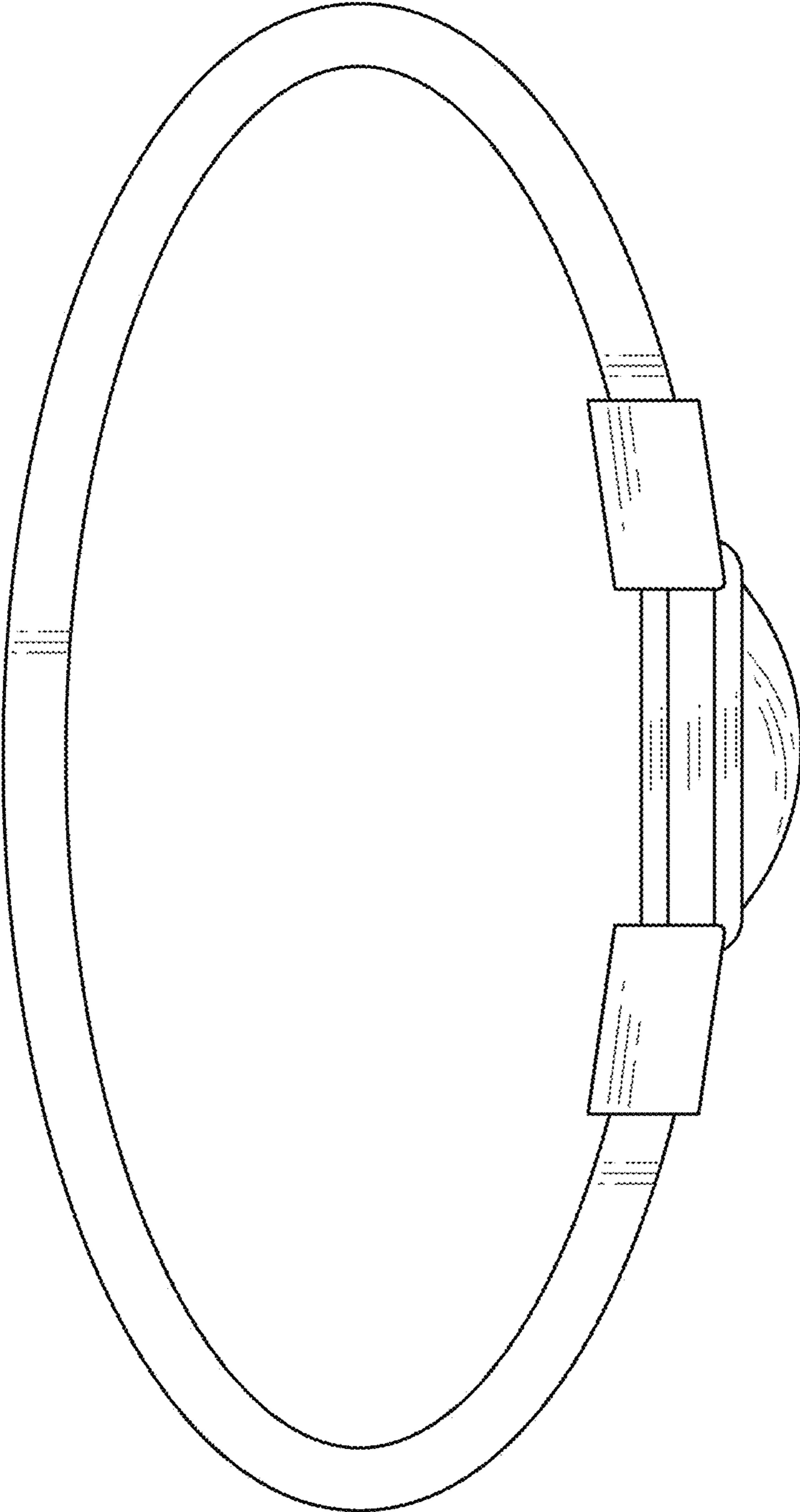


FIG. 5

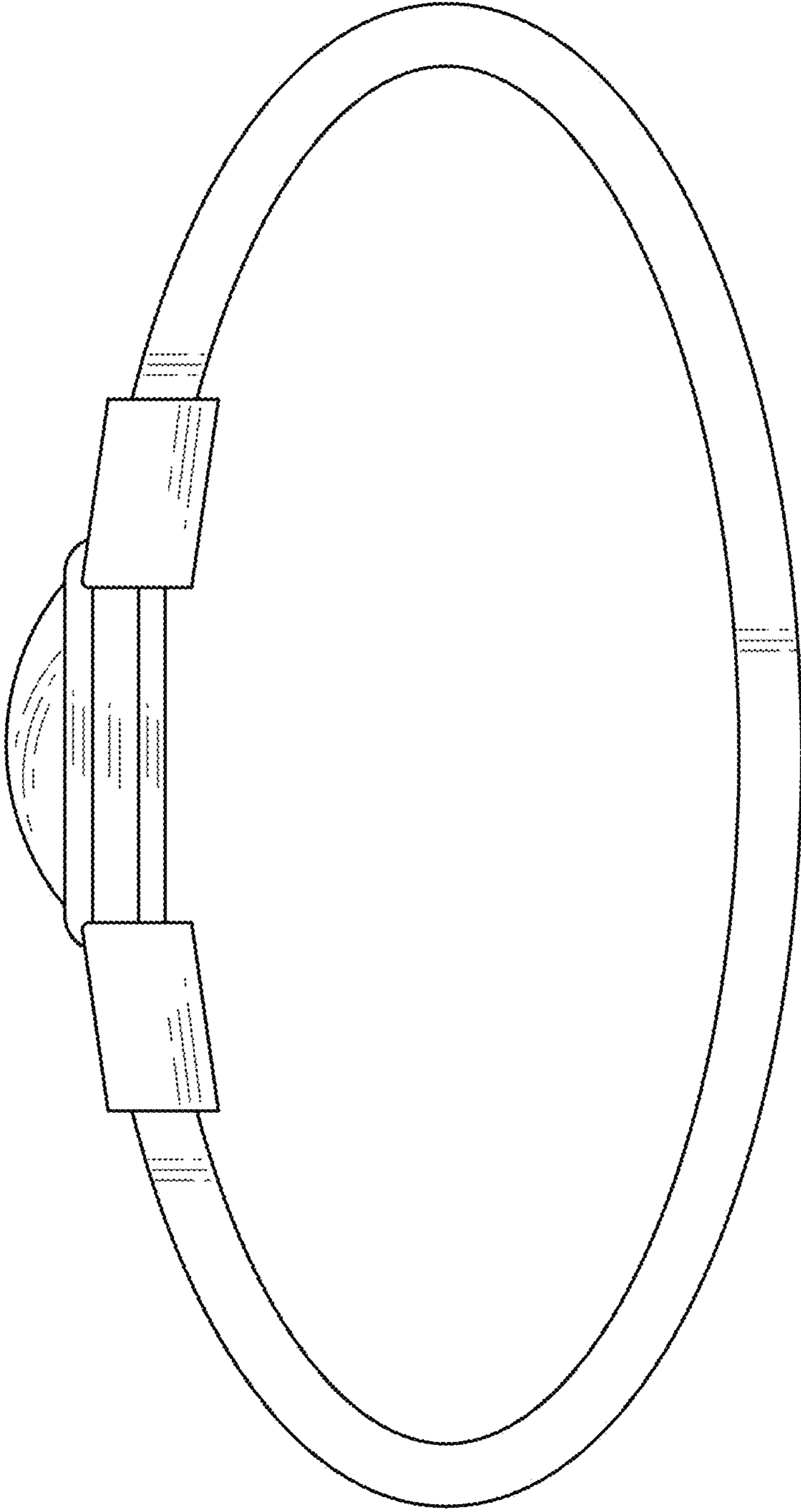


FIG. 6

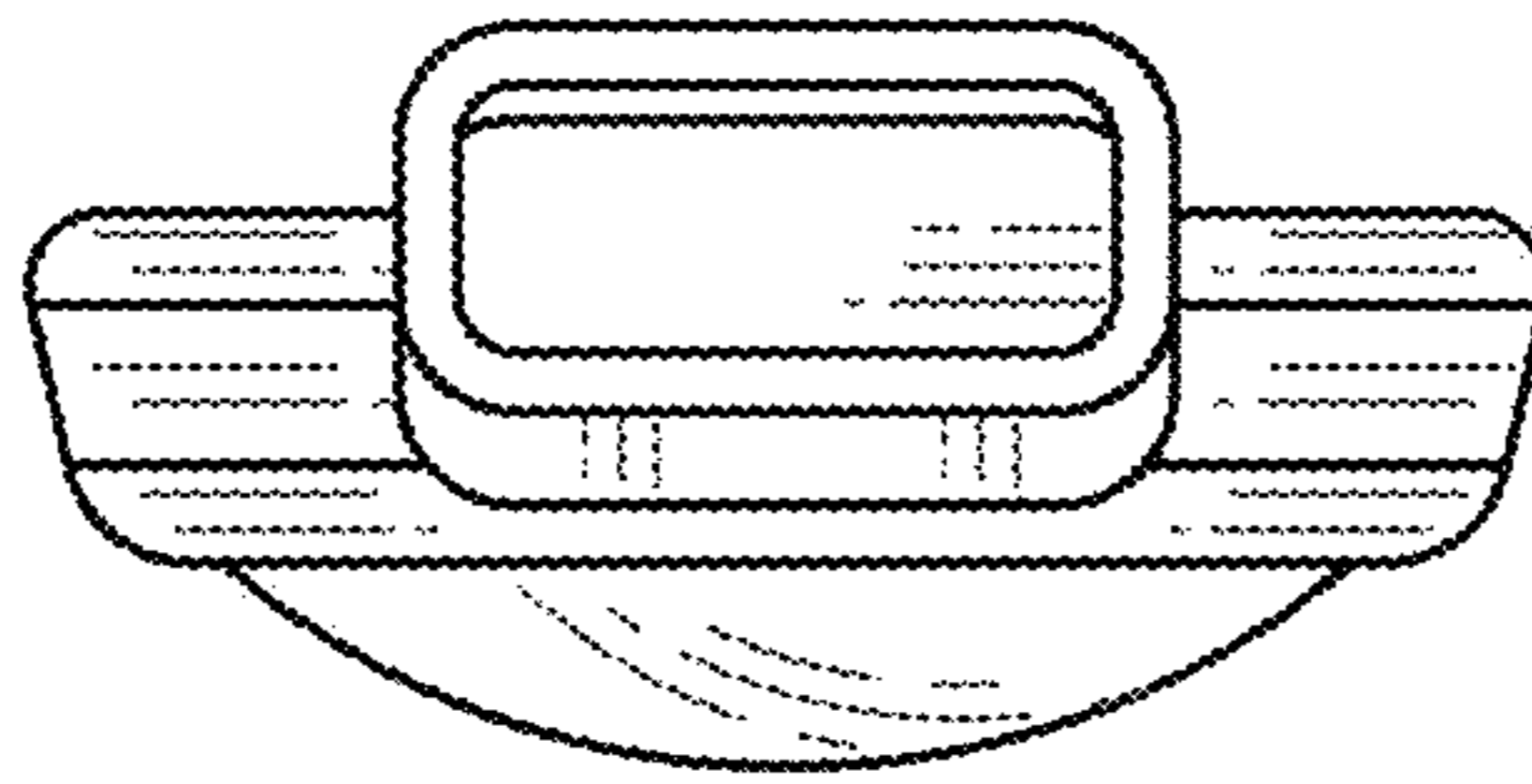


FIG. 7

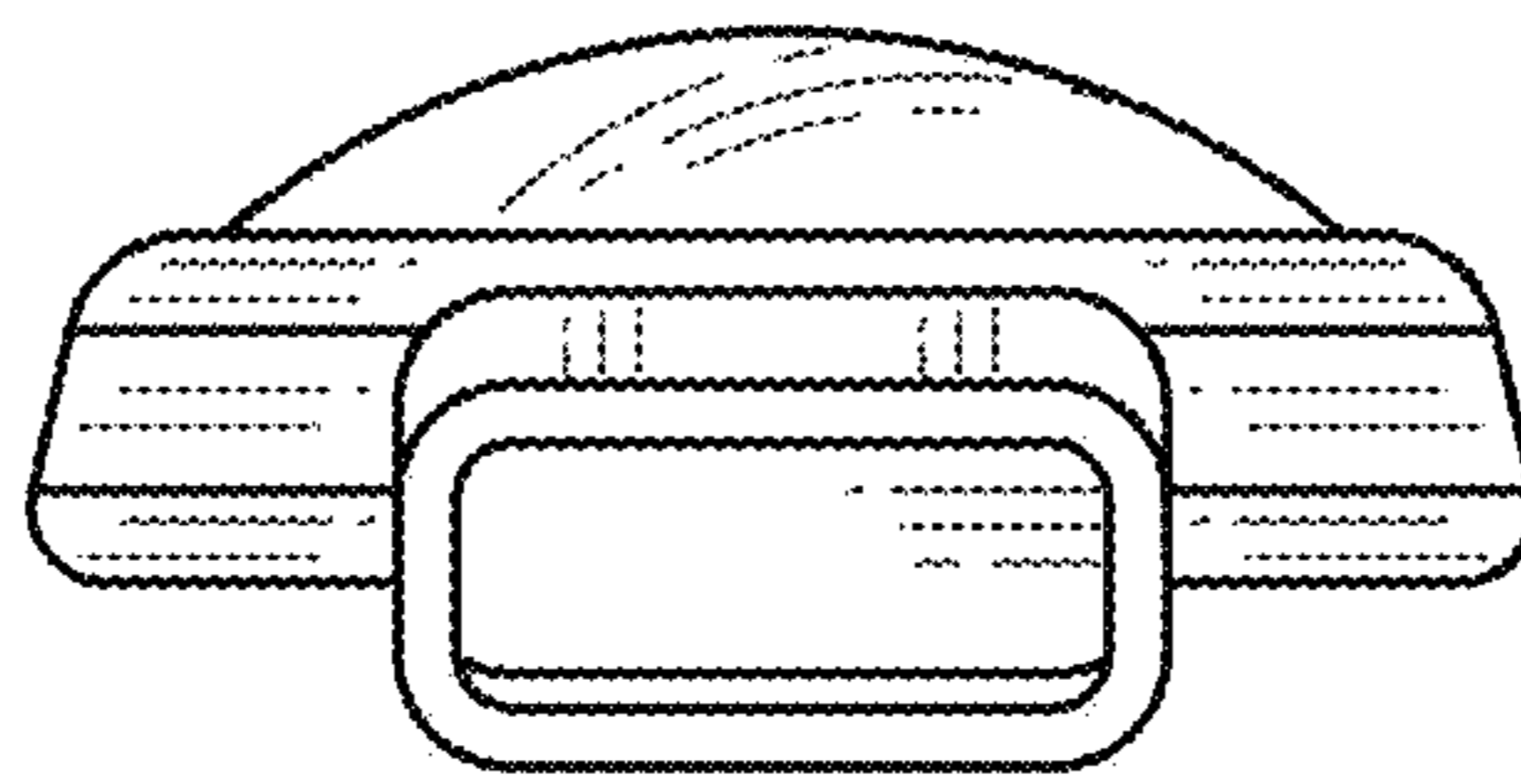


FIG. 8