



US00D925899S

(12) **United States Design Patent** (10) **Patent No.:** **US D925,899 S**  
**Little** (45) **Date of Patent:** **\*\* Jul. 27, 2021**

(54) **SHOE**  
(71) Applicant: **NIKE, Inc.**, Beaverton, OR (US)  
(72) Inventor: **Drew Little**, Portland, OR (US)  
(73) Assignee: **NIKE, Inc.**, Beaverton, OR (US)  
(\*\*) Term: **15 Years**

D762,353 S \* 8/2016 Sirius-El ..... D2/907  
D795,563 S \* 8/2017 Durand ..... D2/973  
D846,855 S 4/2019 Ford  
D851,379 S 6/2019 Dieudonne  
D851,903 S 6/2019 Young  
D864,553 S \* 10/2019 Petrie ..... D2/973  
D888,405 S \* 6/2020 Ruark ..... D2/973  
D895,251 S \* 9/2020 Felloni ..... D2/969  
D897,658 S \* 10/2020 DeAlmeida ..... D2/973  
D909,021 S \* 2/2021 Sartori ..... D2/907  
D911,017 S \* 2/2021 Gerke ..... D2/973

(21) Appl. No.: **29/710,617**

\* cited by examiner

(22) Filed: **Oct. 24, 2019**

*Primary Examiner* — Kevin K Rudzinski

(51) **LOC (13) Cl.** ..... **02-04**

*Assistant Examiner* — Clare Ann Gannon

(52) **U.S. Cl.**  
USPC ..... **D2/973**

(74) *Attorney, Agent, or Firm* — Banner & Witcoff, Ltd.

(58) **Field of Classification Search**  
USPC ..... D2/902, 907, 908, 943–946, 969,  
D2/972–974, 976–978  
CPC .. A43B 23/24; A43B 5/00; A43B 5/06; A43B  
5/10; A43C 19/00; A43C 7/00; A43C  
7/005; A43C 7/04; A43C 7/06; A43C  
7/08

(57) **CLAIM**

The ornamental design for a shoe, as shown and described.

See application file for complete search history.

**DESCRIPTION**

FIG. 1 is a side view of a shoe showing my new design;  
FIG. 2 is a front perspective view thereof;  
FIG. 3 is an opposite side front perspective view thereof;  
FIG. 4 is an opposite side view thereof; and,  
FIG. 5 is a top view thereof.

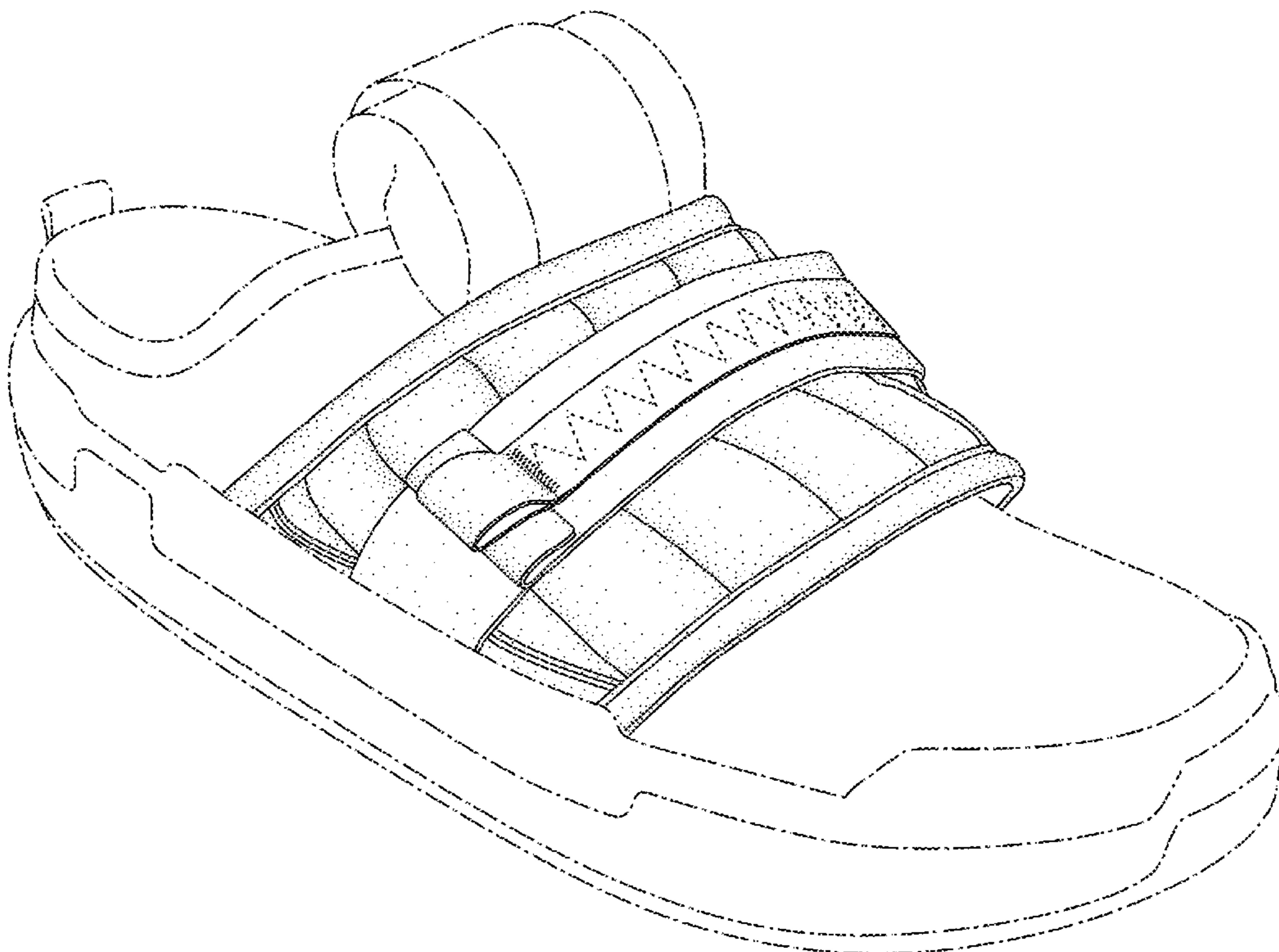
The uneven length broken lines immediately adjacent to the shaded area define the bounds of the claimed design and form no part thereof. The even length broken lines within the shaded area represent stitching and form no part of the claimed design. The uneven length broken lines depicting the remainder of the shoe show features that form no part of the claimed design.

(56) **References Cited**

U.S. PATENT DOCUMENTS

D377,860 S \* 2/1997 Renault ..... D2/916  
D446,918 S \* 8/2001 Lamprou ..... D2/916  
D550,430 S \* 9/2007 Martin, Jr. .... D11/3  
D580,148 S \* 11/2008 Schoenborn ..... D2/969  
D695,497 S \* 12/2013 Sanner ..... D2/902  
D747,082 S \* 1/2016 Lan ..... D2/946  
D751,282 S \* 3/2016 Larue ..... D2/978

**1 Claim, 5 Drawing Sheets**



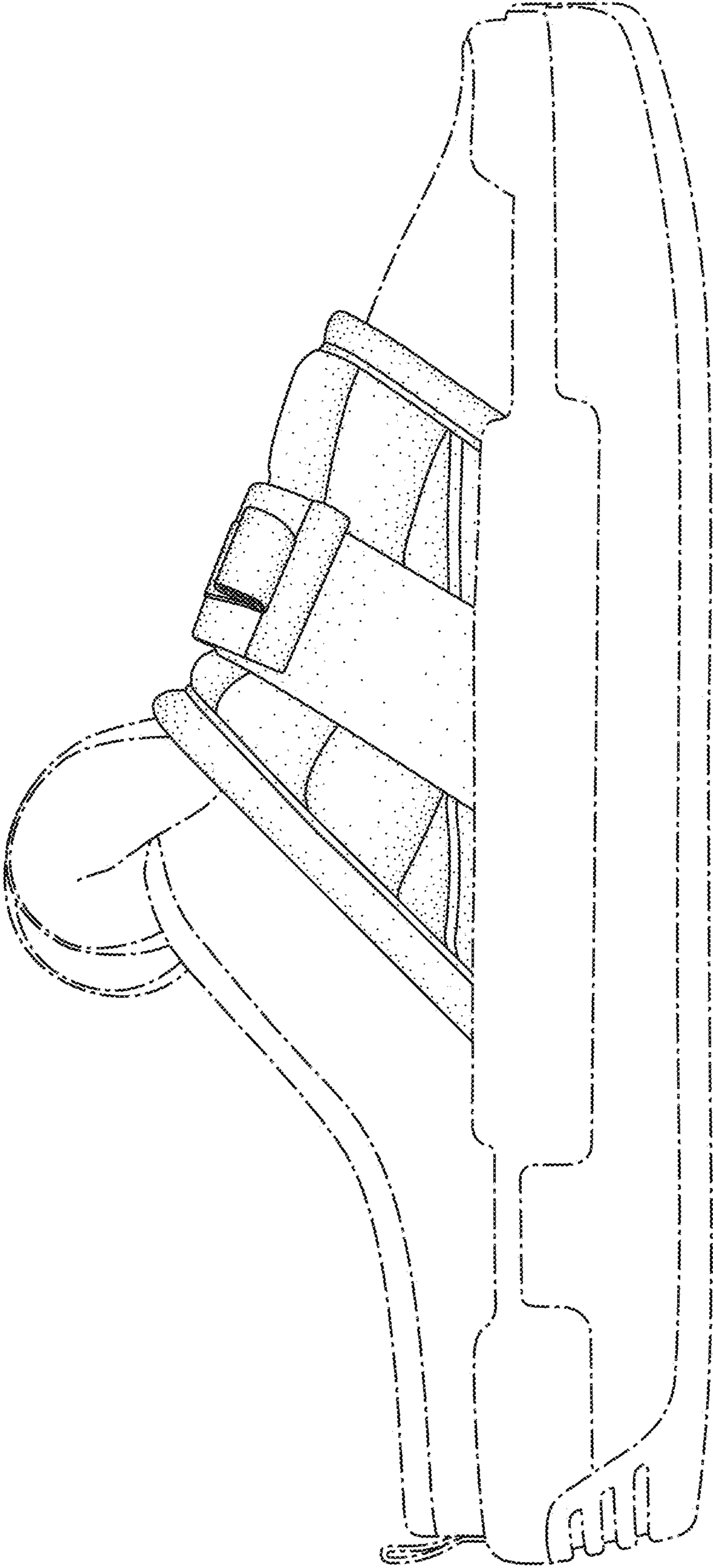


FIG. 1

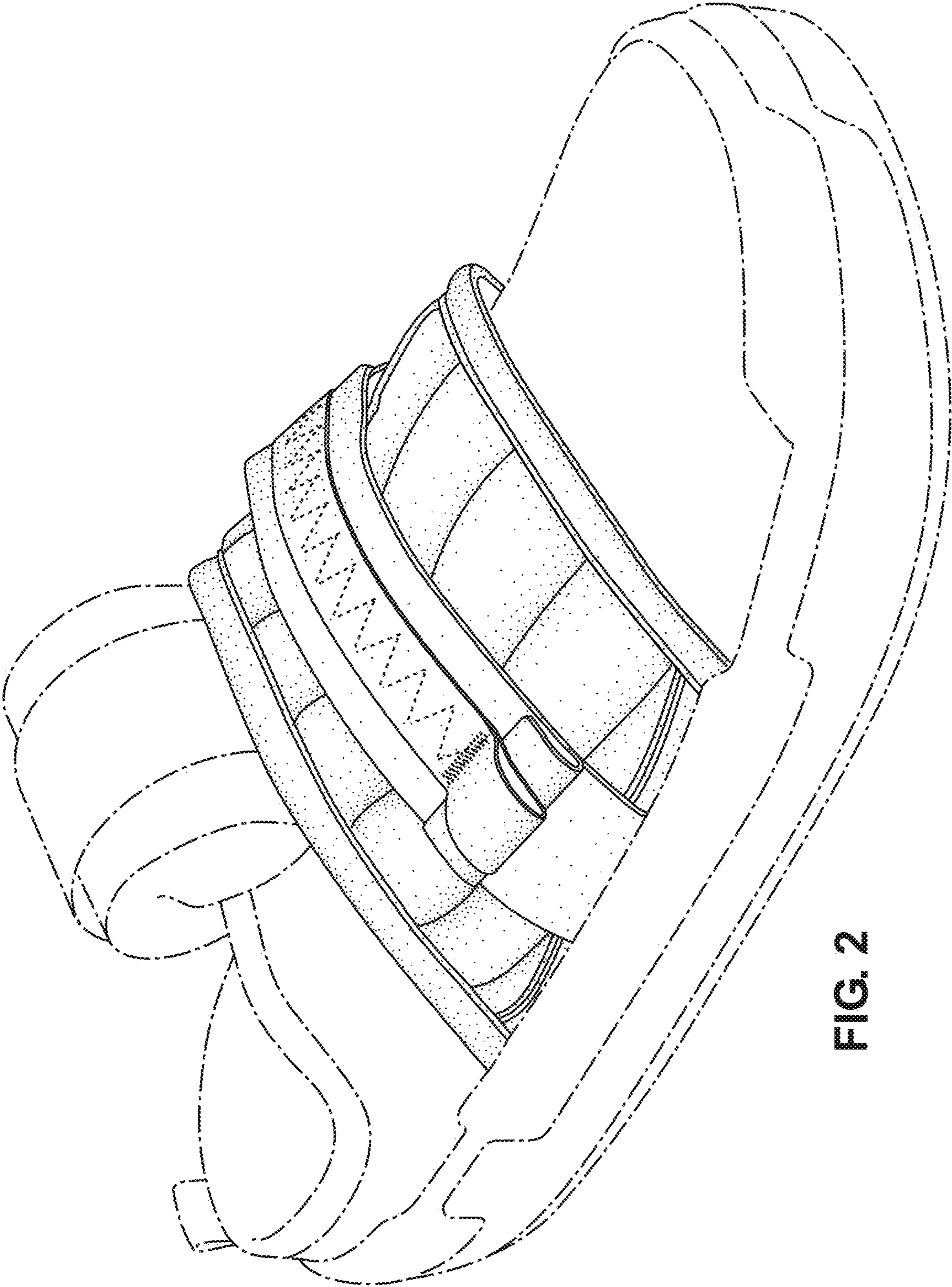


FIG. 2



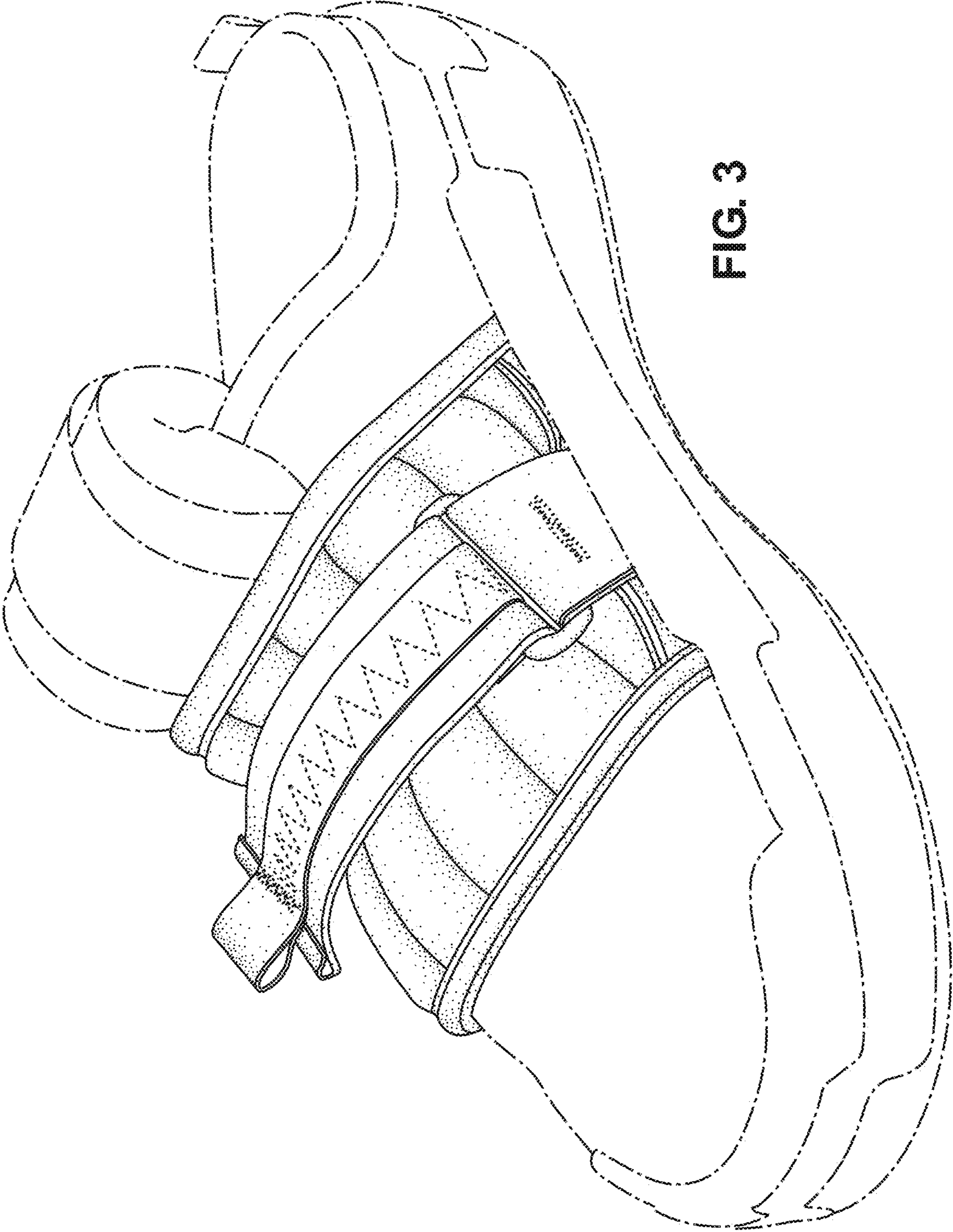


FIG. 3

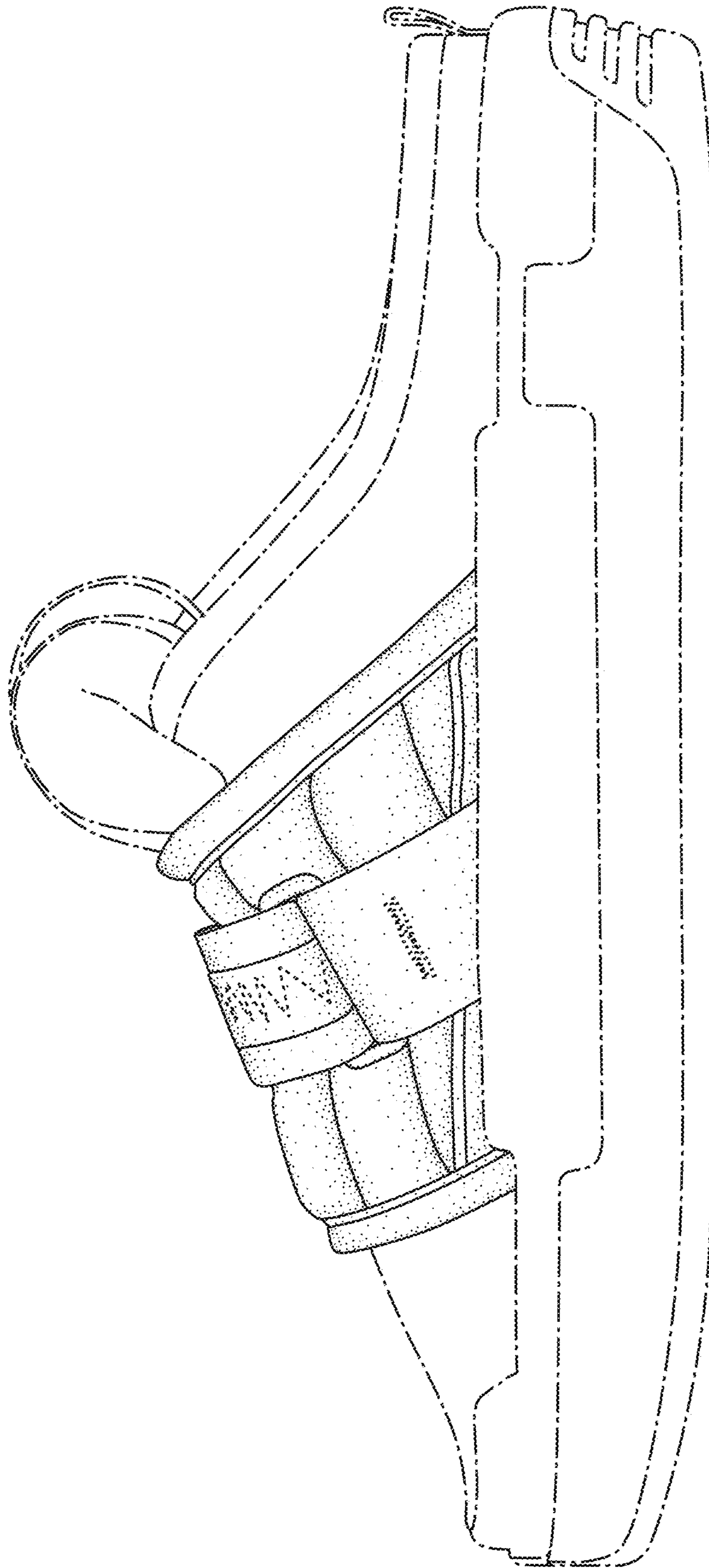


FIG. 4

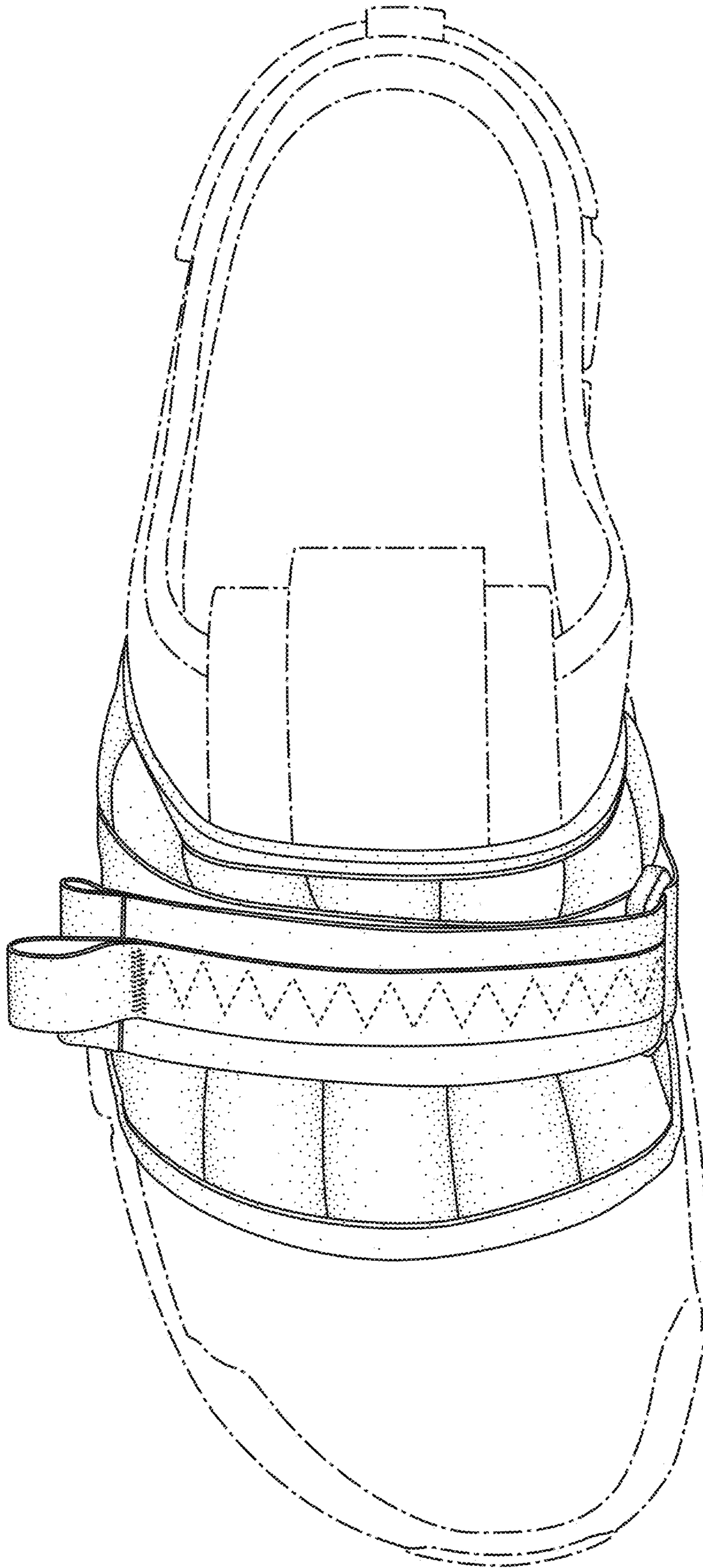


FIG. 5