



US00D925879S

(12) **United States Design Patent**
Mokos et al.

(10) **Patent No.:** **US D925,879 S**

(45) **Date of Patent:** **** Jul. 27, 2021**

- (54) **SHOE SOLE**
- (71) Applicant: **Cole Haan LLC**, Greenland, NH (US)
- (72) Inventors: **Jeffrey Mokos**, Greenland, NH (US); **Scott Patt**, Greenland, NH (US); **Kyle Jenkins**, Greenland, NH (US); **Mattias Verfl**, Greenland, NH (US); **Michael Weyrauch**, Greenland, NH (US); **Jose A. Tejada Bernard**, Greenland, NH (US)
- (73) Assignee: **COLE HAAN LLC**, Greenland, NH (US)

(**) Term: **15 Years**

(21) Appl. No.: **29/714,981**

(22) Filed: **Nov. 27, 2019**

(51) **LOC (13) Cl.** **02-04**

(52) **U.S. Cl.**
USPC **D2/960; D2/947; D2/951; D2/953**

(58) **Field of Classification Search**
USPC D2/902, 906, 908, 916, 918, 925, D2/946-962, 977; 36/3 B, 22 R, 24.5, 36/25 R, 28, 32 R, 34 R, 59 C, 67 A, 103
CPC A43B 13/00; A43B 13/02; A43B 13/023; A43B 13/026; A43B 13/04; A43B 13/08; A43B 13/10; A43B 13/12; A43B 13/14; A43B 13/141; A43B 13/143; A43B 13/16; A43B 13/18; A43B 13/181; A43B 13/187; A43B 13/189; A43B 13/20; A43B 13/22; A43B 13/223; A43B 13/24; A43B 13/28; A43B 13/30; A43B 13/32; A43B 13/34; A43B 13/36

See application file for complete search history.

(56) **References Cited**

U.S. PATENT DOCUMENTS

- 2,259,586 A * 10/1941 Ross A43D 25/18
12/146 B
- 3,169,327 A * 2/1965 Tatuo Fukuoka A43B 5/007
36/34 R

- D395,541 S * 6/1998 Bray, Jr. A43D 25/18
D2/960
- D397,851 S * 9/1998 Greenberg D2/960
- D401,740 S * 12/1998 Davis D2/947
- D662,292 S * 6/2012 Meynard D2/923
- D714,036 S * 9/2014 Etcheverry D2/953
- D728,911 S * 5/2015 Spring A43B 3/0057
D2/953
- D730,035 S * 5/2015 Henderson D2/960
- D748,386 S * 2/2016 Henderson D2/960
- D756,620 S * 5/2016 Boys D2/960
- D789,044 S * 6/2017 Taestensen D2/908
- D816,308 S * 5/2018 Boys D2/945
- D843,098 S * 3/2019 Natowich McPhee D2/960
- D876,782 S * 3/2020 Fontaine D2/960

(Continued)

Primary Examiner — T Chase Nelson

(74) *Attorney, Agent, or Firm* — Thompson Coburn LLP

(57) **CLAIM**

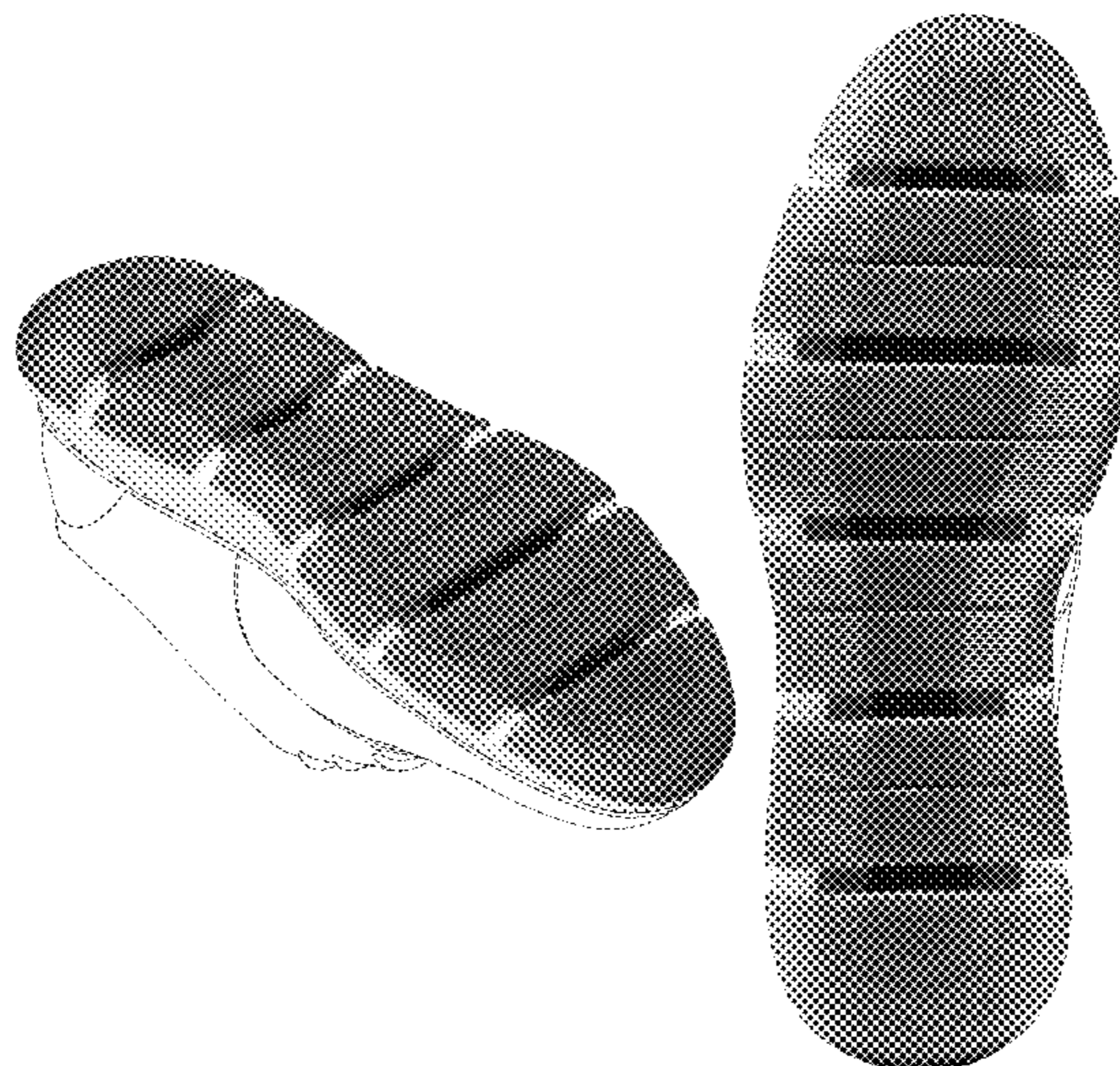
The ornamental design for a shoe sole, as shown and described.

DESCRIPTION

FIG. 1 is a first perspective view of a shoe sole showing our new design;
 FIG. 2 is a second perspective view thereof;
 FIG. 3 is a front view thereof;
 FIG. 4 is a rear view thereof;
 FIG. 5 is a left side view thereof;
 FIG. 6 is a right side view thereof;
 FIG. 7 is a top view thereof; and,
 FIG. 8 is a top view thereof.

The dot-dash-dot broken lines immediately adjacent the photographic areas represent unclaimed boundaries of the design. The broken lines form no part of the claimed design. Color forms no part of the claimed design.

1 Claim, 8 Drawing Sheets



(56)

References Cited

U.S. PATENT DOCUMENTS

D880,819	S *	4/2020	Verfl	D2/908
D885,019	S *	5/2020	Shyllon	D2/947
D887,682	S *	6/2020	Sogorb	D2/902
D889,092	S *	7/2020	Verfl	D2/954
D889,093	S *	7/2020	Verfl	D2/954
D889,100	S *	7/2020	Street	D2/960
D894,544	S *	9/2020	Beaver	D2/902
D896,490	S *	9/2020	Hernandez	D2/953
D897,652	S *	10/2020	Wilkinson	D2/960
D903,248	S *	12/2020	Verfl	D2/908
D903,266	S *	12/2020	Fontaine	D2/960
D903,267	S *	12/2020	Fontaine	D2/960
D909,028	S *	2/2021	Beaver	D2/944
D909,724	S *	2/2021	Durflinger	D2/953
D909,729	S *	2/2021	Durflinger	D2/960
D910,291	S *	2/2021	Zeng	D2/947
D910,300	S *	2/2021	Comeaux	D2/960
2014/0305006	A1 *	10/2014	Azoulay	A43B 13/141
				36/84
2015/0101215	A1 *	4/2015	Henderson	A43B 3/0057
				36/103
2017/0360141	A1 *	12/2017	Azoulay	A43B 3/10
2021/0015206	A1 *	1/2021	Boys	A43B 13/125

* cited by examiner

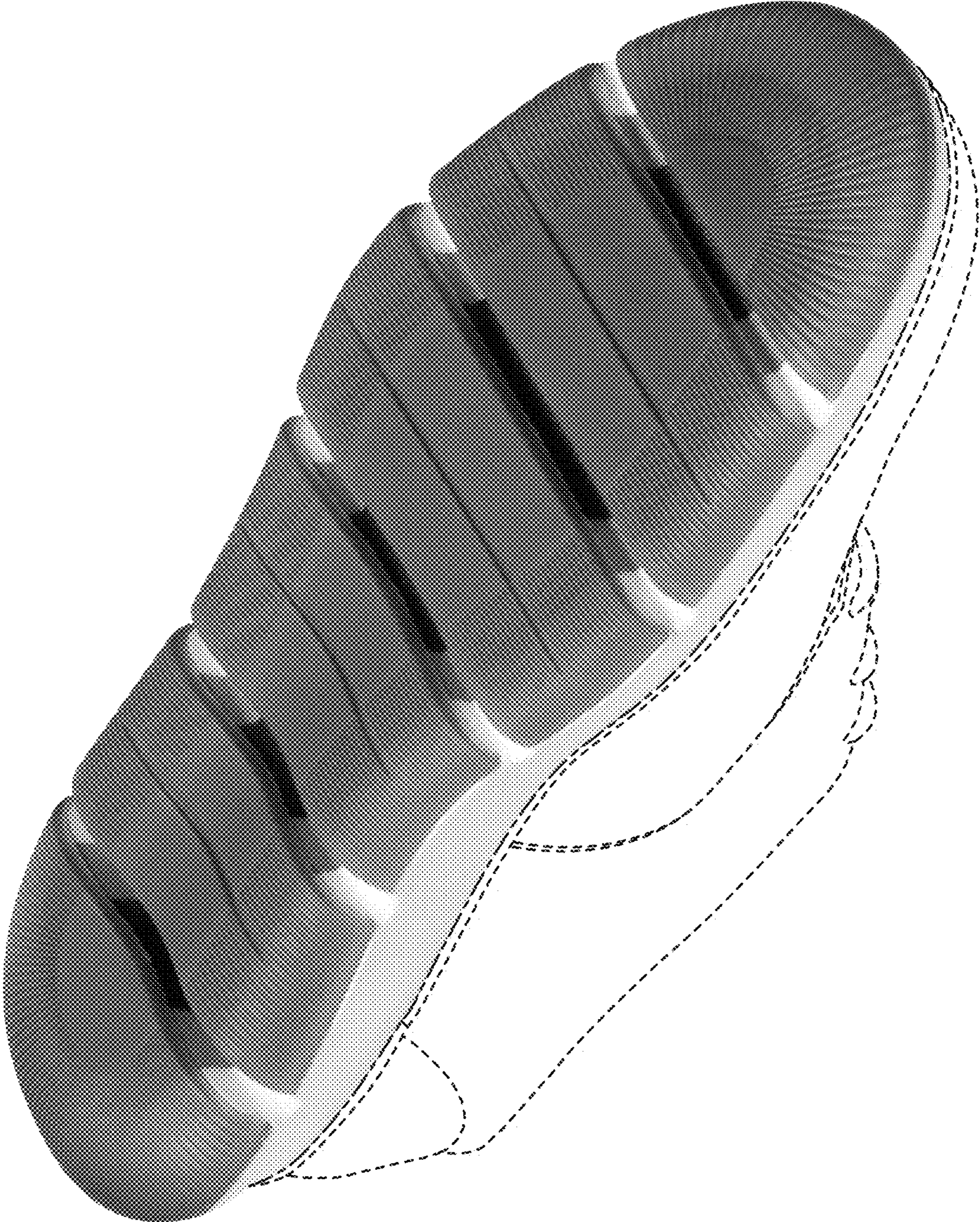


FIG. 1

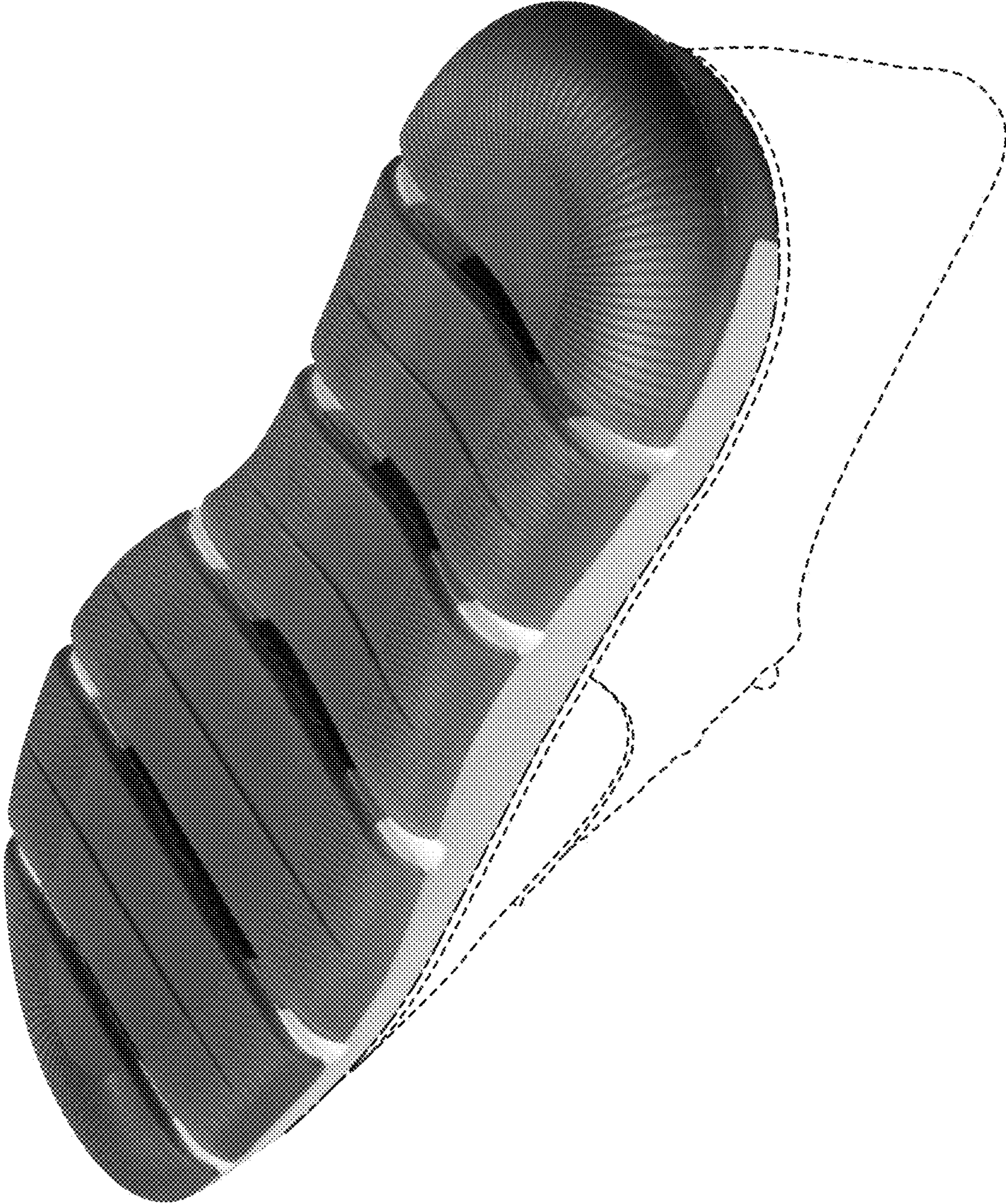


FIG. 2

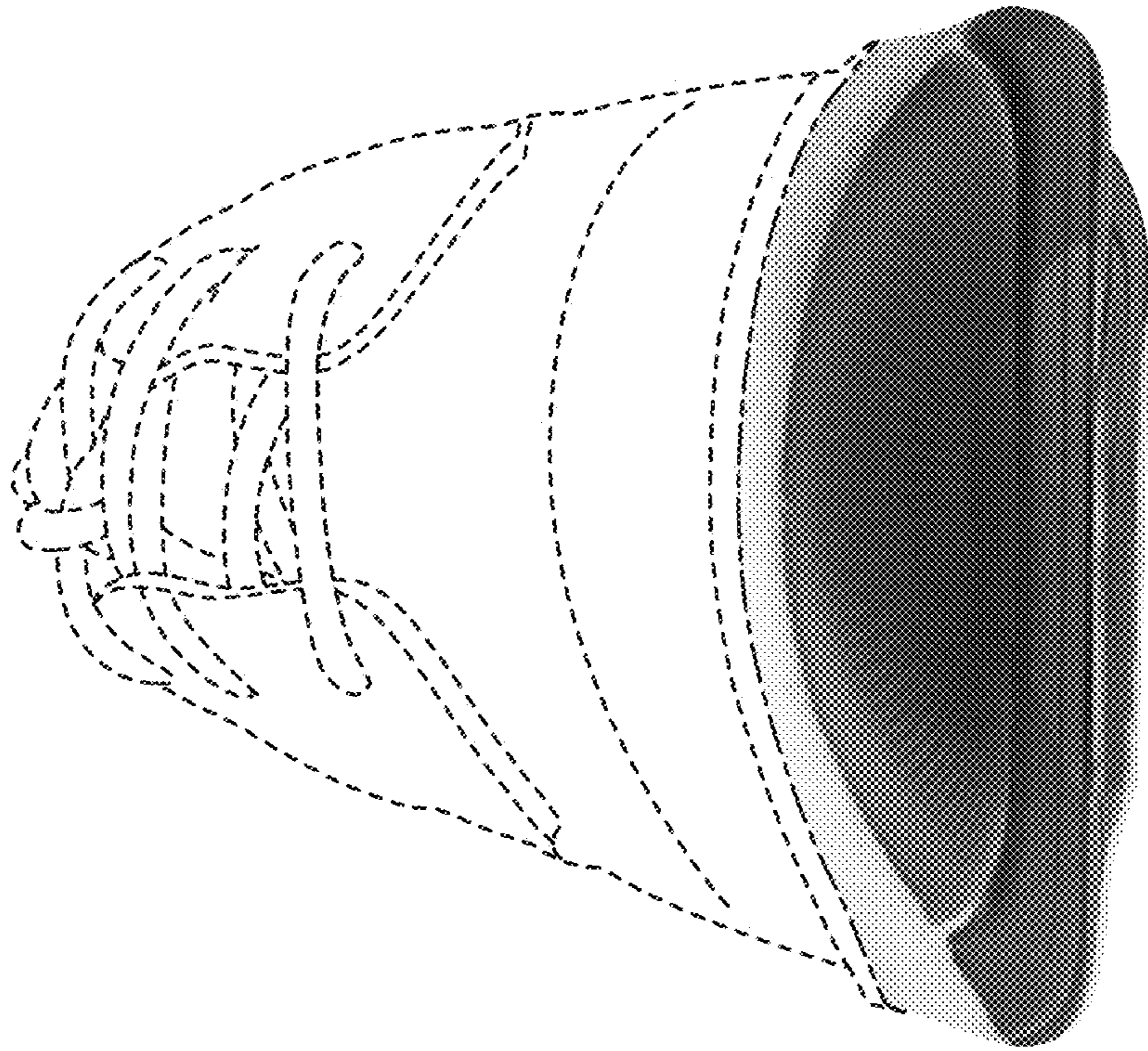


FIG. 3

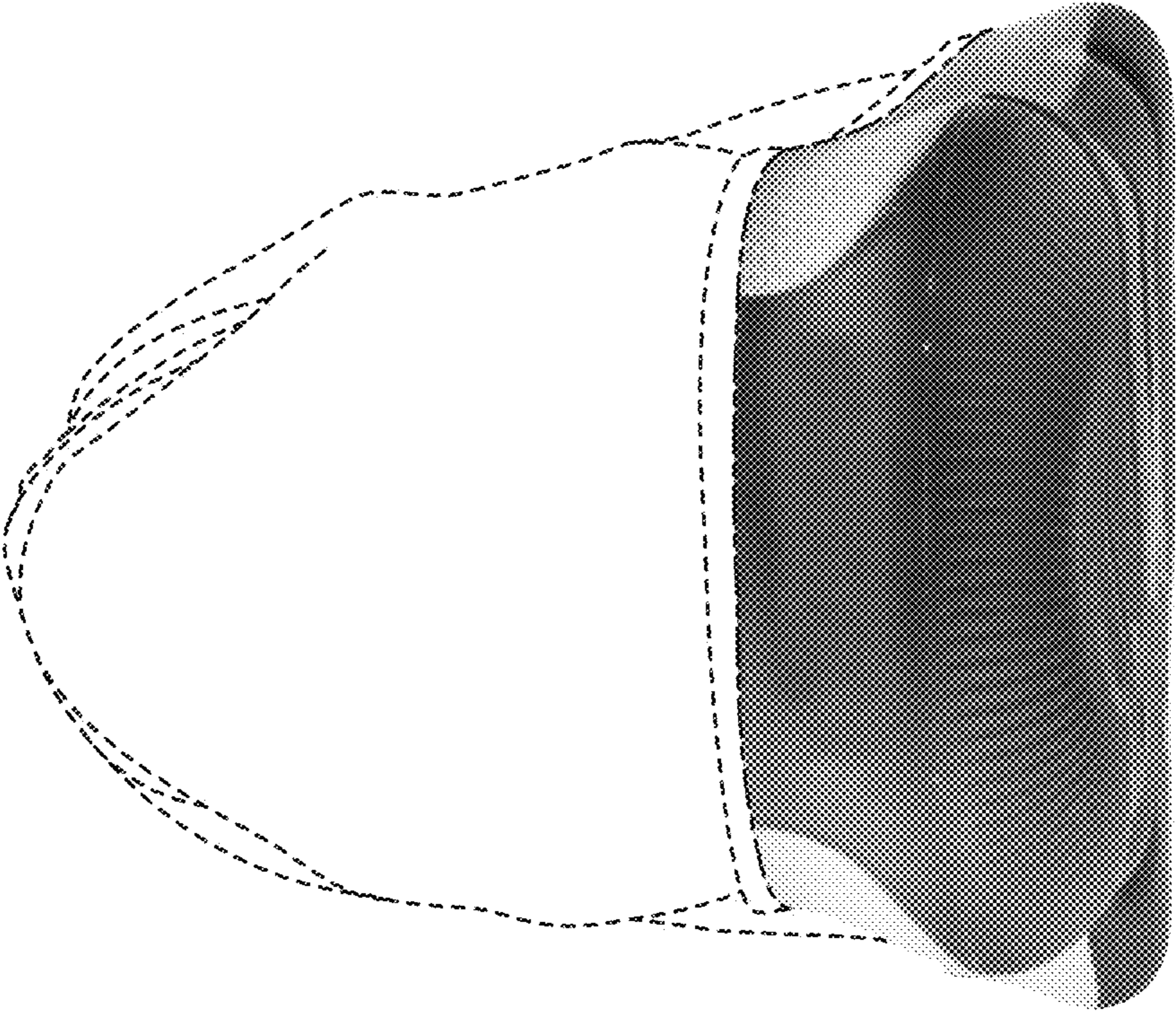


FIG. 4

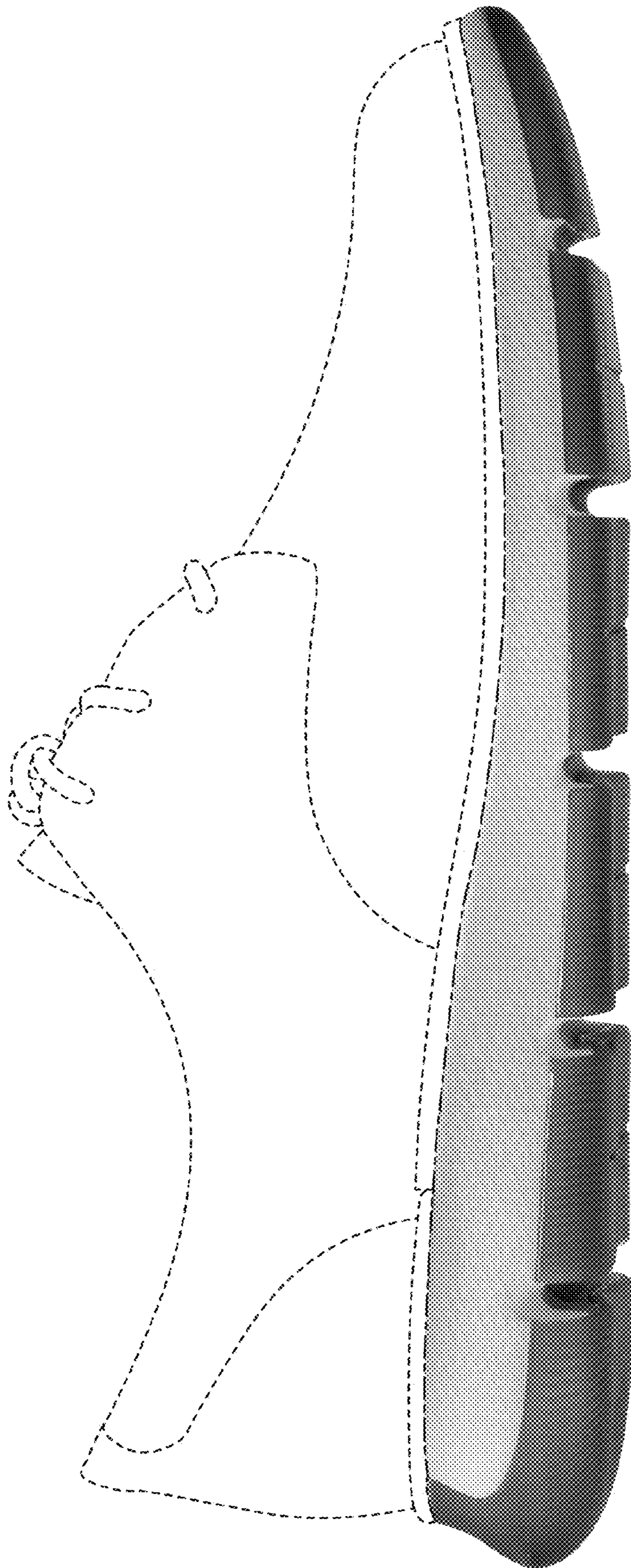


FIG. 5

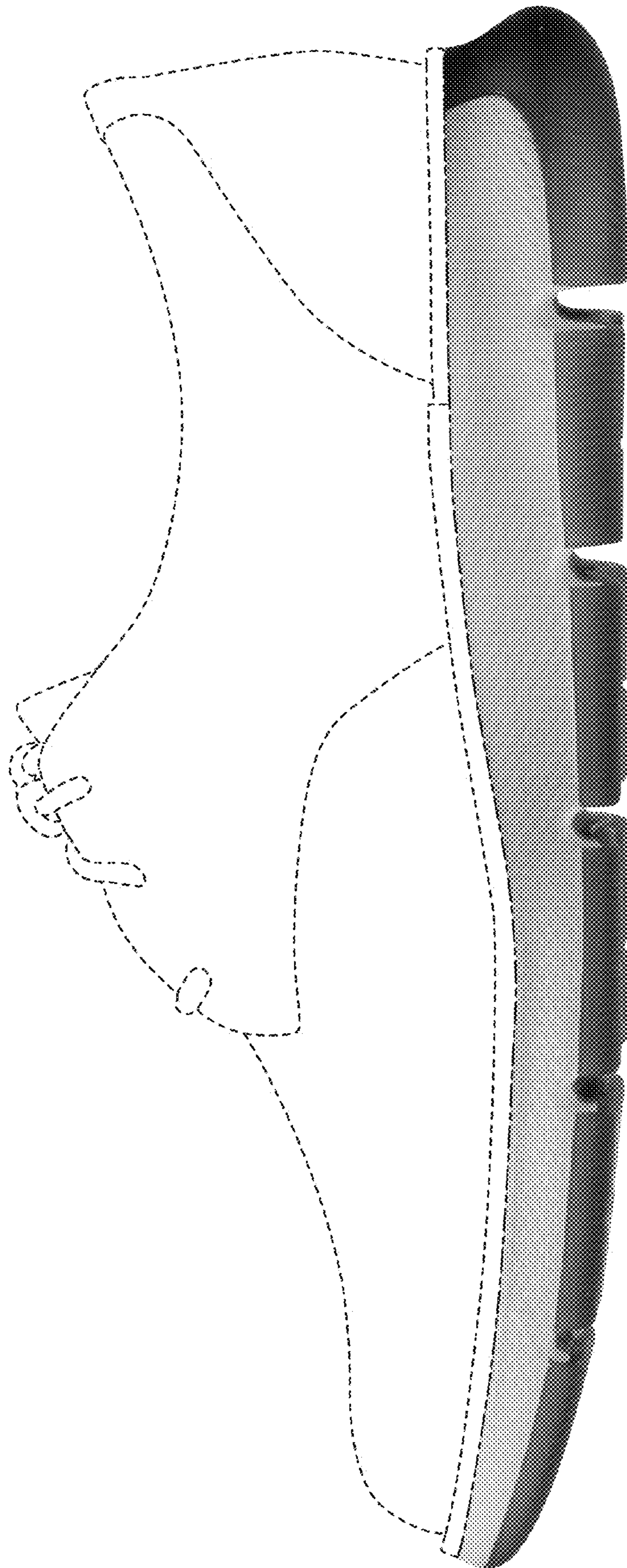


FIG. 6

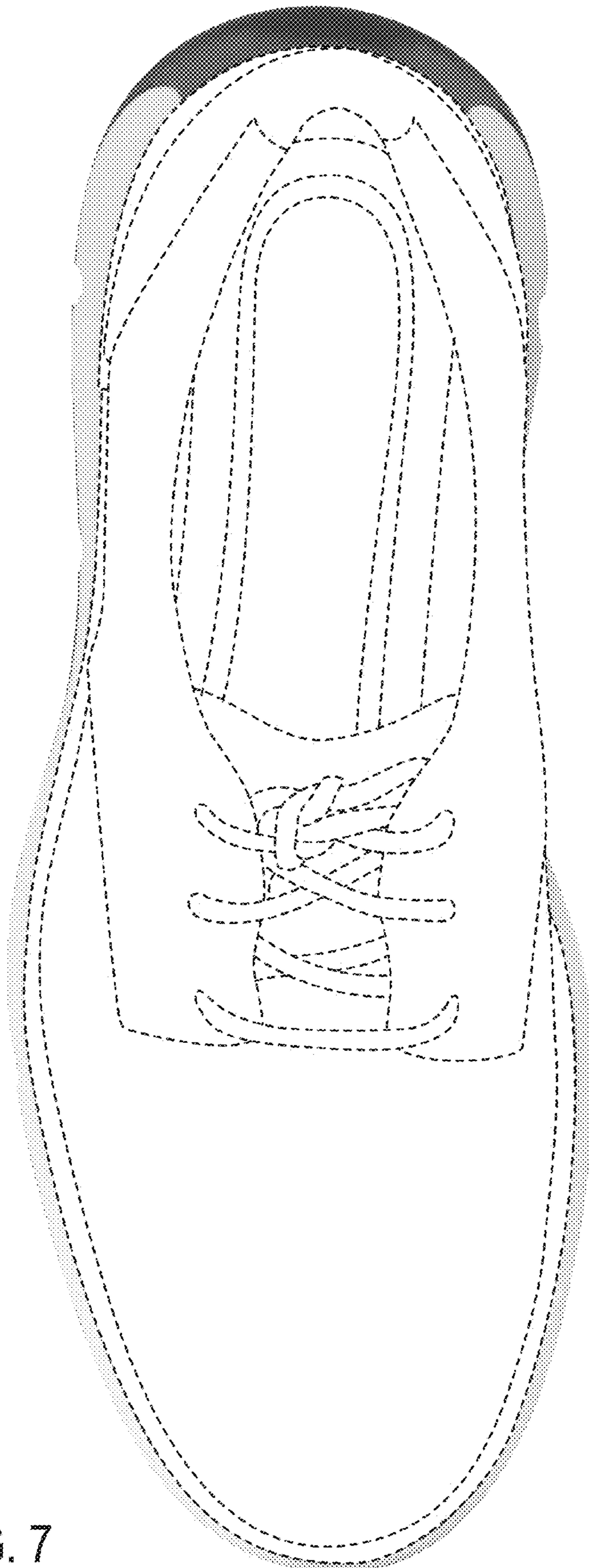


FIG. 7

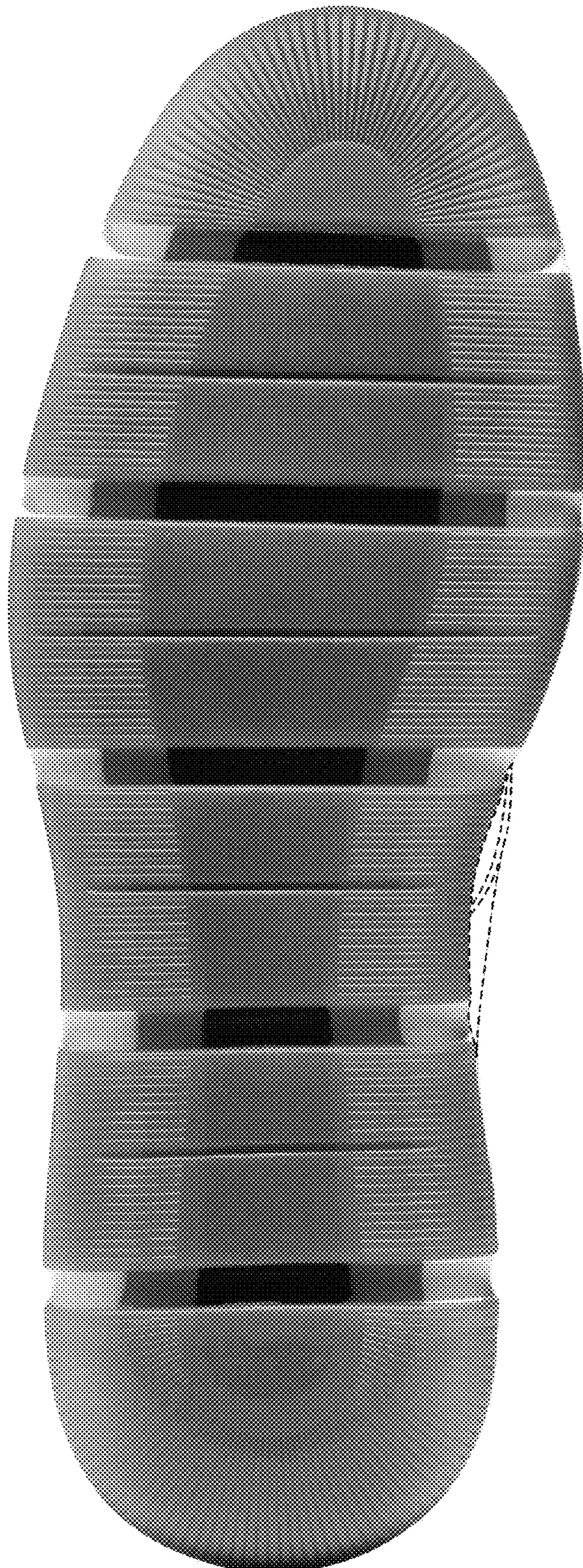


FIG. 8