



US00D925872S

(12) **United States Design Patent**  
**Bei**

(10) **Patent No.:** **US D925,872 S**

(45) **Date of Patent:** **\*\* Jul. 27, 2021**

(54) **LAWN AERATOR SANDAL**

(71) Applicant: **Yuhua Bei**, Ningbo (CN)

(72) Inventor: **Yuhua Bei**, Ningbo (CN)

(\*\*) Term: **15 Years**

(21) Appl. No.: **29/715,849**

(22) Filed: **Dec. 5, 2019**

(51) **LOC (13) Cl.** ..... **02-04**

(52) **U.S. Cl.**

USPC ..... **D2/906**

(58) **Field of Classification Search**

USPC ..... D15/10, 26, 28; D2/906, 916, 951

CPC ..... A01B 45/02; A01B 1/243; A01B 1/24;

A01B 1/00; A43C 15/068; A43C 15/06;

A43C 15/00; A43C 15/167; A43C

15/168; A43B 3/00; A43B 3/16

See application file for complete search history.

D299,285 S *	1/1989	Watson	.....	D2/962
4,856,599 A *	8/1989	Stammen	.....	A01B 1/00
				172/370
5,042,778 A *	8/1991	Szazy	.....	A01B 1/02
				254/132
D362,952 S *	10/1995	Steinbeck	.....	D2/806
5,555,943 A *	9/1996	Blasczyk	.....	A01B 1/165
				172/22
5,950,334 A *	9/1999	Gerhardt	.....	A43C 15/02
				36/59 R
6,223,456 B1 *	5/2001	Hawkins	.....	A01B 1/243
				172/22
D664,331 S *	7/2012	Weis	.....	D2/906
10,506,752 B1 *	12/2019	Mays	.....	A43B 3/00
2013/0048321 A1 *	2/2013	Xin	.....	A01B 1/243
				172/22

\* cited by examiner

*Primary Examiner* — Mark A Goodwin

(57) **CLAIM**

The ornamental design for a lawn aerator sandal, as shown and described.

(56) **References Cited**

**U.S. PATENT DOCUMENTS**

D171,717 S *	3/1954	Langford	.....	D2/906
2,714,768 A *	8/1955	Badler	.....	A43C 15/068
				36/1
2,779,262 A *	1/1957	Furr	.....	A01B 1/06
				172/370
2,910,127 A *	10/1959	Saunders	.....	A01B 1/243
				172/21
3,520,075 A *	7/1970	Mullikin	.....	A43B 5/18
				36/65
3,883,963 A *	5/1975	Barbitto, Sr.	.....	A43B 5/185
				36/135

**DESCRIPTION**

FIG. 1 is a front perspective view of a lawn aerator sandal, showing my new design;

FIG. 2 is a rear perspective view thereof;

FIG. 3 is a front elevational view thereof;

FIG. 4 is a rear elevational view thereof;

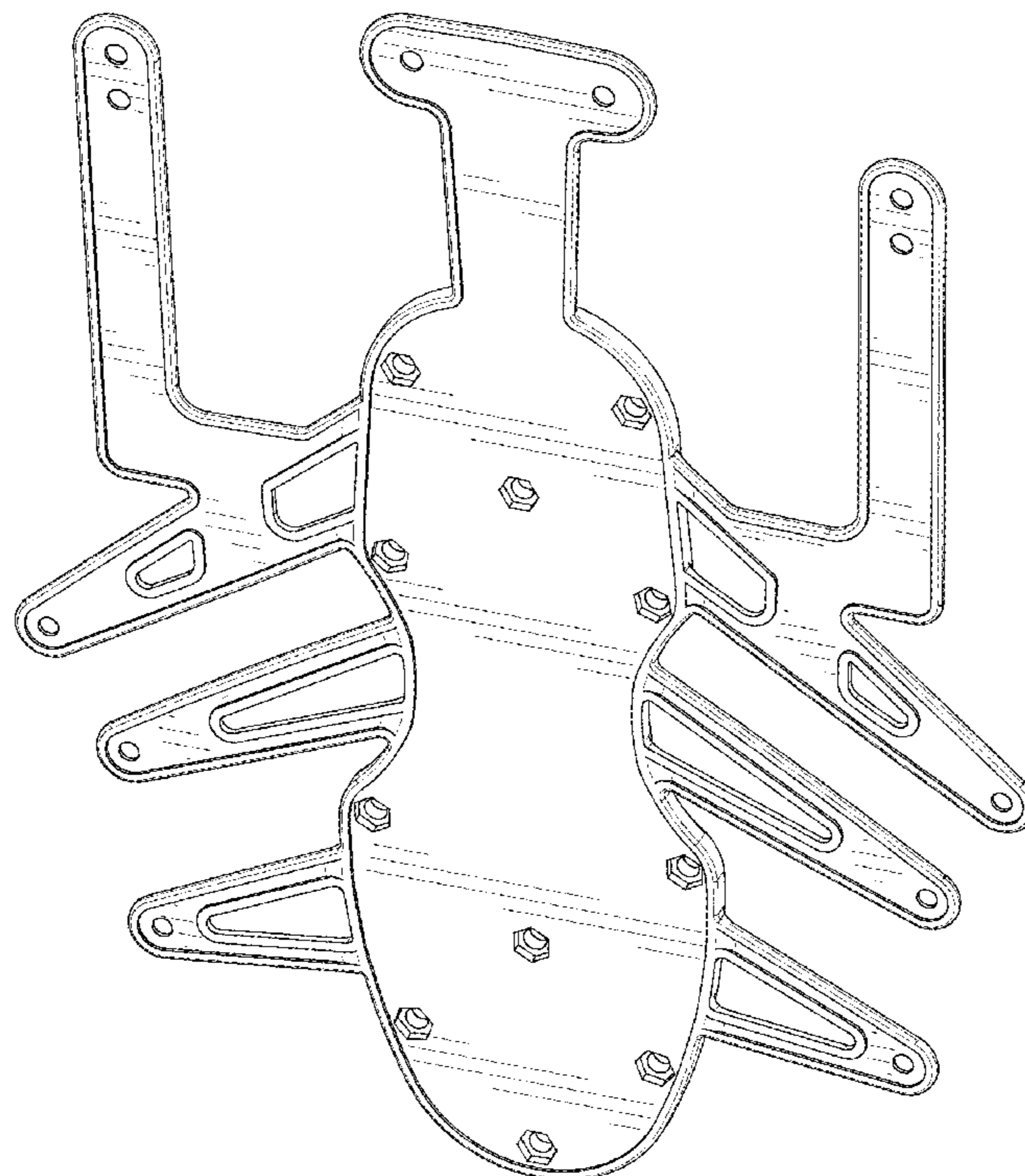
FIG. 5 is a left side elevational view thereof;

FIG. 6 is a right side elevational view thereof;

FIG. 7 is a top plan view thereof; and,

FIG. 8 is a bottom plan view thereof.

**1 Claim, 8 Drawing Sheets**



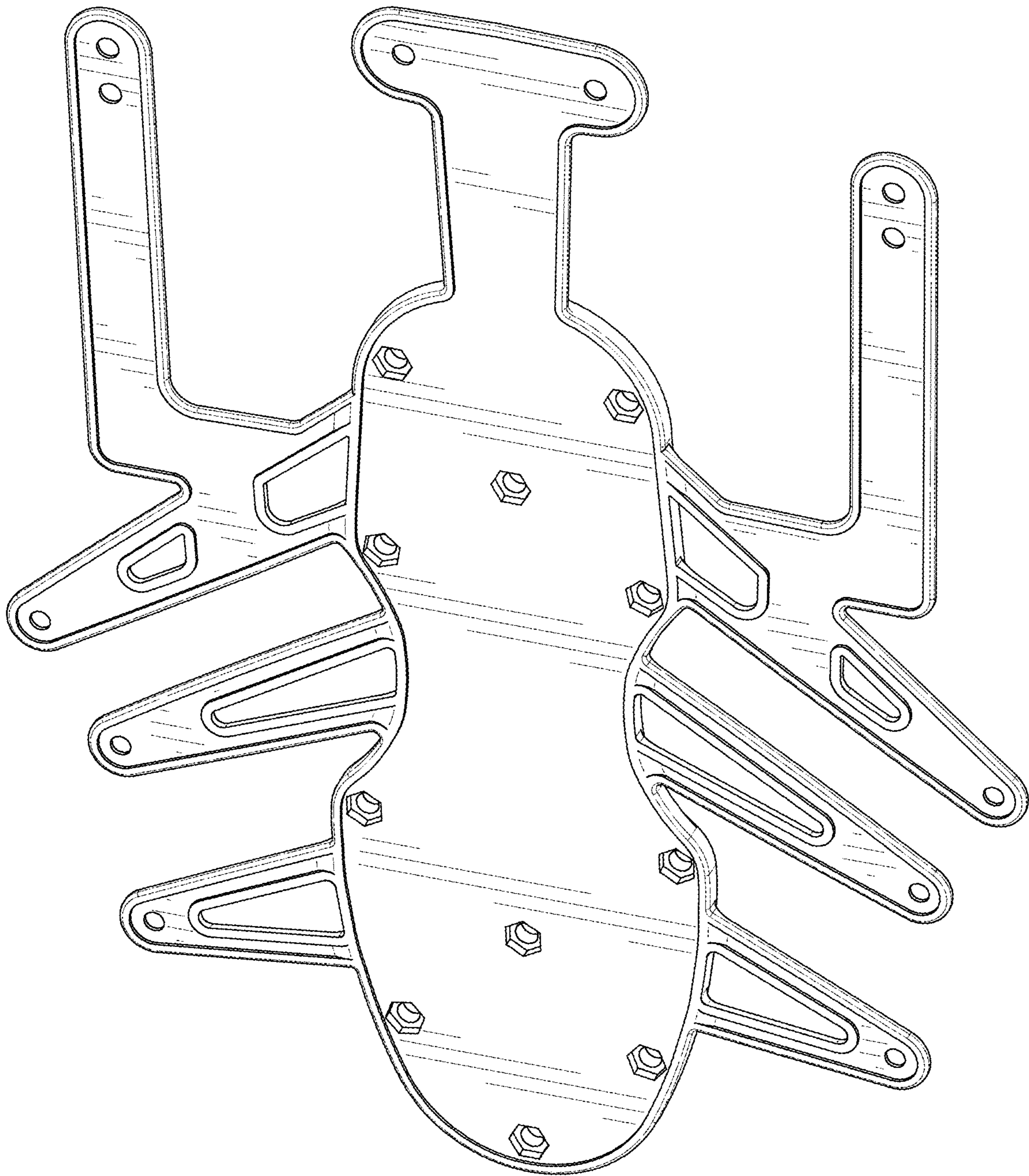


FIG. 1

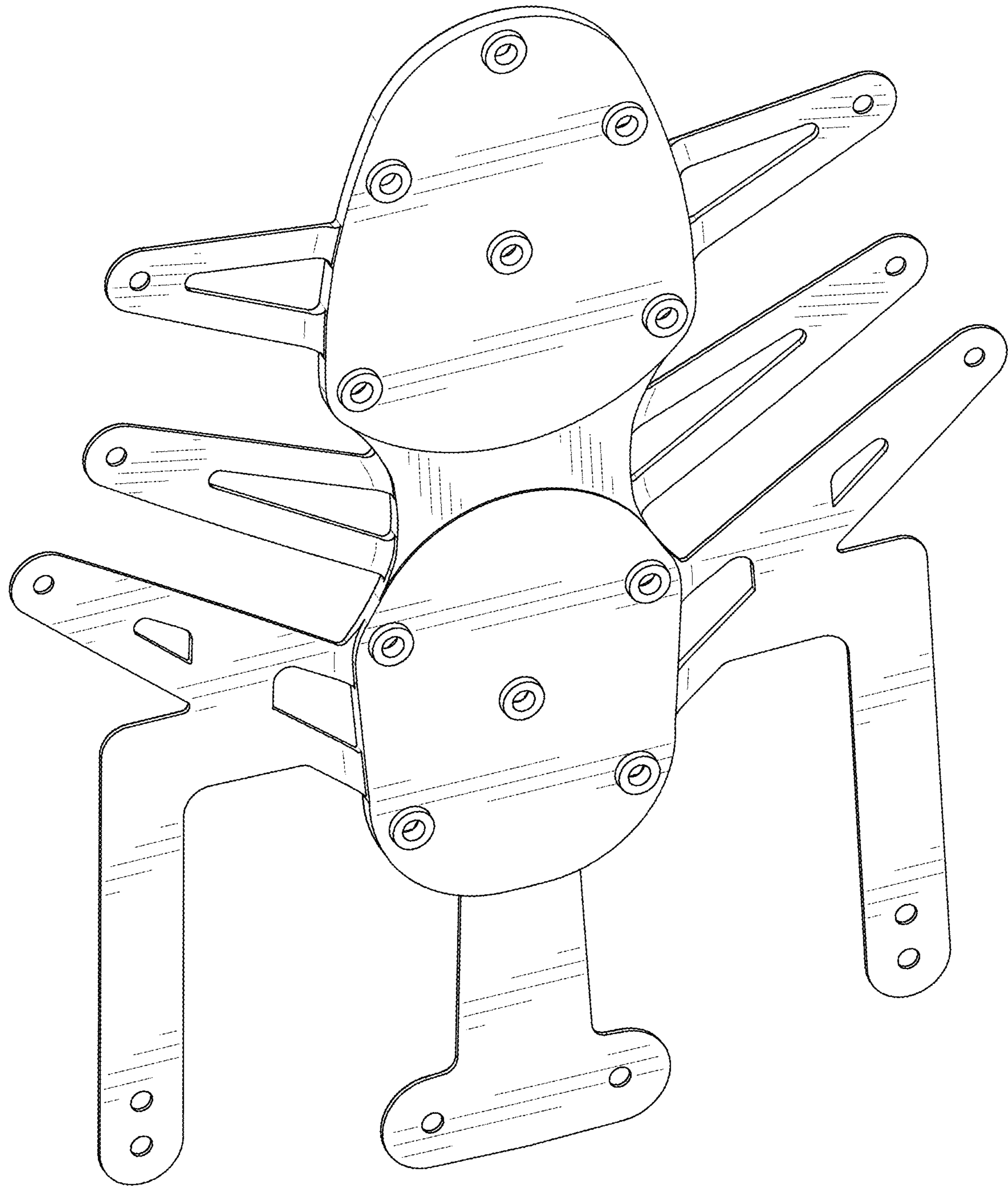


FIG. 2



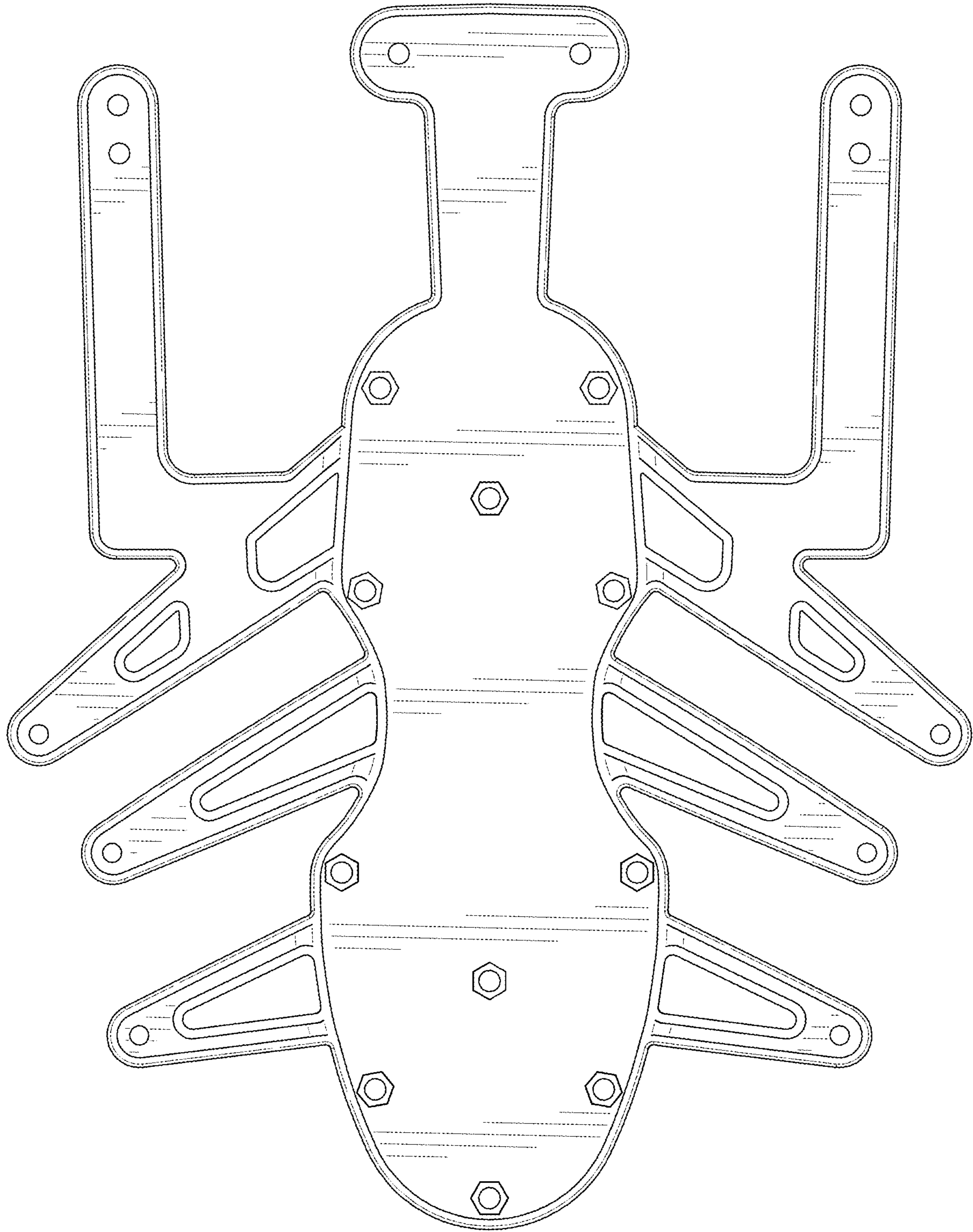


FIG. 3

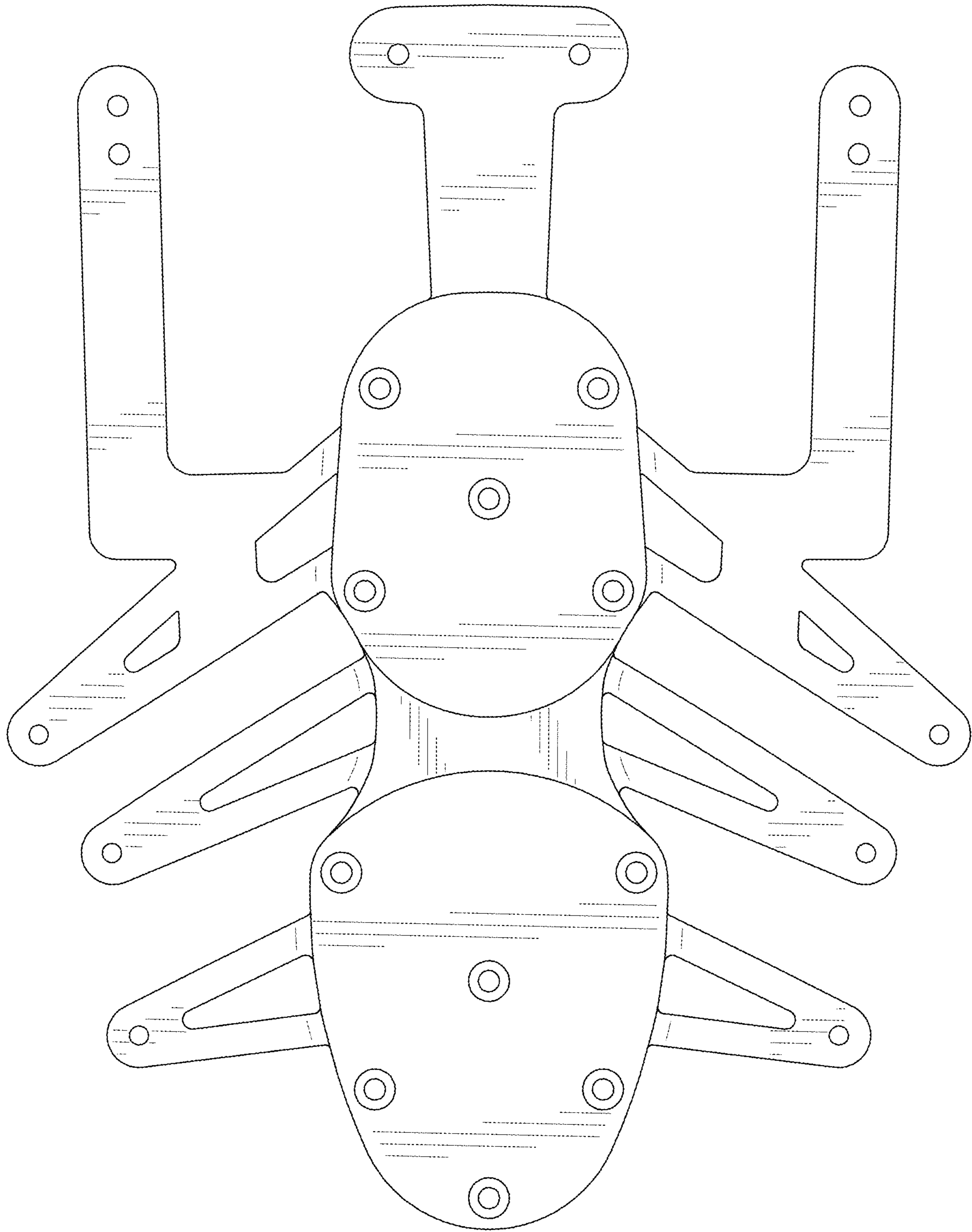


FIG. 4



FIG. 5



FIG. 6

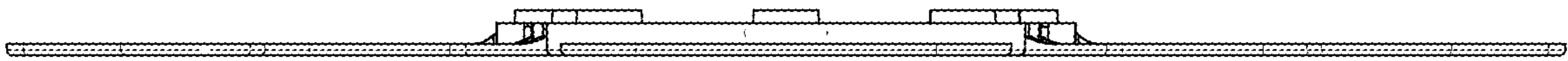


FIG. 7



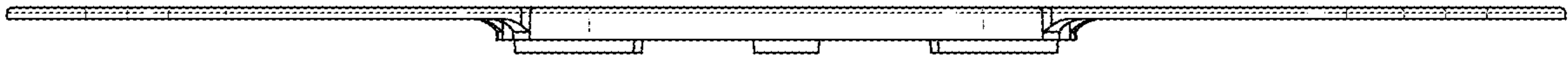


FIG. 8