



US00D925871S

(12) **United States Design Patent**  
**Leatherman**

(10) **Patent No.:** **US D925,871 S**  
(45) **Date of Patent:** **\*\* Jul. 27, 2021**

(54) **HAT CLOSURE**

(71) Applicant: **Lacie Leatherman**, Derby, KS (US)

(72) Inventor: **Lacie Leatherman**, Derby, KS (US)

(\*\*) Term: **15 Years**

(21) Appl. No.: **29/672,374**

(22) Filed: **Dec. 5, 2018**

**Related U.S. Application Data**

(62) Division of application No. 29/601,647, filed on Apr. 25, 2017, now Pat. No. Des. 838,941.

(51) **LOC (13) Cl.** ..... **02-03**

(52) **U.S. Cl.**  
USPC ..... **D2/891; D11/3**

(58) **Field of Classification Search**  
USPC ..... D2/624, 627, 631, 637, 865, 866, 867,  
D2/869, 872, 874, 876, 877, 878, 879,  
D2/880, 881, 882, 884, 891, 895;  
D10/32; D11/3, 4; D24/190  
CPC ..... A42B 1/00; A42B 1/002; A42B 1/004;  
A42B 1/006; A42B 1/02; A42B 1/062;  
A42B 1/064; A42B 1/205; A42B 1/22;  
A42B 1/24; A42B 7/00; A41F 9/00; A41F  
9/002; A41F 9/005; A41F 9/007; A41F  
9/02; A41F 9/025; A44C 5/00; A44C  
5/0053; A44C 5/18; A44C 5/185  
See application file for complete search history.

(56) **References Cited**

**U.S. PATENT DOCUMENTS**

1,575,291 A 3/1926 Trau  
D170,970 S 12/1953 D'Arbeloff  
D193,969 S 11/1962 Lawson  
D299,380 S 1/1989 Wang

D314,857 S 2/1991 Vossler  
D324,193 S 2/1992 Wen-Long  
D342,595 S 12/1993 Day  
D556,330 S 11/2007 Auerbach et al.  
D578,740 S 10/2008 Schussleder et al.  
9,119,708 B2 9/2015 Wanderer et al.  
D753,375 S 4/2016 Singleterry  
D761,924 S 7/2016 Sato  
D763,552 S 8/2016 Lin  
D770,148 S 11/2016 Hwang  
D770,733 S 11/2016 Hwang  
D771,914 S 11/2016 Cho  
9,655,397 B2 \* 5/2017 Cho ..... A42B 1/22  
D800,991 S 10/2017 Gordon  
D837,674 S \* 1/2019 Akana ..... D11/3  
D838,941 S \* 1/2019 Leatherman ..... D2/891

(Continued)

*Primary Examiner* — Jasmine Mlinarcik

(74) *Attorney, Agent, or Firm* — Dorsey & Whitney LLP

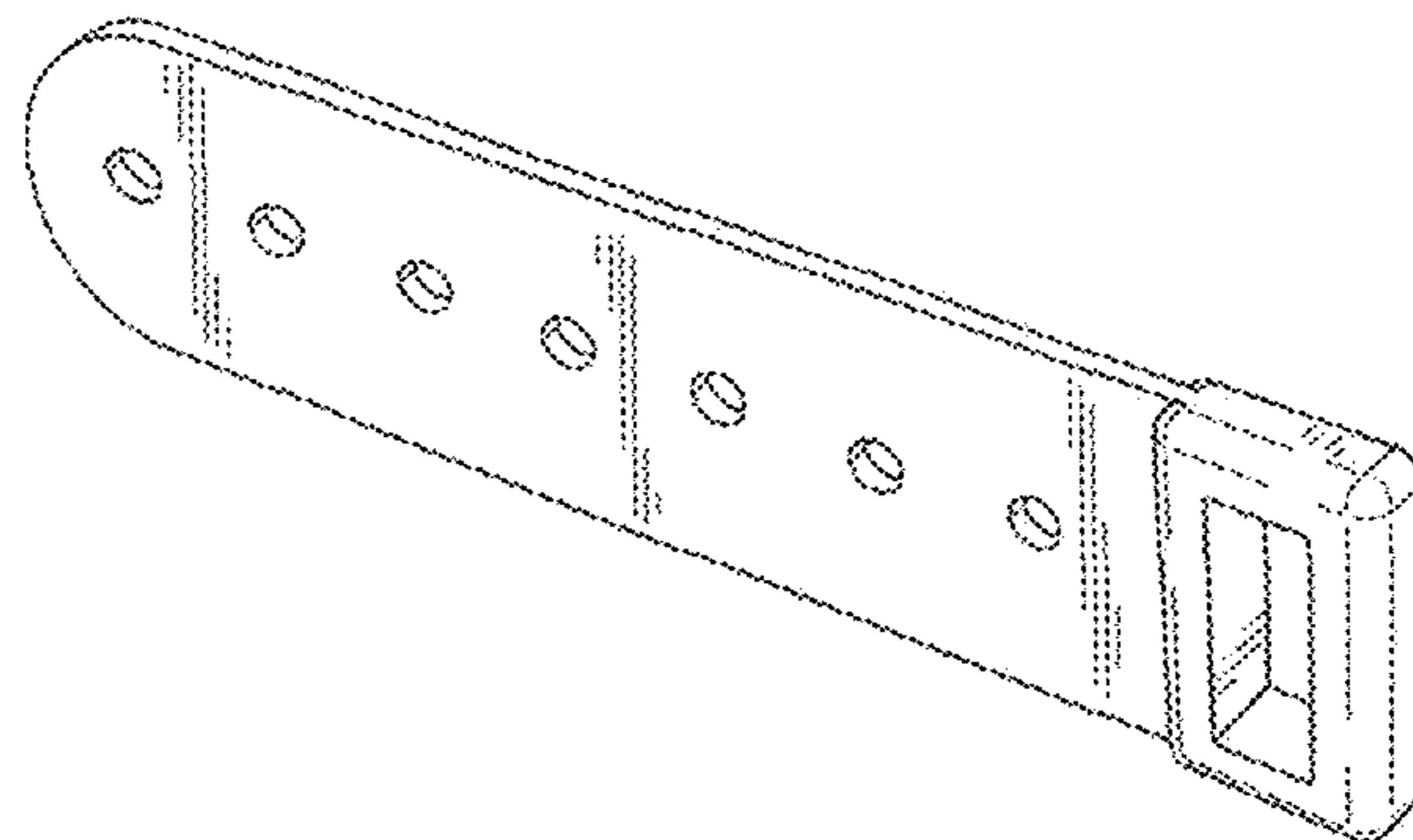
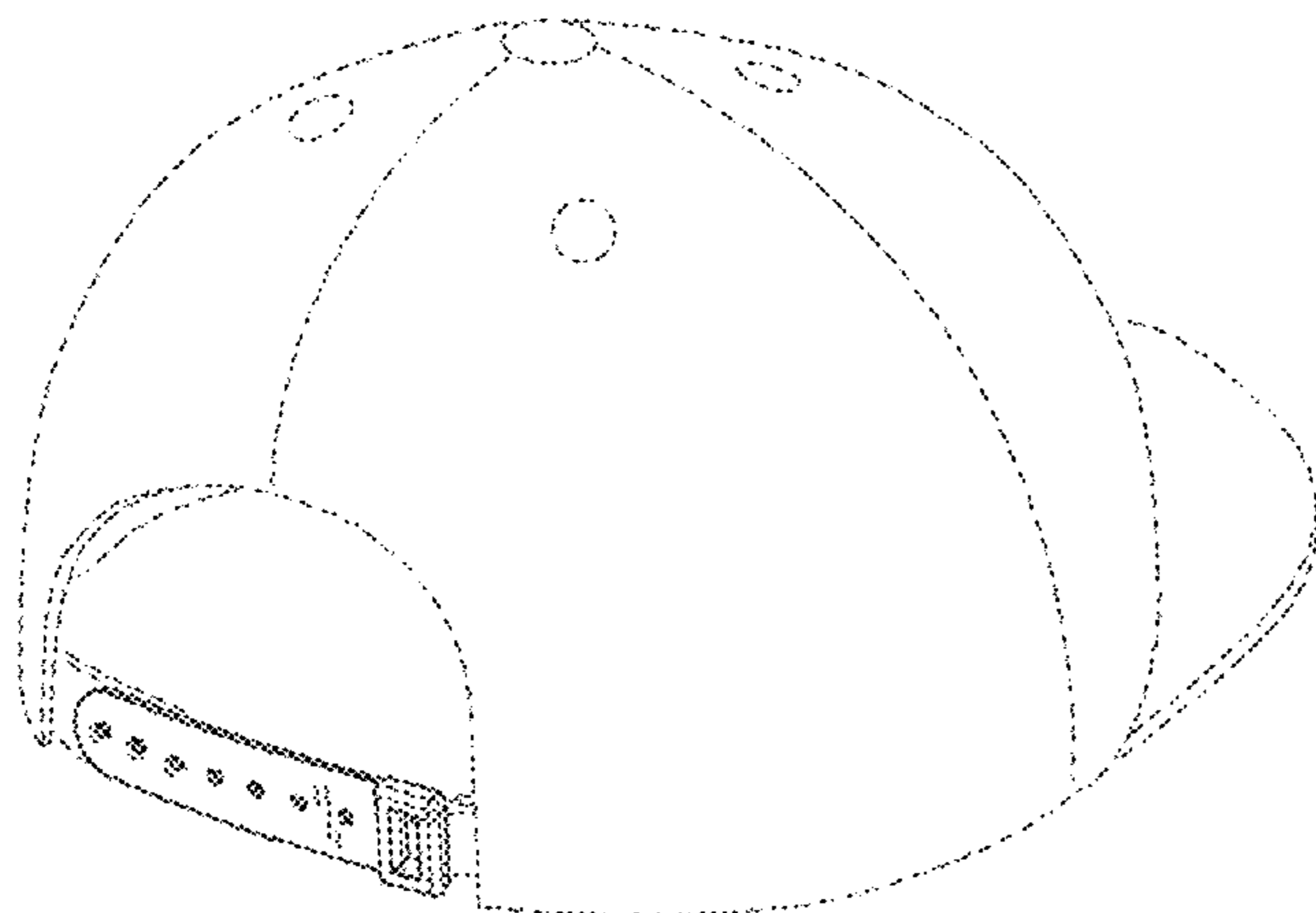
(57) **CLAIM**

The ornamental design for a hat closure, as shown and described.

**DESCRIPTION**

FIG. 1 is an illustration of a first isometric view of a hat closure showing my new design.  
FIG. 2 is an illustration of a second isometric view of the hat closure;  
FIG. 3 is an illustration of a front view of the hat closure;  
FIG. 4 is an illustration of a back view of the hat closure;  
FIG. 5 is an illustration of a top view of the hat closure;  
FIG. 6 is an illustration of a bottom view of the hat closure;  
FIG. 7 is an illustration of a right side view of the hat closure; and,  
FIG. 8 is an illustration of a left side view of the hat closure. The broken lines depict environmental subject matter to assist illustrating how the claimed design may appear when in use. The broken lines form no part of the claimed design.

**1 Claim, 3 Drawing Sheets**



(56)

**References Cited**

U.S. PATENT DOCUMENTS

10,245,458 B2 \* 4/2019 Sato ..... A63B 71/0622  
D883,838 S \* 5/2020 Deng ..... D11/3  
D904,920 S \* 12/2020 Harms ..... D11/3  
D911,205 S \* 2/2021 Chung ..... D11/3  
2003/0233696 A1 12/2003 Lee  
2004/0045075 A1 3/2004 Yan  
2007/0061944 A1 3/2007 Briskie  
2016/0021961 A1 1/2016 Lacy et al.  
2016/0278466 A1\* 9/2016 Hwang ..... A42B 1/22  
2016/0317864 A1\* 11/2016 Sato ..... A63B 23/12

\* cited by examiner

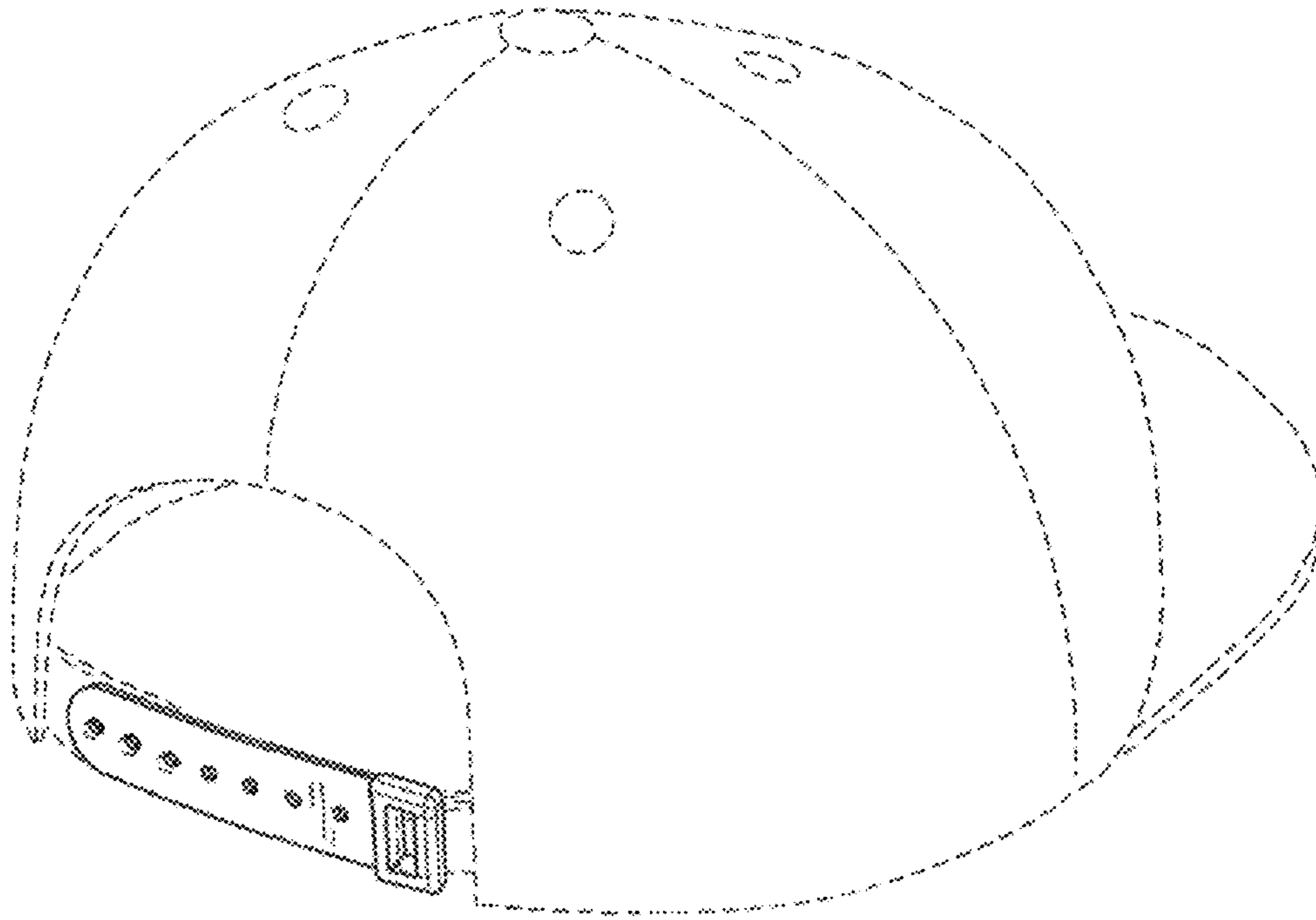


FIG. 1

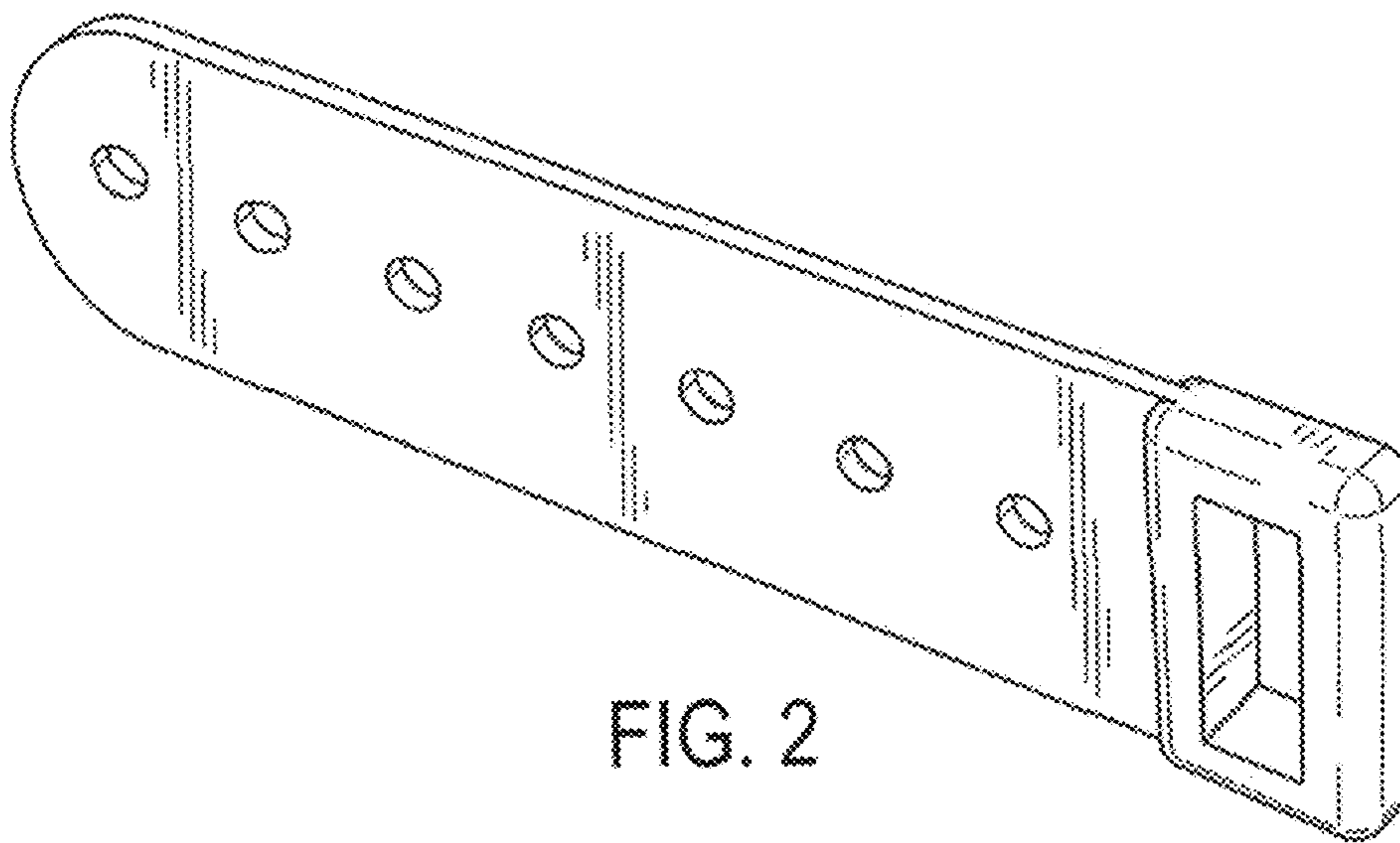


FIG. 2

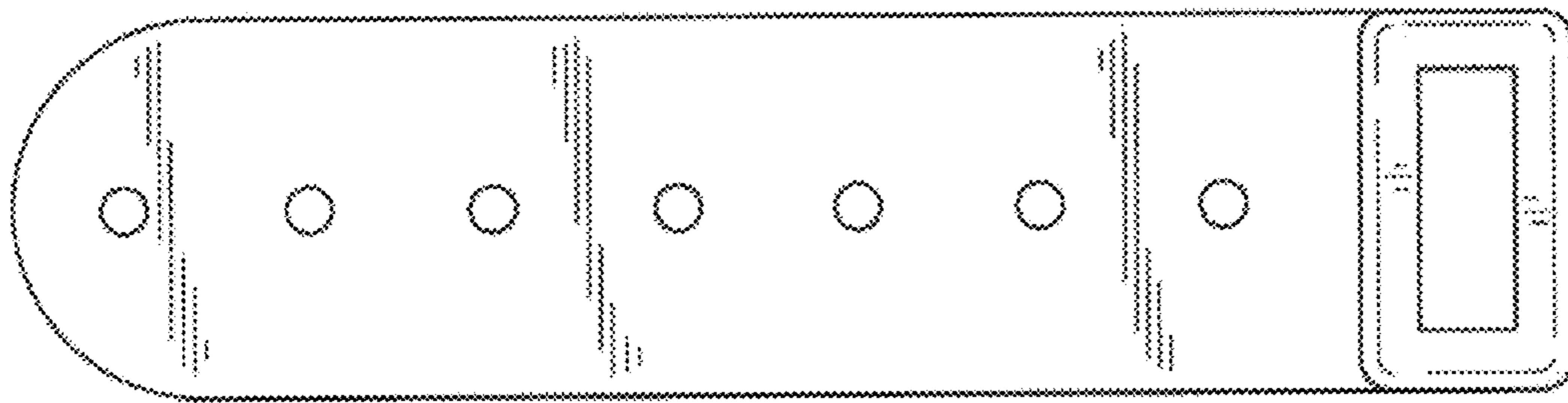


FIG. 3

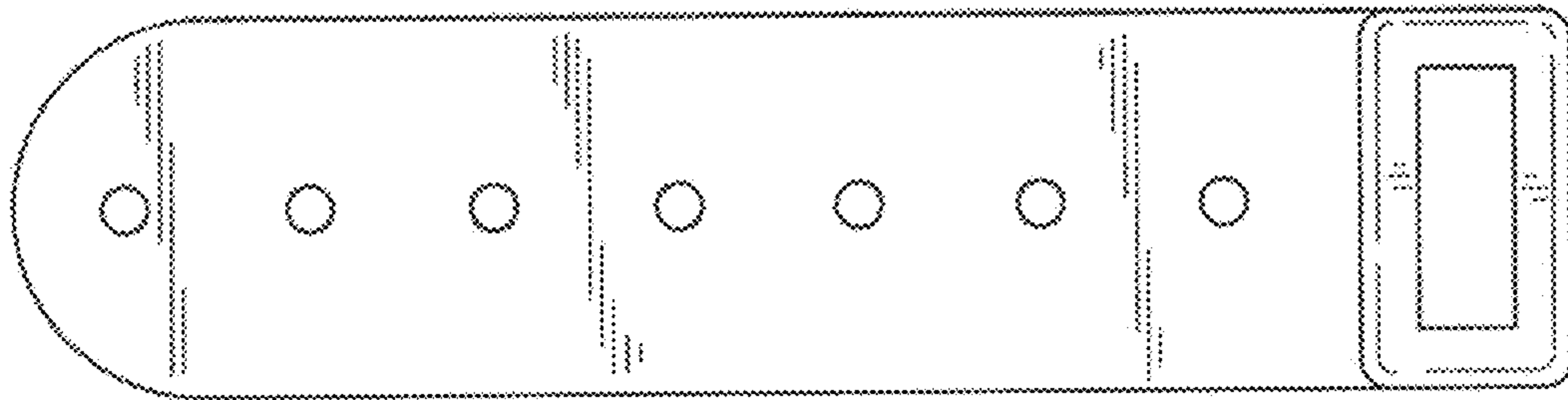


FIG. 4

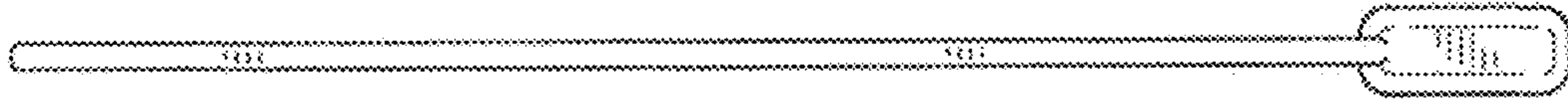


FIG. 5

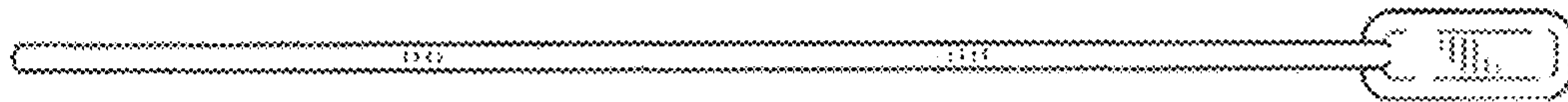


FIG. 6

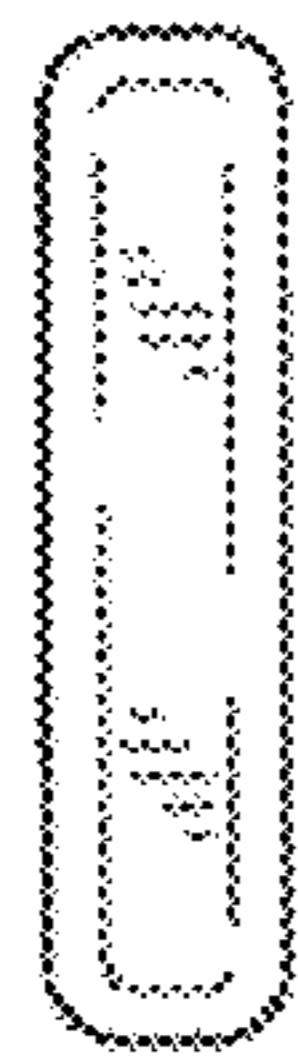


FIG. 7



FIG. 8