



US00D925870S

(12) **United States Design Patent** (10) **Patent No.:** **US D925,870 S**
Boyd (45) **Date of Patent:** **** Jul. 27, 2021**

(54) **BRIMLESS CAP**
(71) Applicant: **Danna Boyd**, Memphis, TN (US)
(72) Inventor: **Danna Boyd**, Memphis, TN (US)
(**) Term: **15 Years**

(21) Appl. No.: **29/712,308**
(22) Filed: **Nov. 7, 2019**
(51) **LOC (13) Cl.** **02-03**
(52) **U.S. Cl.**
USPC **D2/889**
(58) **Field of Classification Search**
USPC D2/865, 866, 867, 868, 870, 871, 875,
D2/876, 877, 878, 883, 889, 891, 895
CPC A42B 1/00; A42B 1/004; A42B 1/006;
A42B 1/008; A42B 1/02; A42B 1/04;
A42B 1/041; A42B 1/22; A42B 1/225;
A42B 1/248
See application file for complete search history.

(56) **References Cited**

U.S. PATENT DOCUMENTS

D58,303 S *	7/1921	Bartholomew	D2/865
D577,879 S *	10/2008	Jones	D2/889
D599,085 S *	9/2009	Booker	D2/867
D639,532 S *	6/2011	Malarky, II	D2/878
D654,253 S	2/2012	Belschner et al.		
D670,068 S	11/2012	Bomze		
D689,266 S *	9/2013	Megela	D2/889
D720,520 S *	1/2015	Klaiber	D2/889
D749,825 S *	2/2016	Gray	D2/878
D750,356 S	3/2016	McLendon et al.		
D757,401 S	5/2016	Orevik		
D871,027 S *	12/2019	Neff	D2/889
D906,638 S *	1/2021	West	D2/865
2005/0097655 A1 *	5/2005	Bascom	A42B 1/225 2/171

2007/0250987 A1	11/2007	Adkins		
2009/0255030 A1 *	10/2009	Guy	A42B 1/225 2/84
2010/0024091 A1 *	2/2010	Mehtab	A42B 1/206 2/69

OTHER PUBLICATIONS

2017 New Unisex Baseball Cap With Zipper Hip Hop Curved Brim Snapback Hat Adjustable Outdoor Casquette. Product Listing [online]. © 2004-2019 DHgate.com. [retrieved on May 30, 2019]. Retrieved from the Internet: <URL: <https://www.dhgate.com/product/2017-new-unisex-baseball-cap-with-zipper/398910487.html#s1-0-1;search13943782605>>.

* cited by examiner

Primary Examiner — Jasmine Mlinarcik
(74) *Attorney, Agent, or Firm* — Cramer Patent & Design, PLLC; Aaron R. Cramer

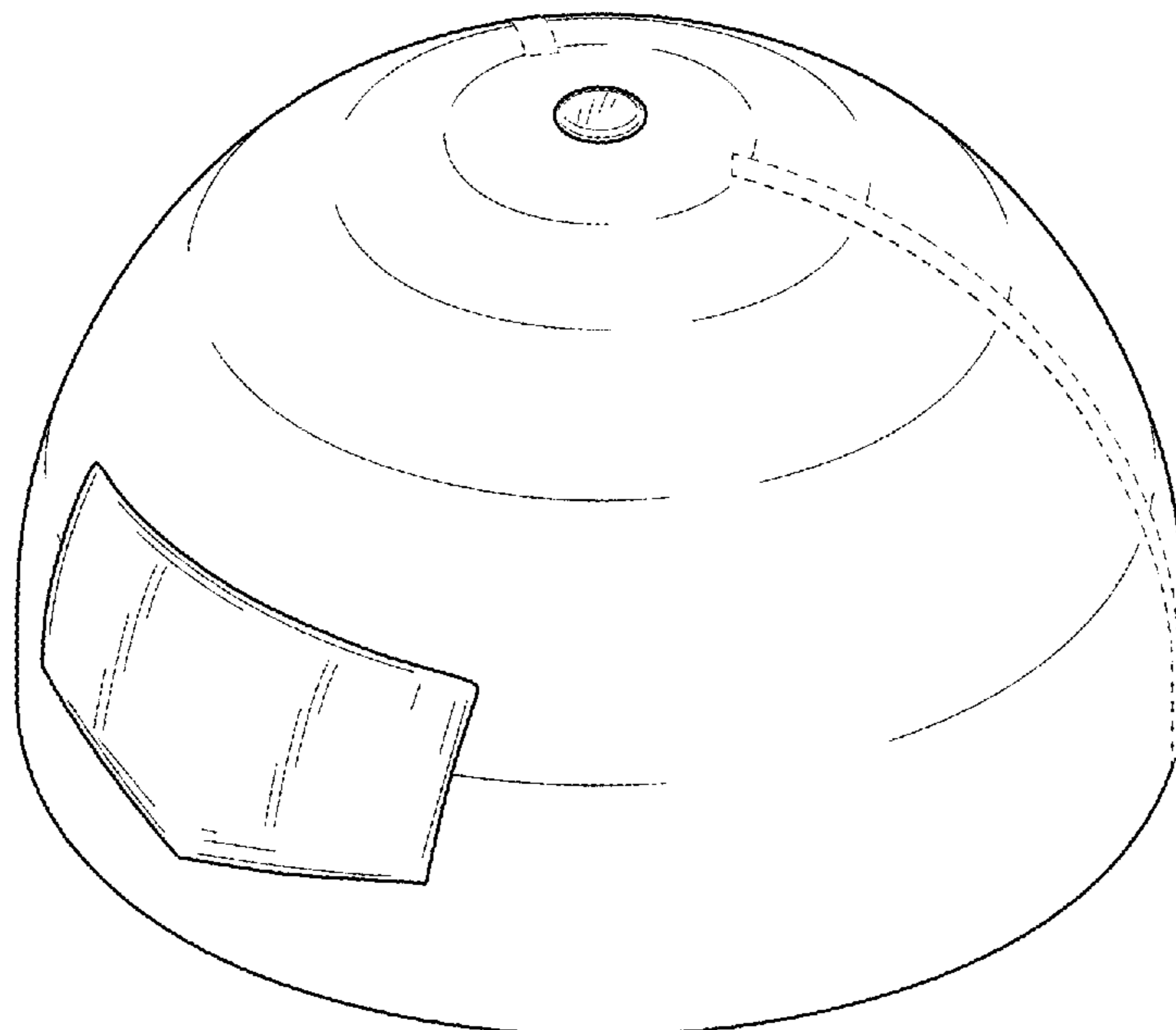
(57) **CLAIM**

The ornamental design for a brimless cap, as shown and described.

DESCRIPTION

FIG. 1 is a perspective top front right view of a brimless cap, showing my new design;
FIG. 2 is a perspective top rear left view thereof;
FIG. 3 is a right side elevation view thereof;
FIG. 4 is a left side elevation view thereof;
FIG. 5 is a front elevation view thereof;
FIG. 6 is a rear elevation view thereof;
FIG. 7 is a top plan view thereof; and,
FIG. 8 is a bottom plan view thereof.
The broken lines indicate boundary regions and form no part of the claimed design.

1 Claim, 6 Drawing Sheets



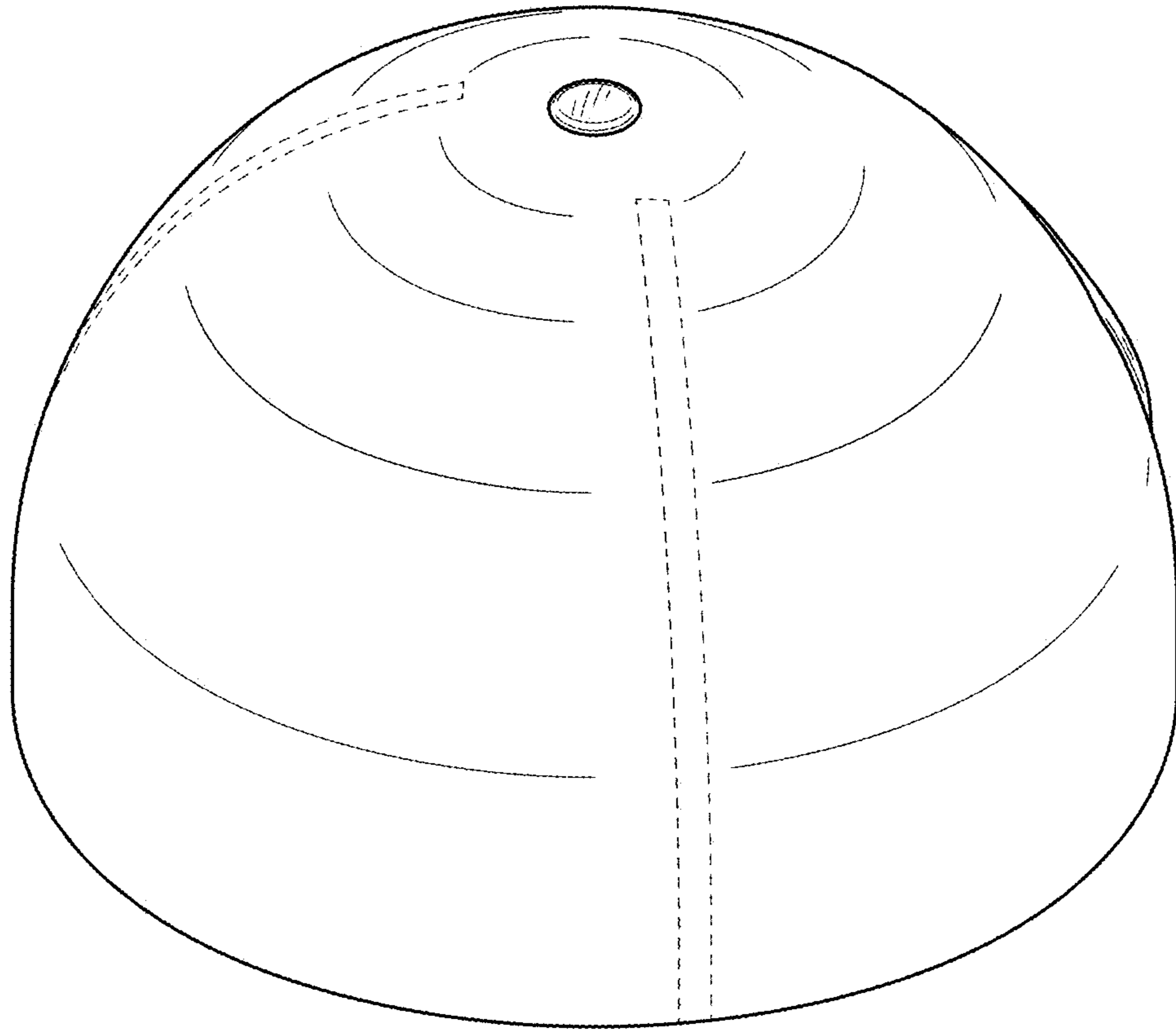


FIG. 1

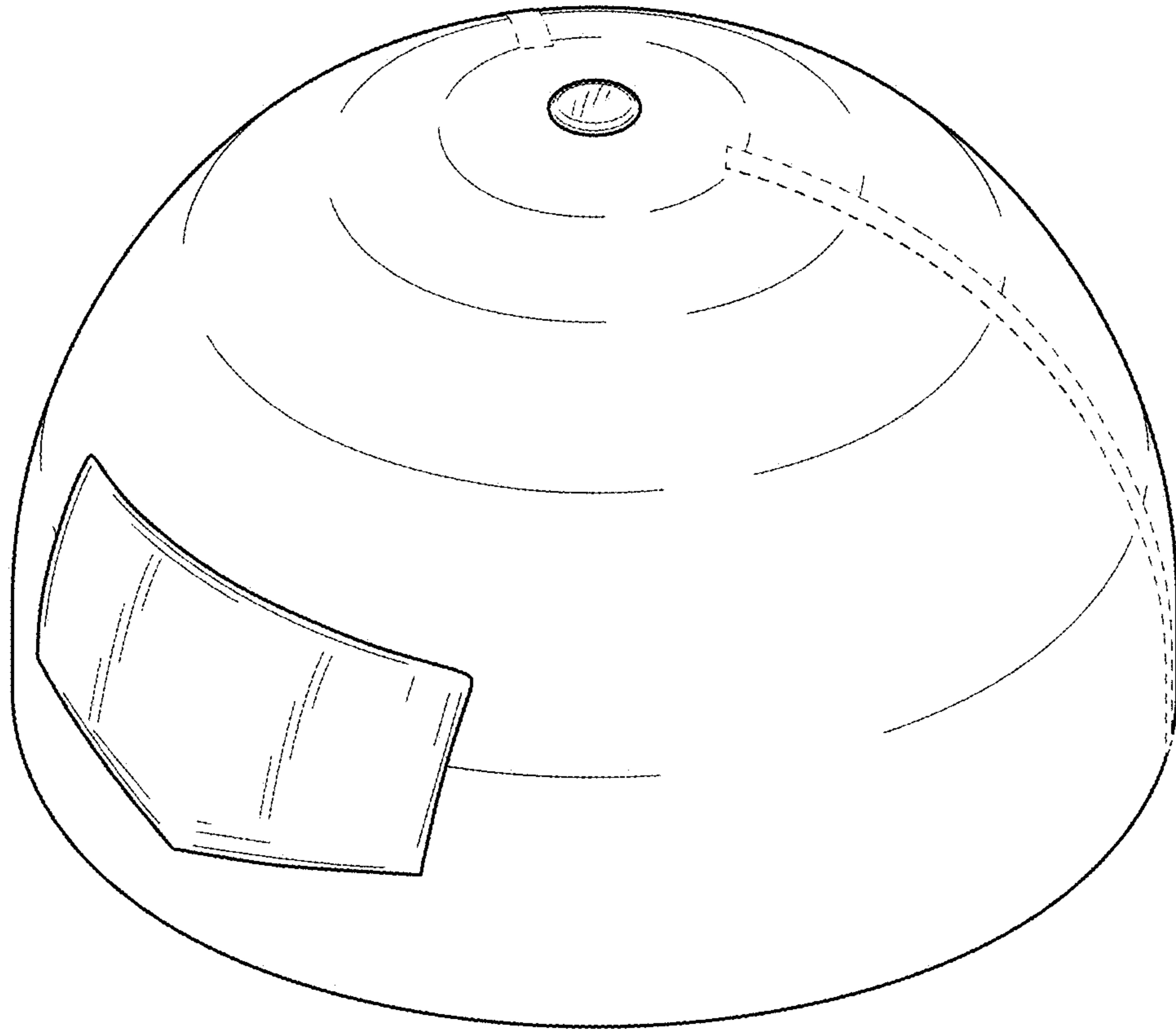


FIG. 2

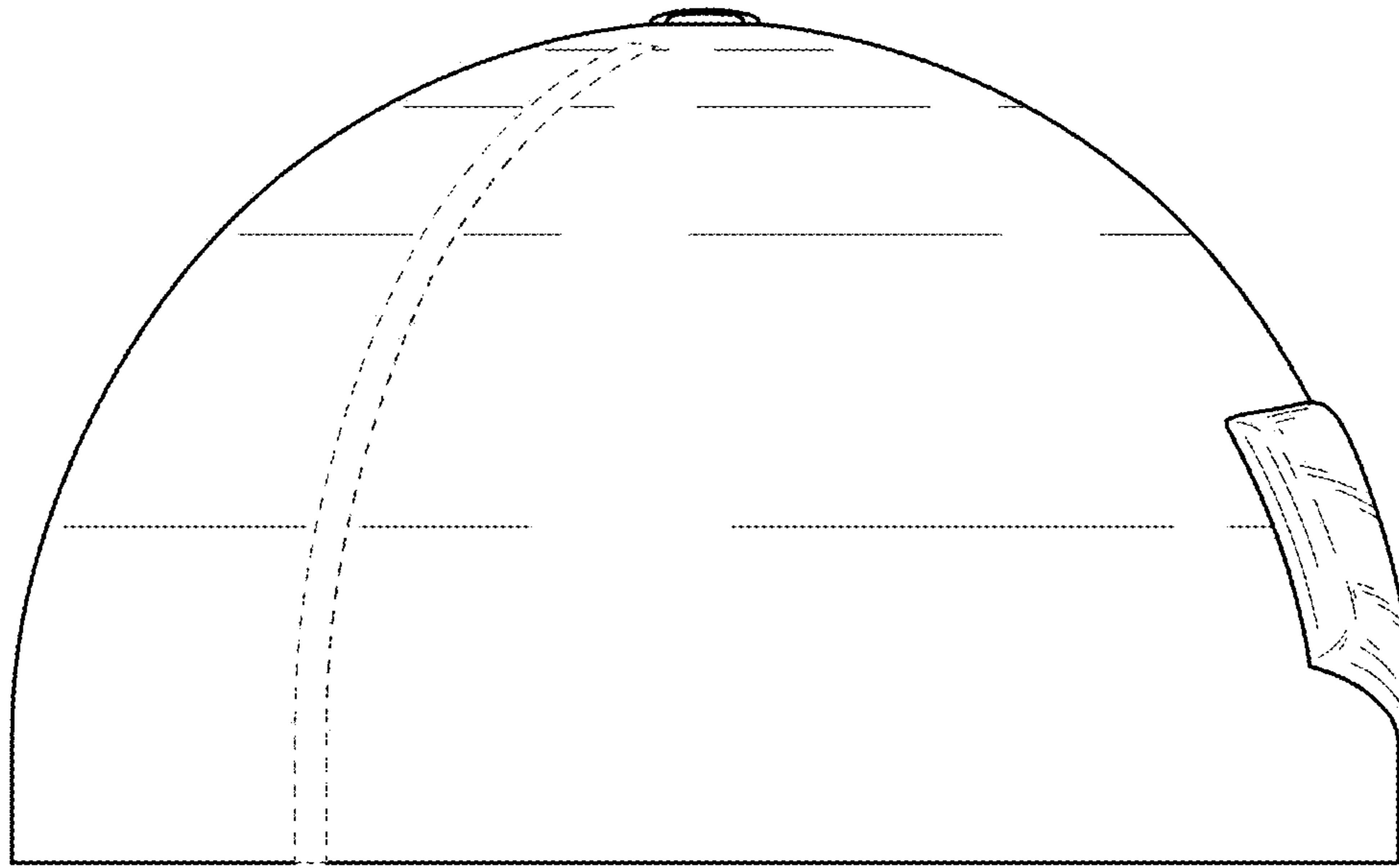


FIG. 3

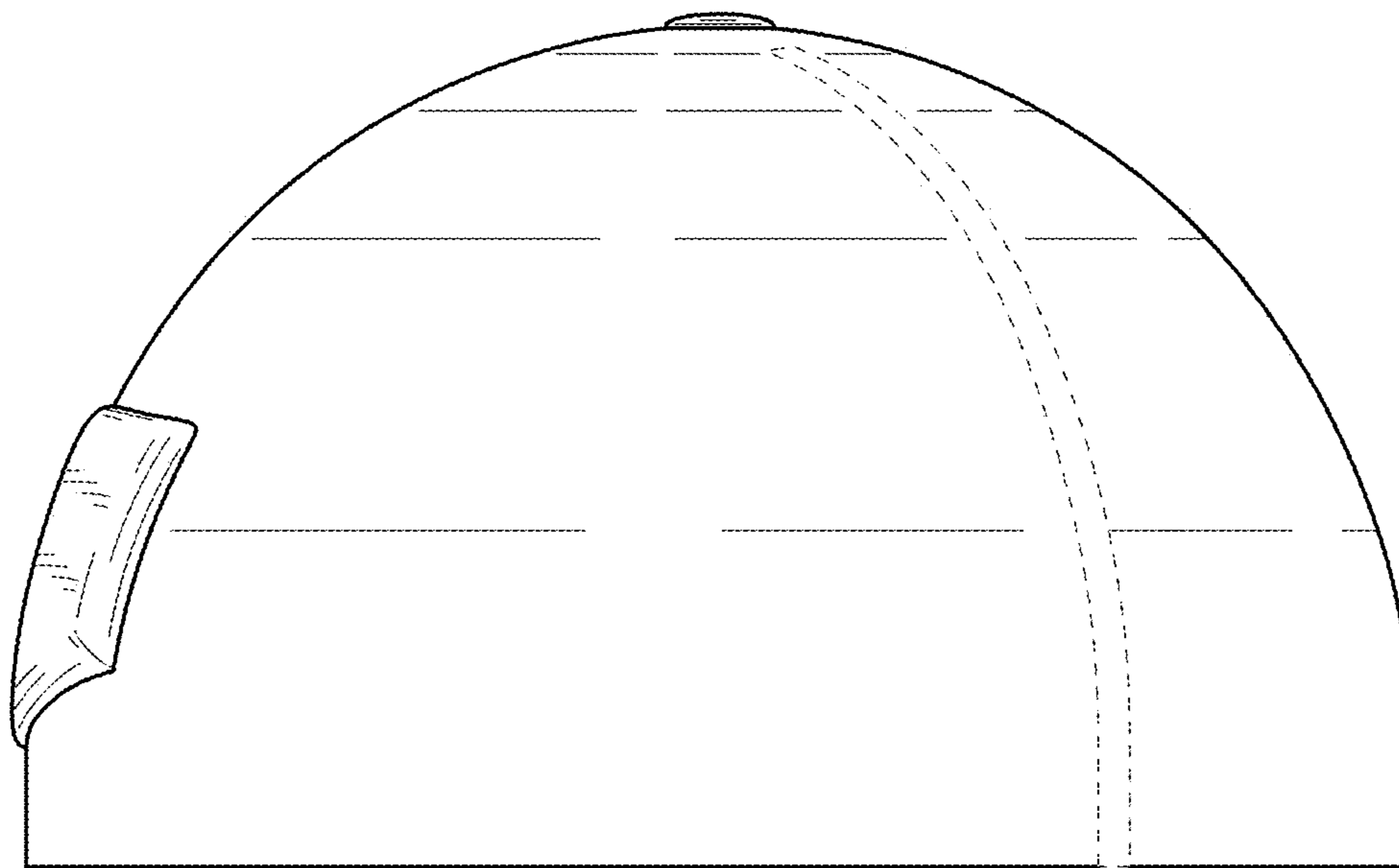


FIG. 4

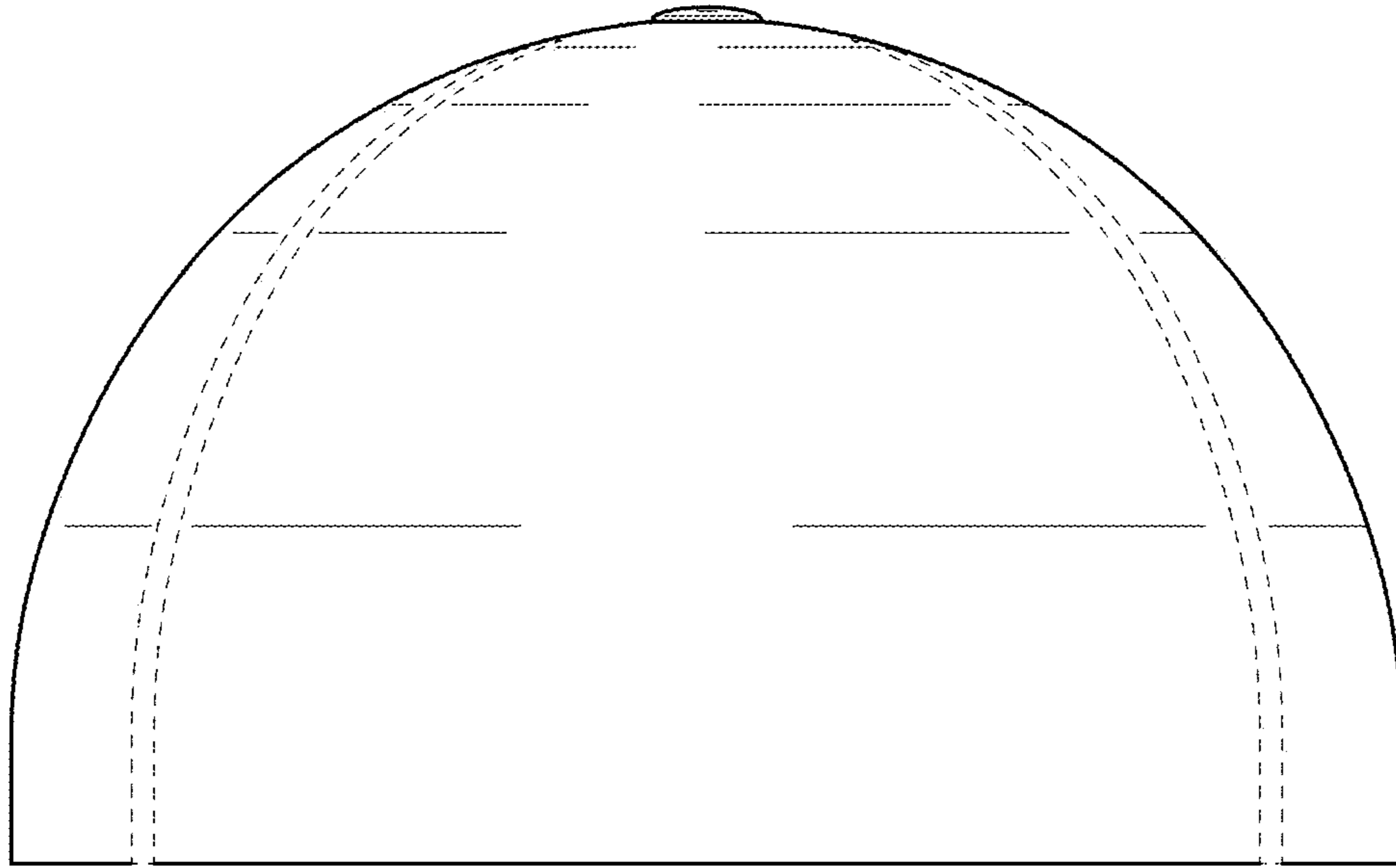


FIG. 5

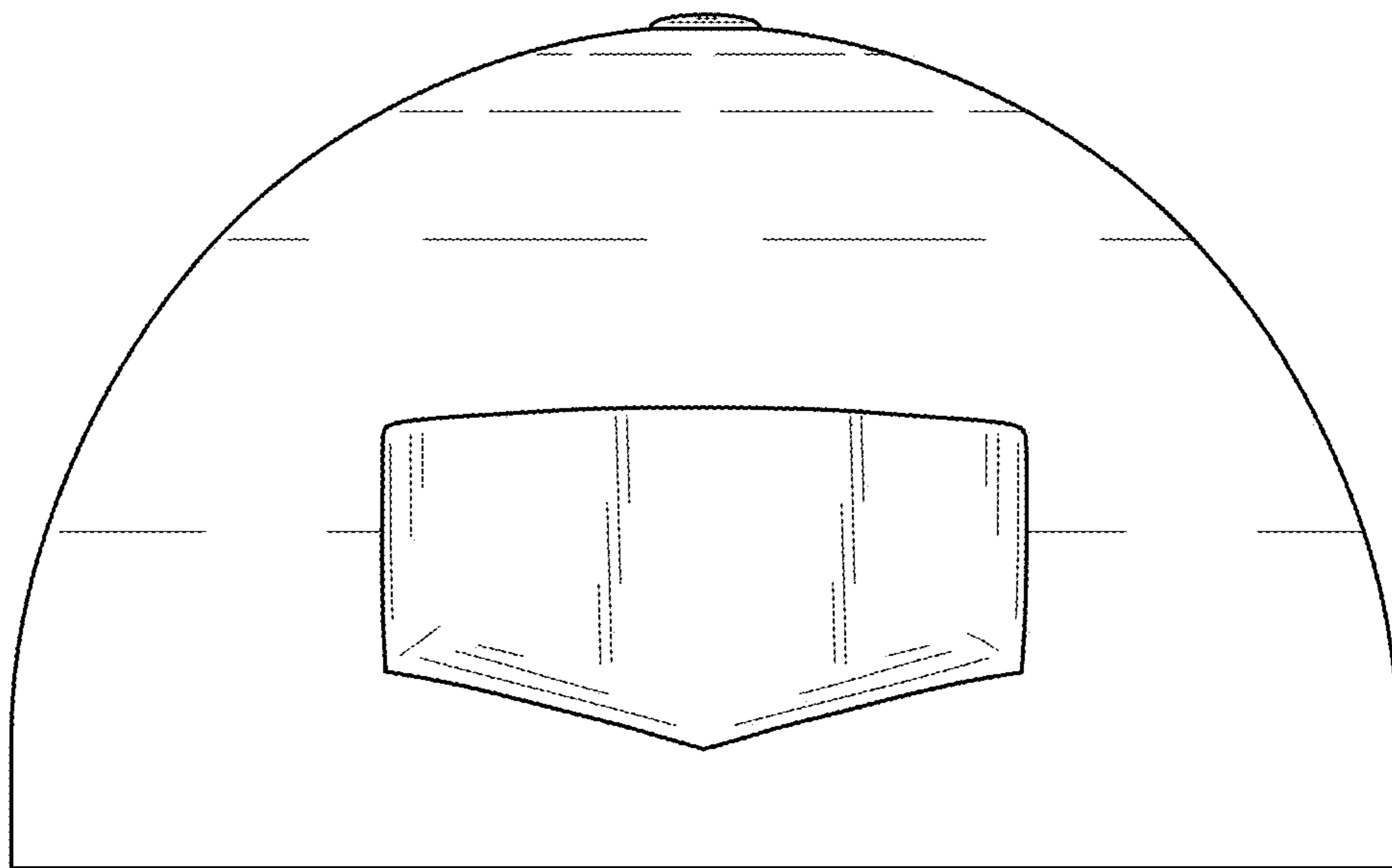


FIG. 6

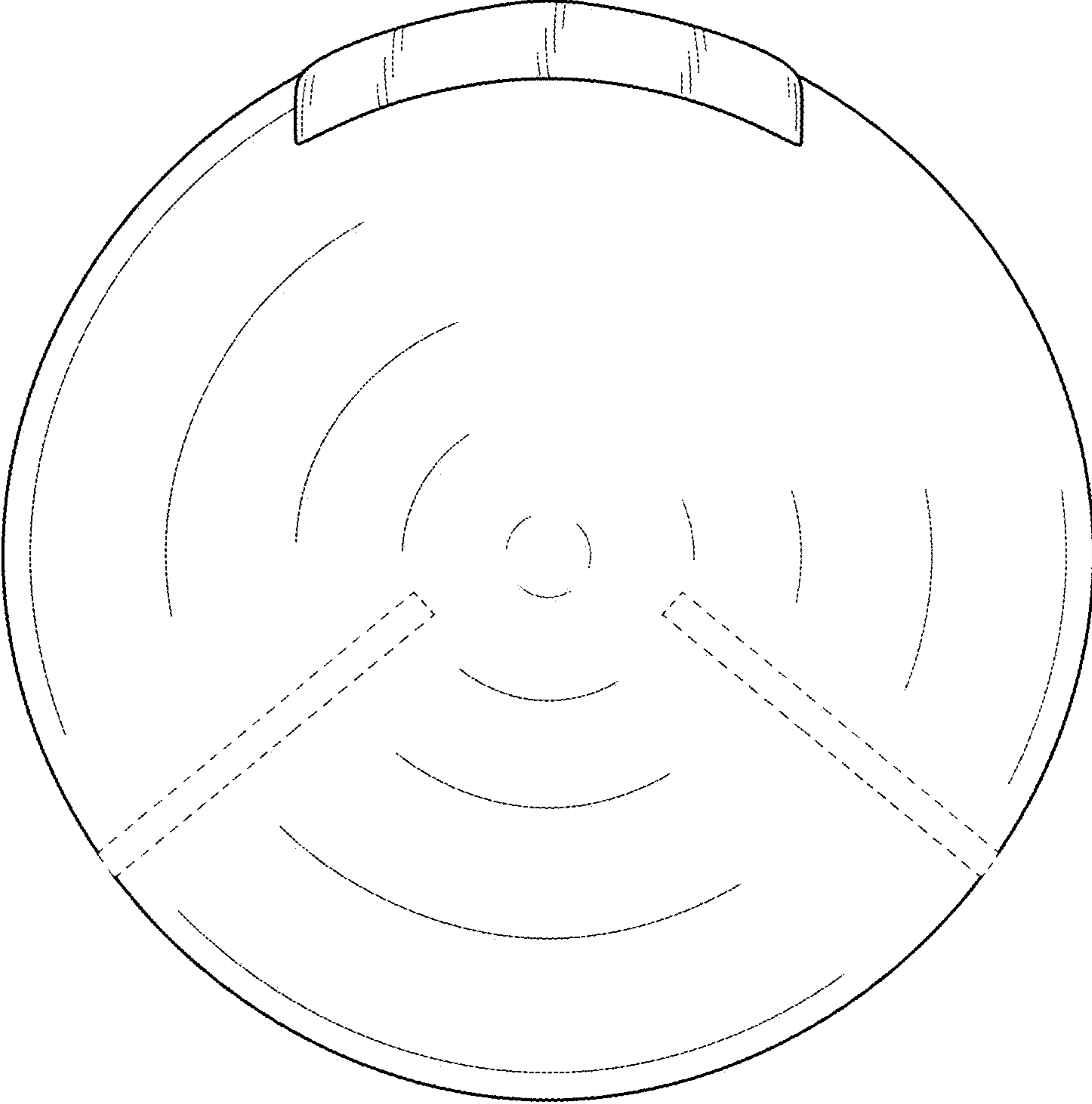


FIG. 7

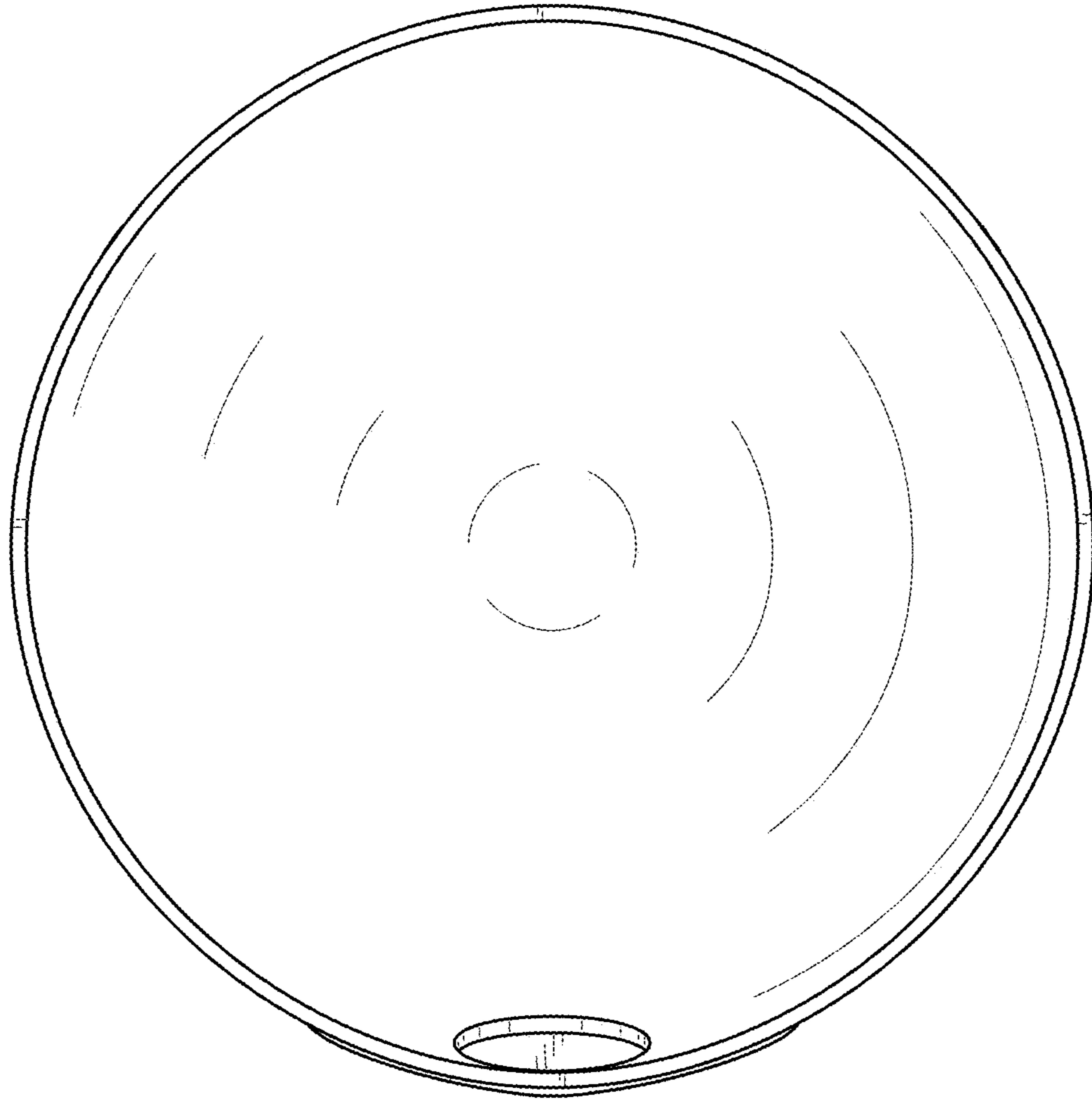


FIG. 8