



US00D925860S

(12) **United States Design Patent**
Miller

(10) **Patent No.:** **US D925,860 S**

(45) **Date of Patent:** **** Jul. 20, 2021**

- (54) **URN**
- (71) Applicant: **Philip Adam Miller**, Bismarck, ND (US)
- (72) Inventor: **Philip Adam Miller**, Bismarck, ND (US)
- (**) Term: **15 Years**
- (21) Appl. No.: **29/693,763**
- (22) Filed: **Jun. 5, 2019**
- (51) **LOC (13) Cl.** **99-00**
- (52) **U.S. Cl.**
USPC **D99/5**
- (58) **Field of Classification Search**
USPC D99/5, 3, 37, 25, 28, 27; 27/1, 2; D6/300, 310, 302, 659, 559, 303, 665; 52/104; 40/768, 732, 489, 358, 721, 711; D14/214; D11/157, 149, 96, 131; 428/3, 428/542.4; D10/1, 2; 312/107, 108, 114, 312/263; 211/186
CPC A61G 17/00; A61G 17/08; A47B 67/00
See application file for complete search history.

- D89,766 S * 5/1933 Hull D99/17
- 1,982,432 A * 11/1934 Hull E04H 13/003
47/79
- 2,214,143 A * 9/1940 May H01K 7/02
313/315
- 2,525,091 A * 10/1950 Brownawell E04H 13/00
52/103
- D170,110 S * 8/1953 Cantrell D99/17
- 2,649,799 A * 8/1953 Spertus A47G 1/06
40/721
- 2,907,090 A * 10/1959 Gaspardo A61G 17/00
27/8
- 3,045,374 A * 7/1962 Clemmer E04H 13/00
40/124.5
- D197,236 S * 12/1963 Brown D6/559
- 3,438,159 A * 4/1969 Bergener E04H 13/003
52/104
- 3,447,181 A * 6/1969 Coker A47K 7/03
15/104.94
- D221,181 S * 7/1971 Bobrick D26/85
- D228,720 S * 10/1973 Cowan D6/300
- D243,378 S * 2/1977 Tharp D6/300
- 4,199,848 A * 4/1980 Kohnert A61G 17/08
27/1

(Continued)

Primary Examiner — Paula Allen Greene
(74) *Attorney, Agent, or Firm* — Ross Brandborg

(56) **References Cited**

U.S. PATENT DOCUMENTS

- 214,339 A * 4/1879 Wilmer 52/104
- 1,274,809 A * 8/1918 Storm, Jr. E04H 13/003
52/104
- 1,373,014 A * 3/1921 Moore G09F 3/00
220/315
- 1,490,998 A * 4/1924 Bessire A01G 5/04
27/30
- 1,561,718 A * 11/1925 Harmon E04H 13/003
40/124.5
- 1,882,157 A * 10/1932 Minton A47G 1/0616
40/724
- 1,887,086 A * 11/1932 Erickson E04H 13/006
312/107

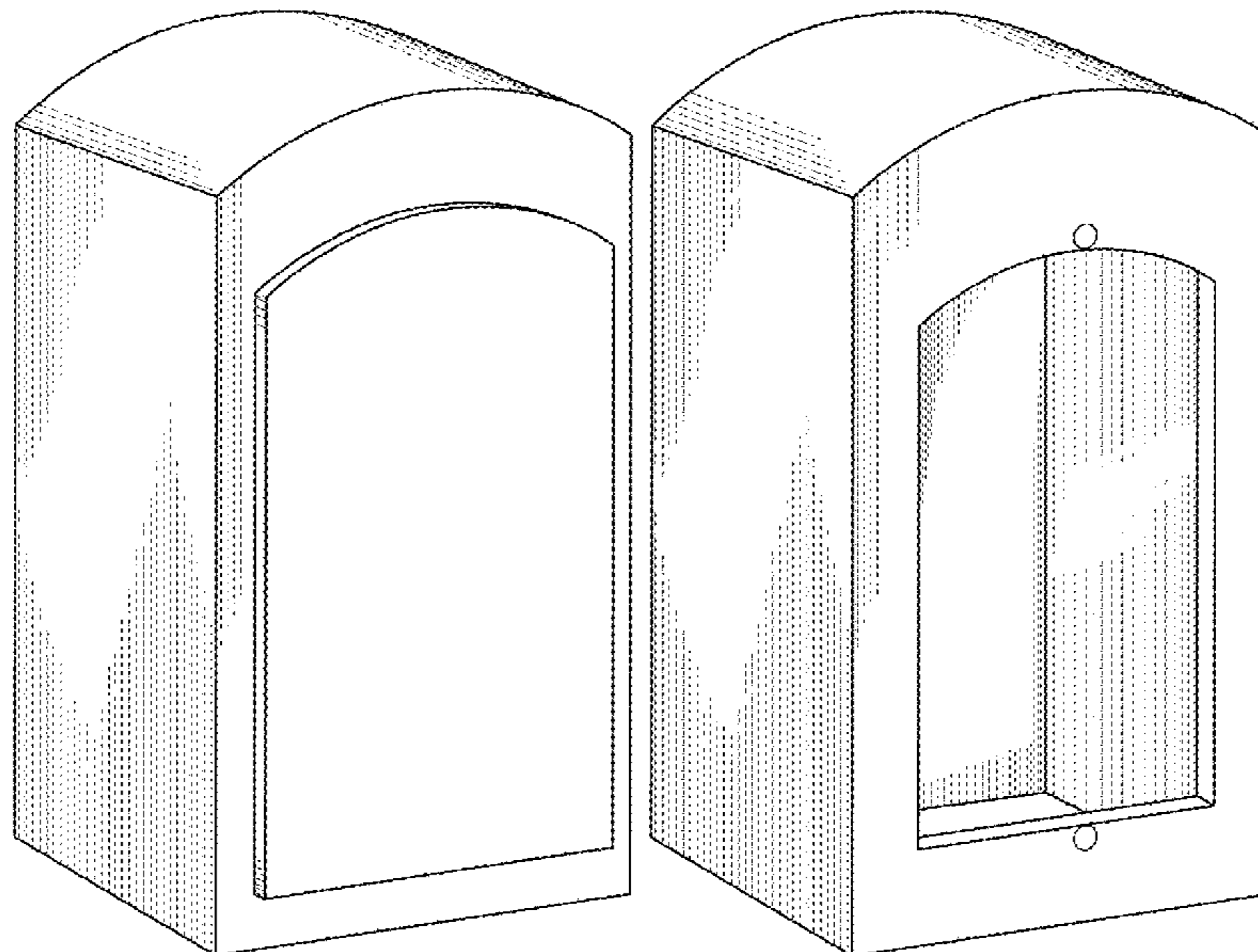
(57) **CLAIM**

The ornamental design for an urn, as shown and described.

DESCRIPTION

FIG. 1 is a front perspective view of an urn showing my new design;
FIG. 2 is a front perspective view thereof with the front lid off;
FIG. 3 is a front and side perspective view thereof;
FIG. 4 is a rear perspective view; and,
FIG. 5 is a bottom perspective view thereof.

1 Claim, 5 Drawing Sheets



(56)

References Cited

U.S. PATENT DOCUMENTS

D259,369 S * 5/1981 Splendor D99/17
 D272,577 S * 2/1984 Dercks D99/5
 D280,334 S * 8/1985 Halbritter D20/11
 D285,887 S * 9/1986 Palka D6/559
 5,140,728 A * 8/1992 Chandler A61G 17/042
 27/35
 5,230,127 A * 7/1993 Zukowski A61G 17/007
 27/1
 5,277,307 A * 1/1994 Kelly A47G 1/14
 206/232
 5,283,967 A * 2/1994 Abrams G09F 1/12
 40/773
 D389,484 S * 1/1998 Blackmon D14/214
 D395,123 S * 6/1998 Barretto D9/432
 D406,467 S * 3/1999 Michael D6/300
 D424,812 S * 5/2000 Kacius D6/300
 D432,285 S * 10/2000 Baldwin D99/5
 6,158,868 A * 12/2000 Chien F21V 33/0076
 362/253

D436,758 S * 1/2001 Rodrigues D6/661
 D440,735 S * 4/2001 Robinson D99/28
 D445,556 S * 7/2001 Brault D99/5
 D449,418 S * 10/2001 Robinson D99/5
 6,347,439 B1 * 2/2002 Bach Lahor E04H 13/006
 27/1
 6,526,636 B2 * 3/2003 Bernhardt A61G 17/08
 27/1
 D492,079 S * 6/2004 Feltman D99/5
 D494,727 S * 8/2004 Poteet D99/5
 7,266,920 B2 * 9/2007 Kao A47G 1/12
 40/765
 7,634,843 B1 * 12/2009 Michnuk A61G 17/08
 27/1
 D687,205 S * 7/2013 Vanacore D99/5
 D748,363 S * 1/2016 Hackett D99/5
 D785,897 S * 5/2017 Florek D99/5
 D835,379 S * 12/2018 Singh D99/17
 2001/0047575 A1 * 12/2001 Bernhardt E04H 13/008
 27/1
 2007/0084743 A1 * 4/2007 Chu G09F 1/12
 206/455

* cited by examiner

FIG.1

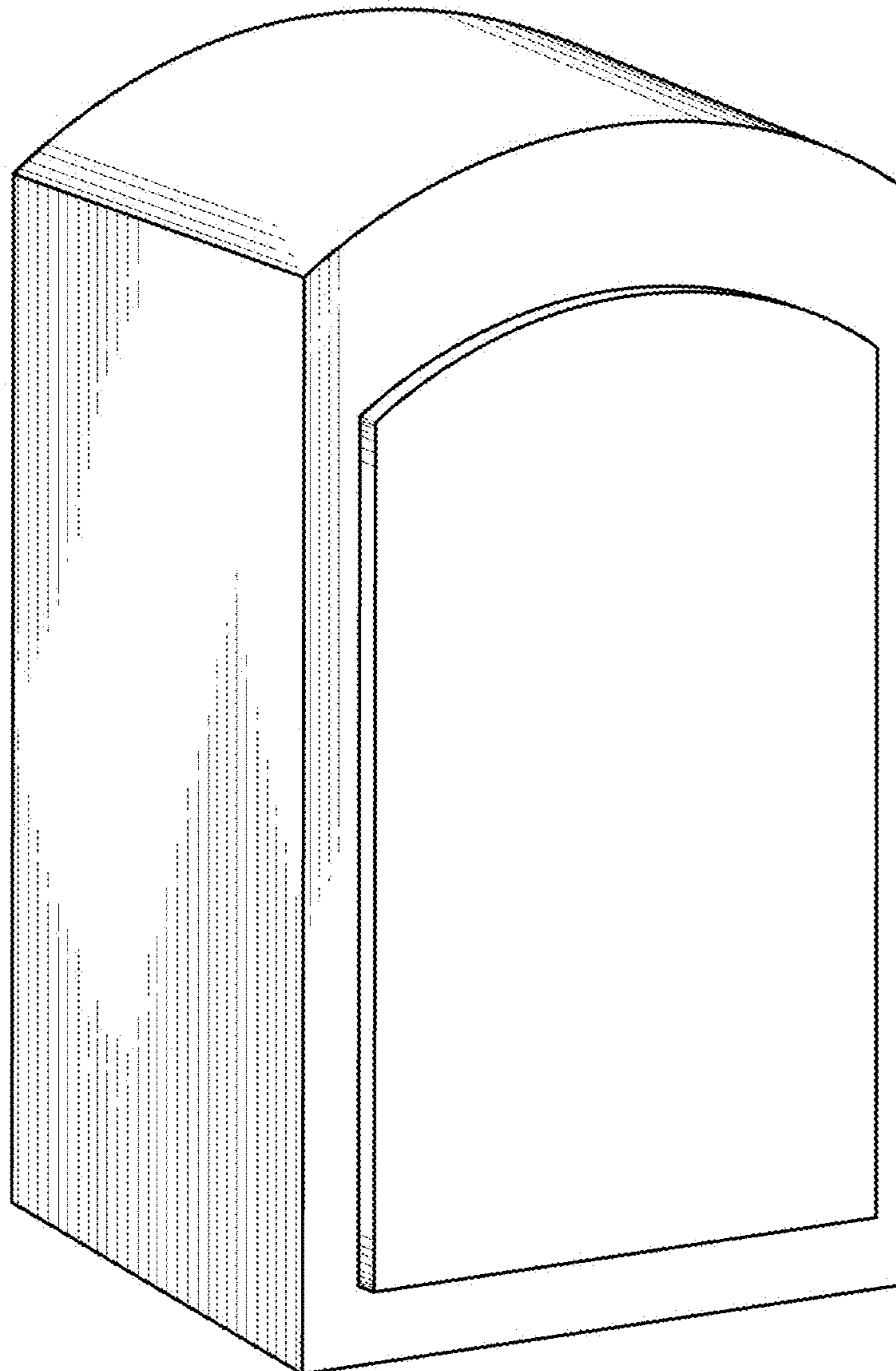


FIG.2

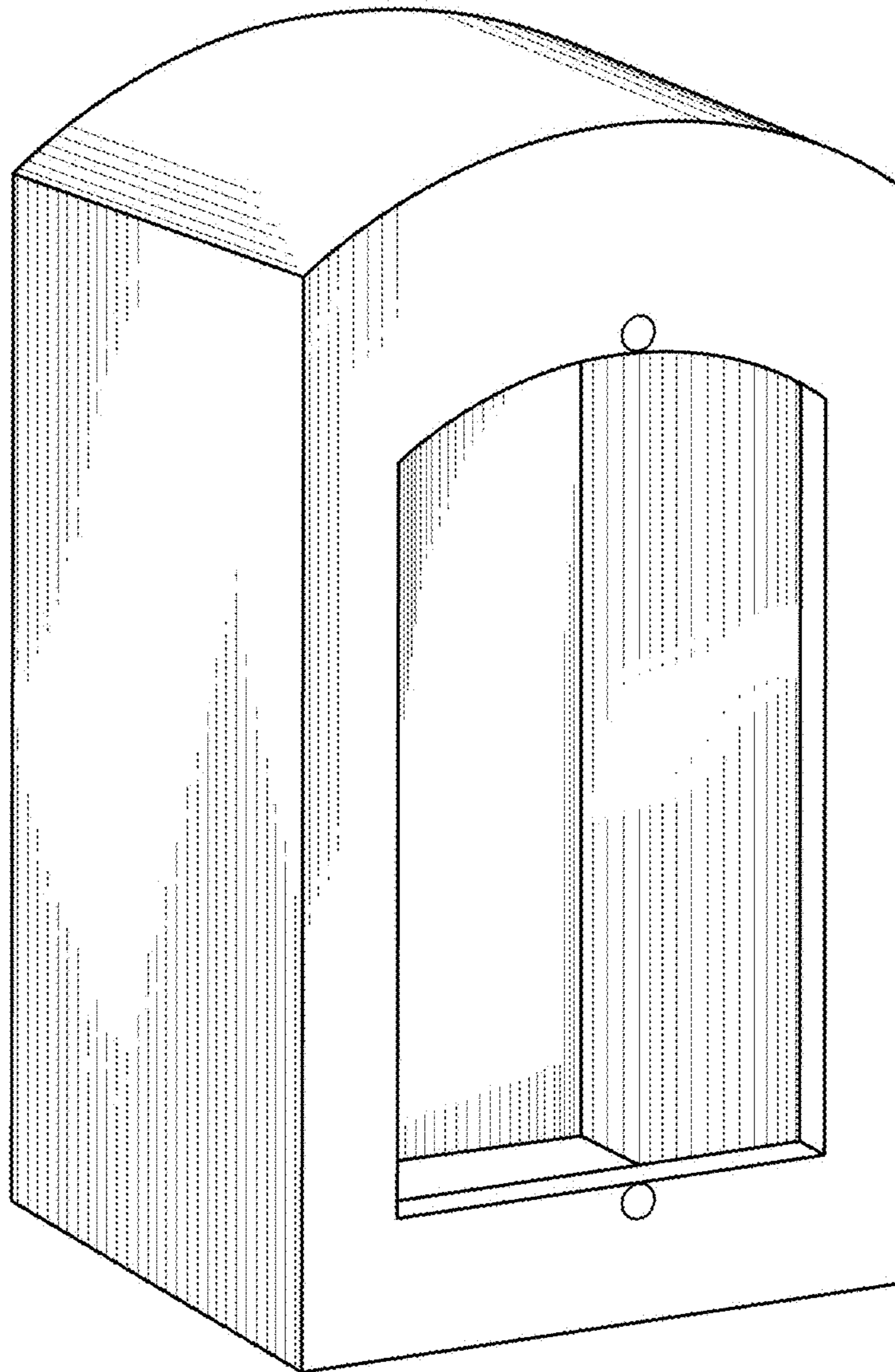


FIG.3

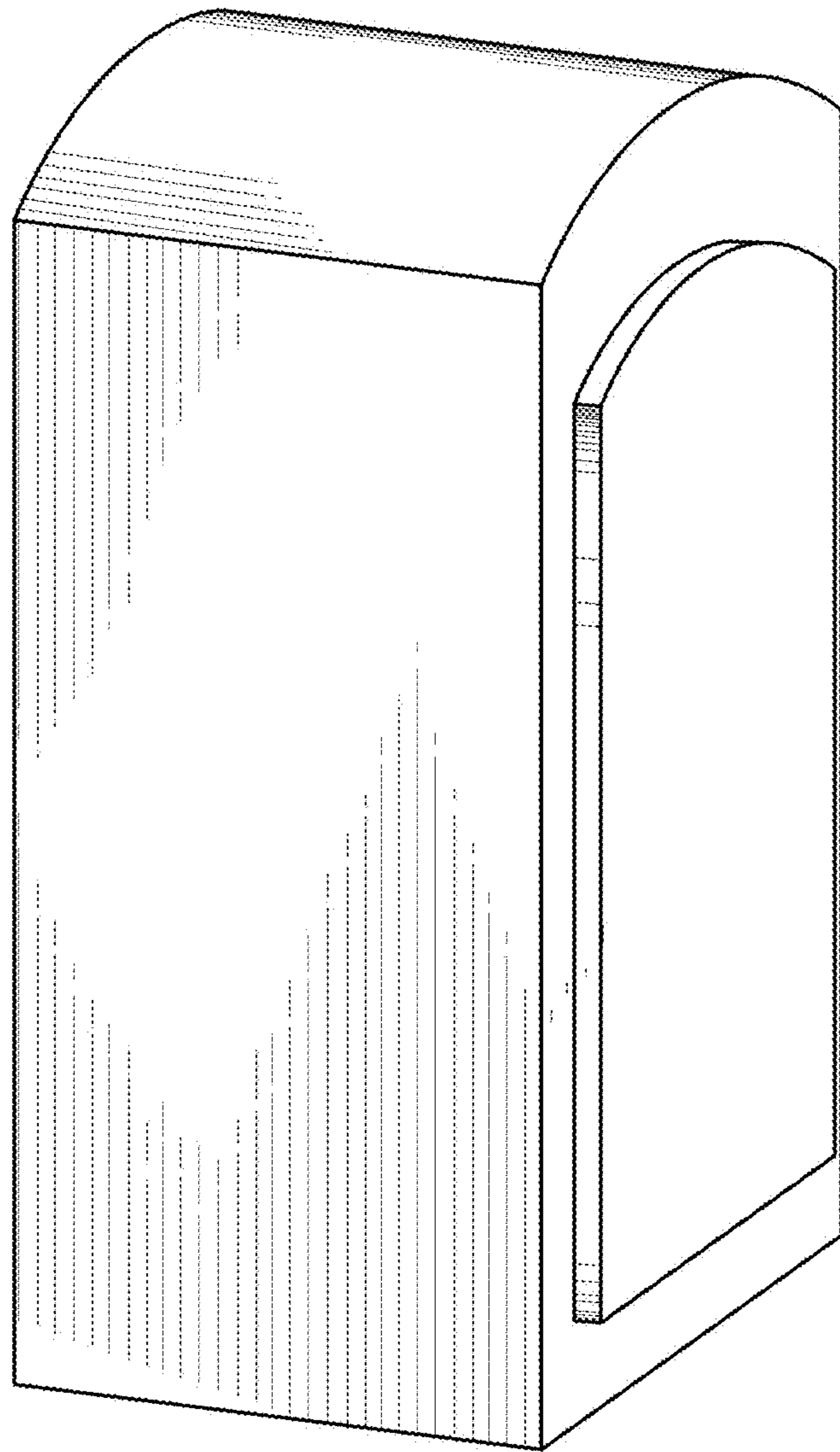


FIG.4

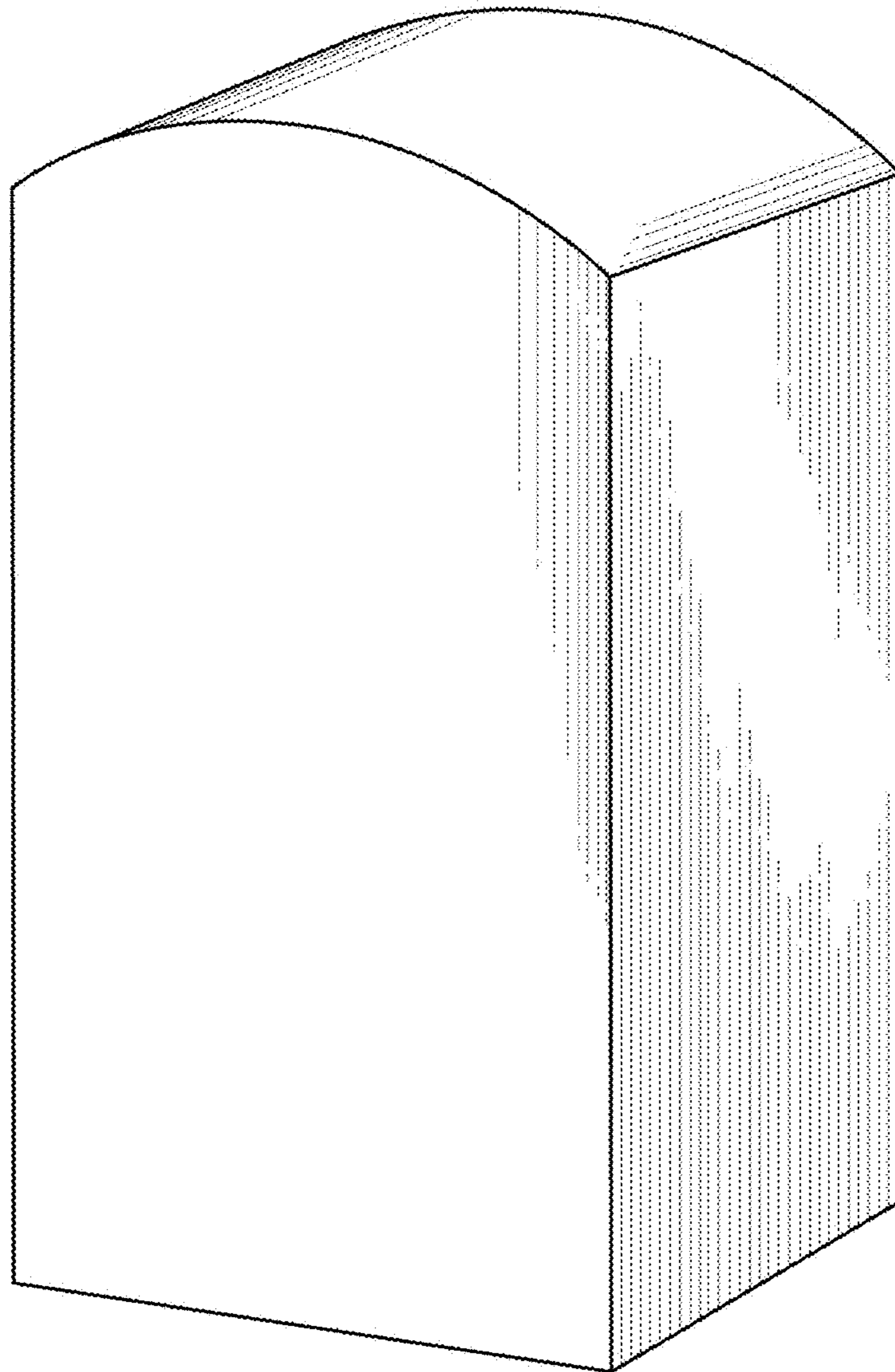


FIG.5

