

US00D925858S

(12) **United States Design Patent** (10) **Patent No.:** **US D925,858 S**
Pullen et al. (45) **Date of Patent:** **** Jul. 20, 2021**

(54) **BUMPER FOR CARTS**
(71) Applicant: **Rubbermaid Commercial Products LLC**, Atlanta, GA (US)
(72) Inventors: **Hillary A. Pullen**, Charlotte, NC (US);
Ryan M. Baker, Charlotte, NC (US);
Jeffrey S. Bertucci, Denver, NC (US);
Earle Cramer, Portage, MI (US)
(73) Assignee: **RUBBERMAID COMMERCIAL PRODUCTS LLC**, Atlanta, GA (US)
(**) Term: **15 Years**
(21) Appl. No.: **29/686,602**
(22) Filed: **Apr. 5, 2019**
(51) **LOC (13) Cl.** **12-02**
(52) **U.S. Cl.**
USPC **D34/27**
(58) **Field of Classification Search**
USPC D34/12-39; D12/500, 505, 507, 535,
D12/592, 570; D21/779; D8/373-377
CPC B60B 1/00; B60B 9/04; B60B 9/26; B60C
7/14; B60C 7/22; B60C 7/00
See application file for complete search history.

(56) **References Cited**
U.S. PATENT DOCUMENTS
1,335,752 A * 4/1920 Ratchford B60B 9/26
152/86
1,336,031 A * 4/1920 Gebhardt B60B 9/26
152/85
1,832,770 A 2/1923 Hallowell
1,500,716 A * 7/1924 Pependick B60B 9/26
301/84
1,888,726 A 11/1932 Jarvis et al.
2,465,148 A 9/1944 Coonen
2,935,330 A 5/1960 Millman
3,140,111 A 7/1964 Dabroski

6,454,361 B1 * 9/2002 Martin A63C 17/22
301/37.22
6,467,519 B1 * 10/2002 Owen B60B 15/00
152/323
D844,541 S * 4/2019 Abe D12/500
(Continued)

OTHER PUBLICATIONS

Rubbermaid Bumper Kit, announced 2020 [online], [site visited Dec. 15, 2020], Available from internet, URL: <https://www.webstaurantstore.com/rubbermaid-2067692-full-size-housekeeping-cart-bumper-kit/6902067692.html> (Year: 2020).*

Primary Examiner — George A Bugg
Assistant Examiner — Tamara L Hahn
(74) *Attorney, Agent, or Firm* — Eversheds Sutherland (US) LLP

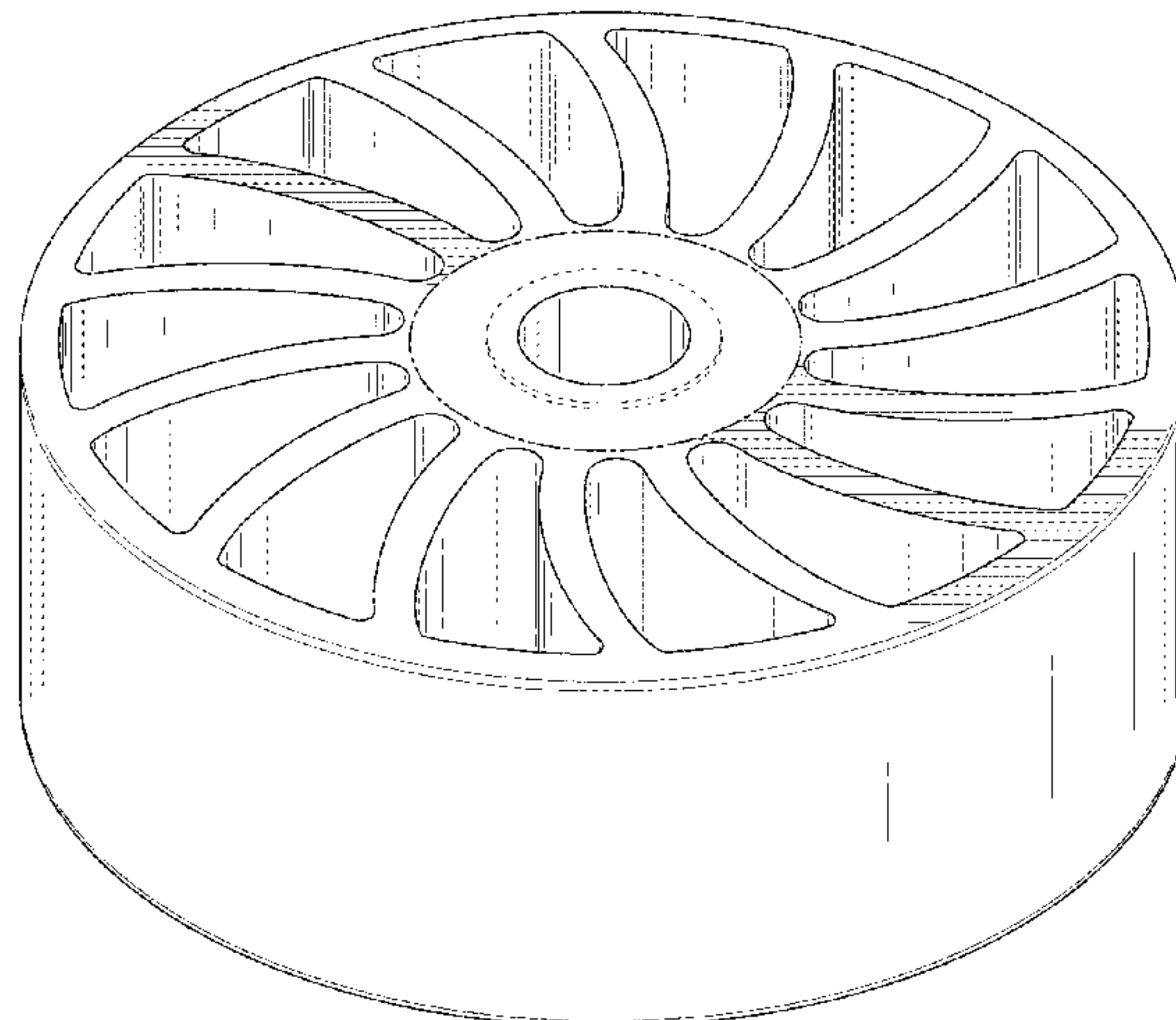
(57) **CLAIM**

We claim the ornamental design for a bumper for carts, as shown and described.

DESCRIPTION

FIG. 1 is an upper perspective view showing our new design for a bumper for carts;
FIG. 2 is a top view showing the design of FIG. 1;
FIG. 3 is a bottom view showing the design of FIG. 1;
FIG. 4 is a side view showing the design of FIG. 1;
FIG. 5 is a partial perspective view showing the bumper for carts of FIG. 1 associated with a cart;
FIG. 6 is a perspective view showing the bumper for carts of FIG. 1 associated with a cart; and,
FIG. 7 is a magnified view of the bumper for carts of FIG. 6.
The evenly spaced broken lines in FIGS. 1 to 7 depict portions of the bumper for carts that form no part of the claimed design.
The dot-dash broken lines show boundaries, and do not form a part of the claimed design. In FIGS. 5 to 7, the evenly

(Continued)



spaced broken lines illustrating environmental structure do not form a part of the claimed design.

1 Claim, 7 Drawing Sheets

(56) **References Cited**

U.S. PATENT DOCUMENTS

2003/0226204	A1	12/2003	Dodge	
2011/0225767	A1	9/2011	Taylor et al.	
2017/0327141	A1	11/2017	Tuma et al.	
2019/0001768	A1*	1/2019	Stone	B60B 9/26
2019/0009611	A1*	1/2019	Abe	B60C 7/00
2019/0009624	A1*	1/2019	Stone	B60B 9/26

* cited by examiner

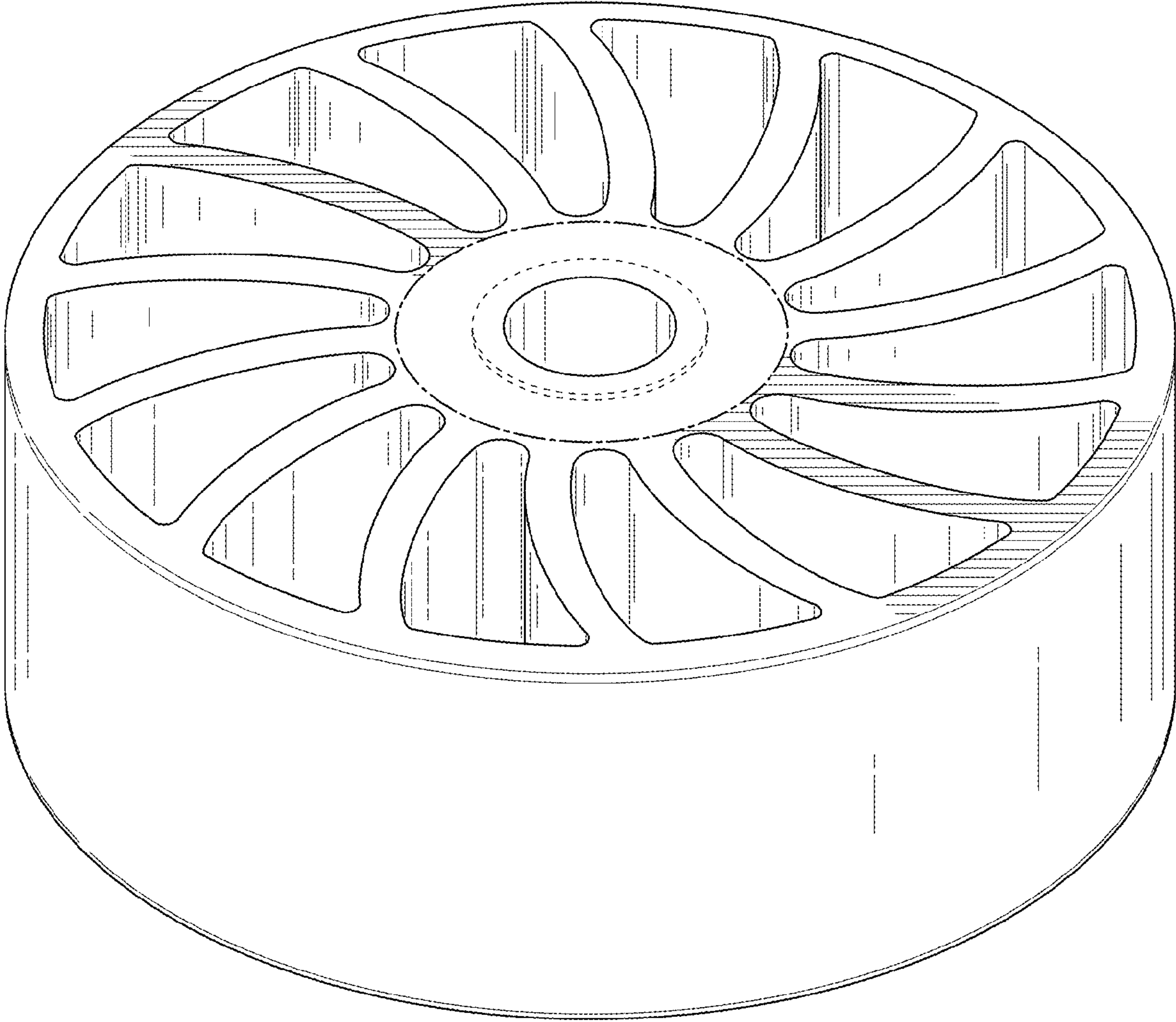


FIG. 1

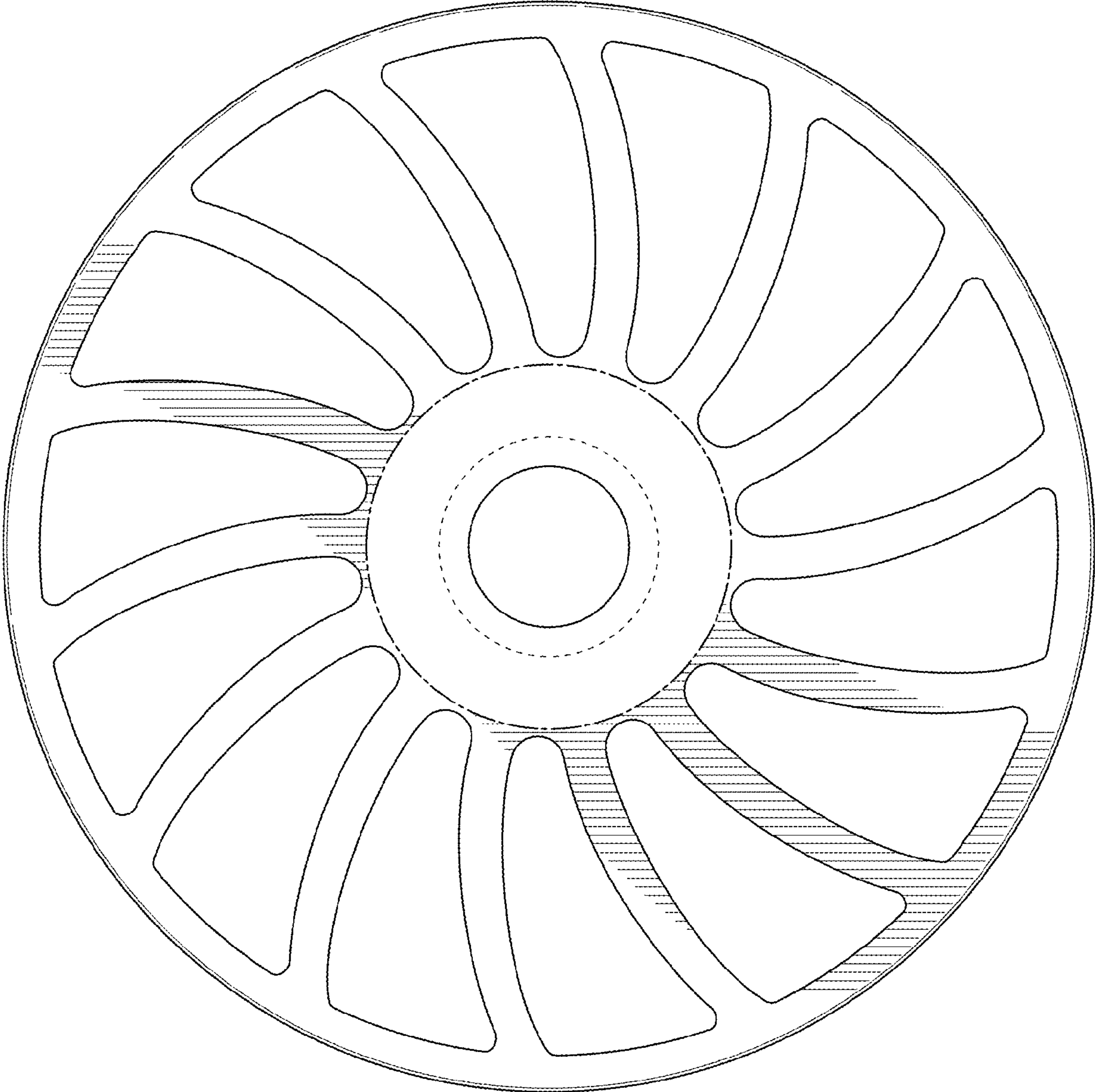


FIG. 2

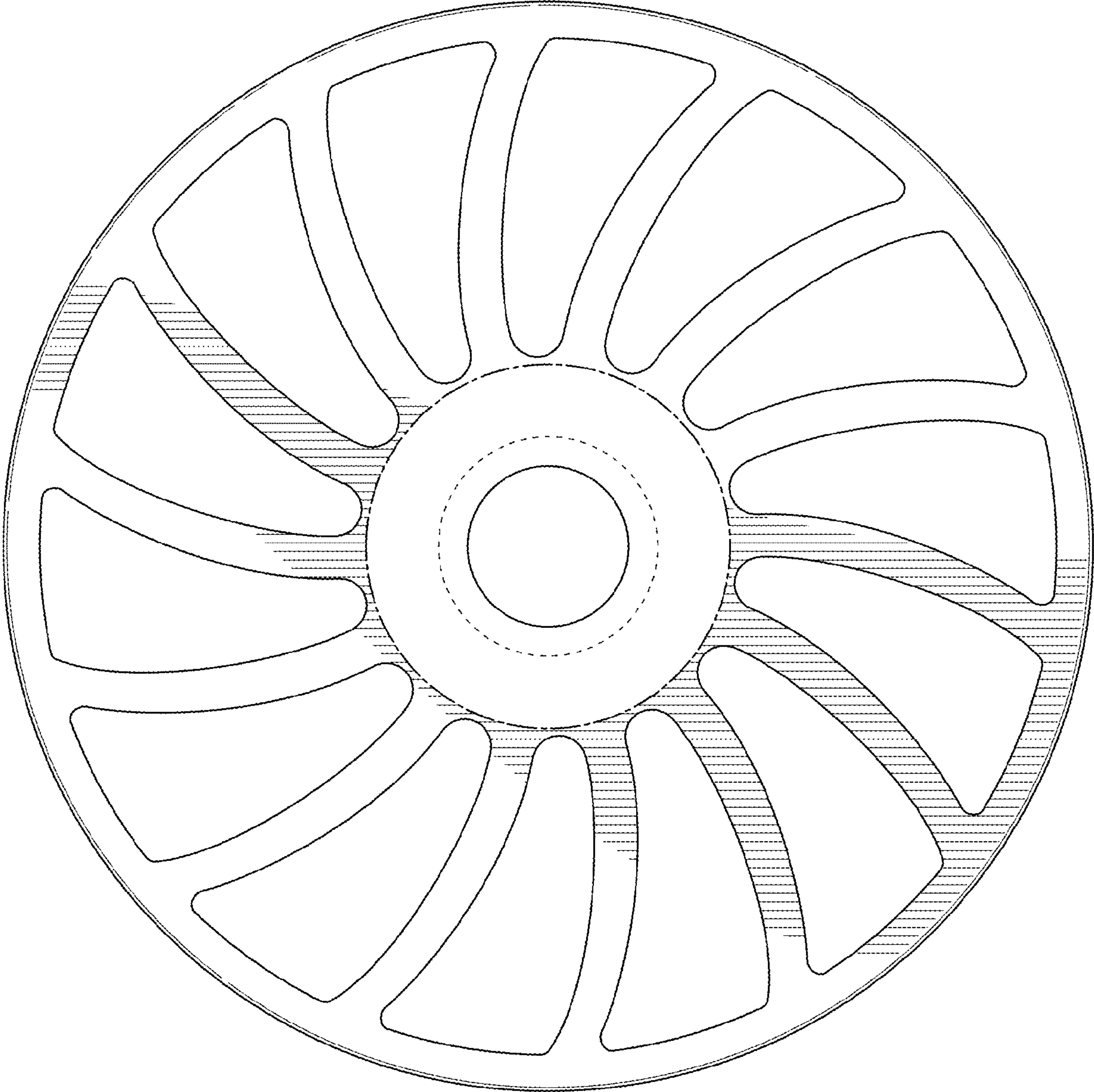


FIG. 3

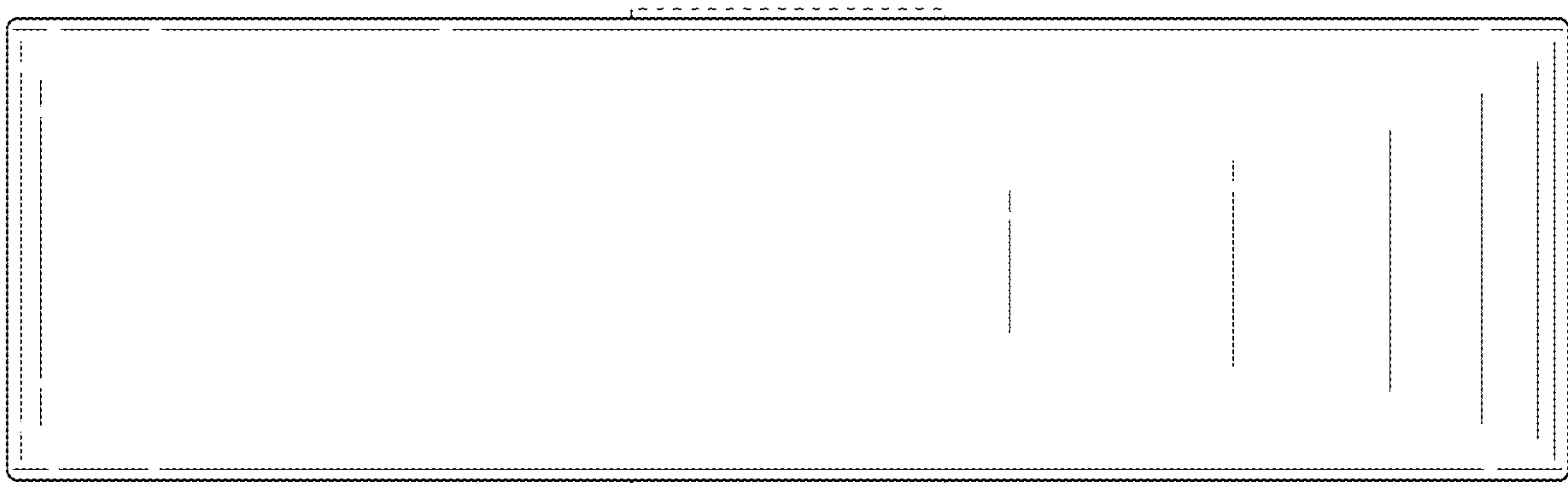


FIG. 4

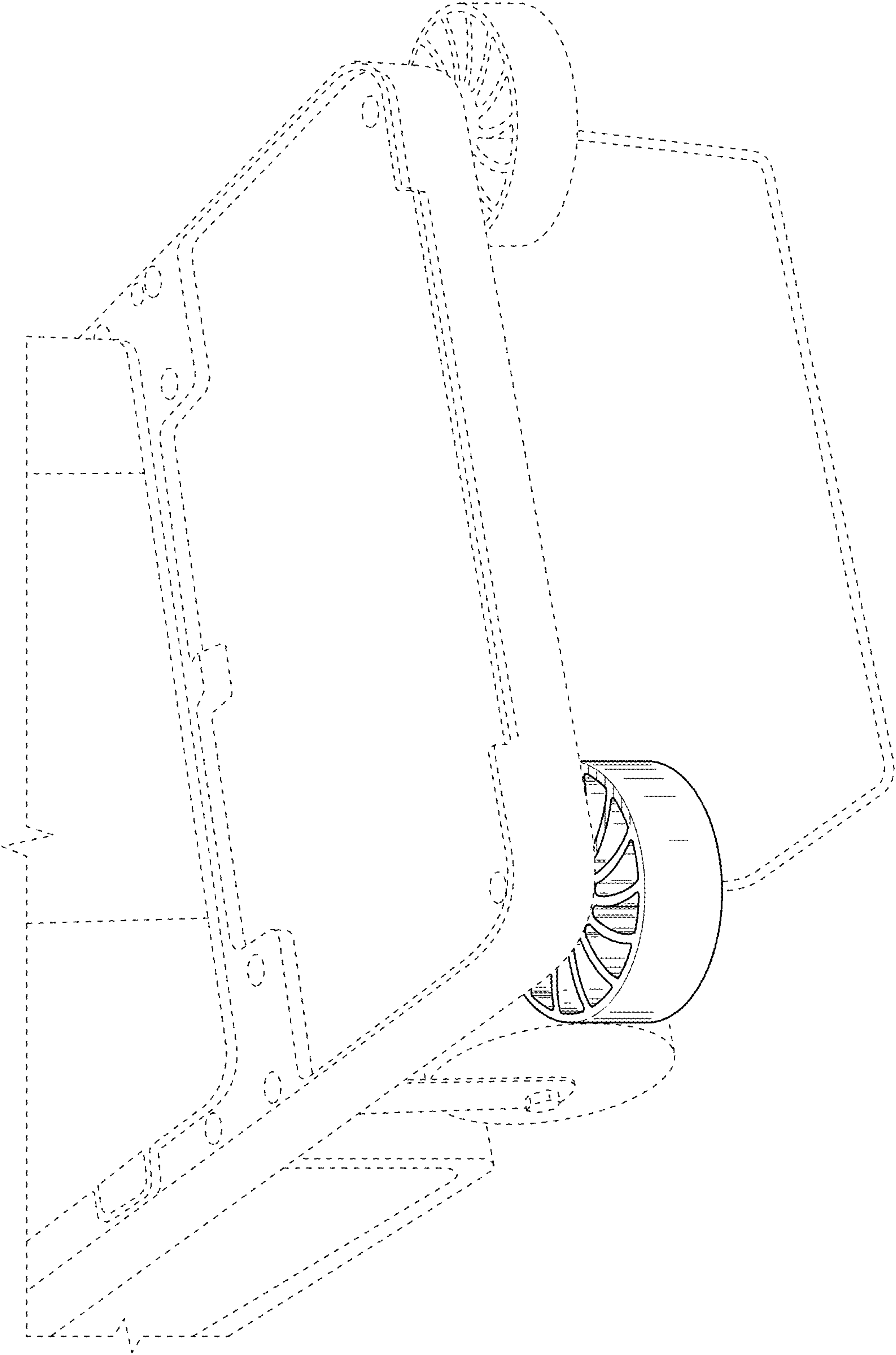


FIG. 5

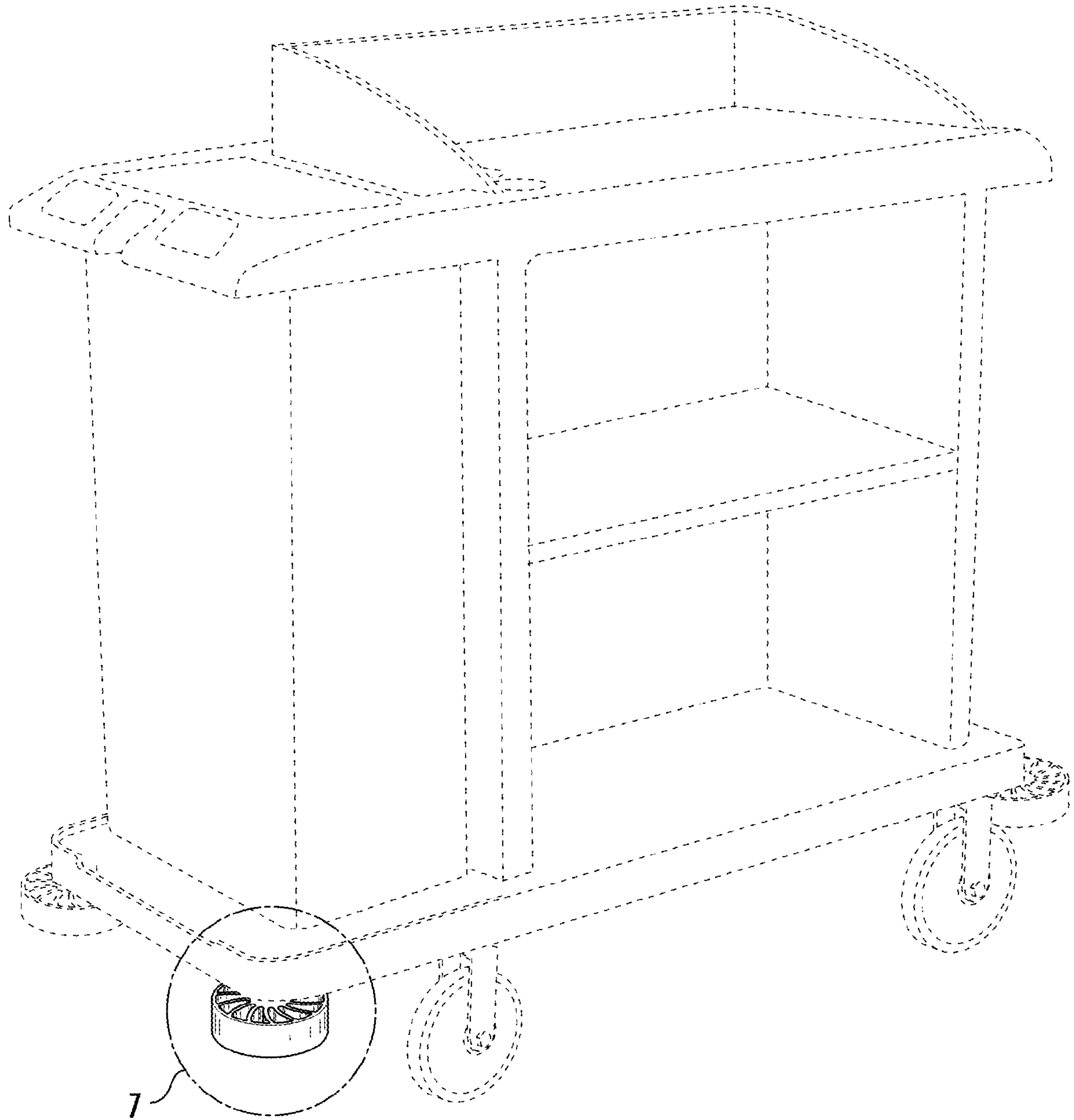


FIG. 6

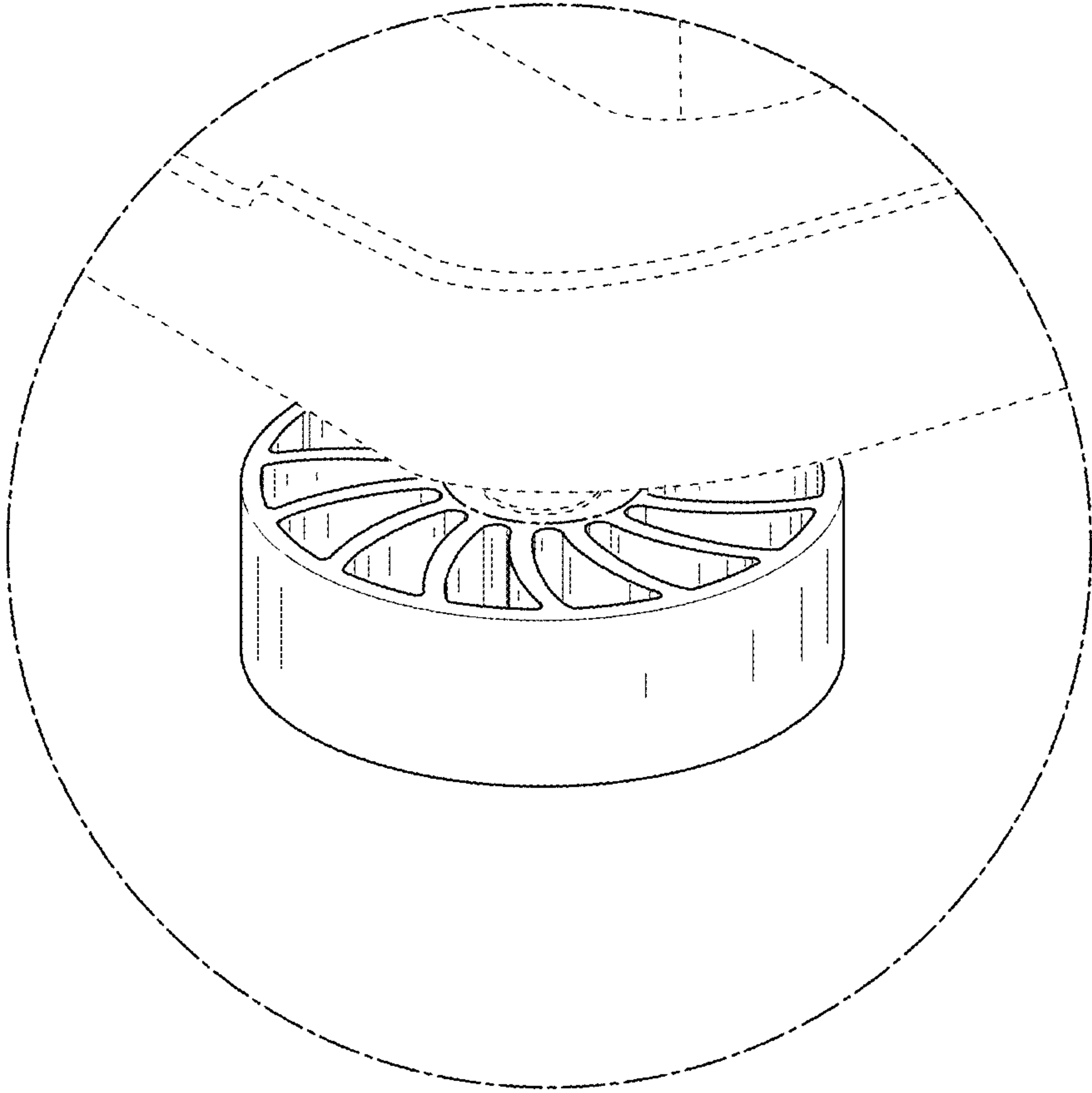


FIG. 7