

US00D925857S

(12) **United States Design Patent** (10) **Patent No.:** **US D925,857 S**
Downing et al. (45) **Date of Patent:** **** Jul. 20, 2021**

(54) **WASTE RECEPTACLE**

(71) Applicant: **Rubbermaid Commercial Products LLC**, Atlanta, GA (US)

(72) Inventors: **Brian Wortham Downing**, Charlotte, NC (US); **Juan Carlos Perez**, Huntersville, NC (US); **Dylan Arthur Terry**, Charlotte, NC (US); **Ryan Michael Baker**, Charlotte, NC (US); **Christopher John Parke**, Huntersville, NC (US)

(73) Assignee: **Rubbermaid Commercial Products LLC**, Atlanta, GA (US)

(**) Term: **15 Years**

(21) Appl. No.: **29/724,614**

(22) Filed: **Feb. 18, 2020**

(51) **LOC (13) Cl.** **09-09**

(52) **U.S. Cl.**
USPC **D34/9**

(58) **Field of Classification Search**
USPC D34/1, 5, 6, 7, 8, 9
CPC B65F 1/1607; B65F 1/163; B65F 1/062; B65F 1/1623

See application file for complete search history.

(56) **References Cited**

U.S. PATENT DOCUMENTS

D554,320 S	10/2007	Williams	
8,074,833 B2	12/2011	Yang et al.	
D730,008 S	5/2015	Yang et al.	
D778,021 S	1/2017	Duvigneau	
9,771,215 B2	9/2017	Rogers	
D841,275 S *	2/2019	Chen	D34/9
D842,573 S *	3/2019	Smeets	D34/9
D853,067 S *	7/2019	Chen	D34/9
D905,367 S *	12/2020	Smeets	D34/9

D906,620 S * 12/2020 Tan D34/8
2013/0105486 A1 * 5/2013 Mashburn B65F 1/08
220/495.06

2019/0152695 A1 5/2019 Wegner et al.
(Continued)

OTHER PUBLICATIONS

Hefty 12.4 Gallon Premium Step Trash Can, <https://www.target.com/p/hefty-12-4-gallon-premium-step-trash-can-black/-/A-75575212> [retrieved on Jun. 18, 2020].

(Continued)

Primary Examiner — Cynthia Ramirez

(74) *Attorney, Agent, or Firm* — Eversheds Sutherland (US) LLP

(57) **CLAIM**

We claim the ornamental design for a waste receptacle, as shown and described.

DESCRIPTION

FIG. 1 is a front perspective view showing our new design for a waste receptacle;

FIG. 2 is a rear perspective view showing the waste receptacle of FIG. 1;

FIG. 3 is a front view showing the waste receptacle of FIG. 1;

FIG. 4 is a rear view showing the waste receptacle of FIG. 1;

FIG. 5 is a left side view showing the waste receptacle of FIG. 1;

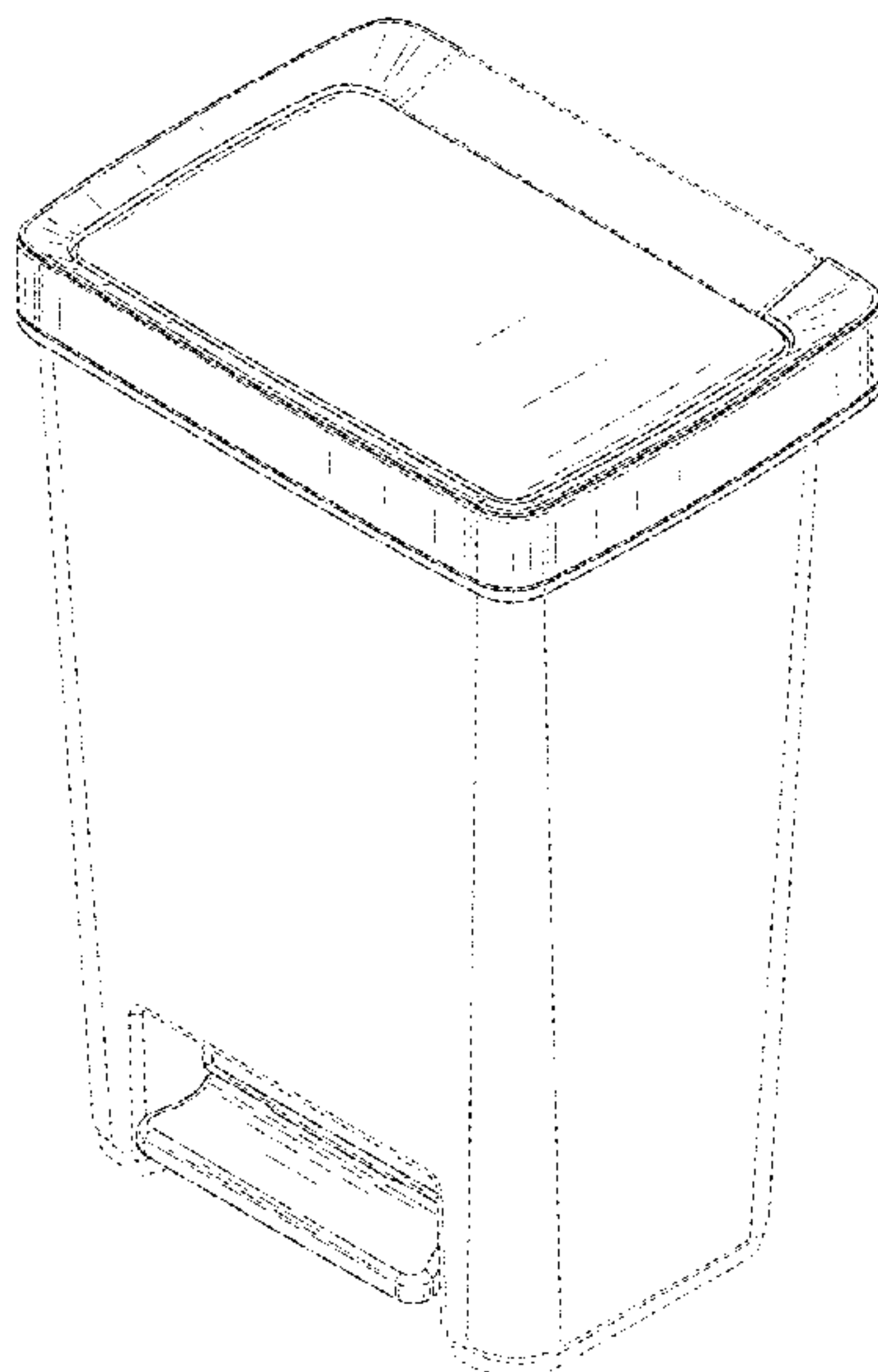
FIG. 6 is a right side view showing the waste receptacle of FIG. 1;

FIG. 7 is a top view showing the waste receptacle of FIG. 1; and,

FIG. 8 is a bottom view showing the waste receptacle of FIG. 1.

In FIGS. 1 to 8, the broken lines in the figures are for purposes of illustrating portions of the waste receptacle, that form no part of the claimed design.

1 Claim, 7 Drawing Sheets



(56)

References Cited

U.S. PATENT DOCUMENTS

2019/0152696 A1* 5/2019 Wegner B65F 1/1646
2019/0185263 A1 6/2019 Yang et al.

OTHER PUBLICATIONS

Rubbermaid Step-on Lid Trash Can, <https://www.amazon.com/Rubbermaid-VERSION-Kitchen-Bathroom-Garbage/dp/B00MZSHX6Y/> [retrieved on Jun. 18, 2020].

* cited by examiner

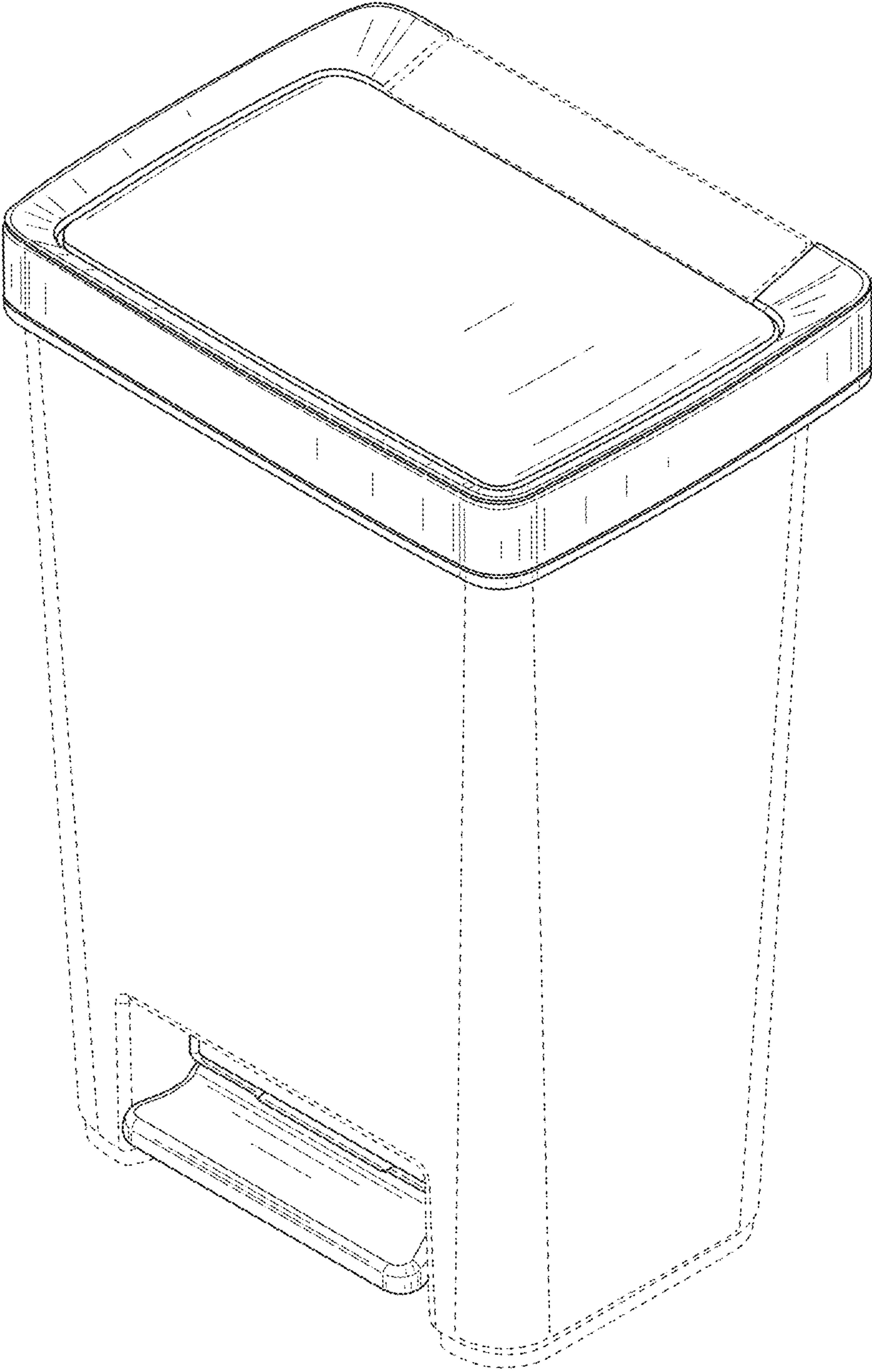


FIG. 1

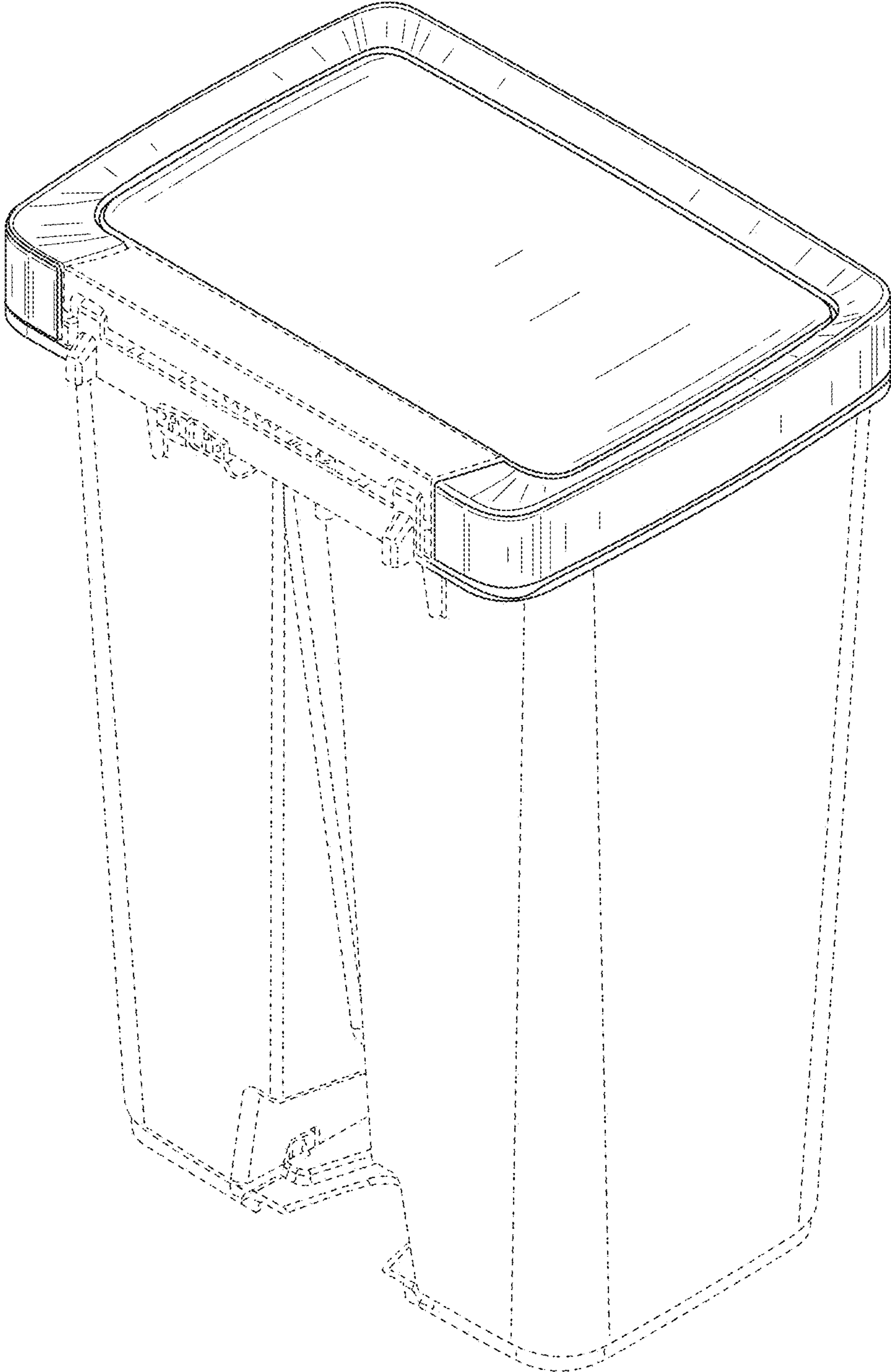


FIG. 2

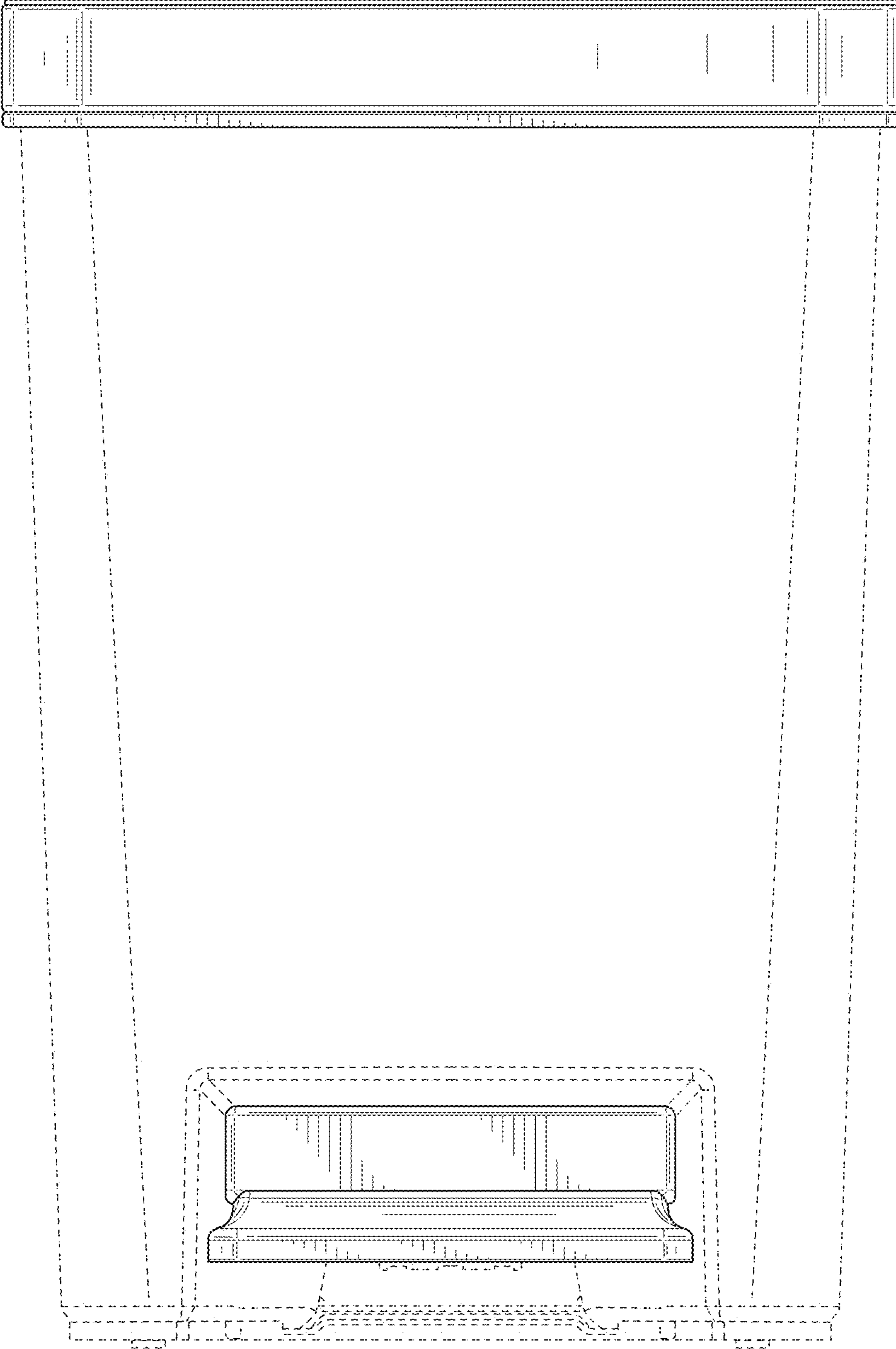


FIG. 3

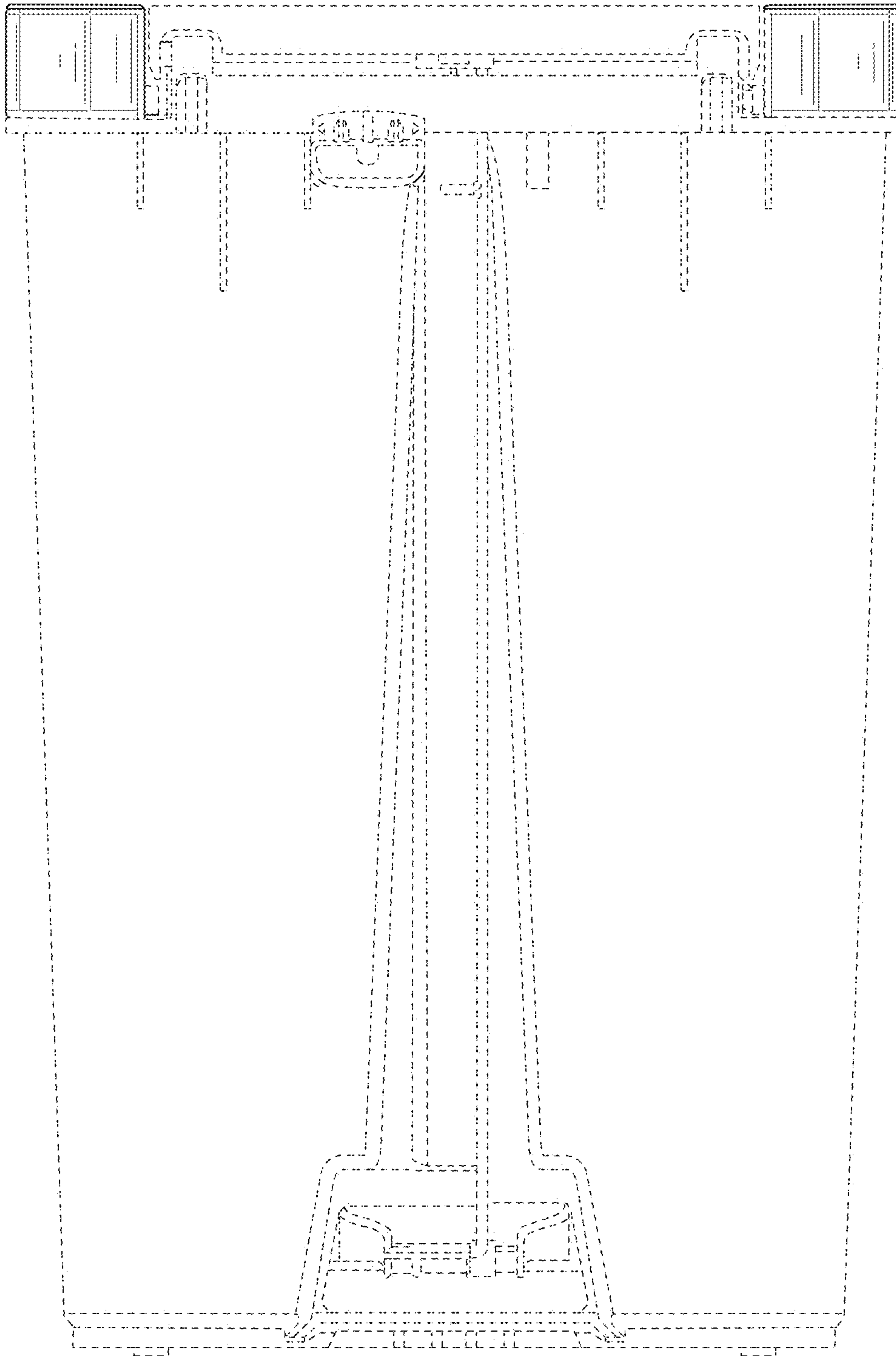


FIG. 4

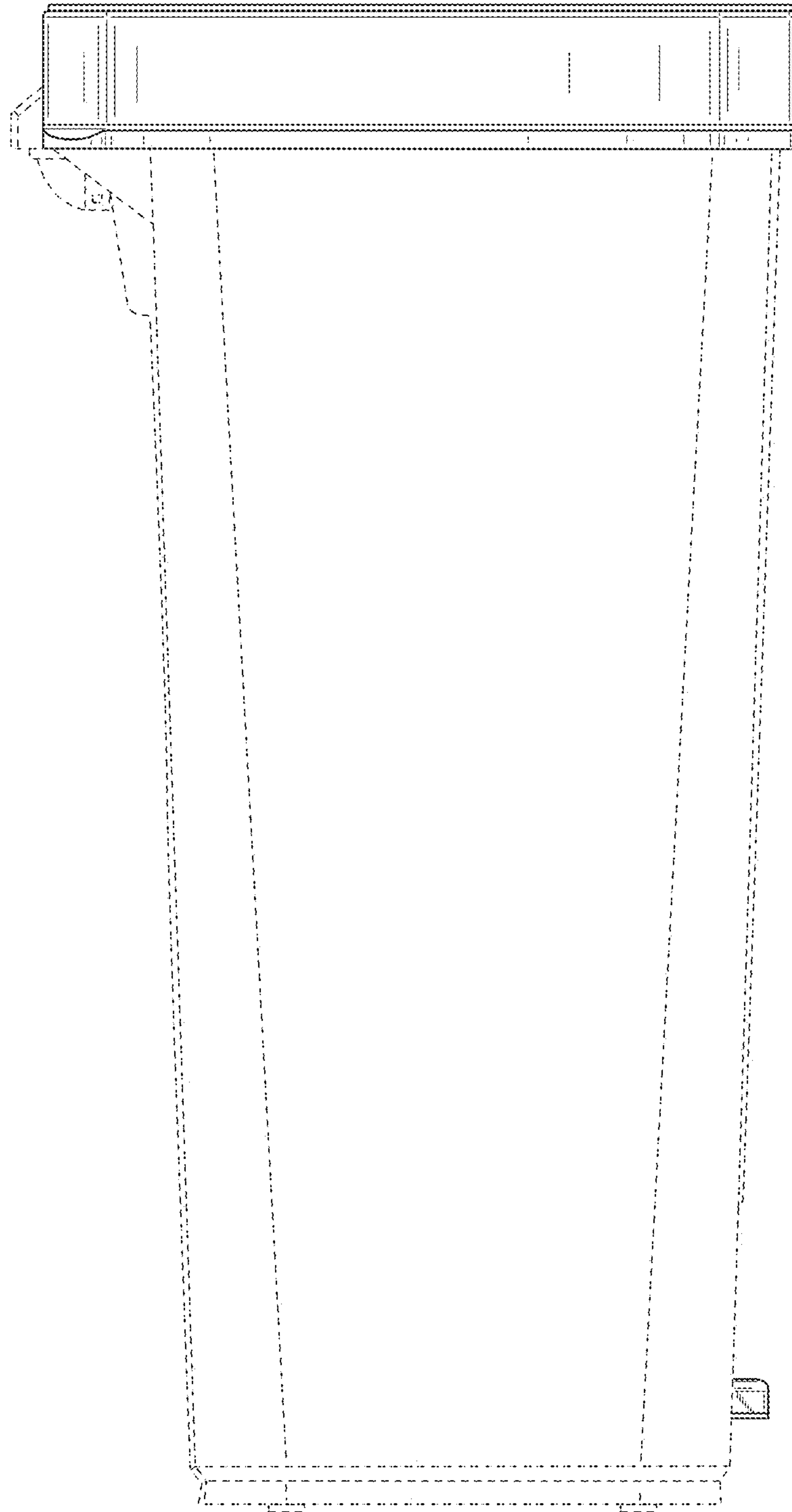


FIG. 5

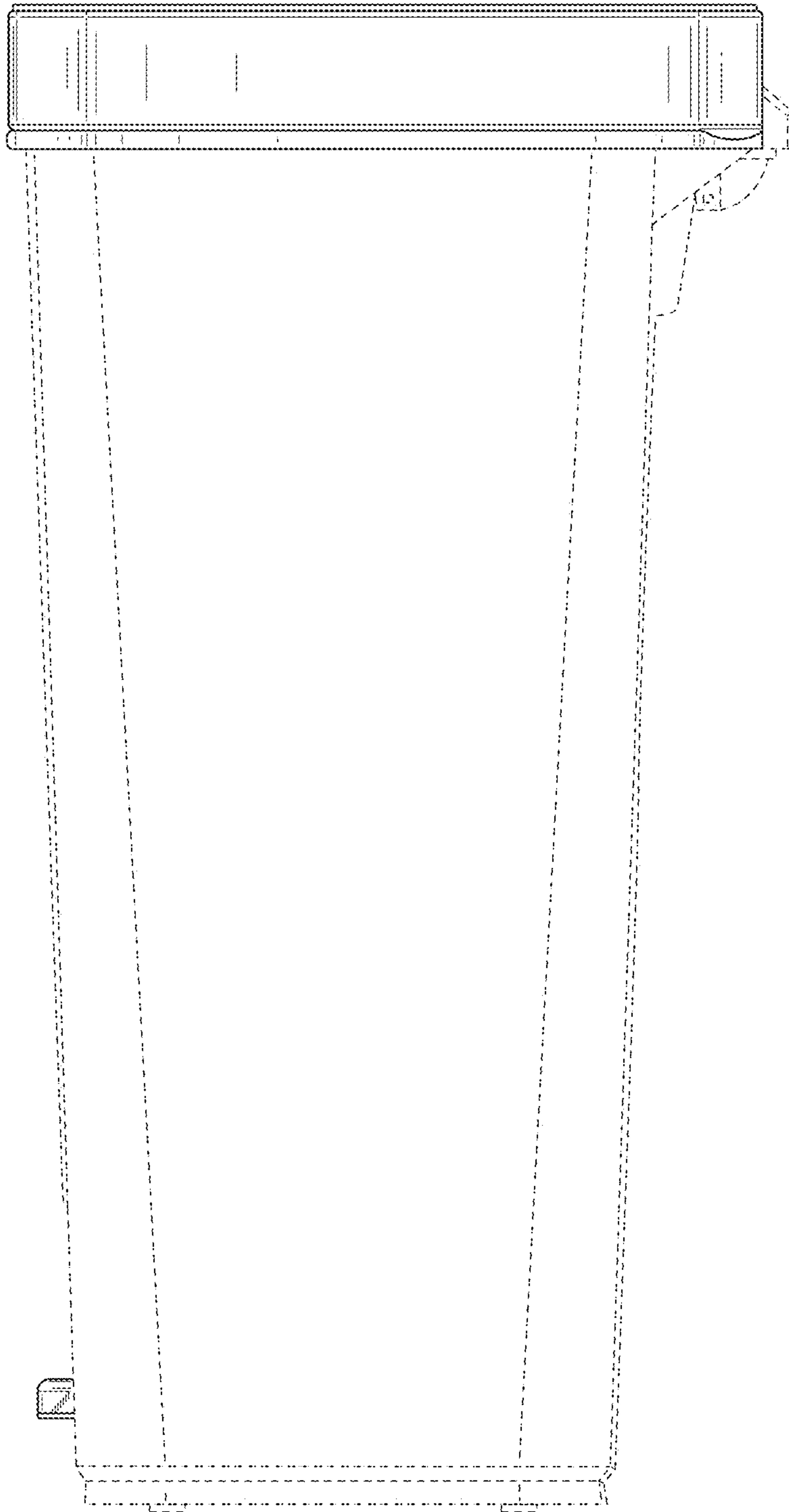


FIG. 6

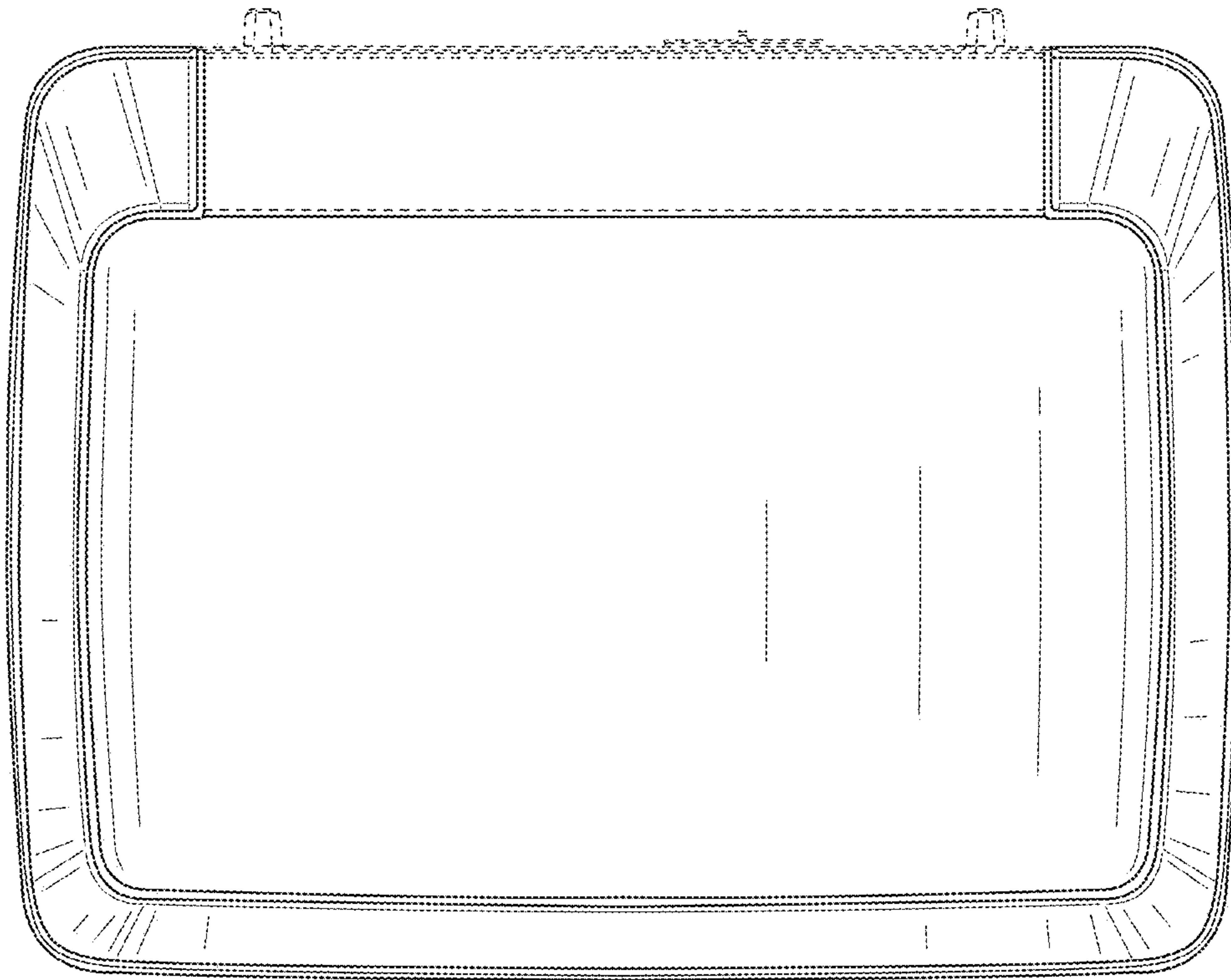


FIG. 7

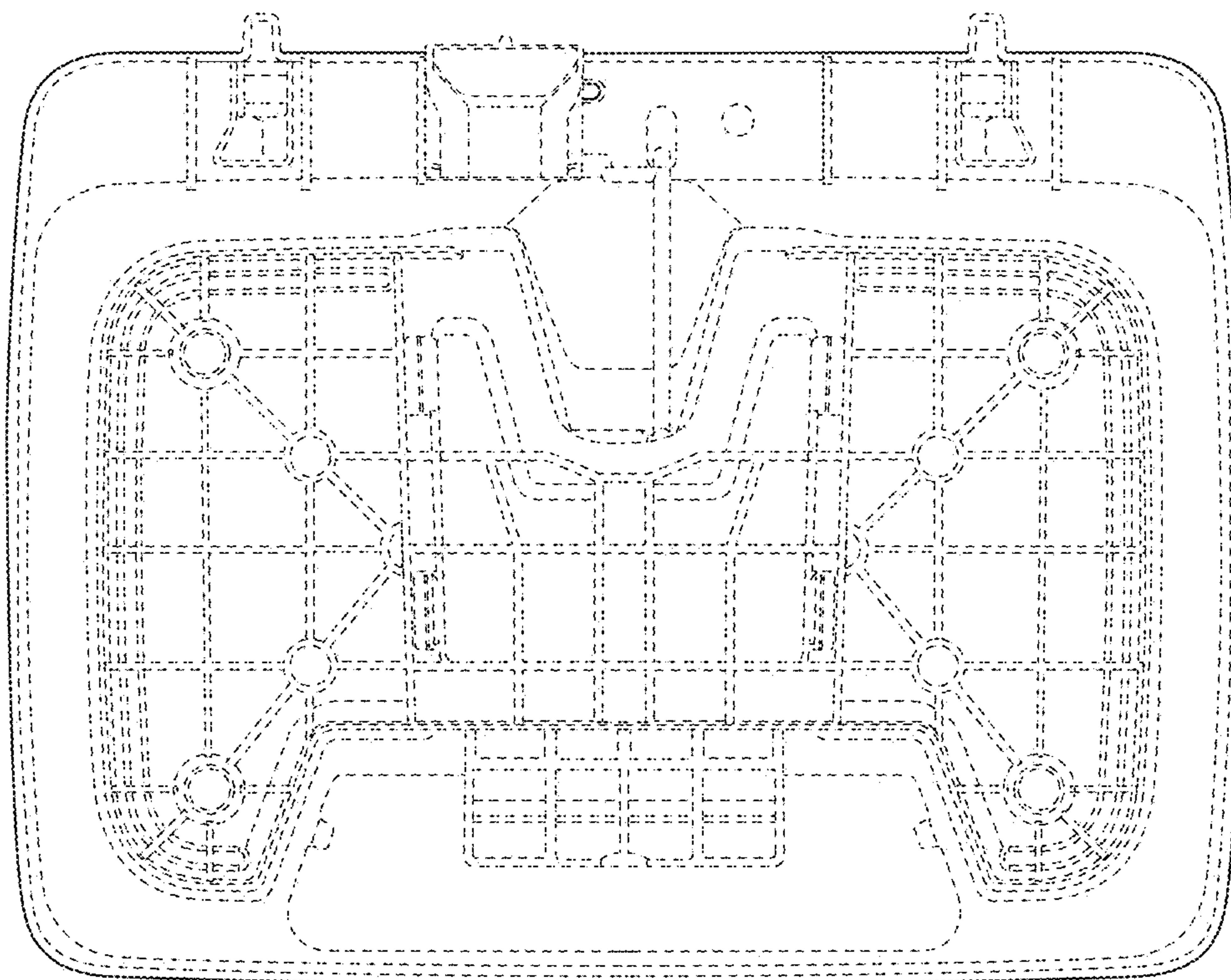


FIG. 8