



US00D925855S

(12) **United States Design Patent** (10) **Patent No.:** **US D925,855 S**
Park (45) **Date of Patent:** **** Jul. 20, 2021**

(54) **DUSTPAN**
(71) Applicants: **PLATECH CO., LTD.**, Paju-si (KR);
Chan Moon Park, Seoul (KR)
(72) Inventor: **Chan Moon Park**, Seoul (KR)
(73) Assignees: **PLATECH CO., LTD**, Gyeonggi-Do
(KR); **Chan Moon Park**, Seoul (KR)
(**) Term: **15 Years**
(21) Appl. No.: **29/714,247**
(22) Filed: **Nov. 21, 2019**
(51) **LOC (13) Cl.** **07-05**
(52) **U.S. Cl.**
USPC **D32/74**
(58) **Field of Classification Search**
USPC D32/74, 41; D30/162; D7/691, 688;
D4/116; 15/257.5, 257.3, 257.2, 257.1;
134/6
CPC A47L 13/52; A47L 13/51; A46B 15/00;
A46B 15/0097; A46B 15/0095; A46B
17/04; A46B 5/00; A46B 2200/302
See application file for complete search history.

(56) **References Cited**
U.S. PATENT DOCUMENTS
D468,879 S * 1/2003 Perelli D32/74
6,732,402 B1 * 5/2004 Hsu A47L 13/52
15/257.6
D551,820 S * 9/2007 Morad D32/74
D824,630 S * 7/2018 Libman D32/74
D845,574 S * 4/2019 Martino D32/74
D853,673 S * 7/2019 Aguiar D32/74
D871,011 S * 12/2019 Serfas D32/74
D882,902 S * 4/2020 Schouten D32/74
D912,359 S * 3/2021 Jiang D32/74

* cited by examiner

Primary Examiner — Austin Murphy
(74) *Attorney, Agent, or Firm* — Kirton McConkie; Evan
R. Witt

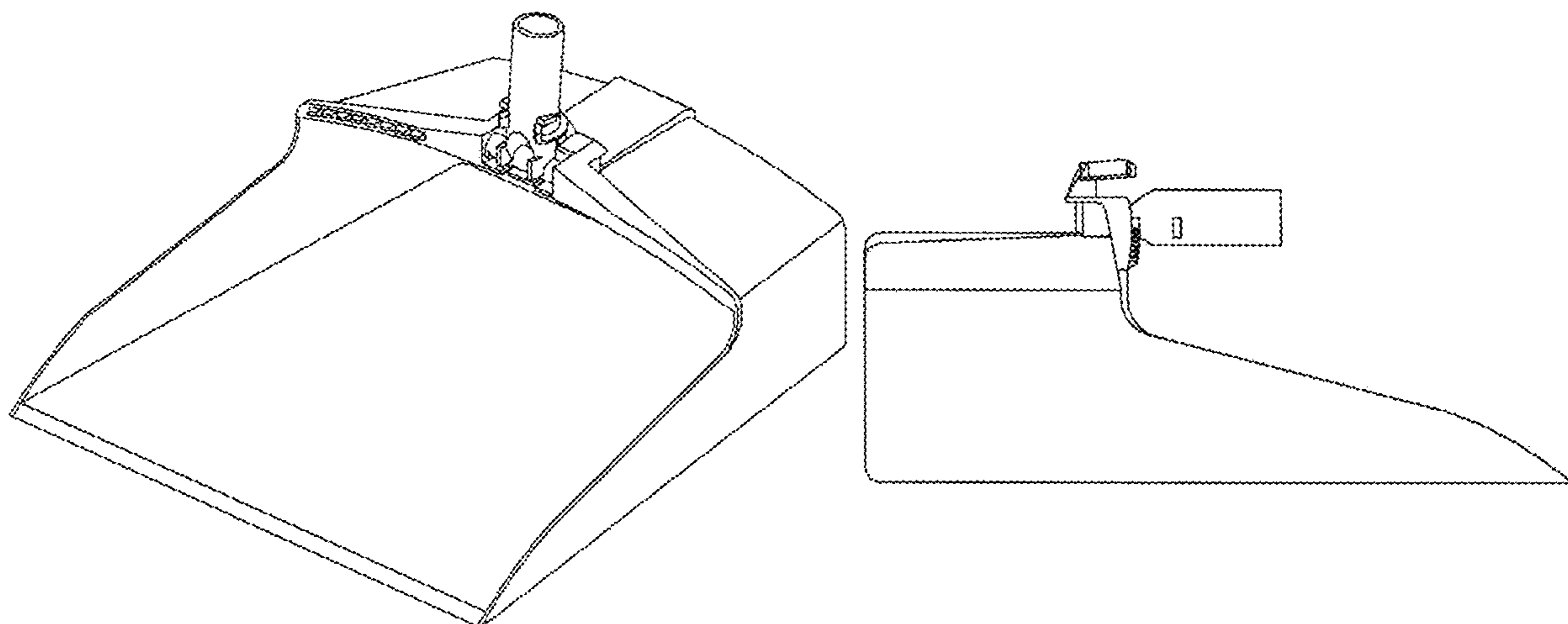
(57) **CLAIM**

The ornamental design for a dustpan, as shown and described.

DESCRIPTION

FIG. 1 is a front elevational view of a dustpan showing my new design in a use state;
FIG. 2 is rear elevational view thereof;
FIG. 3 is a top plan view thereof;
FIG. 4 is a bottom plan view thereof;
FIG. 5 is a left side elevational view thereof;
FIG. 6 is a right side elevational view thereof;
FIG. 7 is a perspective view thereof;
FIG. 8 is a perspective view showing a handle attached to the dustpan;
FIG. 9 is a front elevational view of a dustpan showing my new design in a storage state;
FIG. 10 rear elevational view thereof;
FIG. 11 is a top plan view thereof;
FIG. 12 is a bottom plan view thereof;
FIG. 13 is a left side elevational view thereof;
FIG. 14 is a right side elevational view thereof;
FIG. 15 is a perspective view thereof; and,
FIG. 16 is a perspective view showing a handle attached to the dustpan.
The broken lines are for the purpose of illustrating portions of a handle attached to the dustpan and form no part of the claimed design.

1 Claim, 12 Drawing Sheets



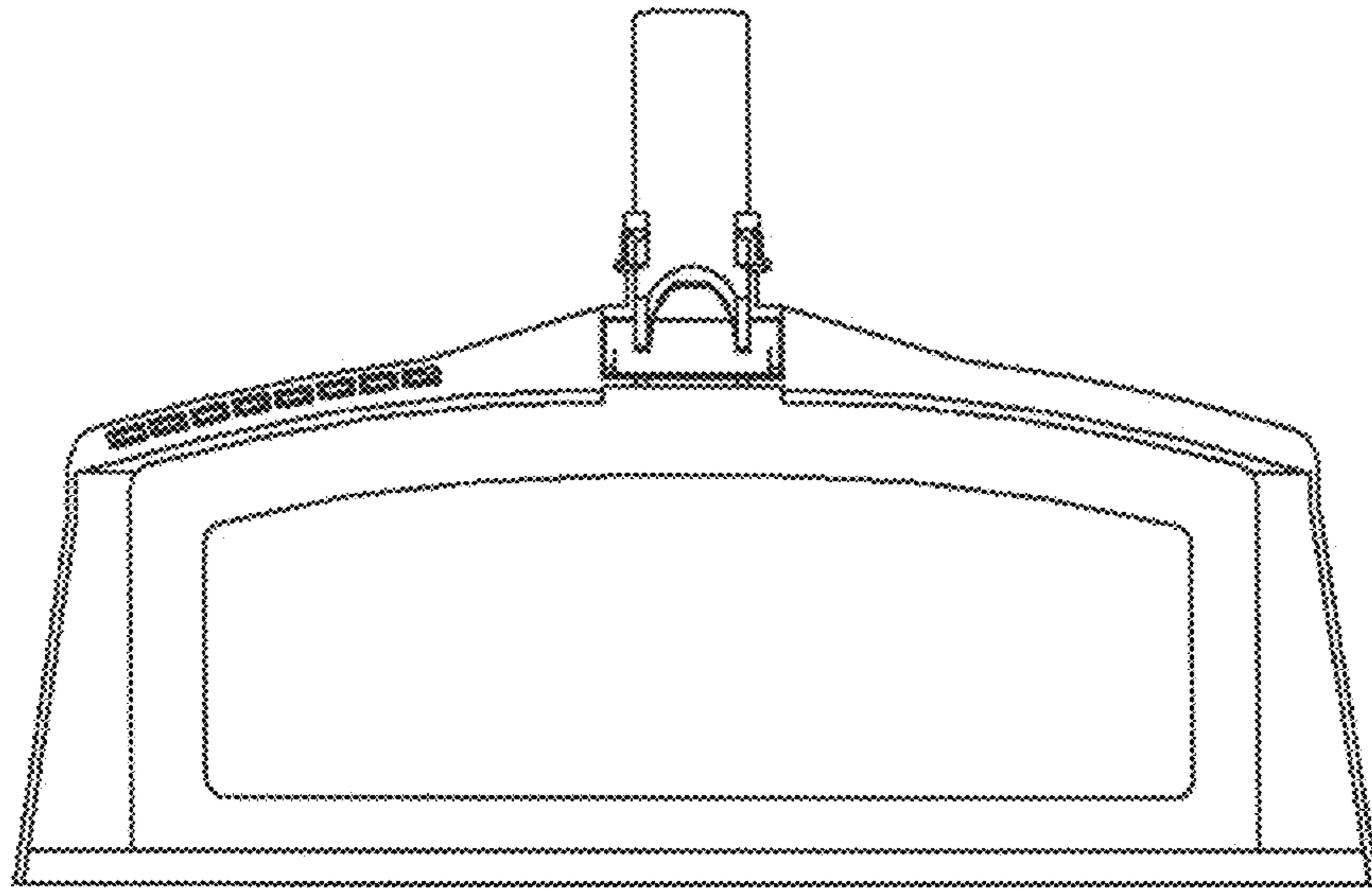


Fig. 1

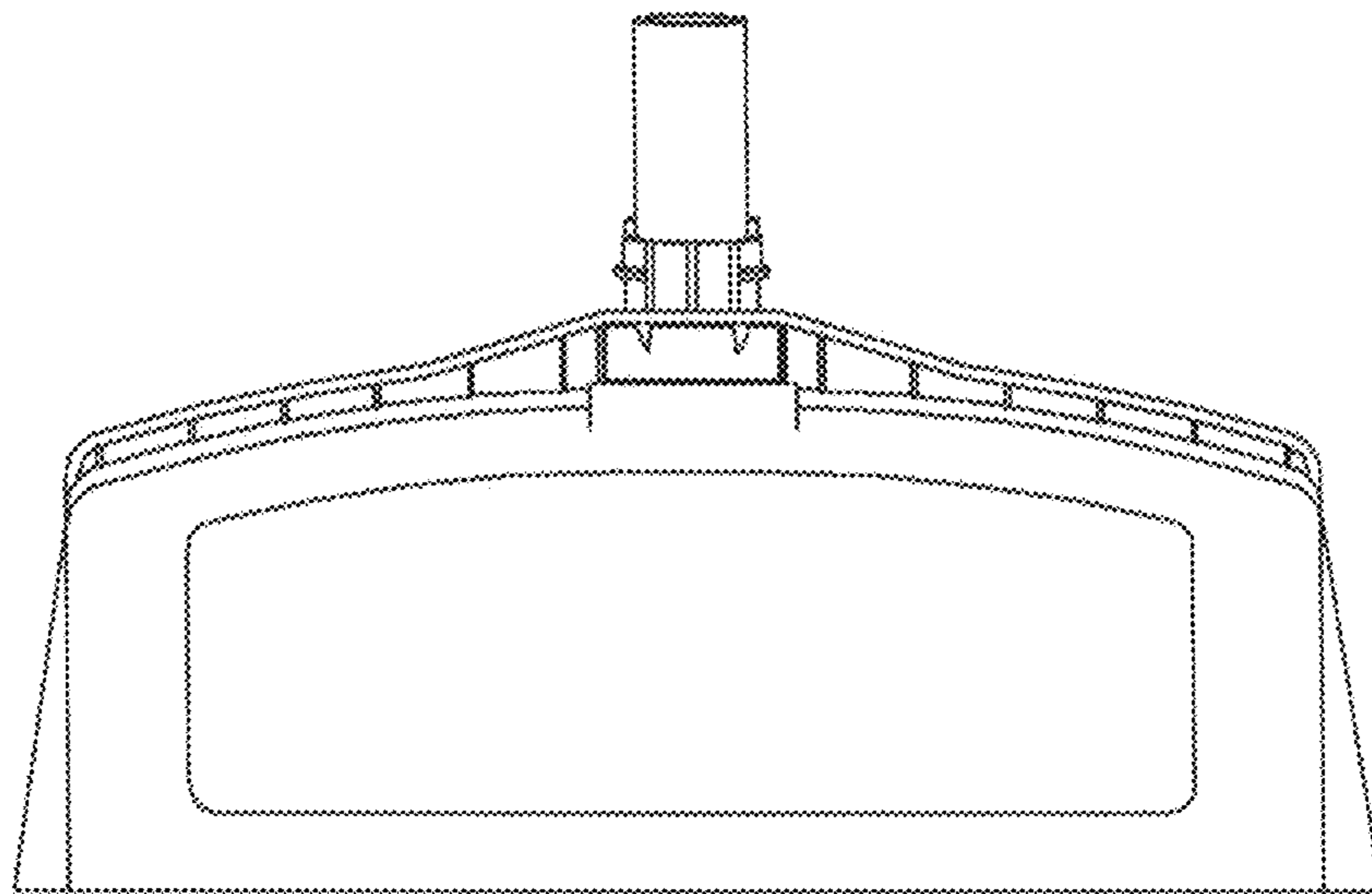


Fig. 2

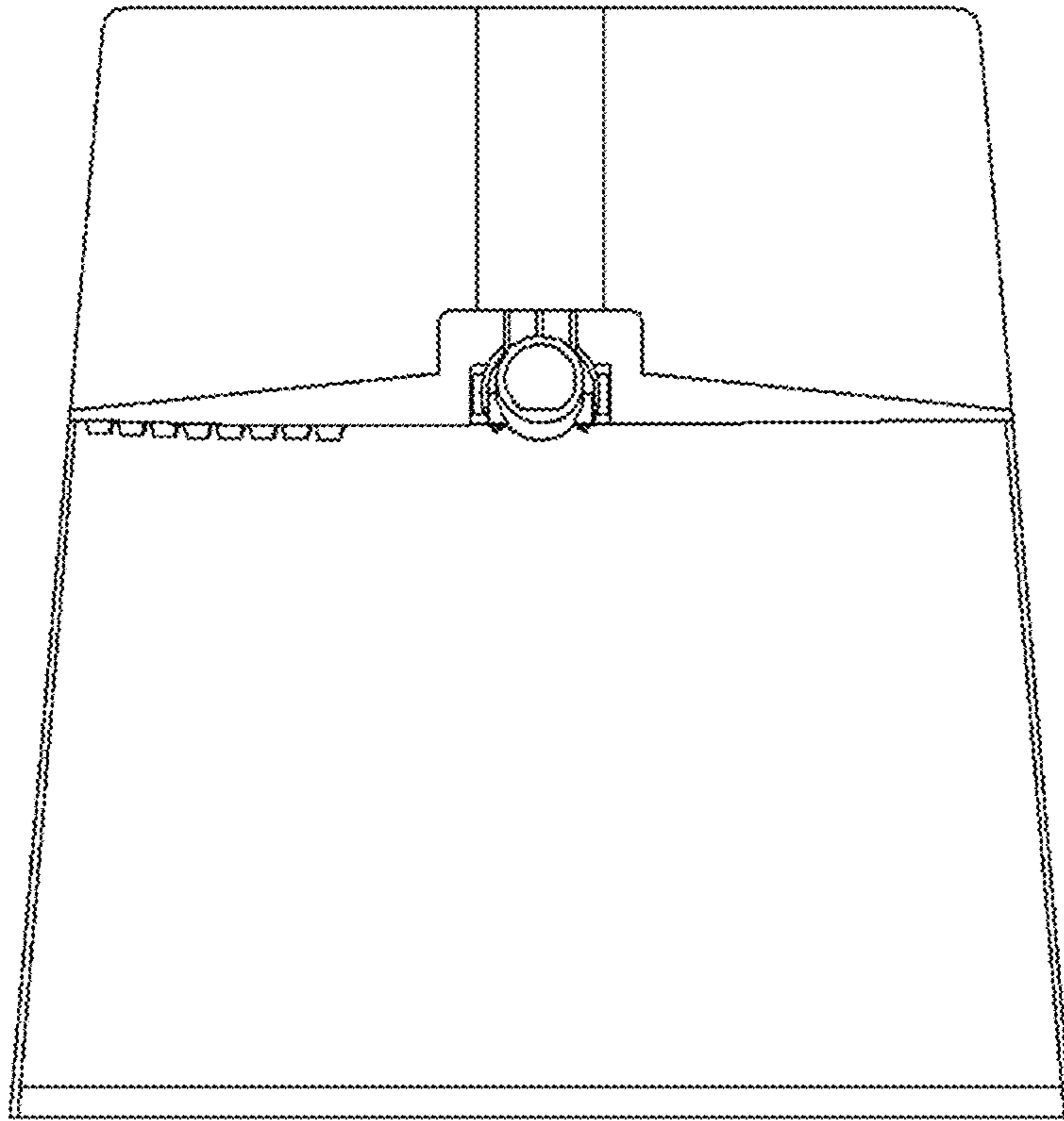


Fig. 3

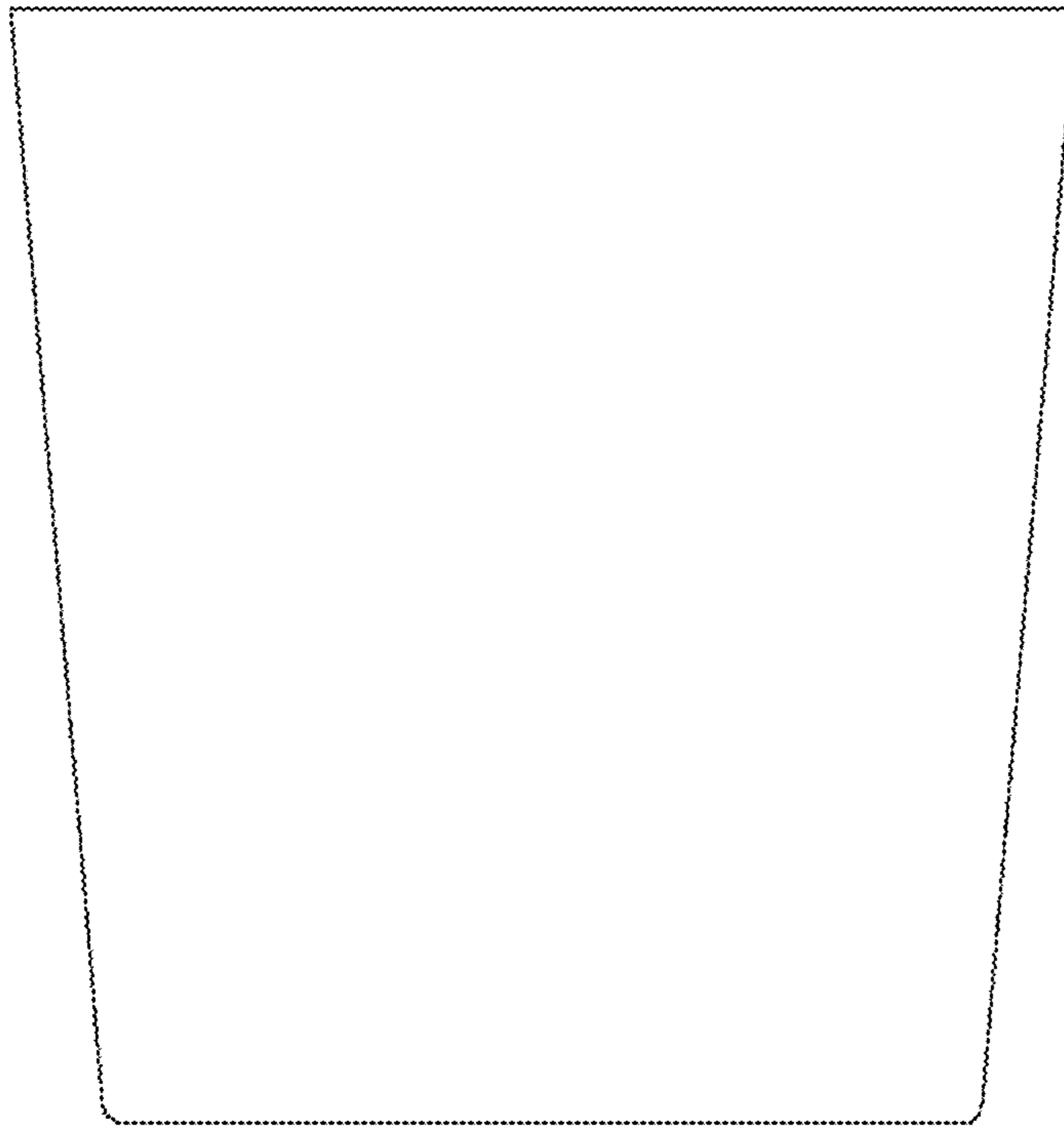


Fig. 4

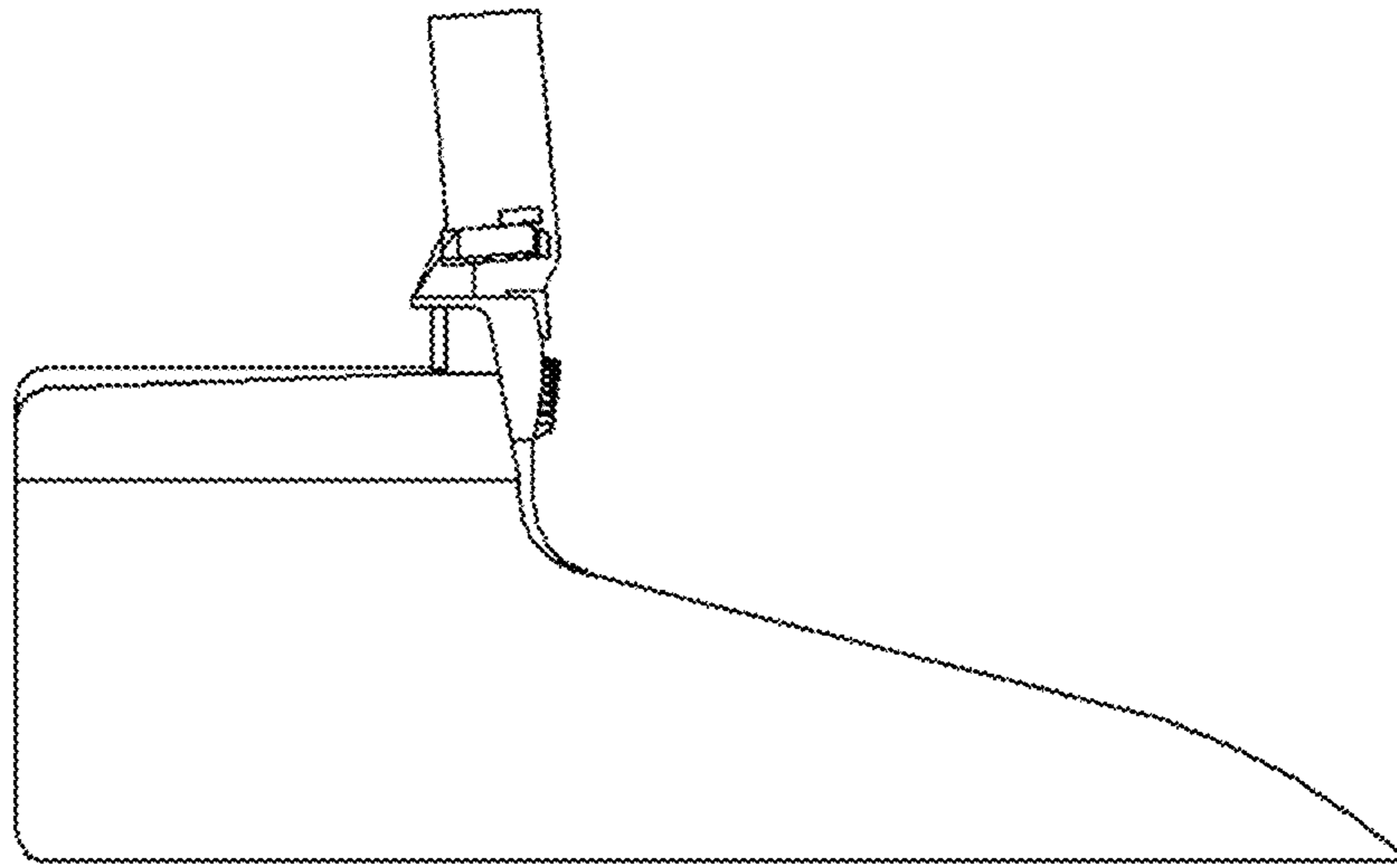


Fig. 5

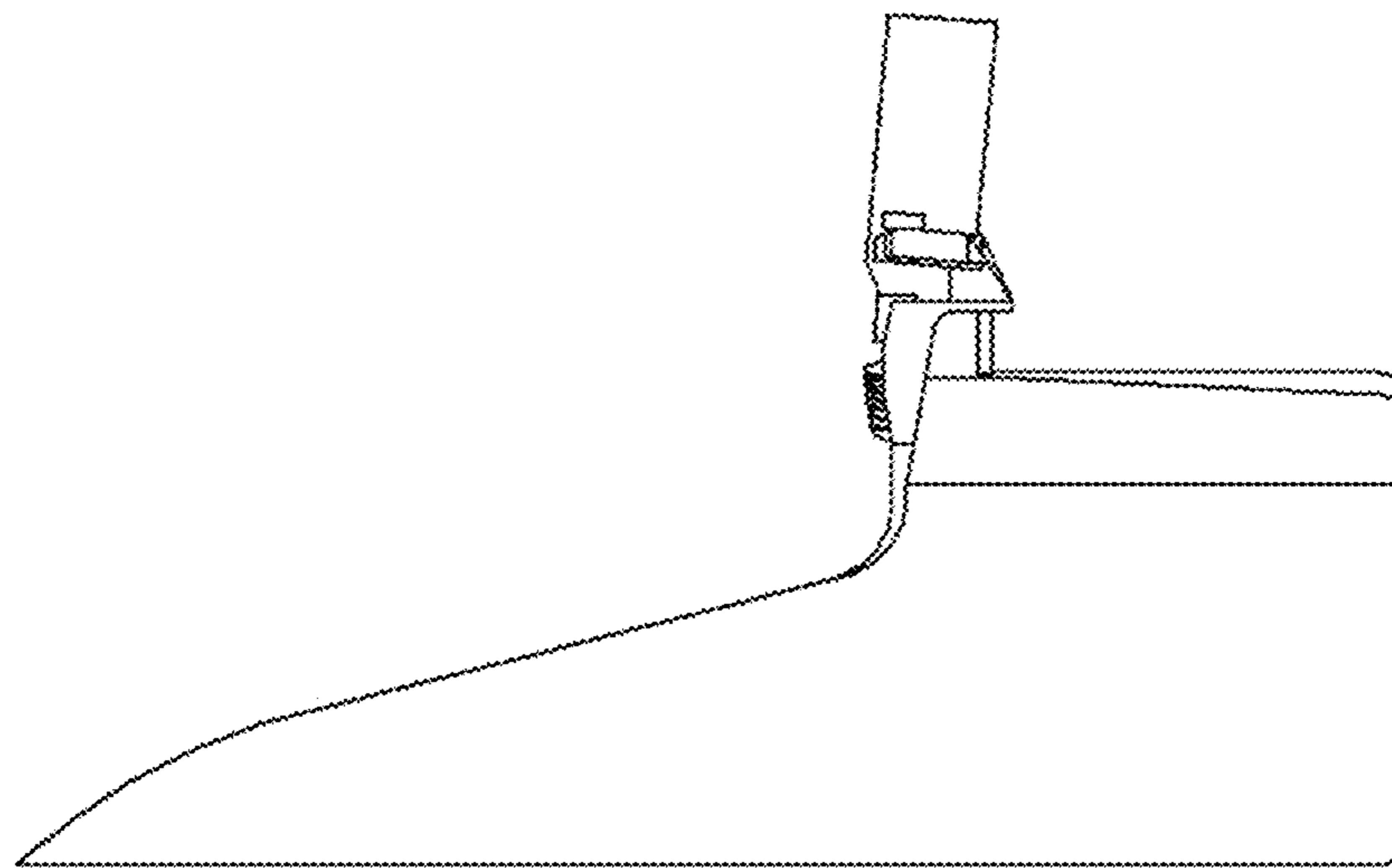


Fig. 6

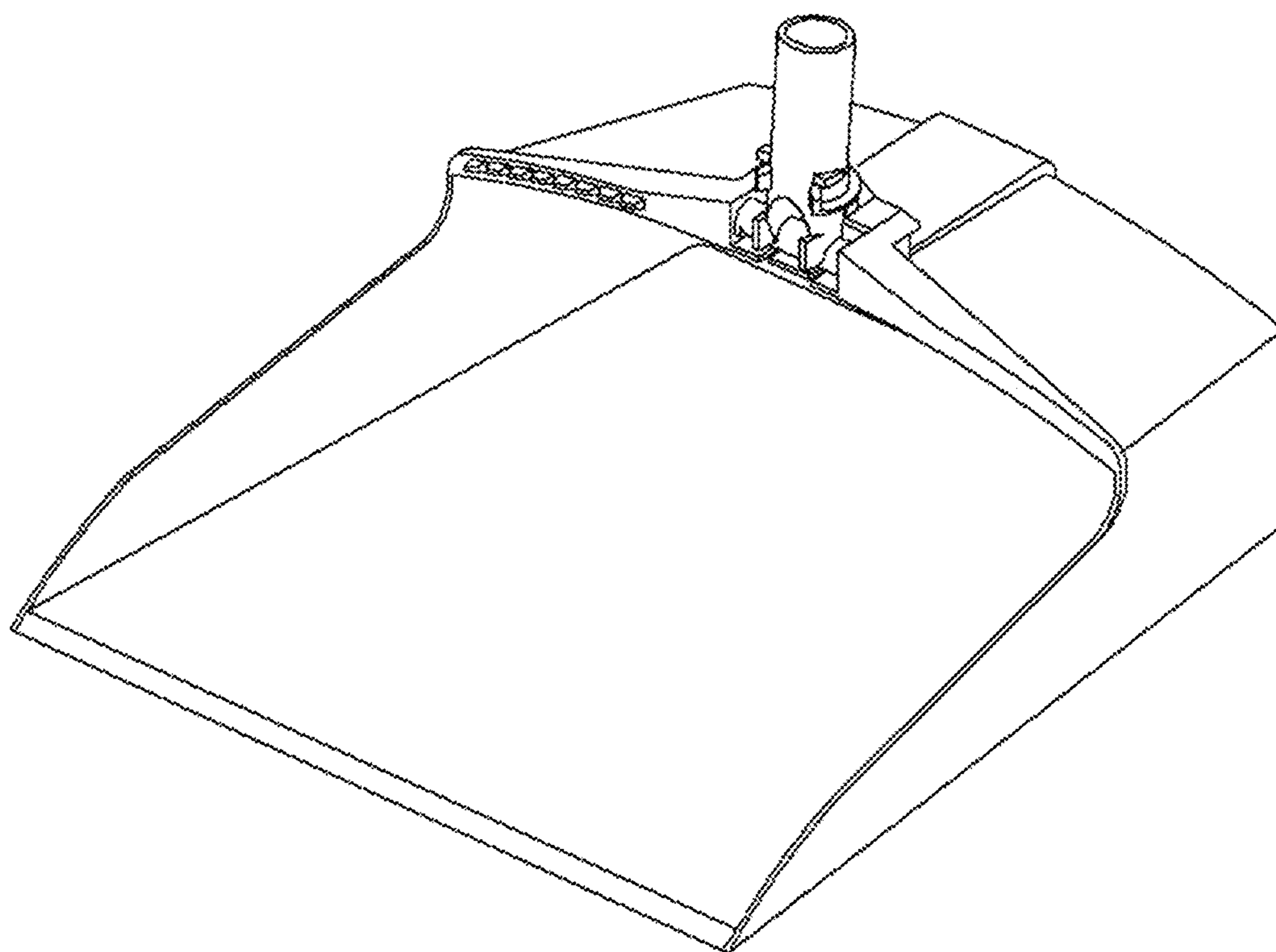


Fig. 7

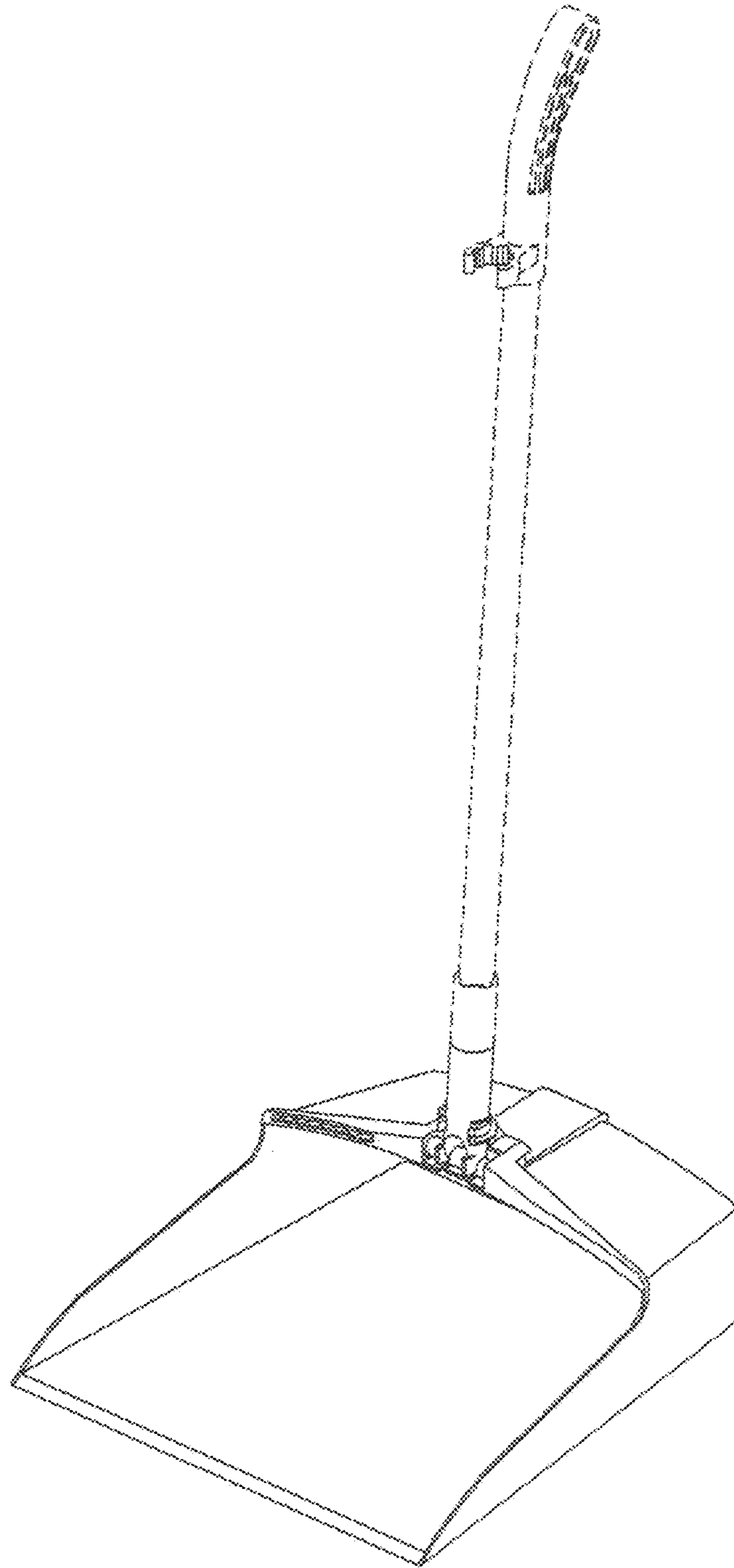


Fig. 8

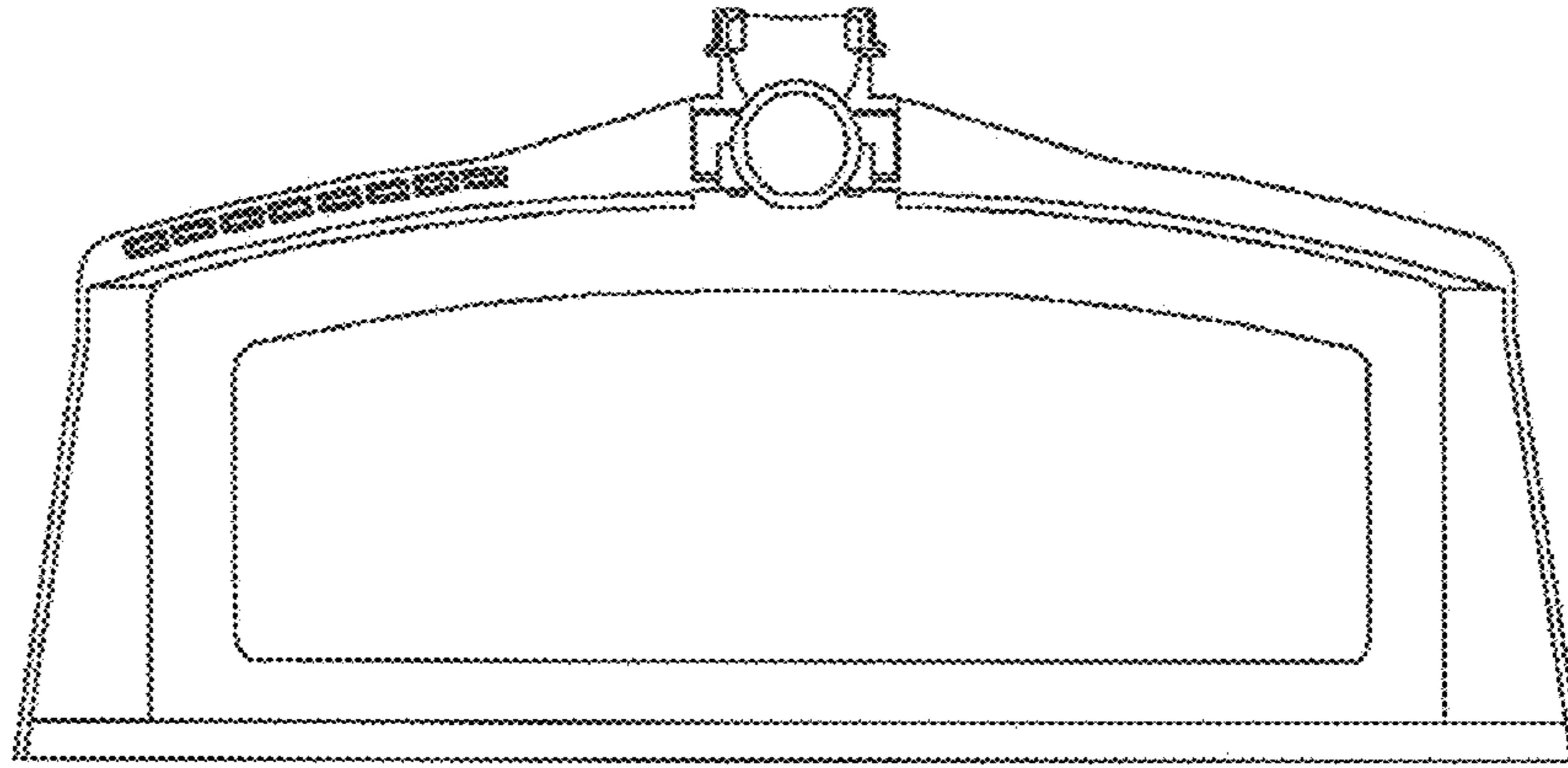


Fig. 9

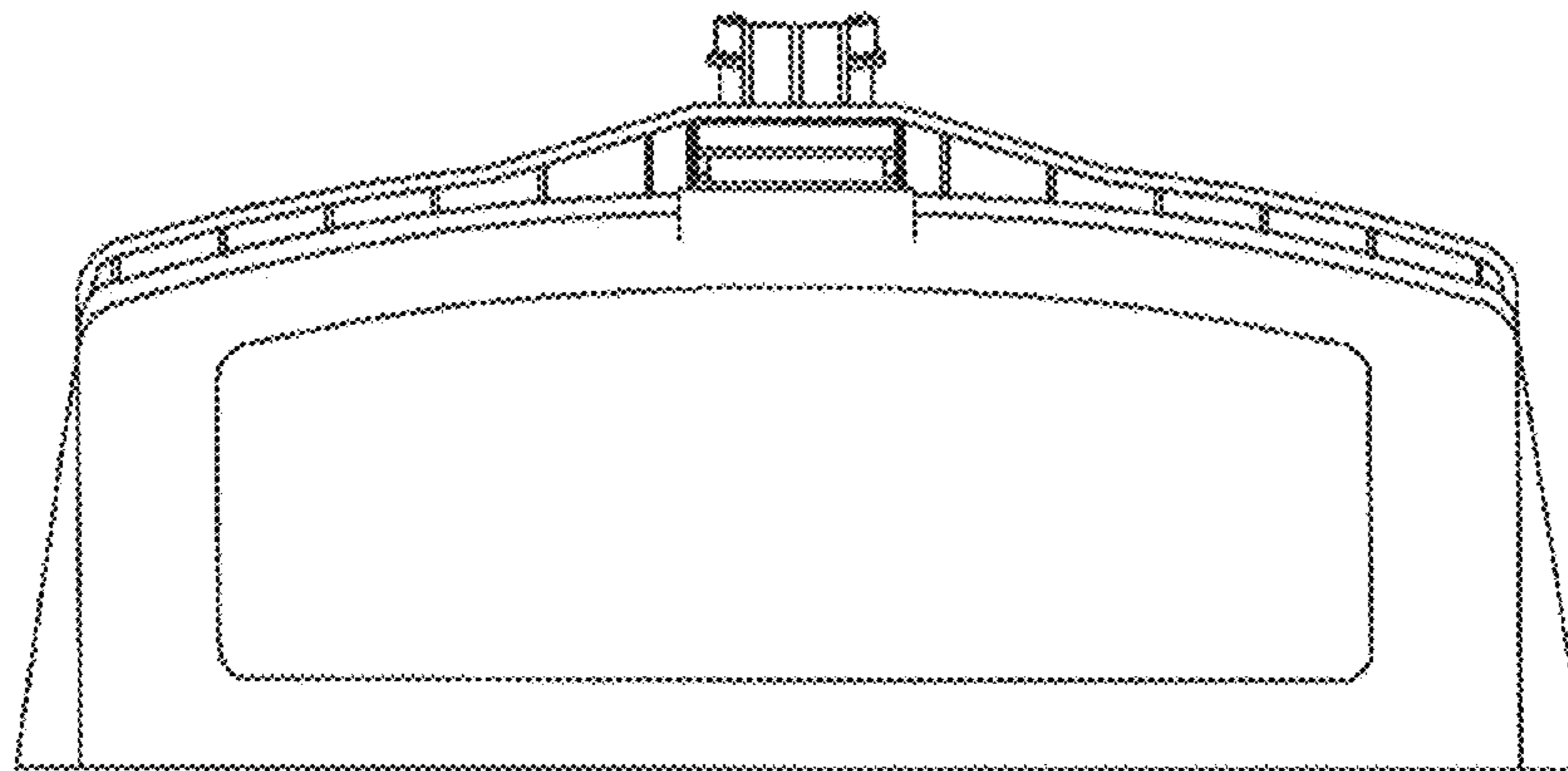


Fig. 10

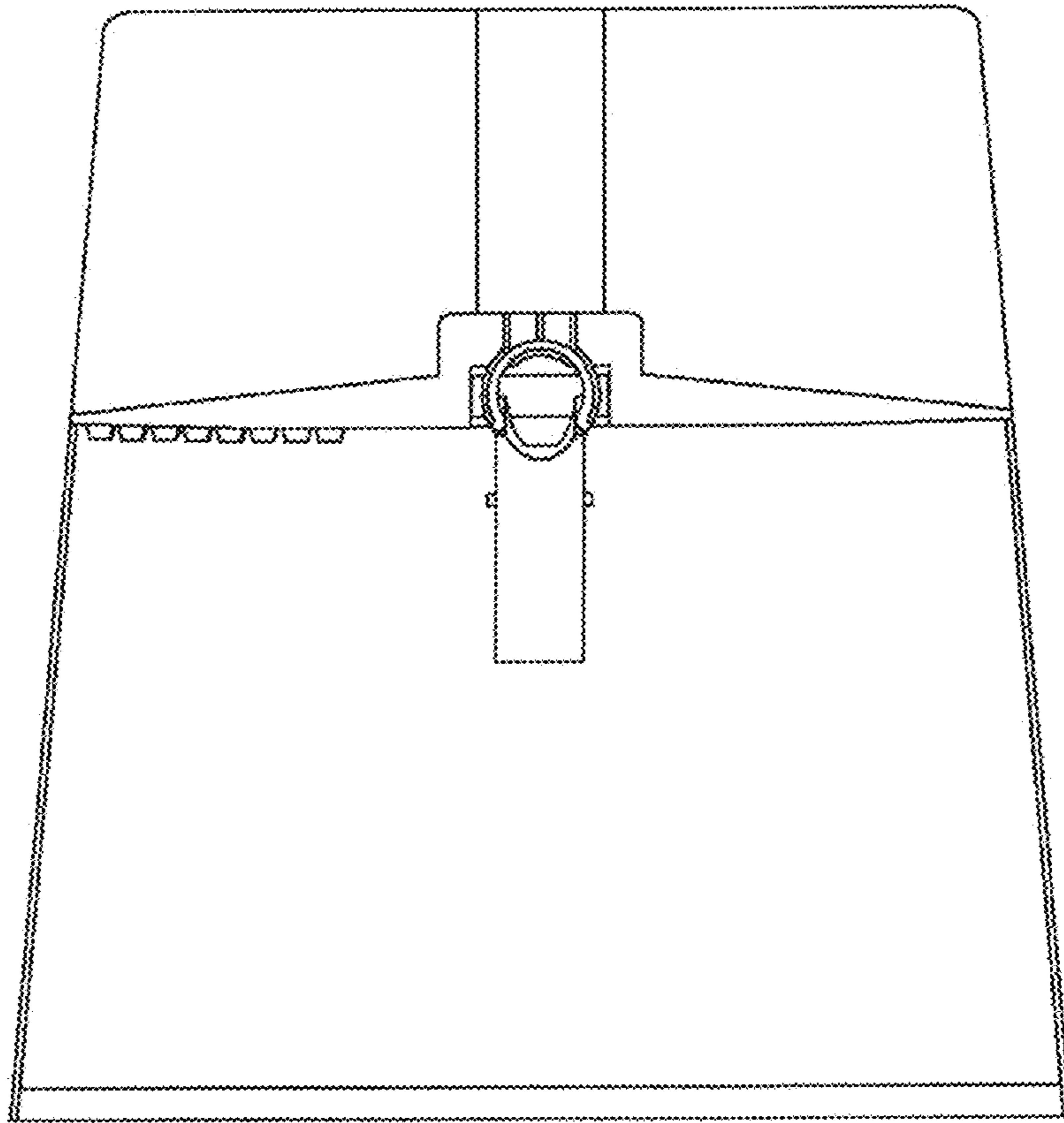


Fig. 11

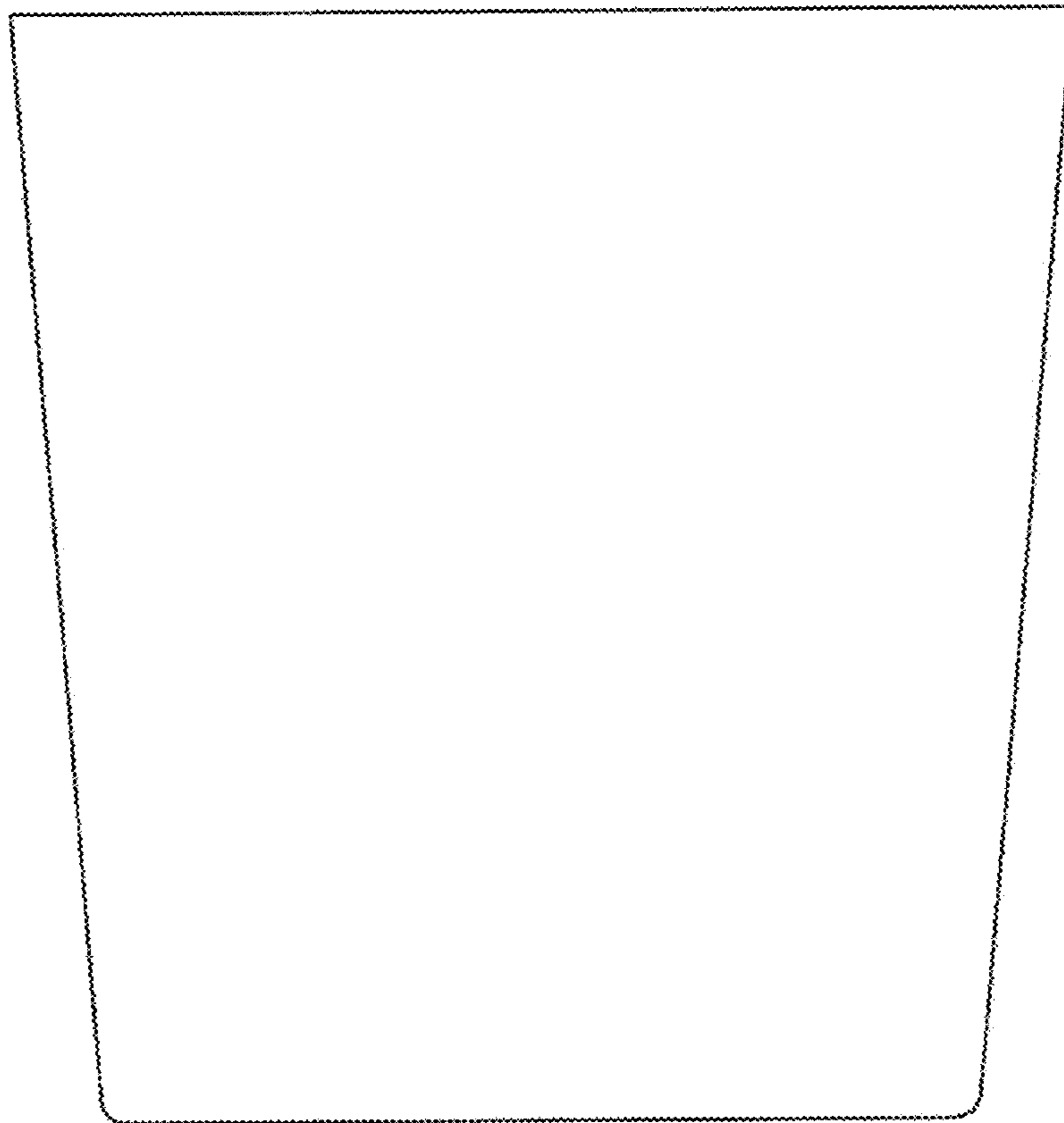


Fig. 12

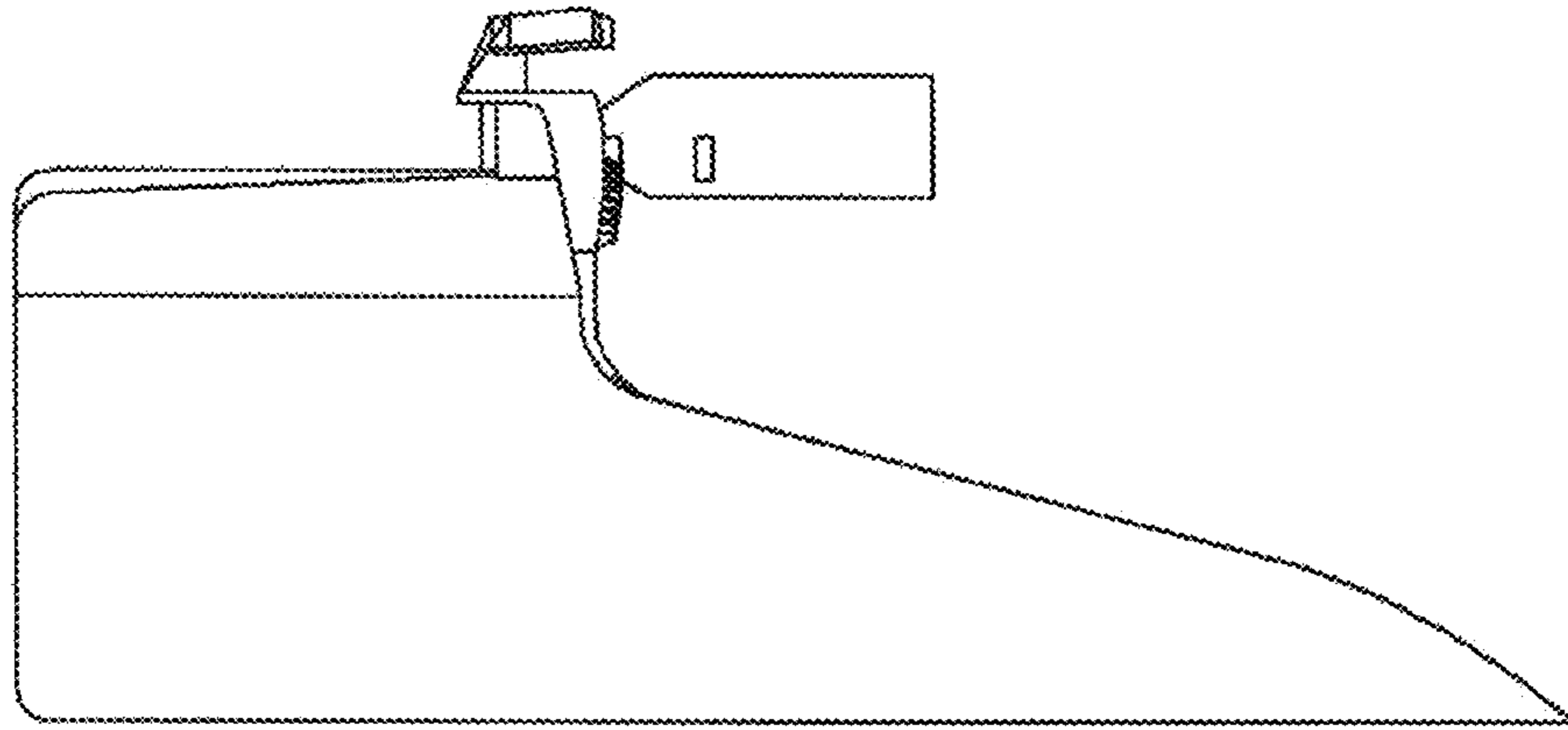


Fig. 13

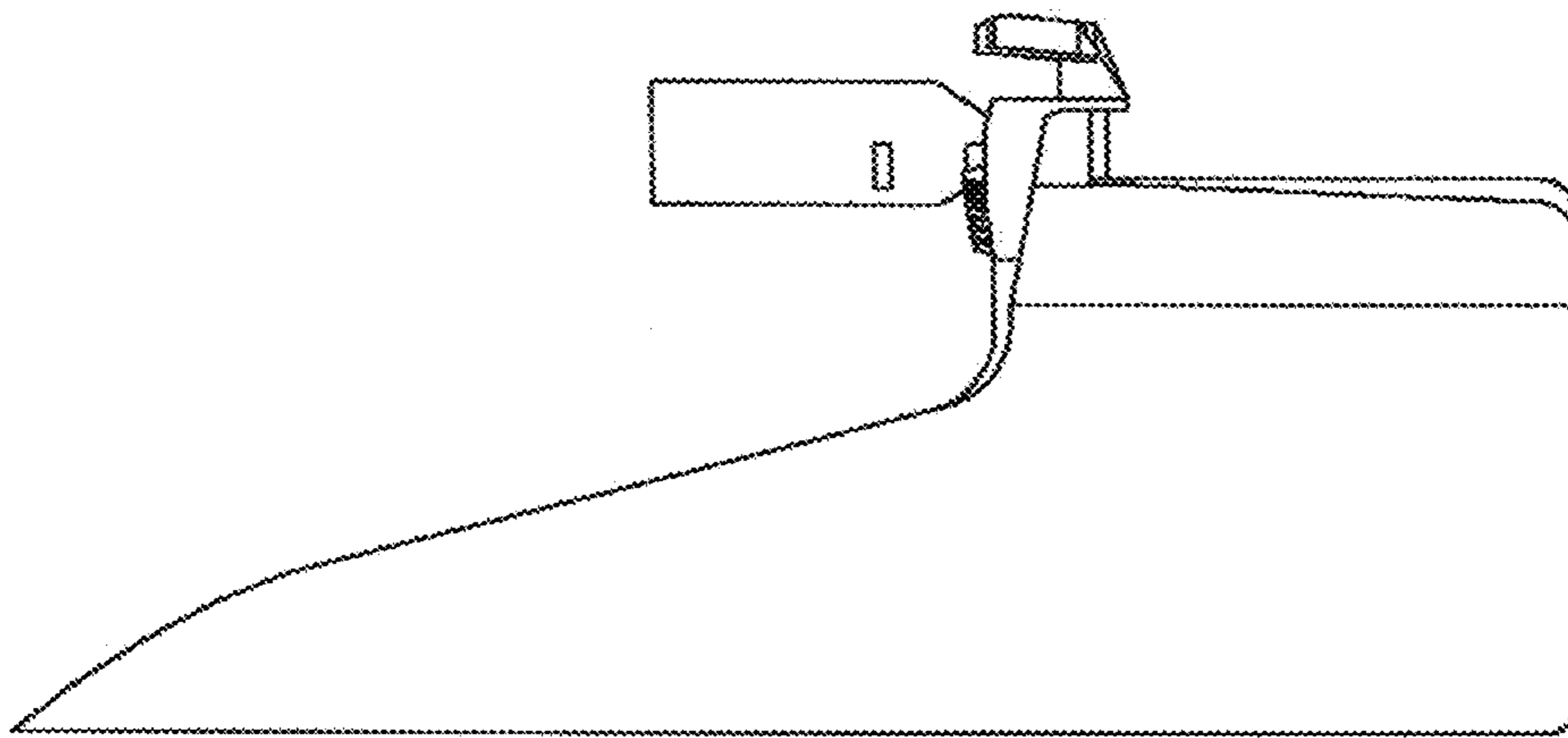


Fig. 14

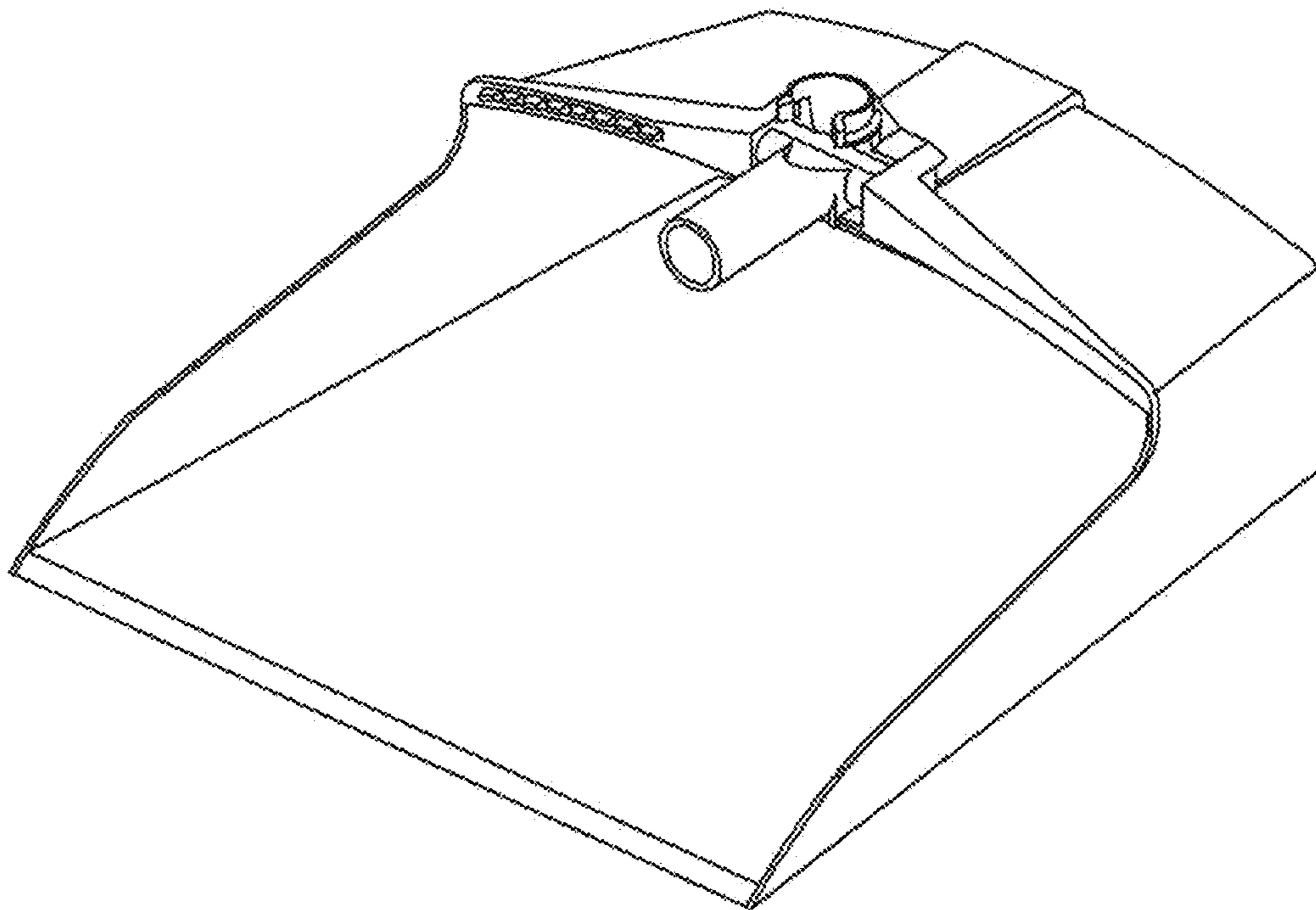


Fig. 15

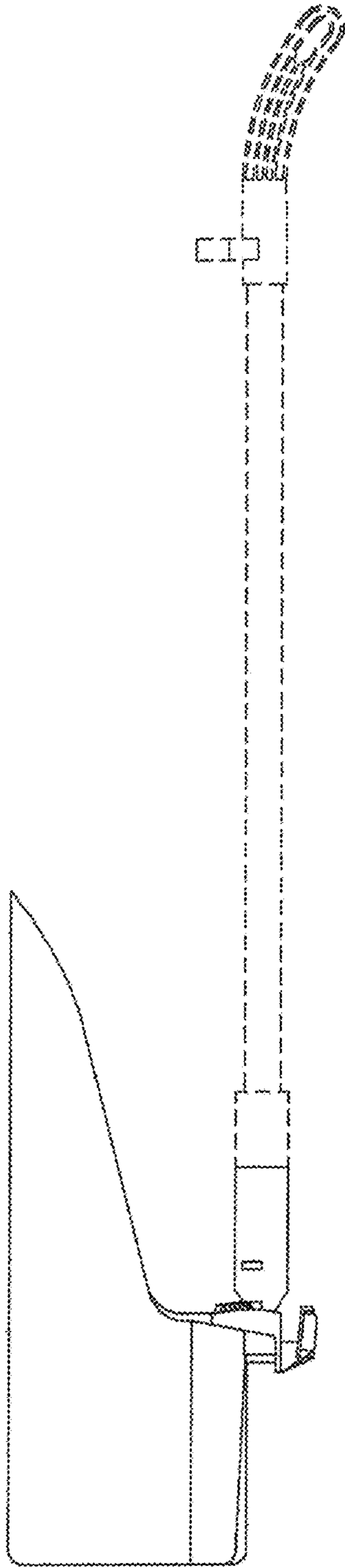


Fig. 16