



US00D925854S

(12) **United States Design Patent** (10) **Patent No.:** **US D925,854 S**
Ai (45) **Date of Patent:** **** Jul. 20, 2021**

(54) **MINI HEAT PRESS**
(71) Applicant: **HUNAN SIJIU ELECTRONIC COMMERCE CO., LTD.**, Hunan Province (CN)
(72) Inventor: **Min Ai**, Hunan Province (CN)
(73) Assignee: **HUNAN SIJIU ELECTRONIC COMMERCE CO., LTD.**, Hunan Province (CN)
(**) Term: **15 Years**

D733,381 S 6/2015 Shalvi
D747,584 S 1/2016 Orthey
9,289,960 B2* 3/2016 Robinson D06Q 1/08
D821,671 S 6/2018 Bock et al.
D835,872 S 12/2018 Smith
D838,425 S 1/2019 Ahn
D842,489 S 3/2019 Spewock et al.
D845,573 S* 4/2019 Li D32/70
D854,064 S* 7/2019 Mayer D15/144
D873,313 S* 1/2020 Galkin D15/122
D875,148 S* 2/2020 Galkin D15/146
D875,149 S* 2/2020 Galkin D15/146
D893,563 S* 8/2020 Crisp D15/122
D893,566 S* 8/2020 Chen D15/122
D910,724 S* 2/2021 Chen D15/122
2019/0184667 A1* 6/2019 Cao B30B 1/04

(21) Appl. No.: **29/758,736**
(22) Filed: **Nov. 18, 2020**
(51) **LOC (13) Cl.** **15-05**
(52) **U.S. Cl.**
USPC **D32/70; D15/146**
(58) **Field of Classification Search**
USPC D15/122, 123, 145, 146; D32/70
CPC B30B 1/04; B30B 15/04; B30B 15/18;
B30B 15/048; B30B 15/064; B30B
15/287; B30B 15/0094; B32B 37/06;
B32B 37/0053; B32B 2309/02; B41F
16/00; B41F 16/02; B41F 16/026
See application file for complete search history.

* cited by examiner

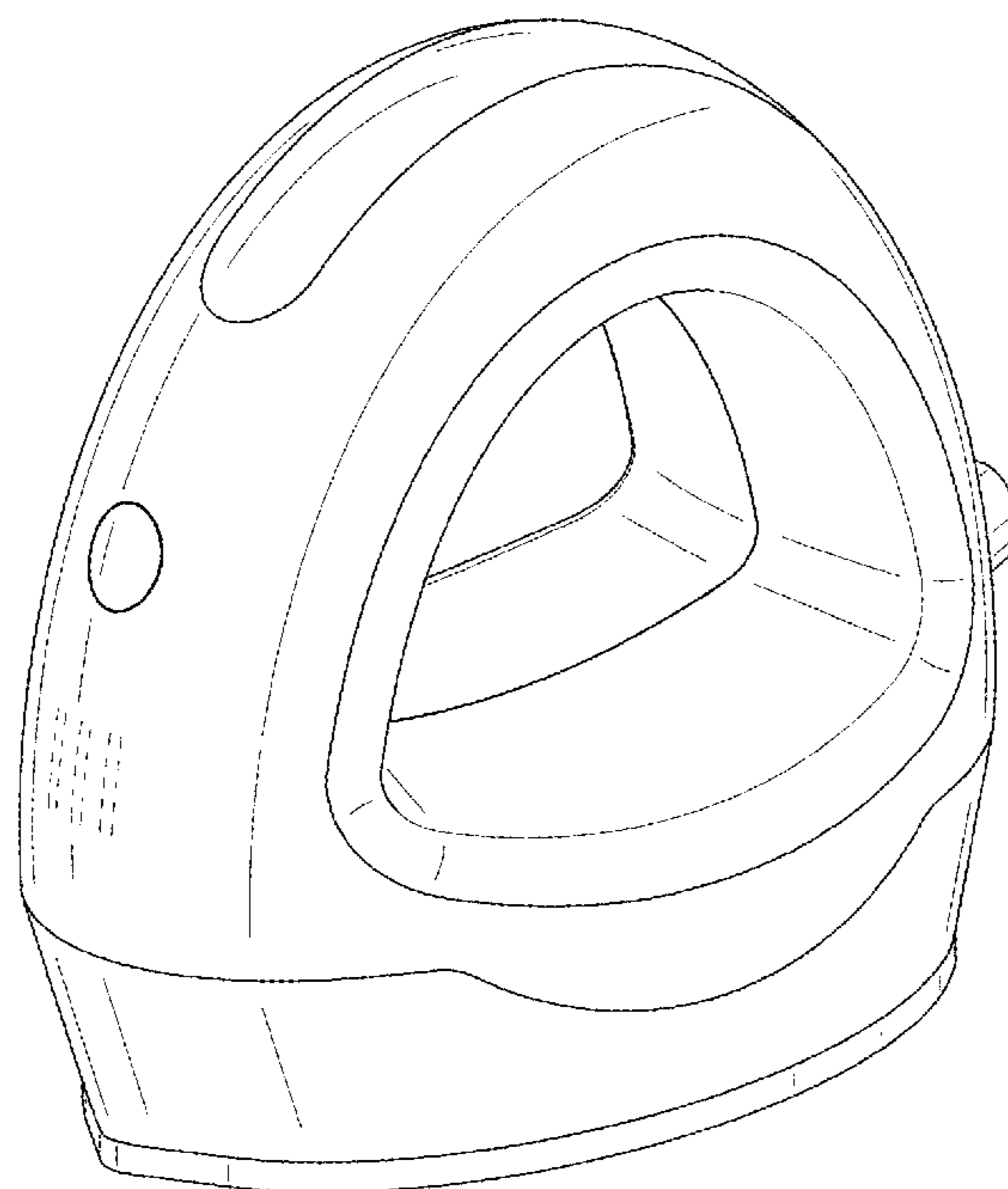
Primary Examiner — Patricia A Palasik
(74) *Attorney, Agent, or Firm* — Law Offices of Steven W. Weinrieb

(56) **References Cited**
U.S. PATENT DOCUMENTS
D293,952 S* 1/1988 Hsu D32/69
6,151,814 A* 11/2000 Raio D06F 71/026
38/30
D608,068 S 1/2010 Choi
8,418,739 B2* 4/2013 Robinson B30B 15/047
156/358
D728,885 S* 5/2015 Dierker D32/70

(57) **CLAIM**
The ornamental design for a mini heat press, as shown and described.

DESCRIPTION
FIG. 1 is a front, left side, top perspective view of a mini heat press showing my new design;
FIG. 2 is a front elevational view thereof;
FIG. 3 is a rear elevational view thereof;
FIG. 4 is a left side elevational view thereof;
FIG. 5 is a right side elevational view thereof;
FIG. 6 is a top plan view thereof; and,
FIG. 7 is a bottom plan view thereof.
The broken lines depict portions of the mini heat press that form no part of the claimed design.

1 Claim, 7 Drawing Sheets



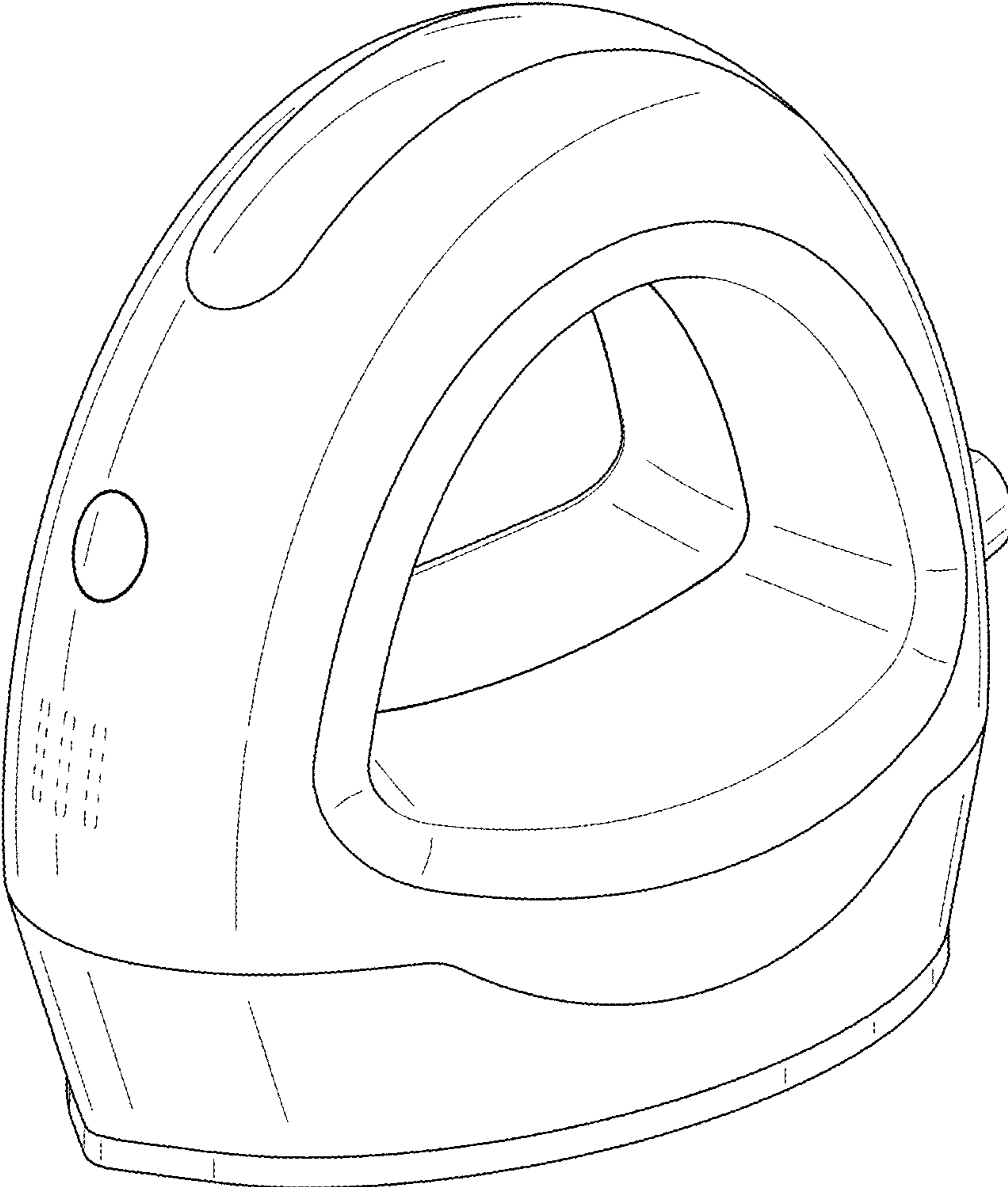


FIG.1

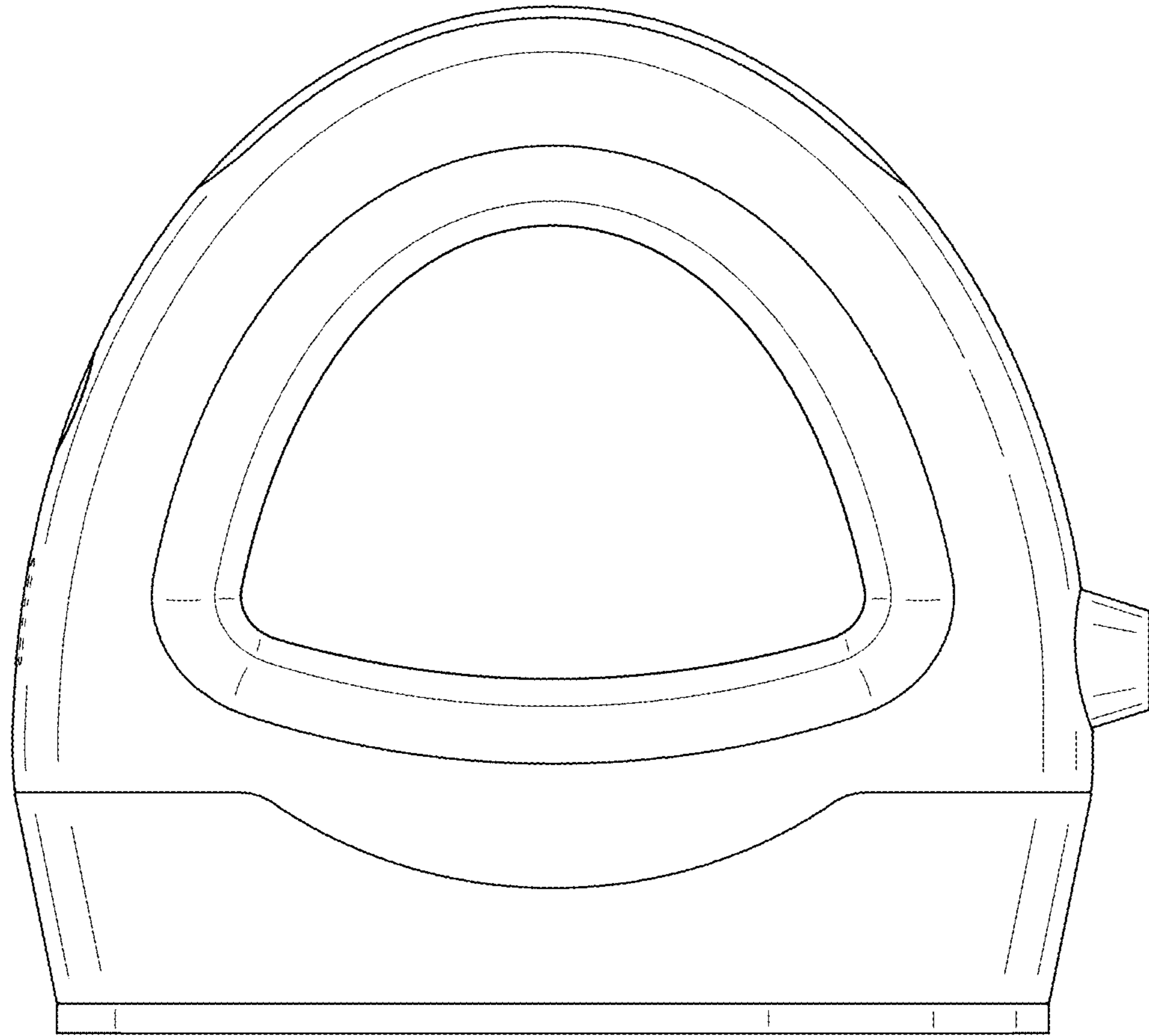


FIG.2

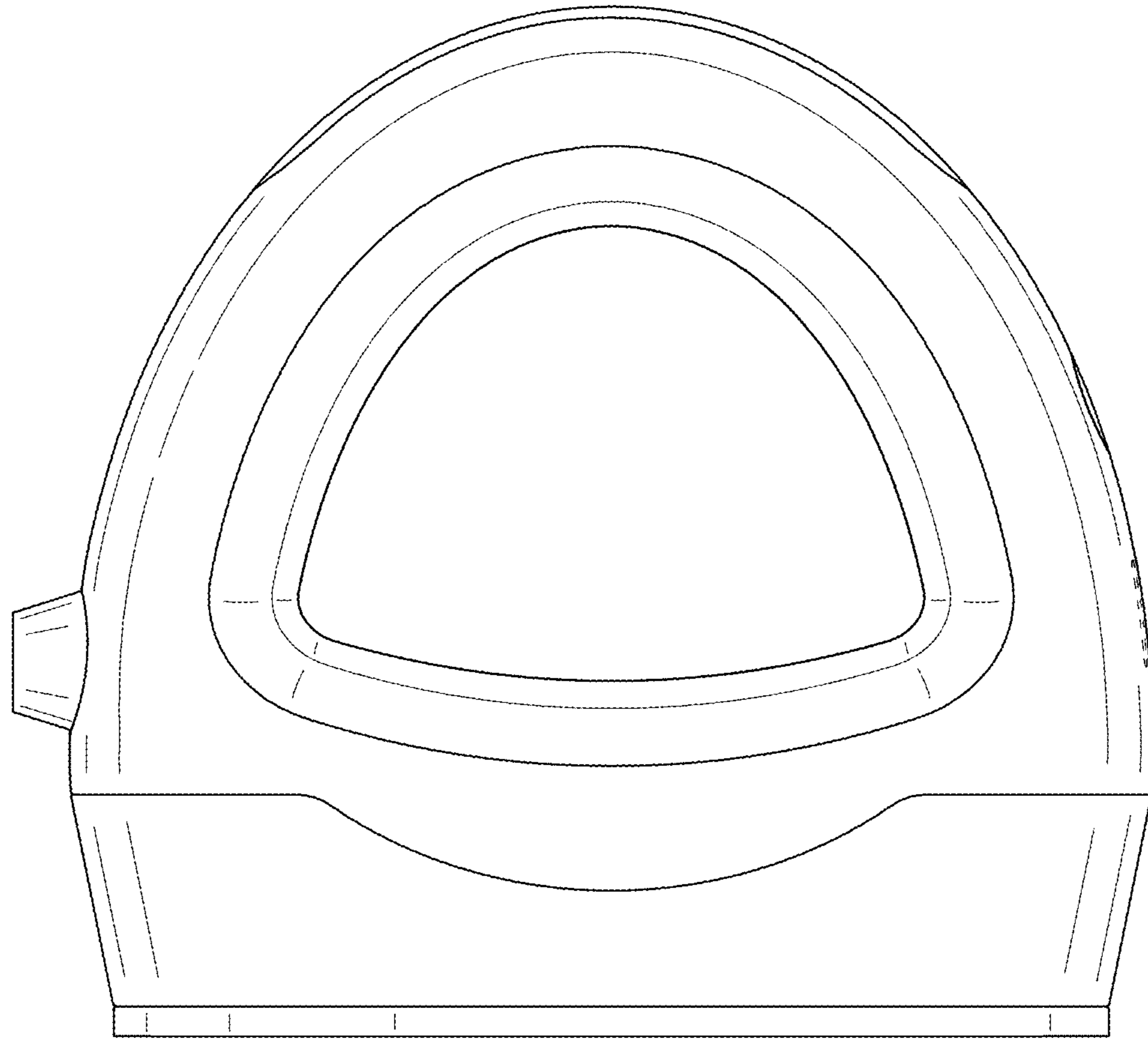


FIG.3

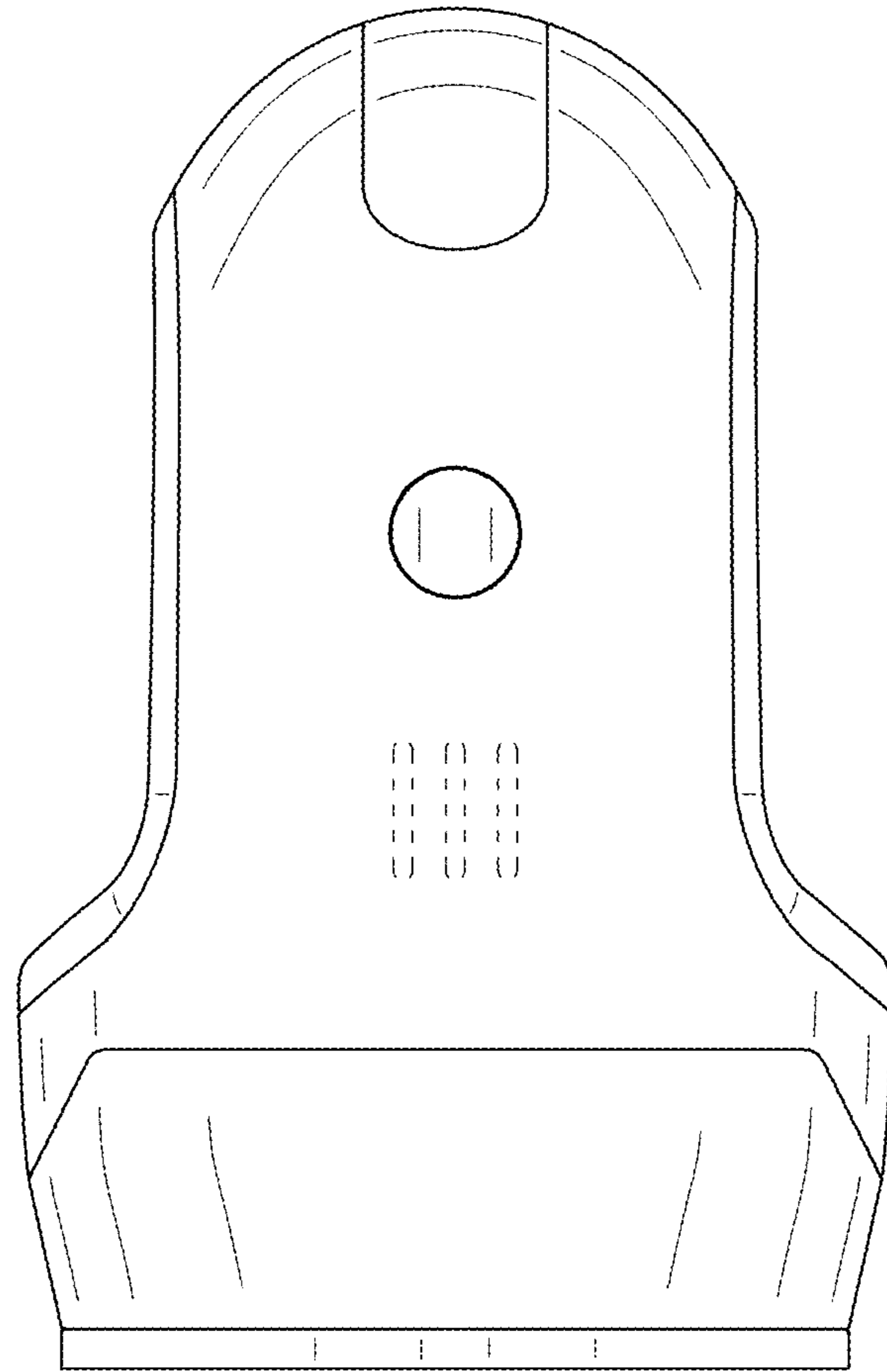


FIG. 4

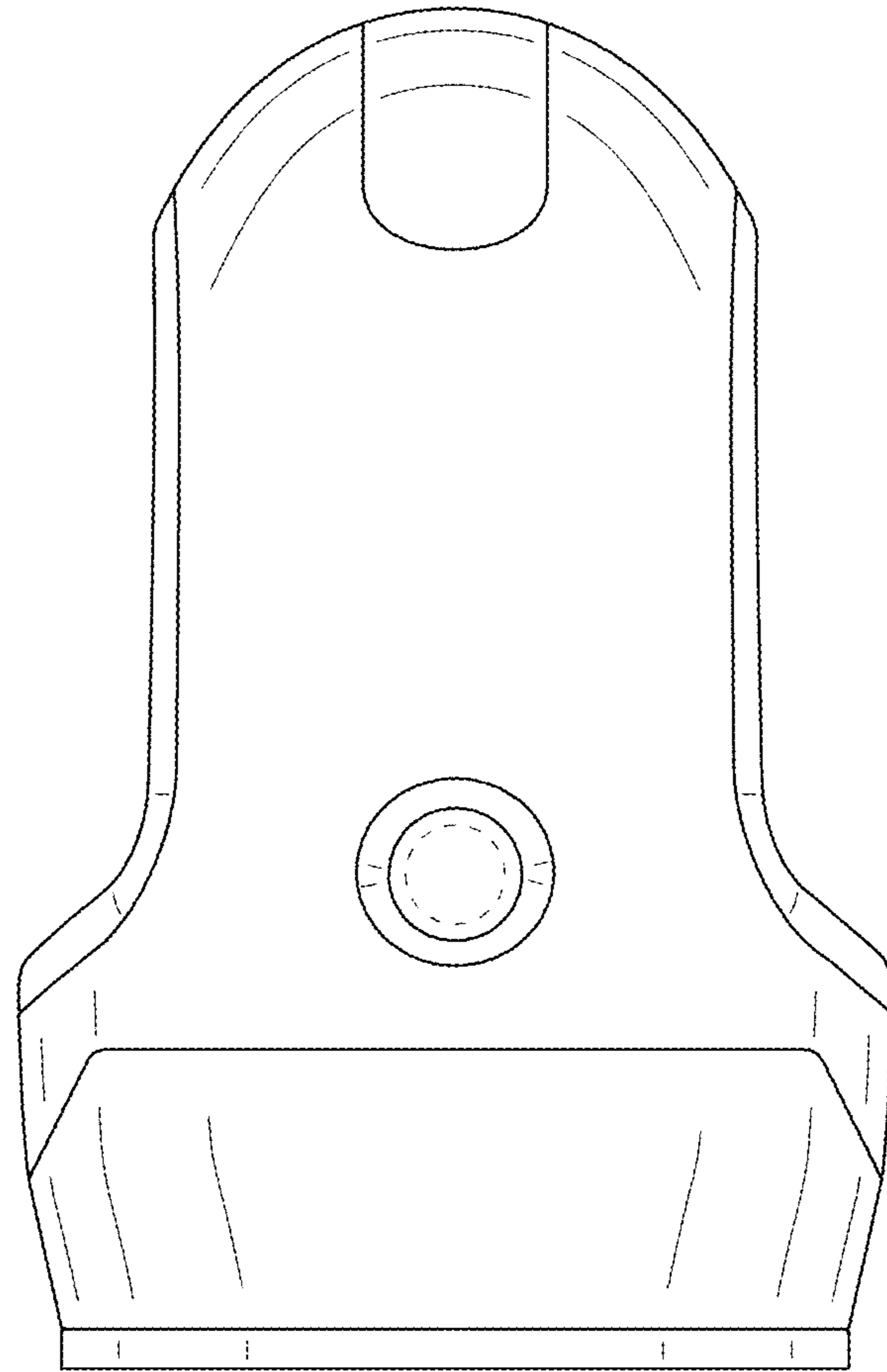


FIG.5

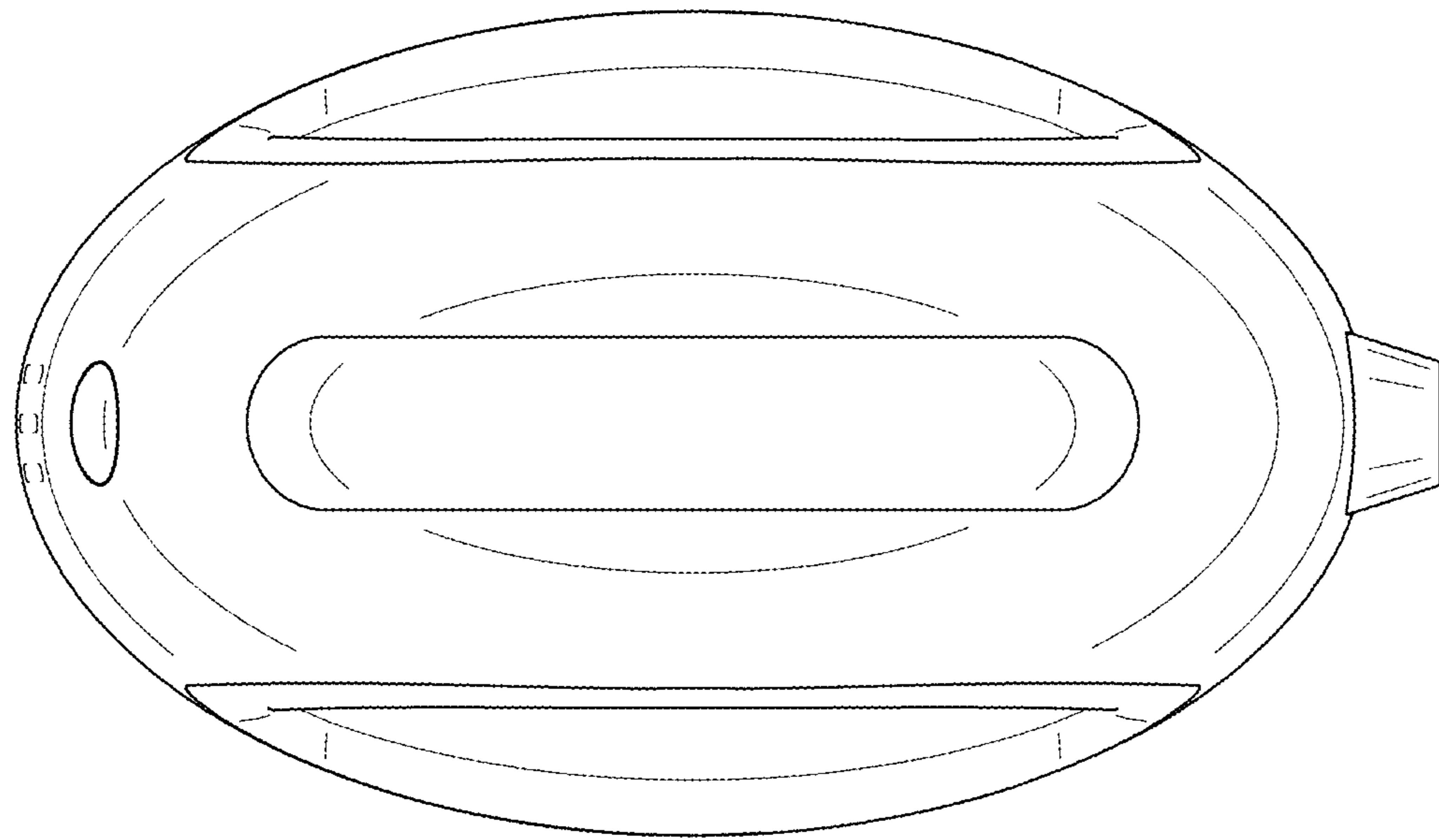


FIG.6

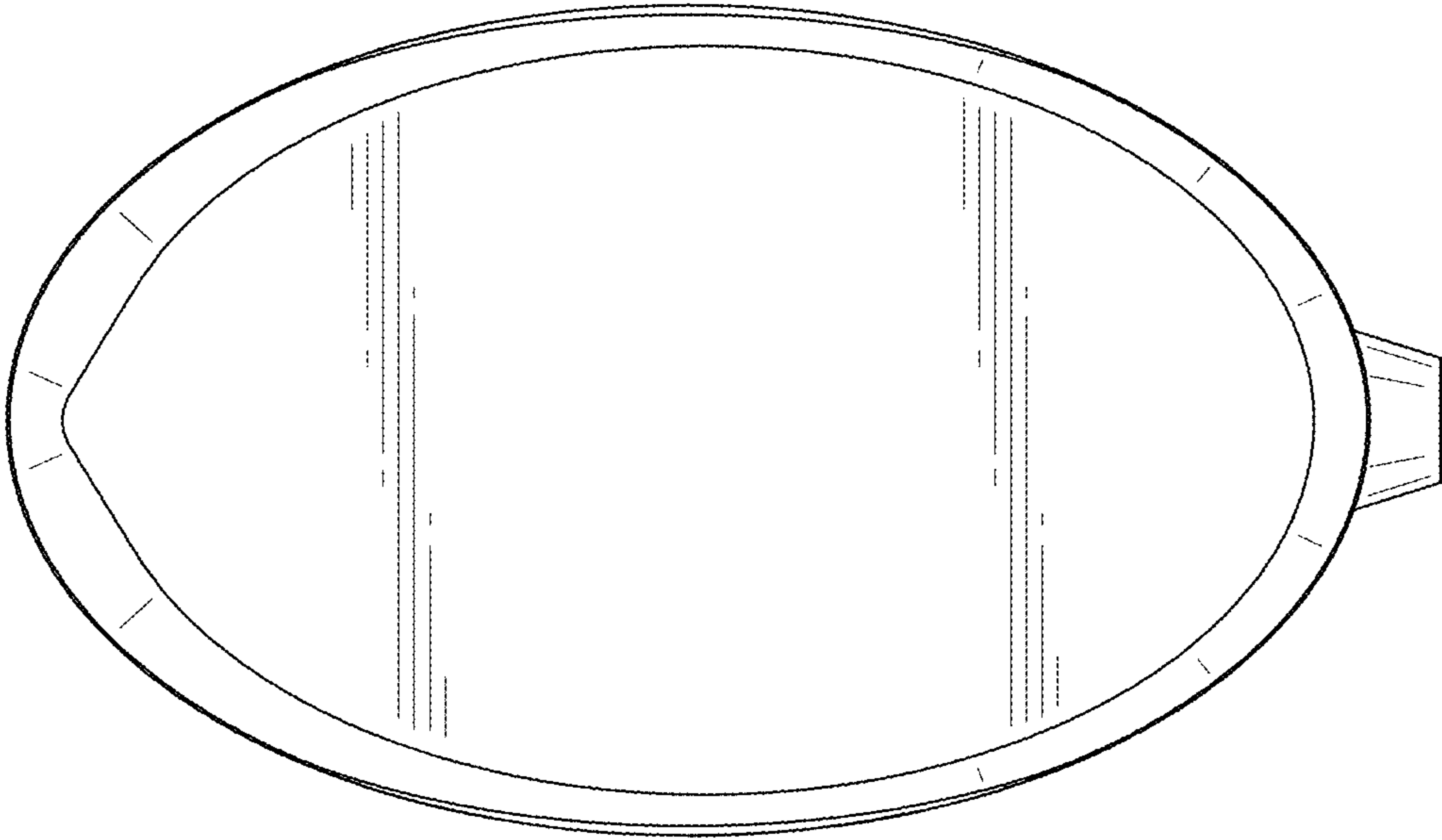


FIG.7