



US00D925853S

(12) **United States Design Patent**  
**Ediger et al.**

(10) **Patent No.:** **US D925,853 S**

(45) **Date of Patent:** **\*\* Jul. 20, 2021**

(54) **FABRIC IRON**

(71) Applicant: **VORNADO AIR, LLC**, Andover, KS (US)

(72) Inventors: **Glen Wesley Ediger**, North Newton, KS (US); **Brian Cartwright**, Wichita, KS (US)

(73) Assignee: **Vornado Air, LLC**, Andover, KS (US)

(\*\*) Term: **15 Years**

(21) Appl. No.: **29/722,816**

(22) Filed: **Jan. 31, 2020**

(51) **LOC (13) Cl.** ..... **07-05**

(52) **U.S. Cl.**  
USPC ..... **D32/70**

(58) **Field of Classification Search**  
USPC ..... D32/71, 73, 72, 70, 69, 68, 35; D8/71, D8/373, 349, 396, 30; D15/144, 144.2; D28/73; 219/231, 242, 229; 165/80.1; 126/414  
CPC ..... D06F 75/34; D06F 75/08; D06F 75/38; D06F 75/00; F22B 27/14; B08B 3/006  
See application file for complete search history.

(56) **References Cited**

**U.S. PATENT DOCUMENTS**

D279,416 S \* 6/1985 Chan ..... D32/69  
D371,877 S \* 7/1996 Wai ..... D32/69  
6,172,335 B1 \* 1/2001 Goodrich ..... B29C 65/18  
219/251

D443,962 S \* 6/2001 Cahen ..... D32/68  
D466,260 S \* 11/2002 Wu ..... D32/69  
D568,017 S \* 4/2008 Choi ..... D32/35  
D594,617 S \* 6/2009 Yeung ..... D32/69  
D733,381 S \* 6/2015 Shalvi ..... D32/70  
D841,912 S \* 2/2019 Renner ..... D32/40  
D845,573 S \* 4/2019 Li ..... D32/70

\* cited by examiner

*Primary Examiner* — Austin Murphy

(74) *Attorney, Agent, or Firm* — Avyno Law P.C.

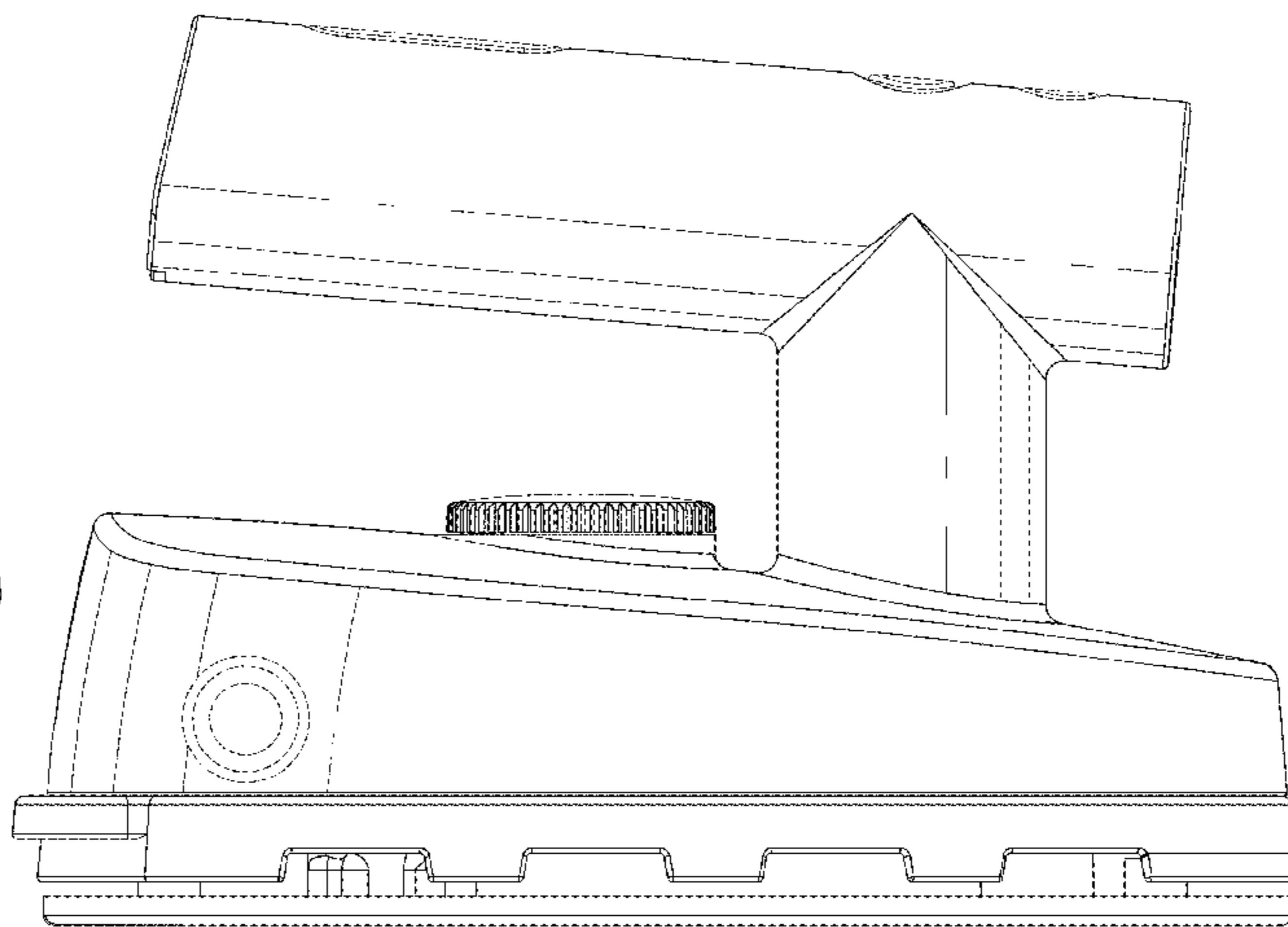
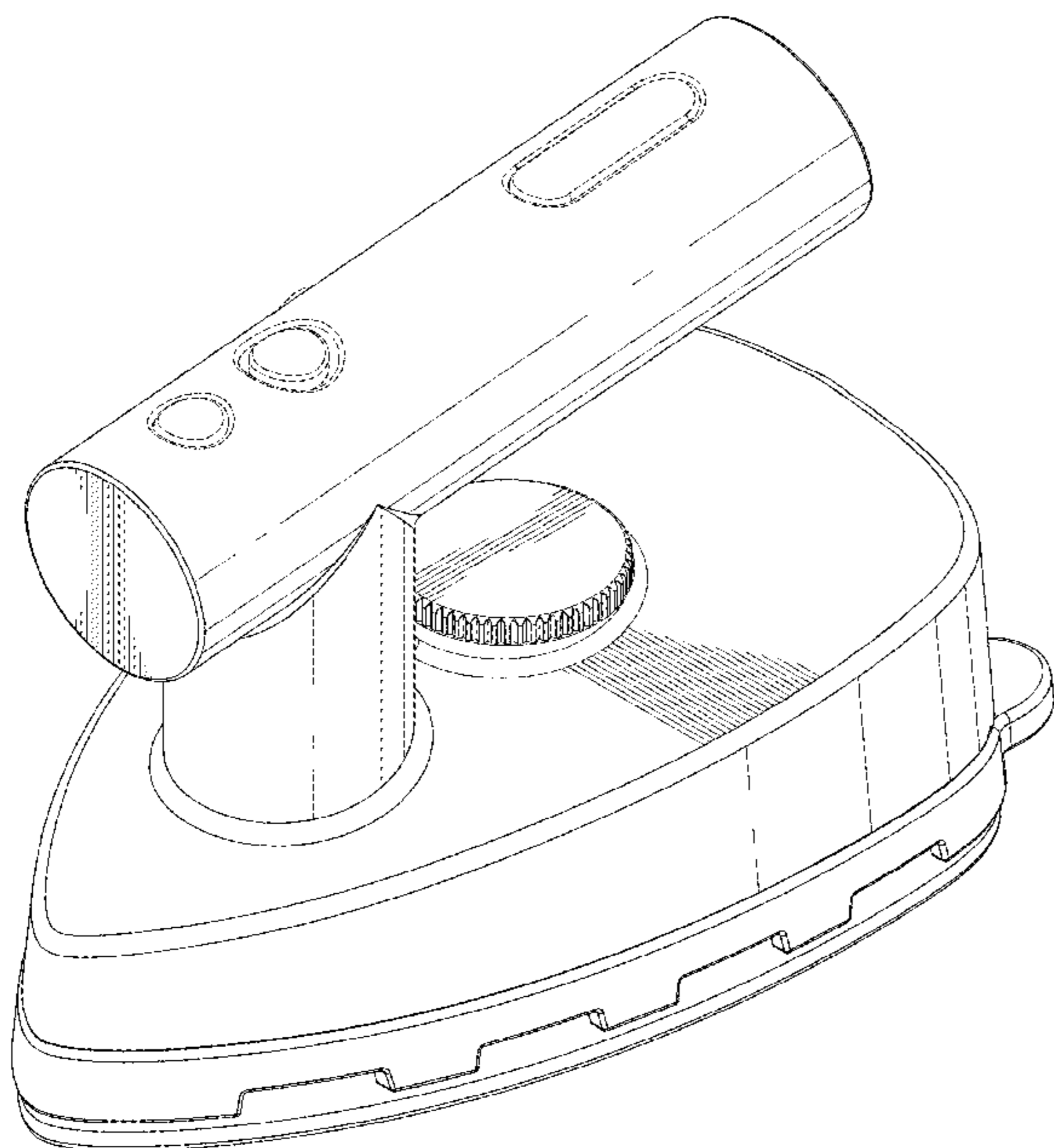
(57) **CLAIM**

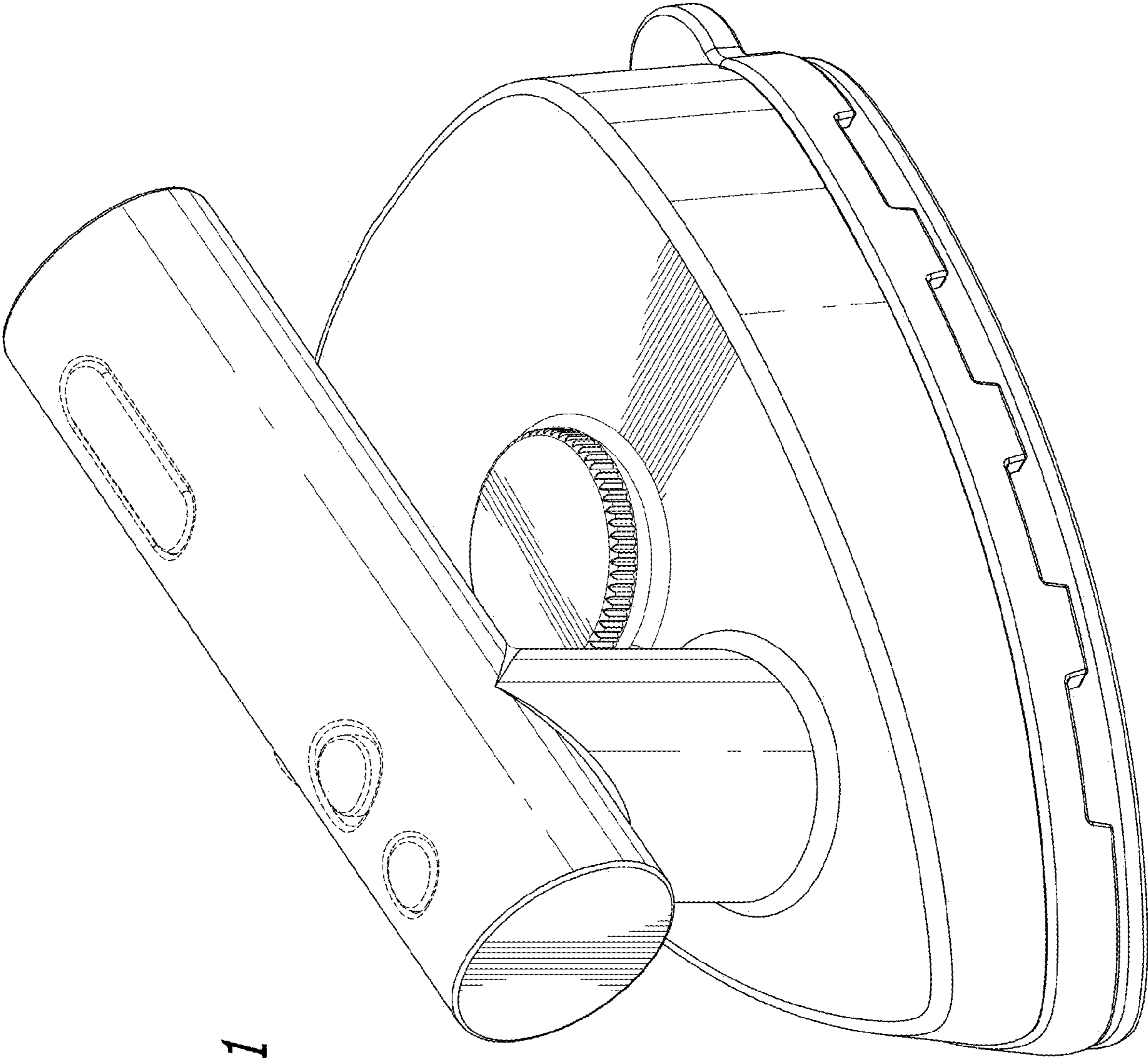
We claim the ornamental design for a fabric iron, as shown and described.

**DESCRIPTION**

FIG. 1 is a front perspective view of a fabric iron of the present invention.  
FIG. 2 is a bottom perspective view of a fabric iron of the present invention.  
FIG. 3 is a side elevation view of the left side of the fabric iron of FIG. 1.  
FIG. 4 is a side elevation view of the right side of the fabric iron of FIG. 1.  
FIG. 5 is a front elevation view of the fabric iron of FIG. 1.  
FIG. 6 is a rear elevation view of the fabric iron of FIG. 1.  
FIG. 7 is a top plan view of the fabric iron of FIG. 1; and, FIG. 8 is a bottom plan view of the fabric iron of FIG. 1.  
In the drawings, the broken lines depict portions of the fabric iron that form no part of the claimed design.

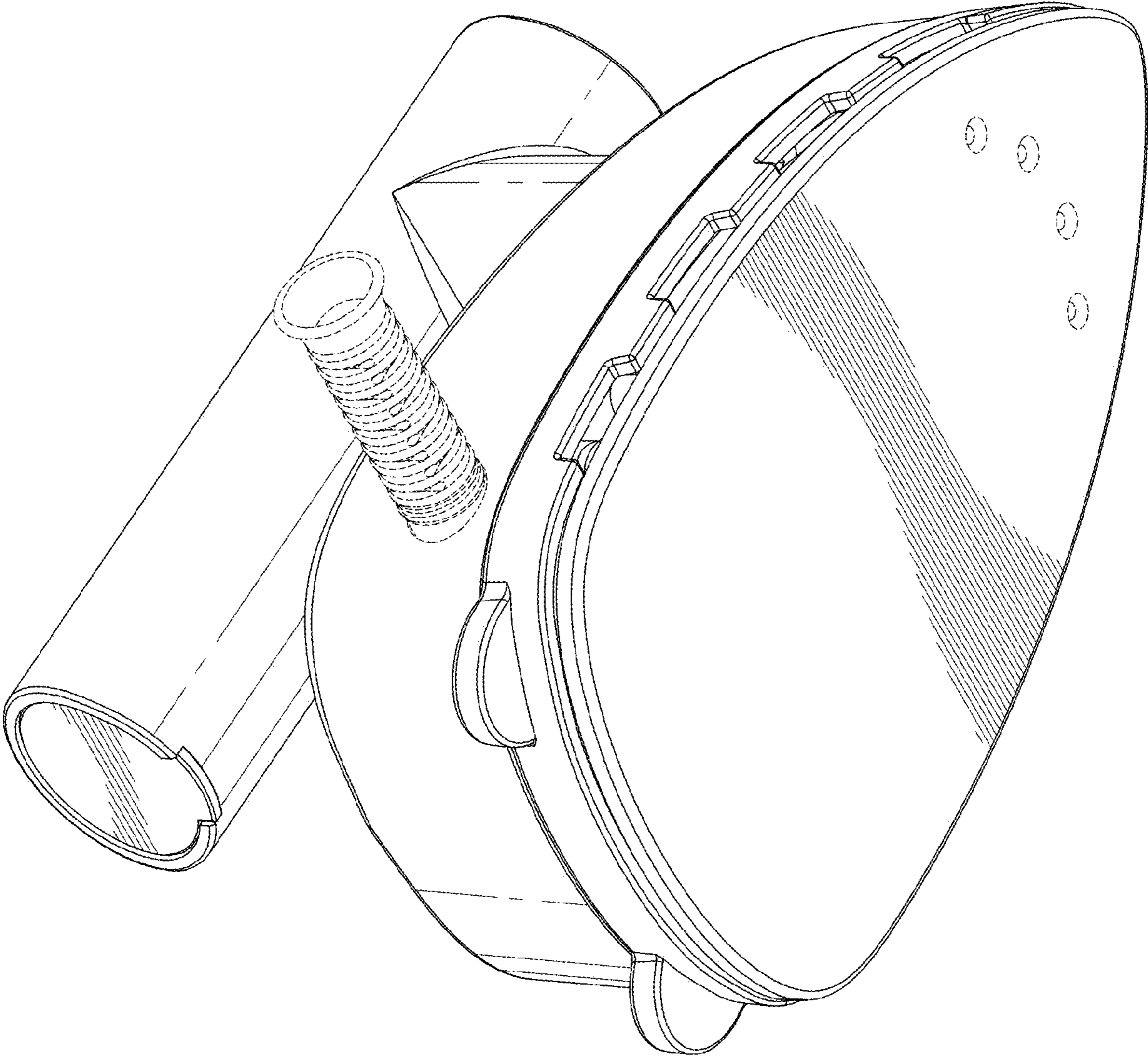
**1 Claim, 8 Drawing Sheets**





*FIG. 1*

FIG. 2



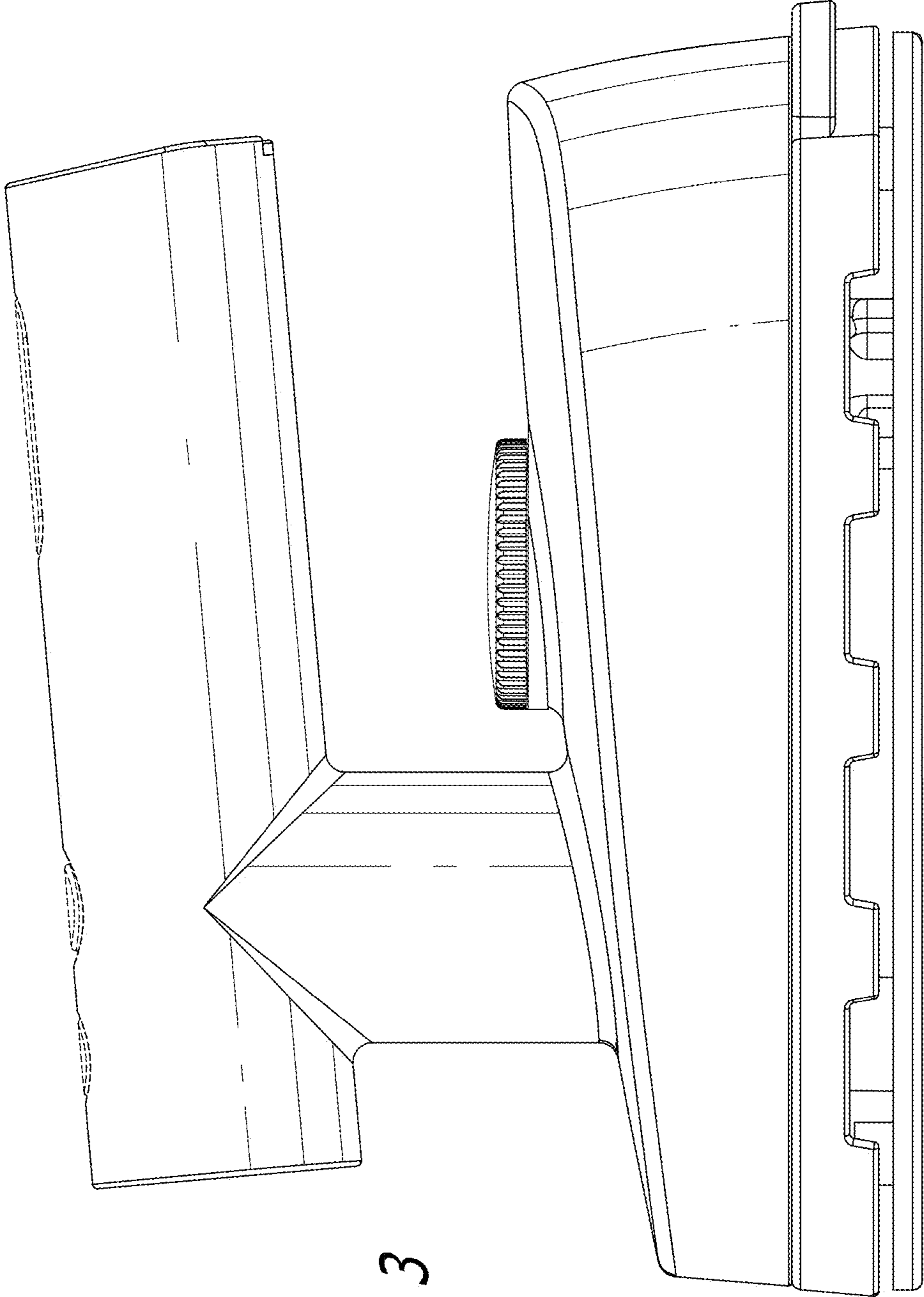
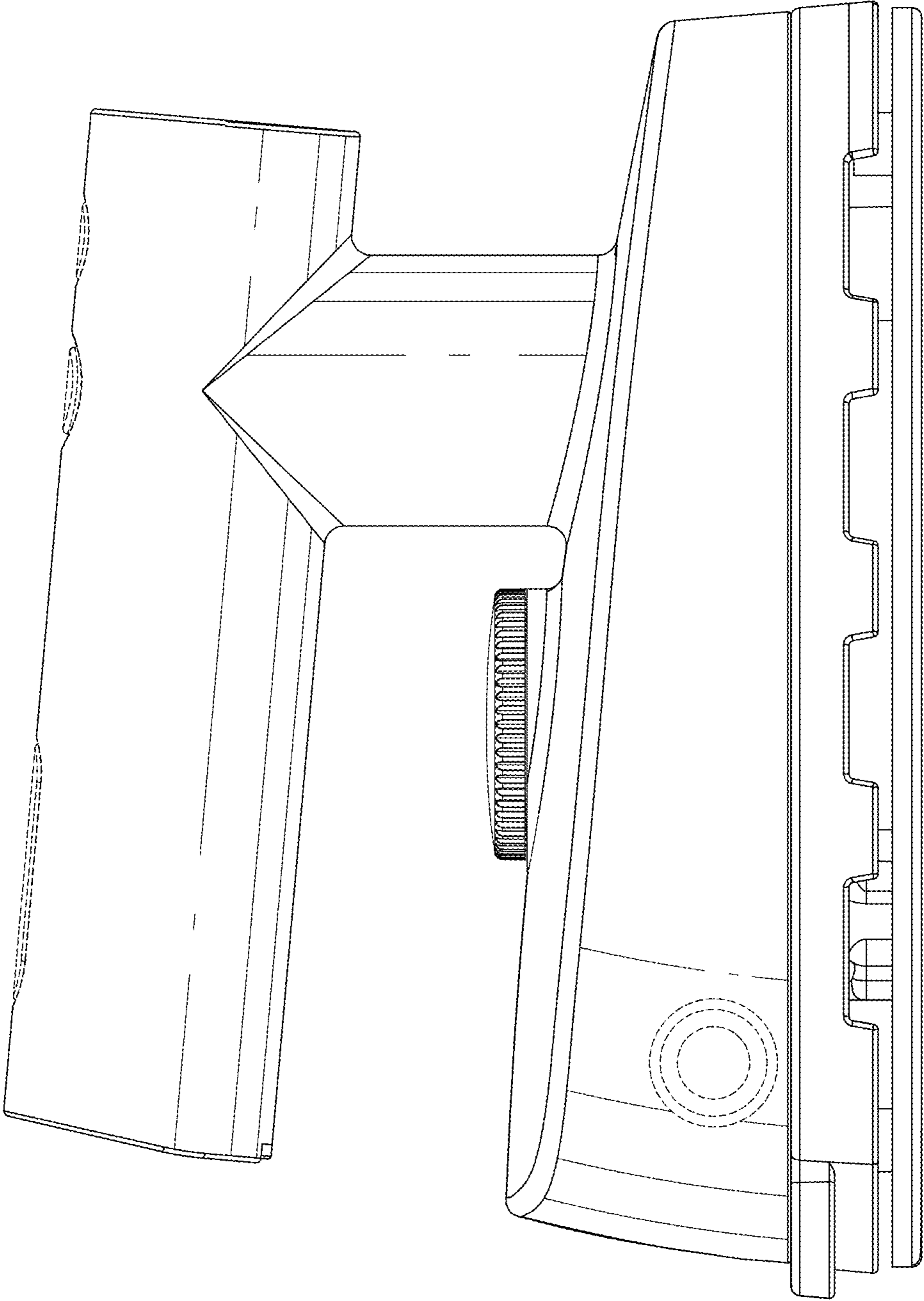


FIG. 3

FIG. 4



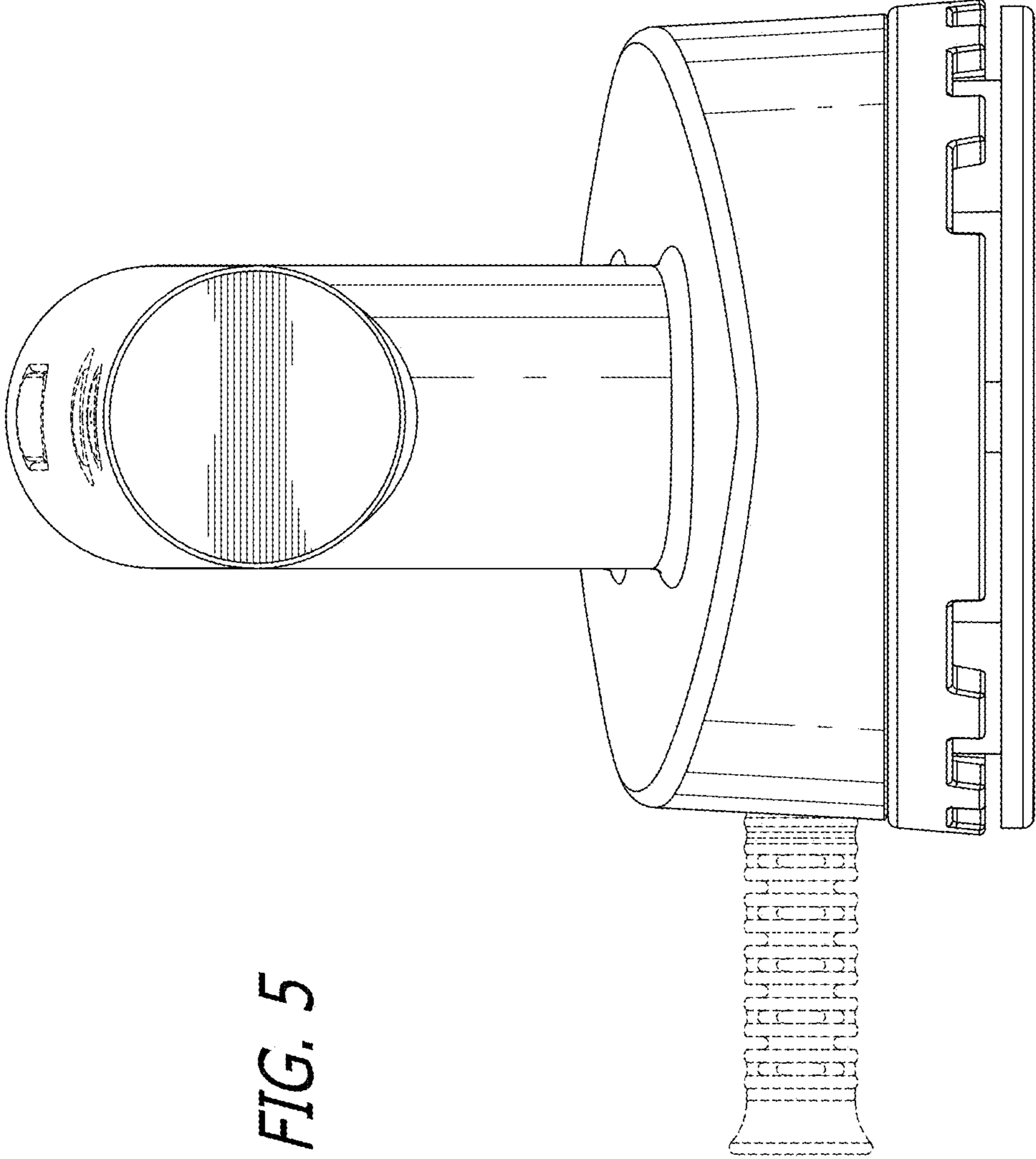
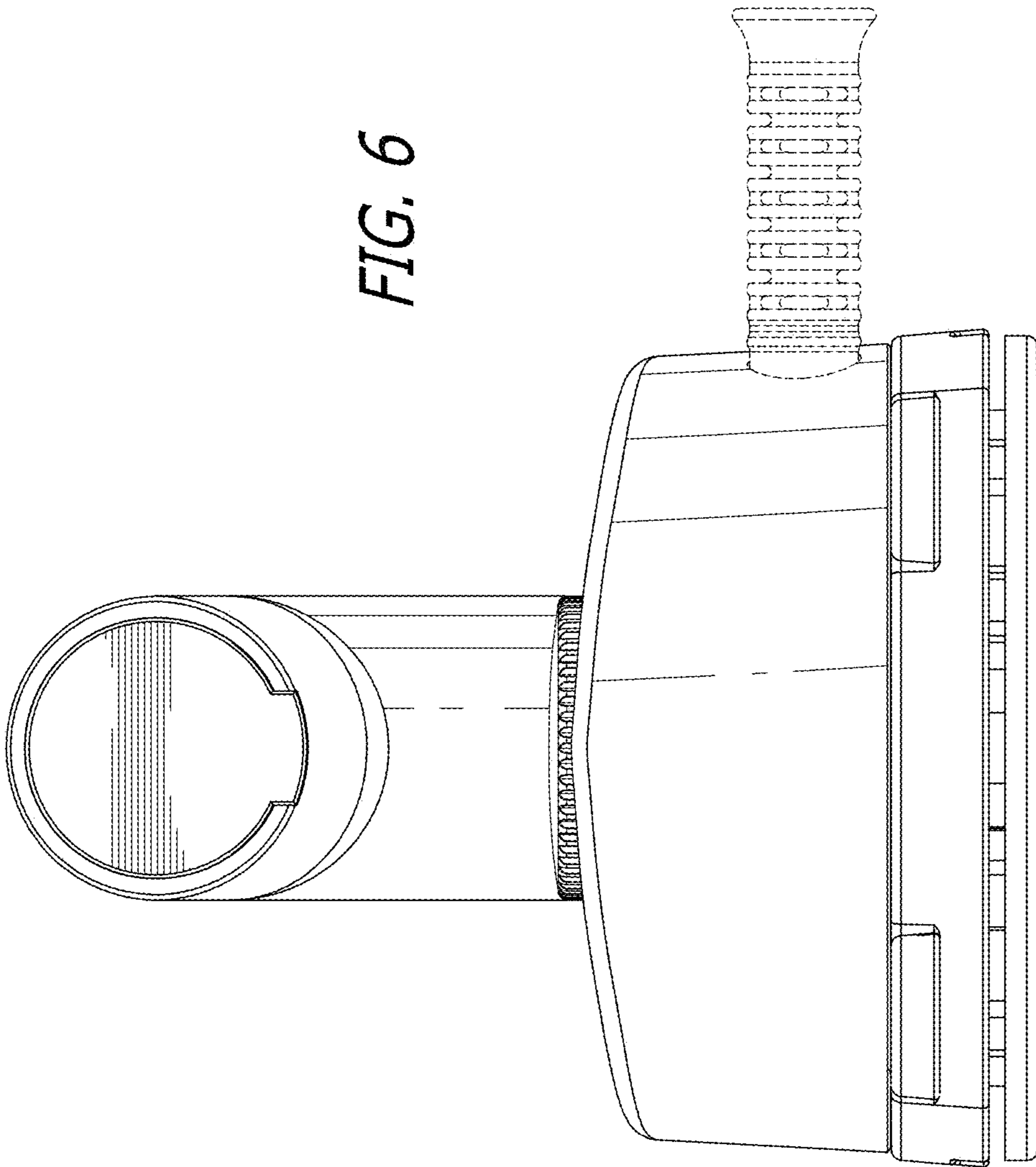


FIG. 5

FIG. 6



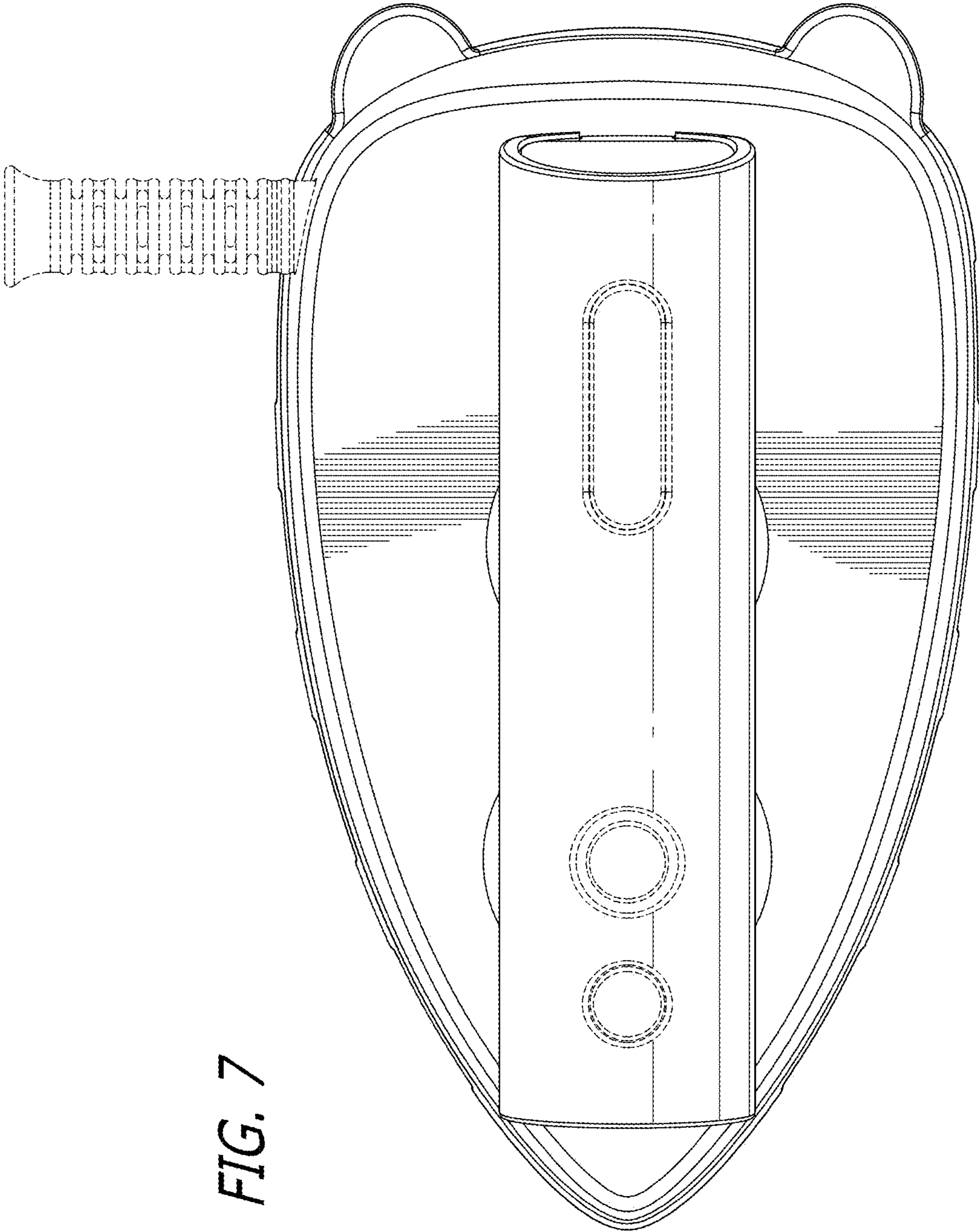


FIG. 7



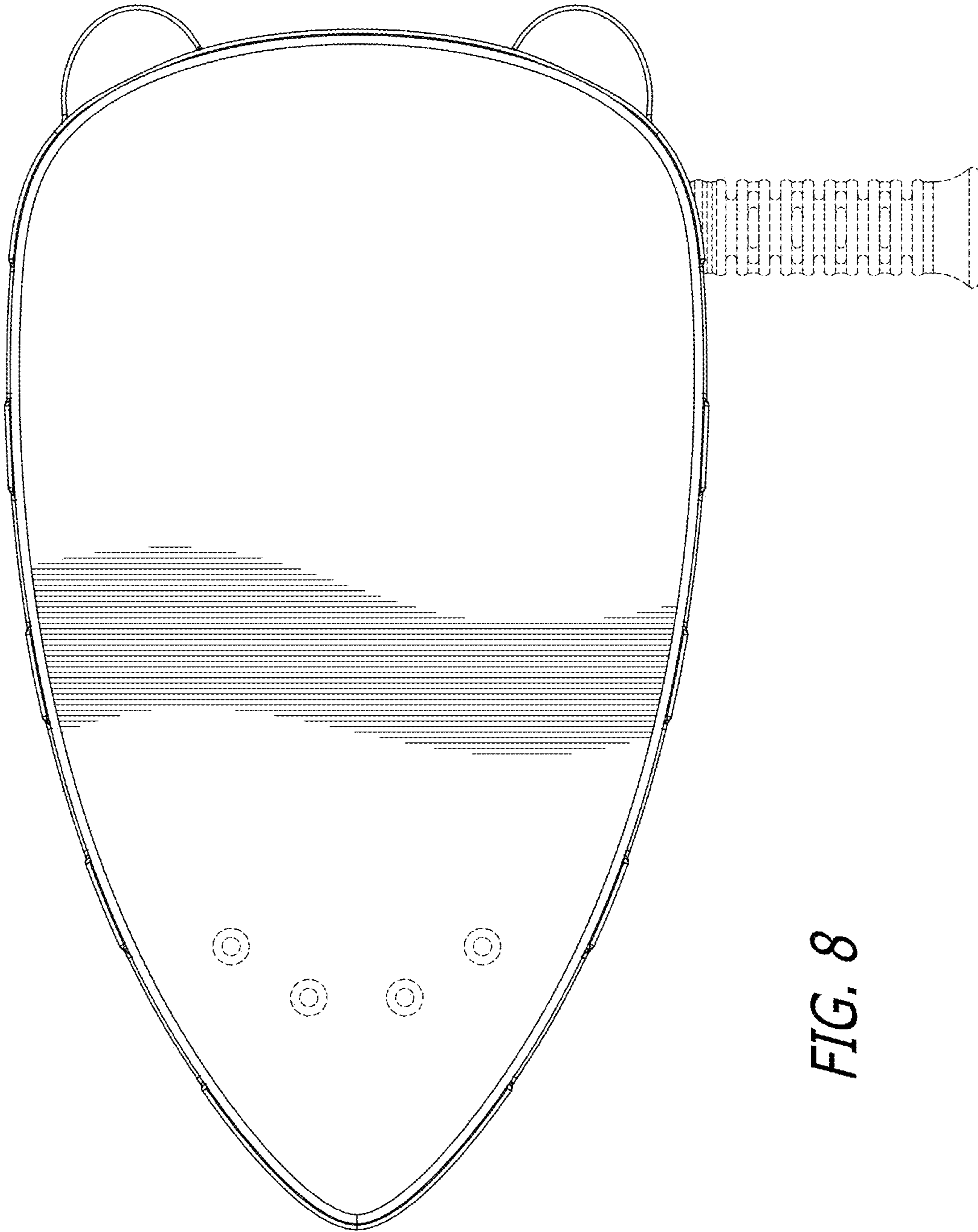


FIG. 8