



US00D925852S

(12) **United States Design Patent**
XiangZe

(10) **Patent No.:** **US D925,852 S**

(45) **Date of Patent:** **** Jul. 20, 2021**

(54) **DISH RACK**

(71) Applicant: **Chen XiangZe**, ShanTou (CN)

(72) Inventor: **Chen XiangZe**, ShanTou (CN)

(**) Term: **15 Years**

(21) Appl. No.: **29/770,592**

(22) Filed: **Feb. 13, 2021**

(51) **LOC (13) Cl.** **07-05**

(52) **U.S. Cl.**
USPC **D32/55**

(58) **Field of Classification Search**
USPC D32/55, 276, 3; D6/510, 525; D30/133;
211/41.5, 41.4, 41.3, 41.8; 361/679.4;
312/311, 333, 334.4; D7/354, 629
CPC A47J 47/20; A47J 2201/00; A47J 47/00;
B65D 35/02; B65D 35/22; B65D 35/56
See application file for complete search history.

(56) **References Cited**

U.S. PATENT DOCUMENTS

D554,819 S	*	11/2007	Shah	D32/55
D647,678 S		10/2011	Yang et al.		
D699,413 S	*	2/2014	Huang	D32/55
D750,337 S		2/2016	Duvigneau		
D776,385 S	*	1/2017	Evans	D32/55
D776,387 S		1/2017	Chen		

D799,133 S		10/2017	Wong		
D874,775 S	*	2/2020	Xie	D32/55
D887,098 S	*	6/2020	Li	D32/55
D915,708 S	*	4/2021	Tang	D32/55
D919,218 S	*	5/2021	Asis	D32/55
D921,316	*	6/2021	Zhou	D32/55
D921,318	*	6/2021	Ling	D32/55
D921,319	*	6/2021	Xie	D32/55
2005/0167374 A1	*	8/2005	Yang	A47L 15/502 211/41.18

* cited by examiner

Primary Examiner — Austin Murphy

(74) *Attorney, Agent, or Firm* — Rumit Ranjit Kanakia

(57) **CLAIM**

I claim the ornamental design for a dish rack, as shown and described.

DESCRIPTION

FIG. 1 is a perspective view of a dish rack showing my new design;

FIG. 2 is a Front view thereof;

FIG. 3 is a Back view thereof;

FIG. 4 is a Right-side view thereof;

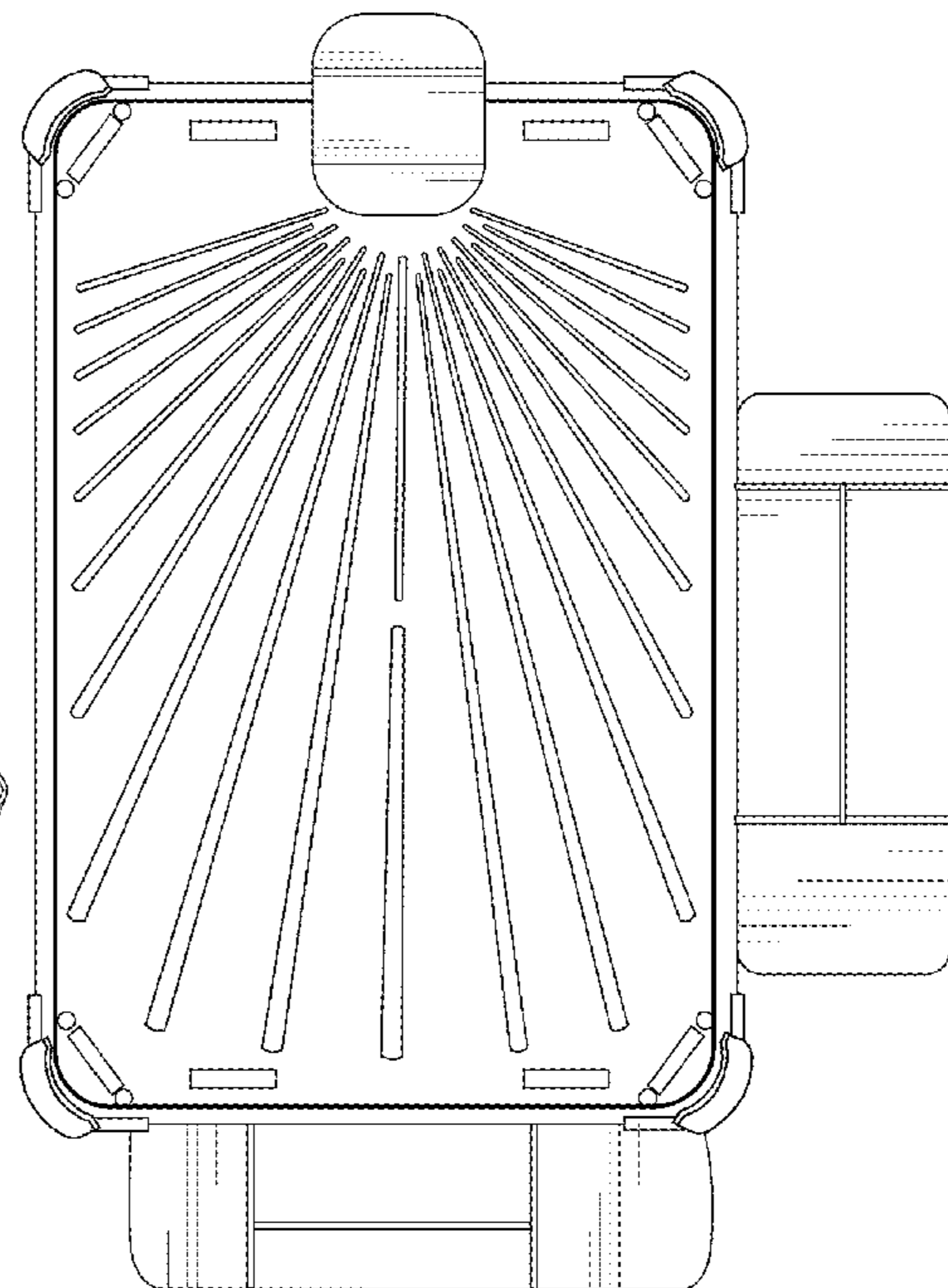
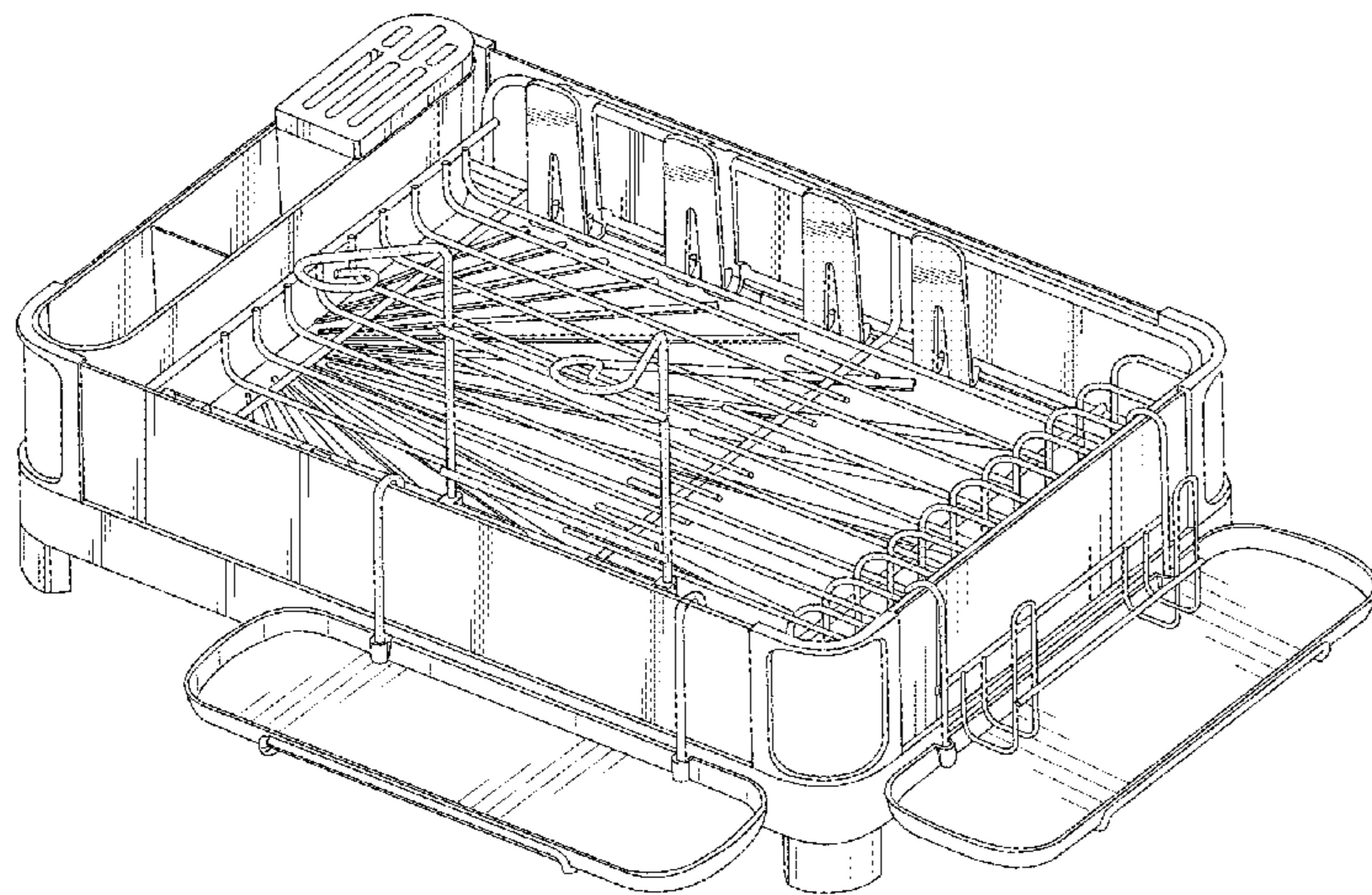
FIG. 5 is a Left-side view thereof;

FIG. 6 is a Top view thereof; and,

FIG. 7 is a Bottom view thereof.

The broken lines in the drawings depict portions of the dish rack that form no part of the claimed design.

1 Claim, 5 Drawing Sheets



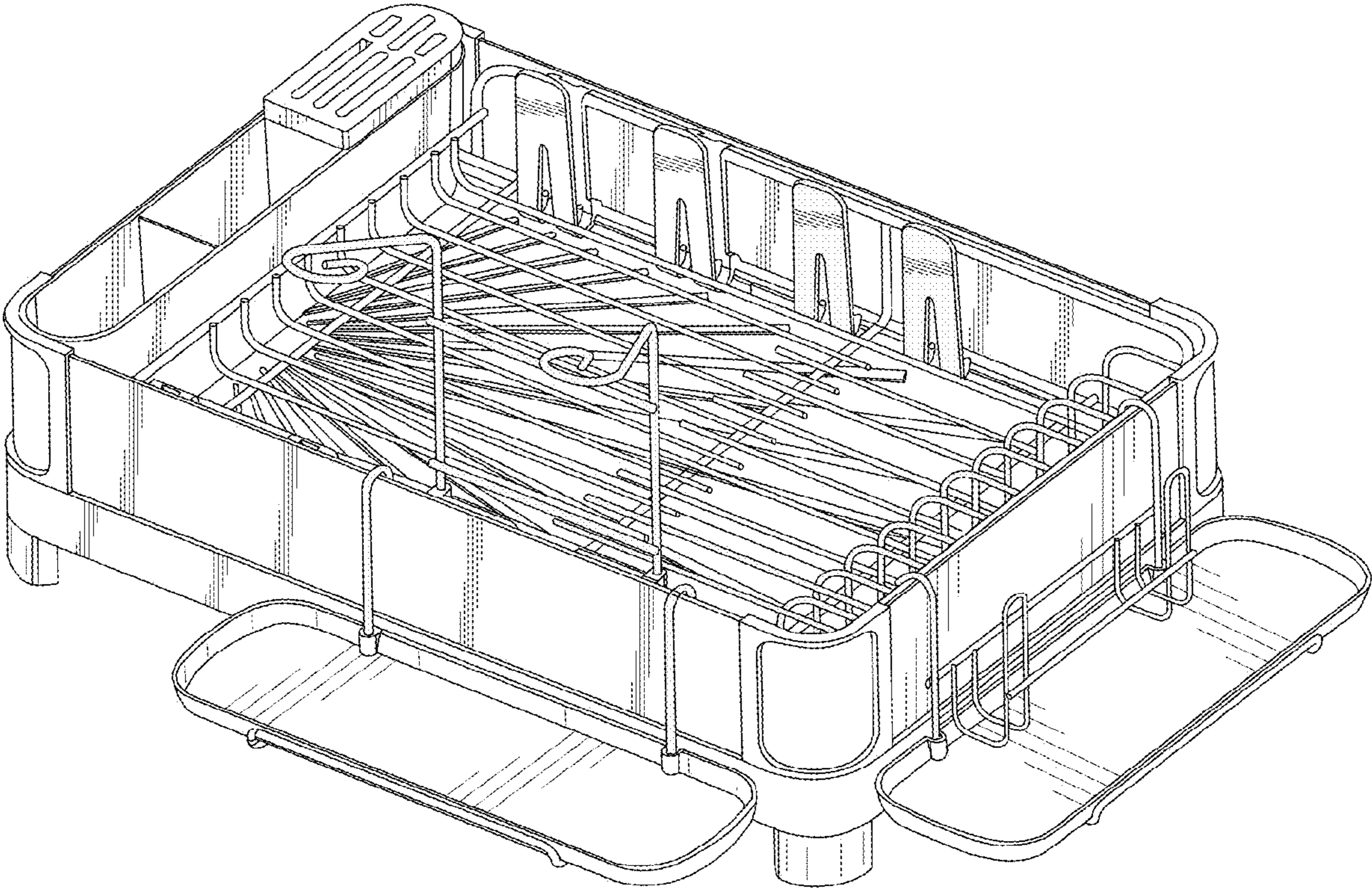


FIG. 1

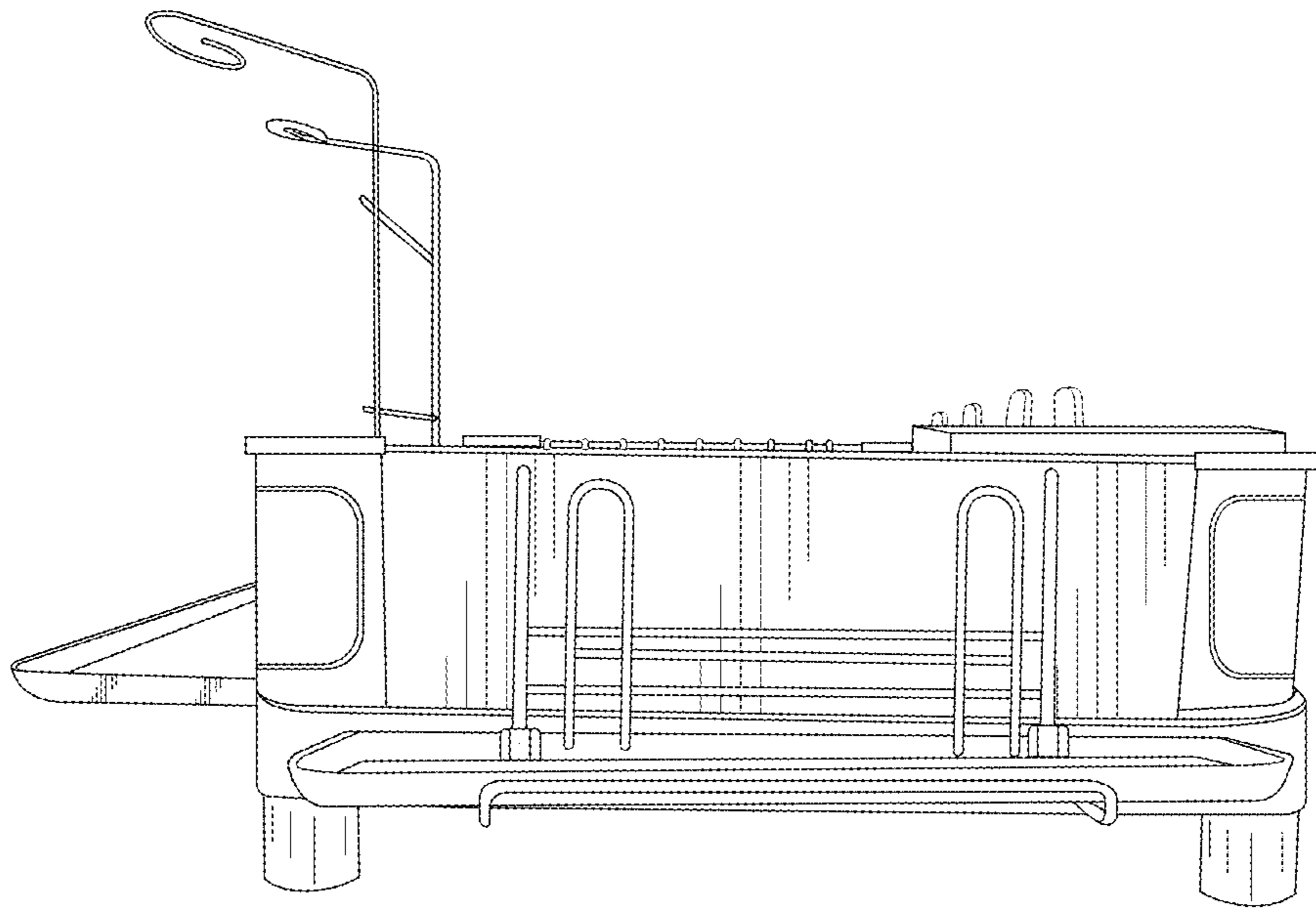


FIG. 2

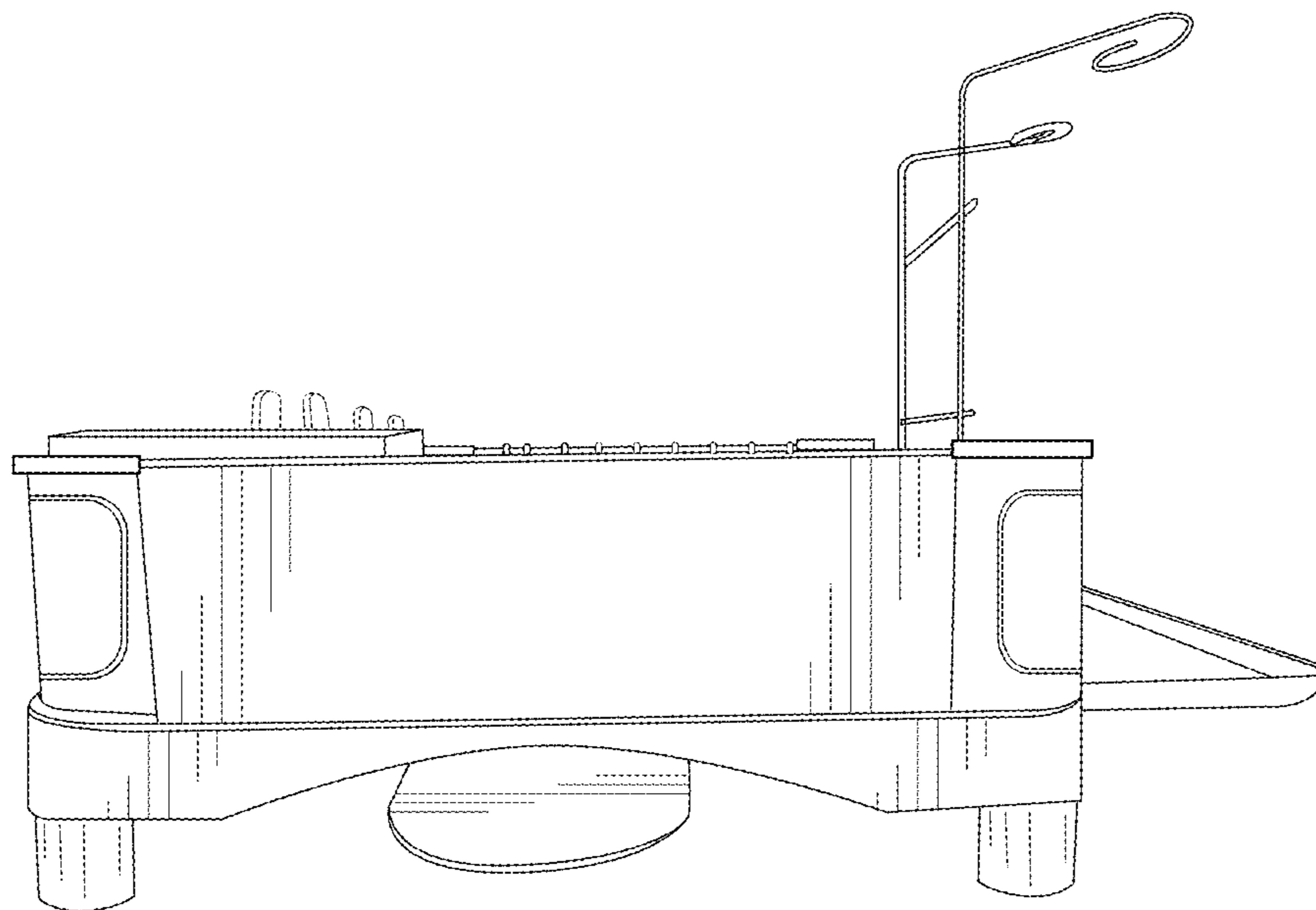


FIG. 3

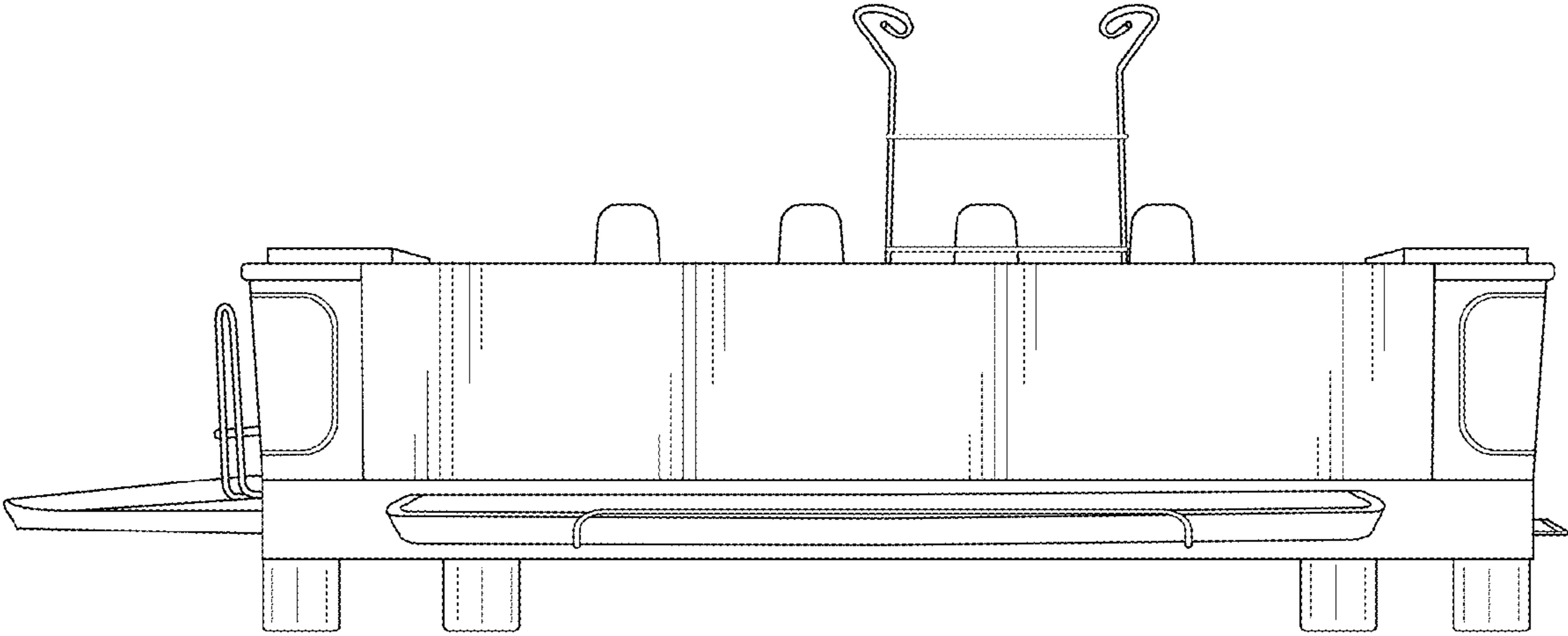


FIG. 4

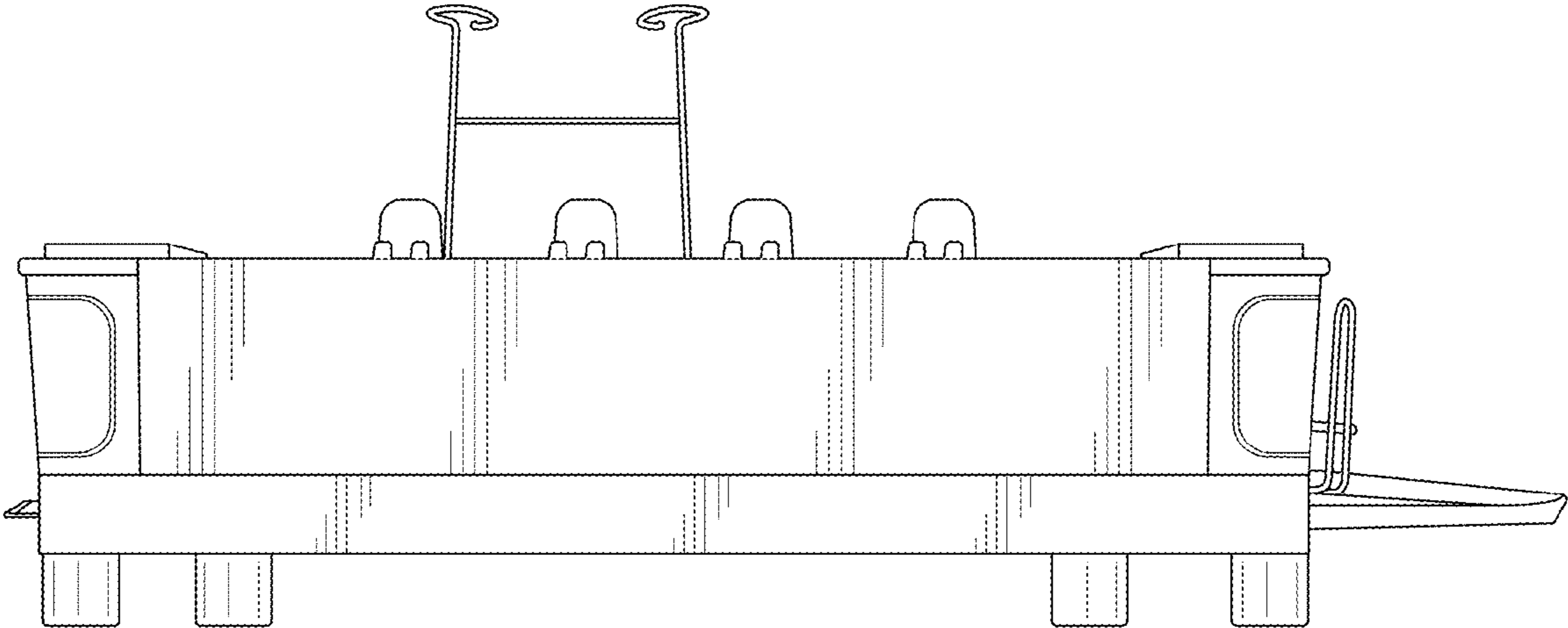


FIG. 5

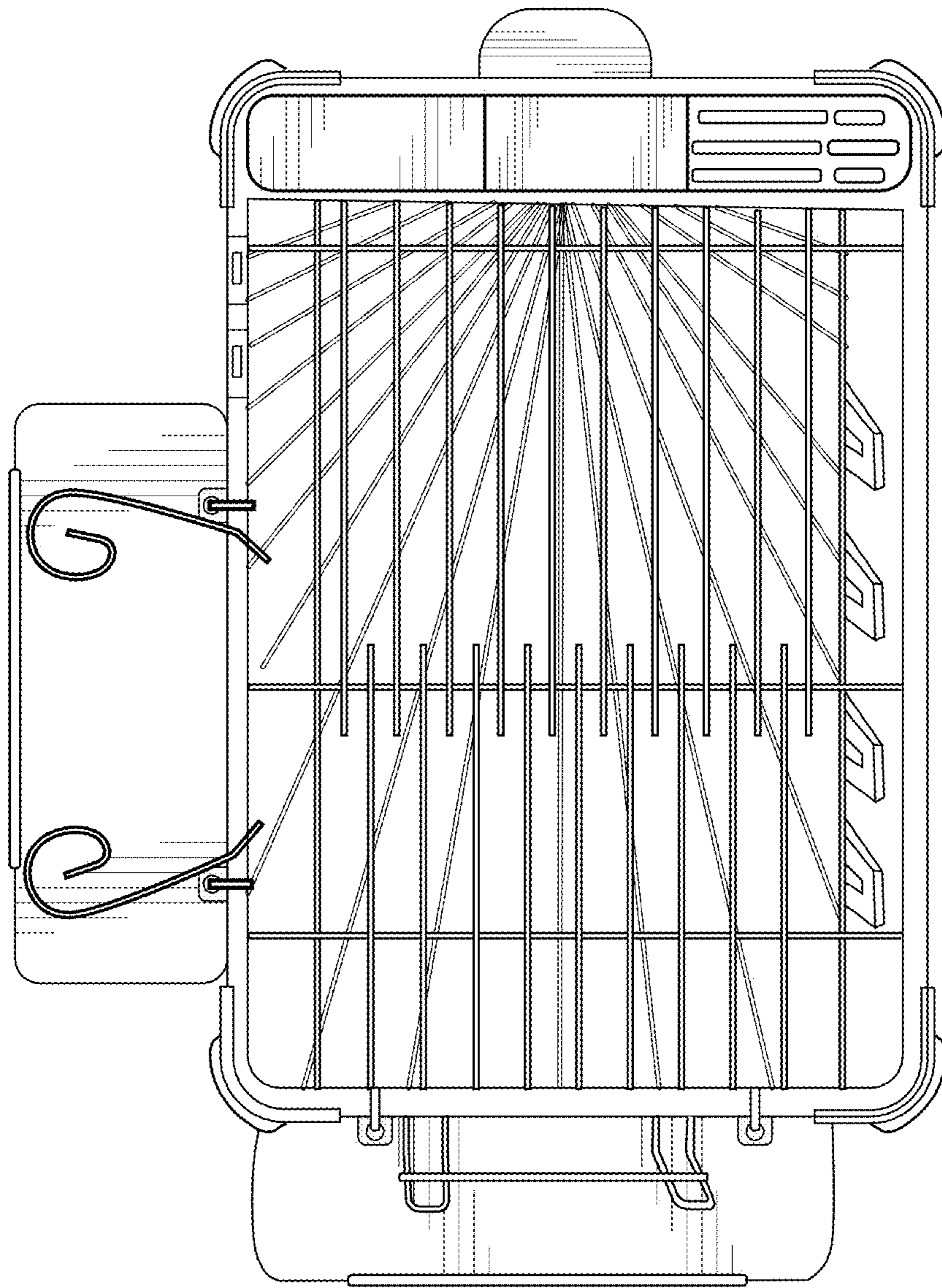


FIG. 6

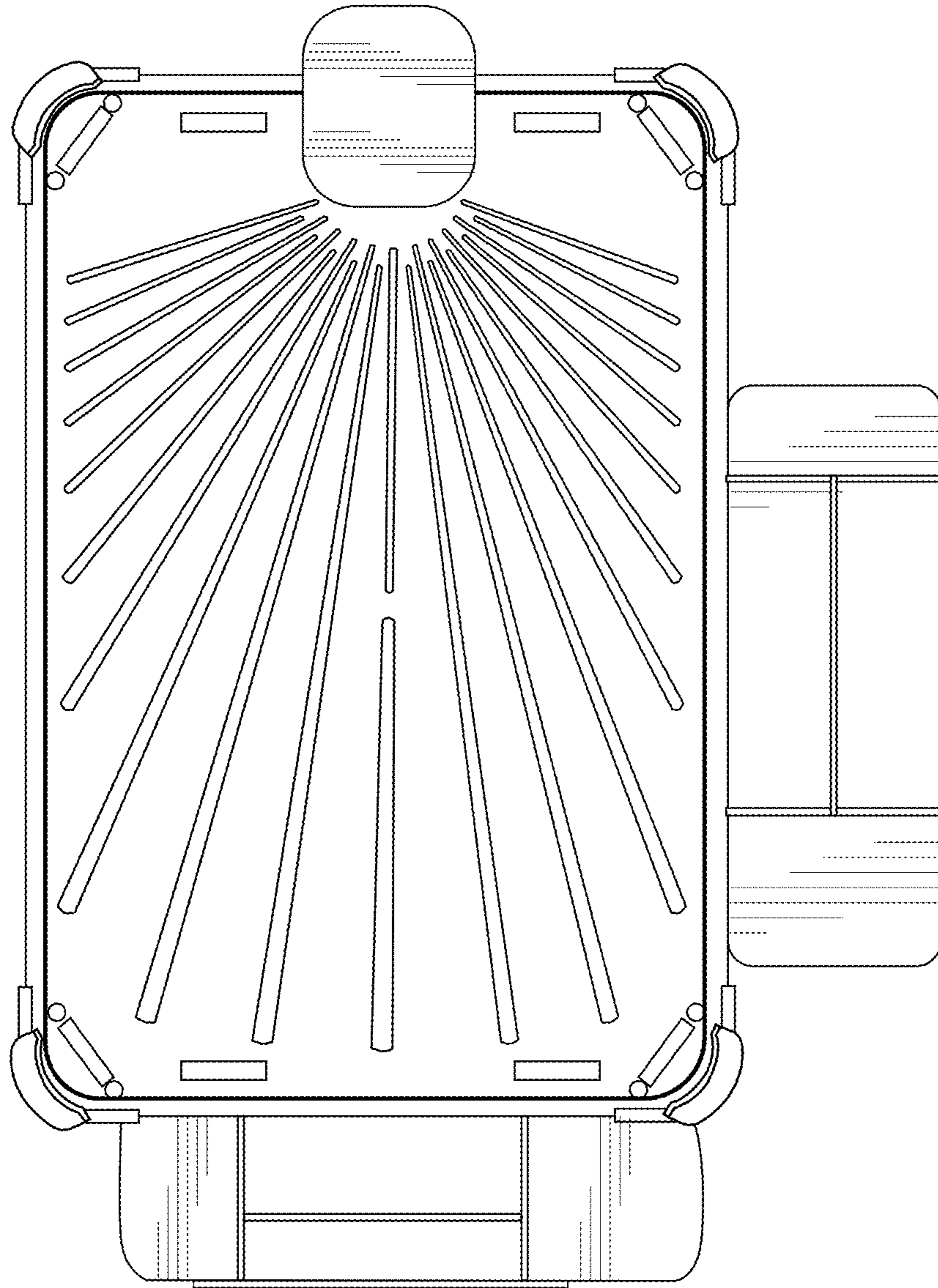


FIG. 7